



US00D847210S

(12) **United States Design Patent** (10) **Patent No.:** **US D847,210 S**
Adams (45) **Date of Patent:** **** Apr. 30, 2019**

(54) **COMPRESSORS**

(71) Applicant: **NEL HYDROGEN A/S**, Herning (DK)

(72) Inventor: **Joshua Andrew Adams**, Collingswood, NJ (US)

(**) Term: **15 Years**

(21) Appl. No.: **35/503,025**

(22) Filed: **Nov. 21, 2016**

(80) **Hague Agreement Data**

Int. Filing Date: **Nov. 21, 2016**

Int. Reg. No.: **DM/093607**

Int. Reg. Date: **Nov. 21, 2016**

Int. Reg. Pub. Date: **May 26, 2017**

(51) **LOC (11) Cl.** **15-02**

(52) **U.S. Cl.**
USPC **D15/9**
CPC **F02M 37/04** (2013.01)

(58) **Field of Classification Search**
USPC D15/7-9, 143, 148; D23/232, 225;
417/60, 235, 265, 321, 355, 358, 363,
417/359, 410.1, 415-416, 405, 900, 269,
417/539; 60/408, 412; 184/26-37;
415/140-147; 123/495, 509; 137/565.34
CPC F02M 37/04; F02M 37/14; F04B 53/92;
F04B 1/005; F04D 13/06; F04D 29/22;
F04D 29/046; F04D 29/2266; F01B 29/00
See application file for complete search history.

(56) **References Cited**

U.S. PATENT DOCUMENTS

D282,471 S * 2/1986 Bearint D15/9
D352,291 S * 11/1994 Ikeda D15/7
D381,340 S * 7/1997 Takenaka D15/9

D462,364 S * 9/2002 Fujita D15/9
D466,524 S * 12/2002 Makino D15/9
D466,526 S * 12/2002 Fujii D15/9
D537,452 S * 2/2007 Chu D15/9
D538,301 S * 3/2007 Chu D15/9
D540,823 S * 4/2007 An D15/9
D583,392 S * 12/2008 Chu D15/9
D603,876 S * 11/2009 Chu D15/9
D603,877 S * 11/2009 Chu D15/9
D613,633 S * 4/2010 Leu D15/9
D623,666 S * 9/2010 Chu D15/9
D625,338 S * 10/2010 Nam D15/9
D668,268 S * 10/2012 Haener D15/9
D671,561 S * 11/2012 Nam D15/9
D673,179 S * 12/2012 Nam D15/9
D673,180 S * 12/2012 Nam D15/9
D673,584 S * 1/2013 Nam D15/7
D689,526 S * 9/2013 Tsai D15/9
D695,789 S * 12/2013 Nam D15/9
D817,474 S * 5/2018 VanHorn D23/386
D825,616 S * 8/2018 Monden D15/9
D826,285 S * 8/2018 Yaegashi D15/9

* cited by examiner

Primary Examiner — Richard E Chilcot

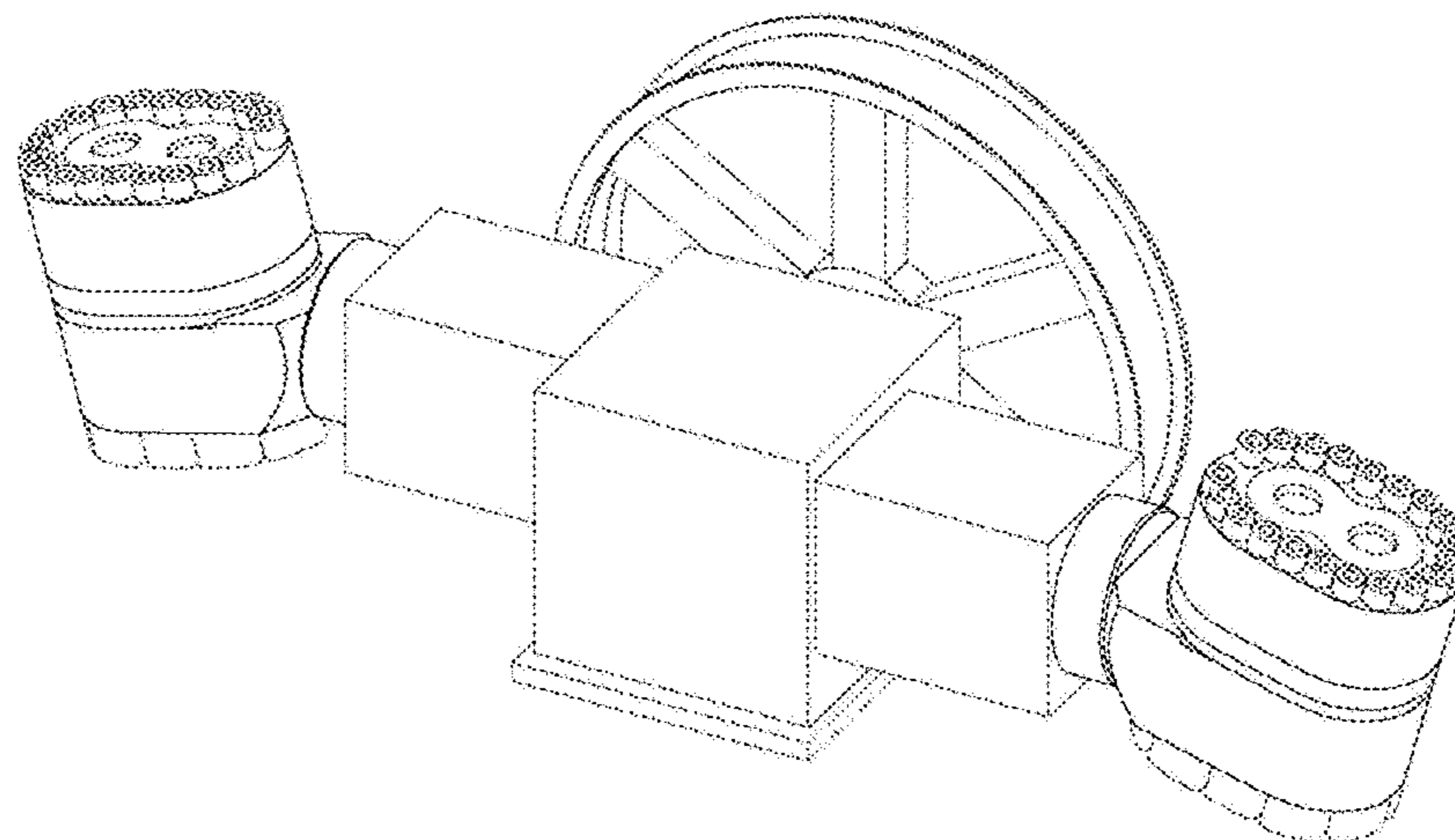
(57) **CLAIM**

The ornamental design for compressors, as shown and described.

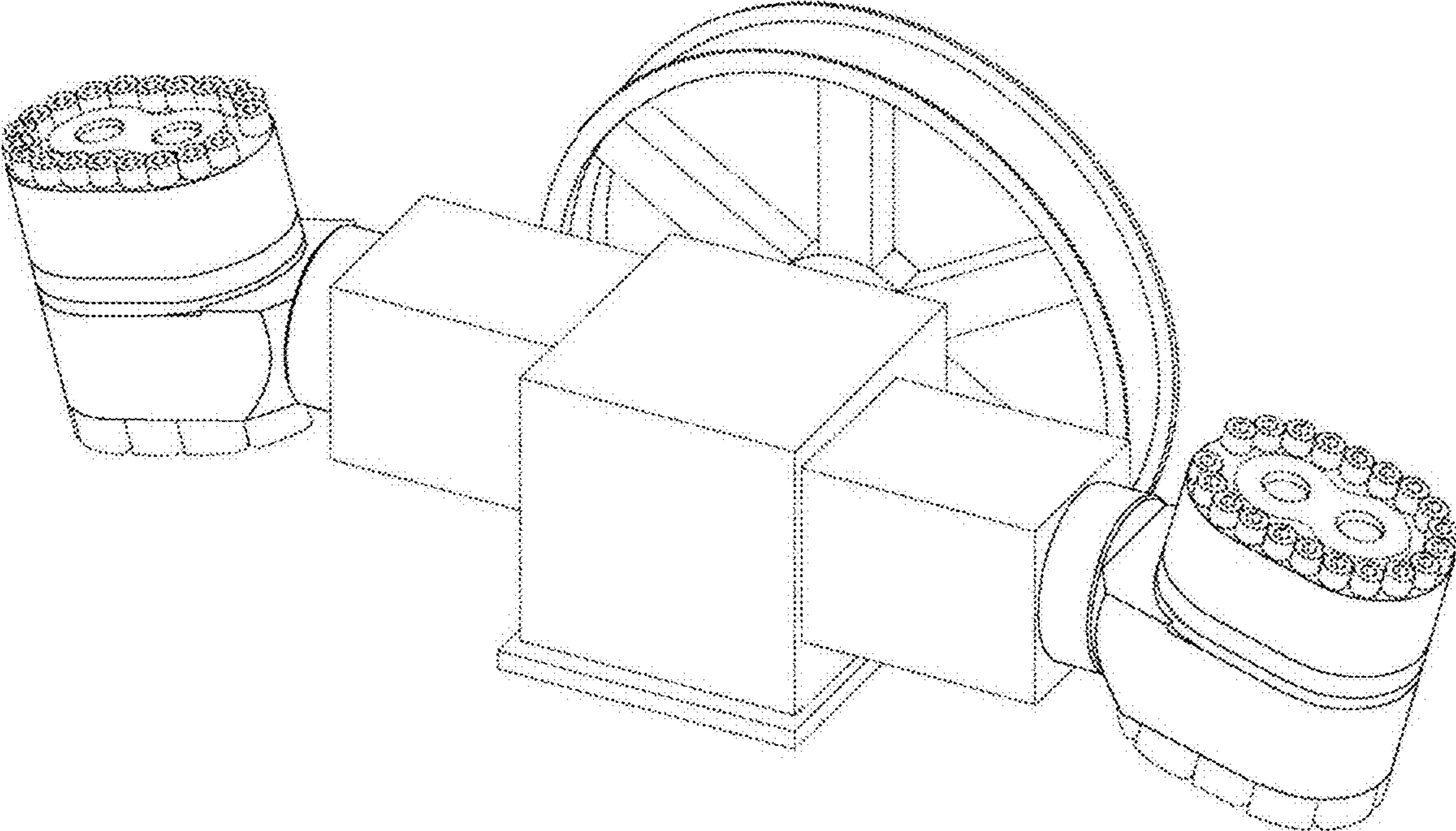
DESCRIPTION

4.1: is a perspective view of compressors illustrating my new design;
4.2: is a front view thereof;
4.3: is a right side view thereof;
4.4: is a top view thereof;
4.5: is a rear view thereof; and
4.6: is a left side view thereof.
Portions shown in broken lines form no part of the claimed design.

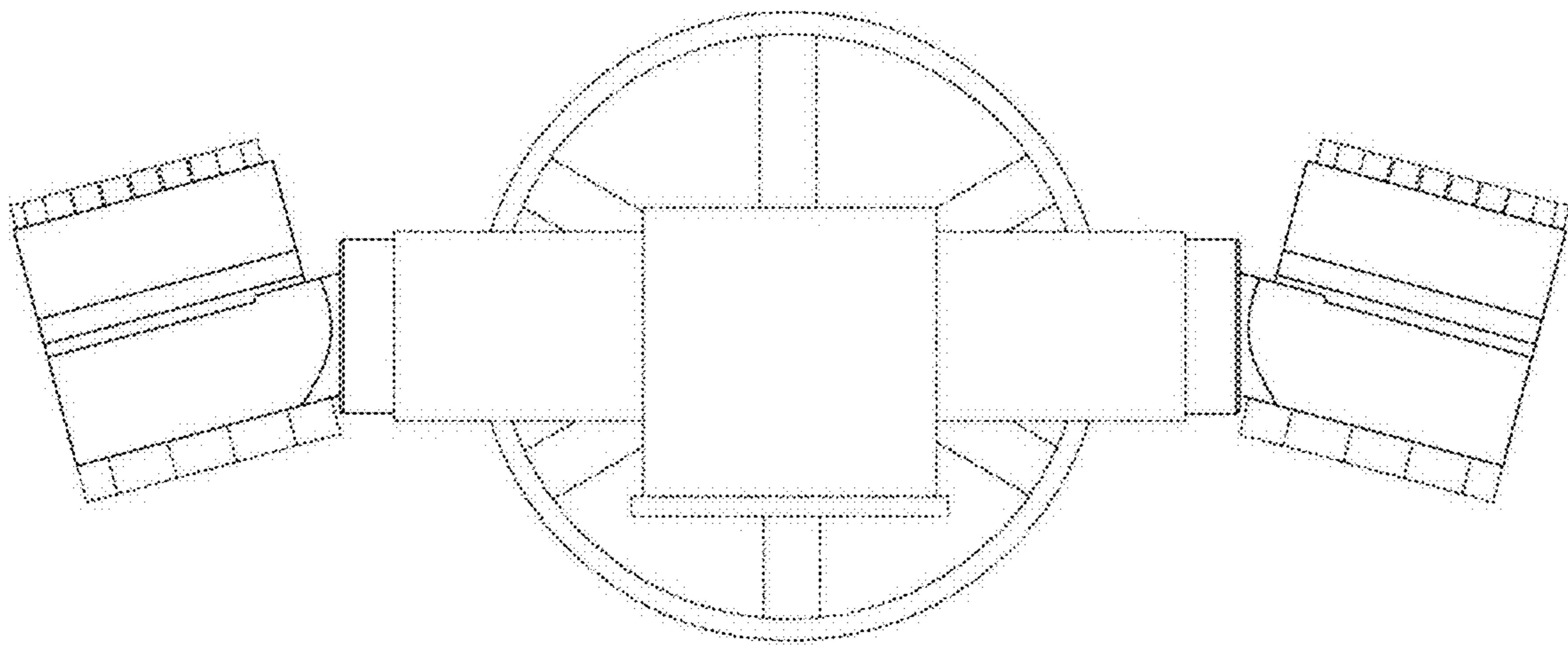
1 Claim, 6 Drawing Sheets



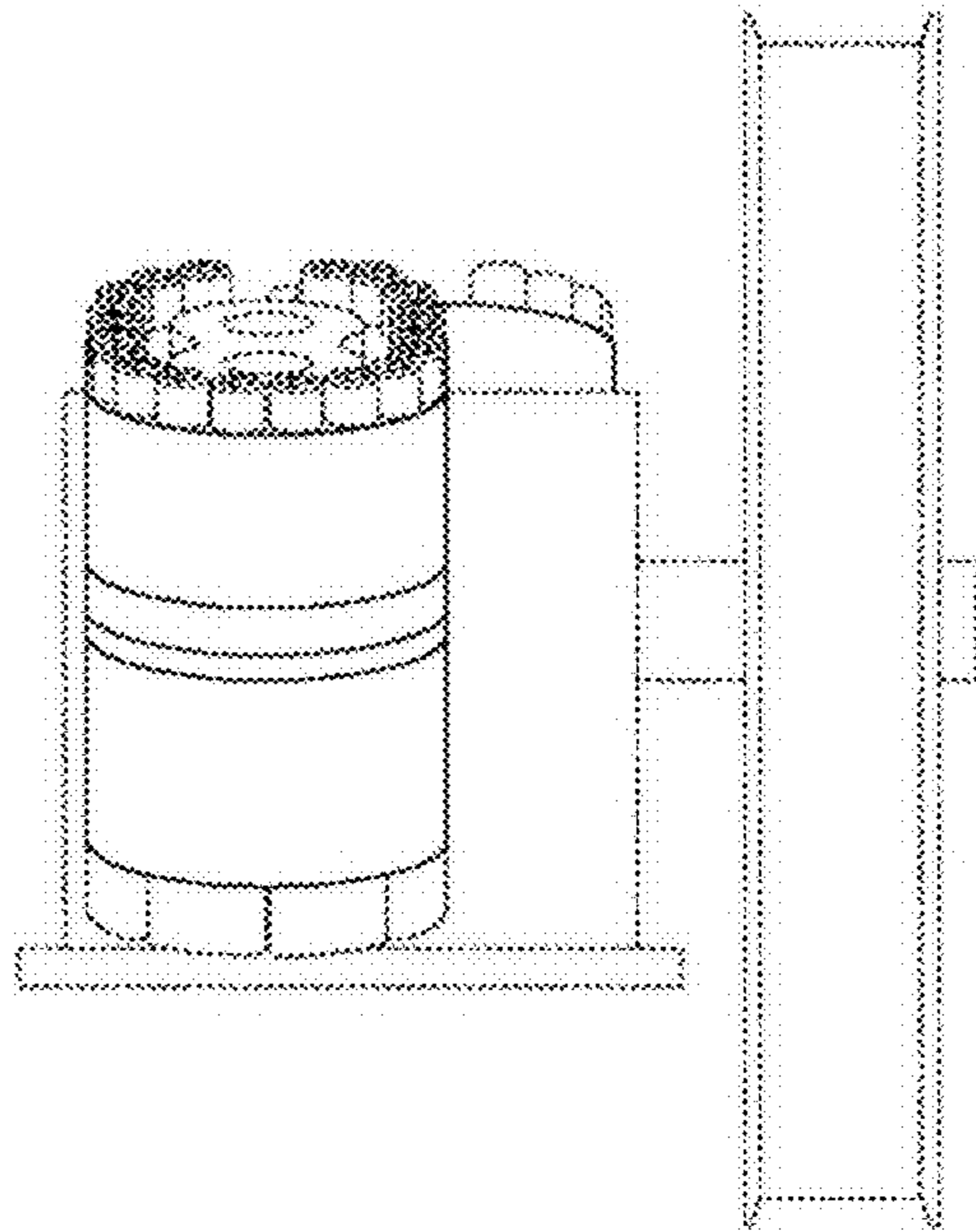
4.1



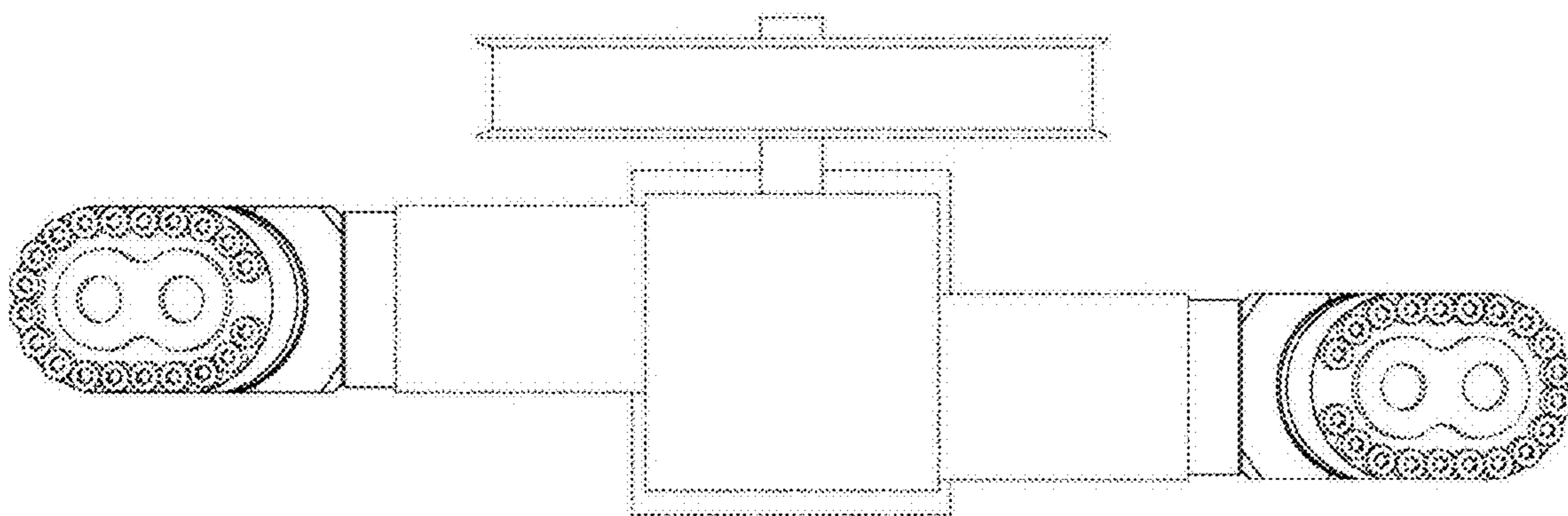
4.2



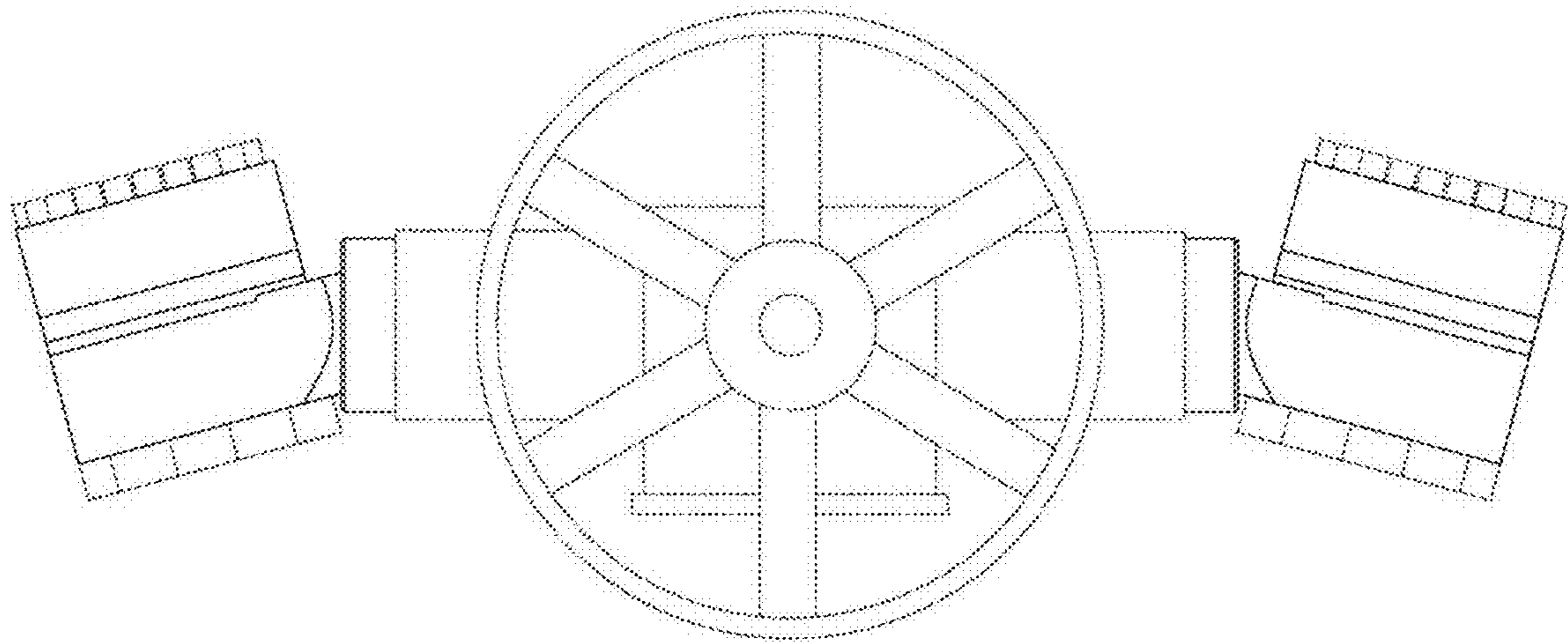
4.3



4.4



4.5



4.6

