



US00D847207S

(12) **United States Design Patent** (10) **Patent No.:** **US D847,207 S**
Uchiyama et al. (45) **Date of Patent:** **** Apr. 30, 2019**

(54) **OUTBOARD MOTOR**

(71) Applicant: **SUZUKI MOTOR CORPORATION**,
Shizuoka-Ken (JP)

(72) Inventors: **Yoshitaka Uchiyama**, Hamamatsu (JP);
Atsushi Otani, Hamamatsu (JP);
Hisashi Okamoto, Hamamatsu (JP)

(73) Assignee: **SUZUKI MOTOR CORPORATION**,
Hamamatsu-Shi, Shizuoka-Ken (JP)

(**) Term: **15 Years**

(21) Appl. No.: **35/504,724**

(22) Filed: **Oct. 2, 2017**

(80) **Hague Agreement Data**

Int. Filing Date: **Oct. 2, 2017**
Int. Reg. No.: **DM/097891**
Int. Reg. Date: **Oct. 2, 2017**
Int. Reg. Pub. Date: **Apr. 6, 2018**

(30) **Foreign Application Priority Data**

May 17, 2017 (JP) 2017-010452

(51) **LOC (11) Cl.** **15-01**

(52) **U.S. Cl.**
USPC **D15/4**
CPC **B63H 23/30** (2013.01)

(58) **Field of Classification Search**

USPC D15/4, 5
CPC .. B63H 20/32; B63H 2020/323; B63H 23/30;
B63H 23/08; B63H 23/22; B63H 15/14;
B63H 5/15; B63H 21/165; B63H 21/17;
B63H 21/38; B63H 5/125; B63B 35/68

See application file for complete search history.

(56) **References Cited**

U.S. PATENT DOCUMENTS

5,449,306	A *	9/1995	Nakayasu	B63H 5/10 192/48.7
5,522,703	A *	6/1996	Okamoto	B63H 23/321 416/93 A
5,529,520	A *	6/1996	Iwashita	B63H 5/10 440/66
5,791,951	A *	8/1998	Staerzl	B63H 5/10 440/75
D403,684	S *	1/1999	Oishi	D15/4
D712,931	S *	9/2014	Matsumoto	D15/4
9,481,437	B2 *	11/2016	Achiwa	B63H 23/30
9,731,803	B2 *	8/2017	Achiwa	B63H 23/30
D835,675	S *	12/2018	Nakaura	D15/4
2016/0200410	A1 *	7/2016	Hansen	B63B 1/18 440/53

OTHER PUBLICATIONS

https://www.youtube.com/watch?v=chfDSJ2d_a4, Yamaha Outboards TRP Propellers Dec. 19, 2011 (Year: 2011).*

* cited by examiner

Primary Examiner — Richard E Chilcot
(74) *Attorney, Agent, or Firm* — Lando & Anastasi, LLP

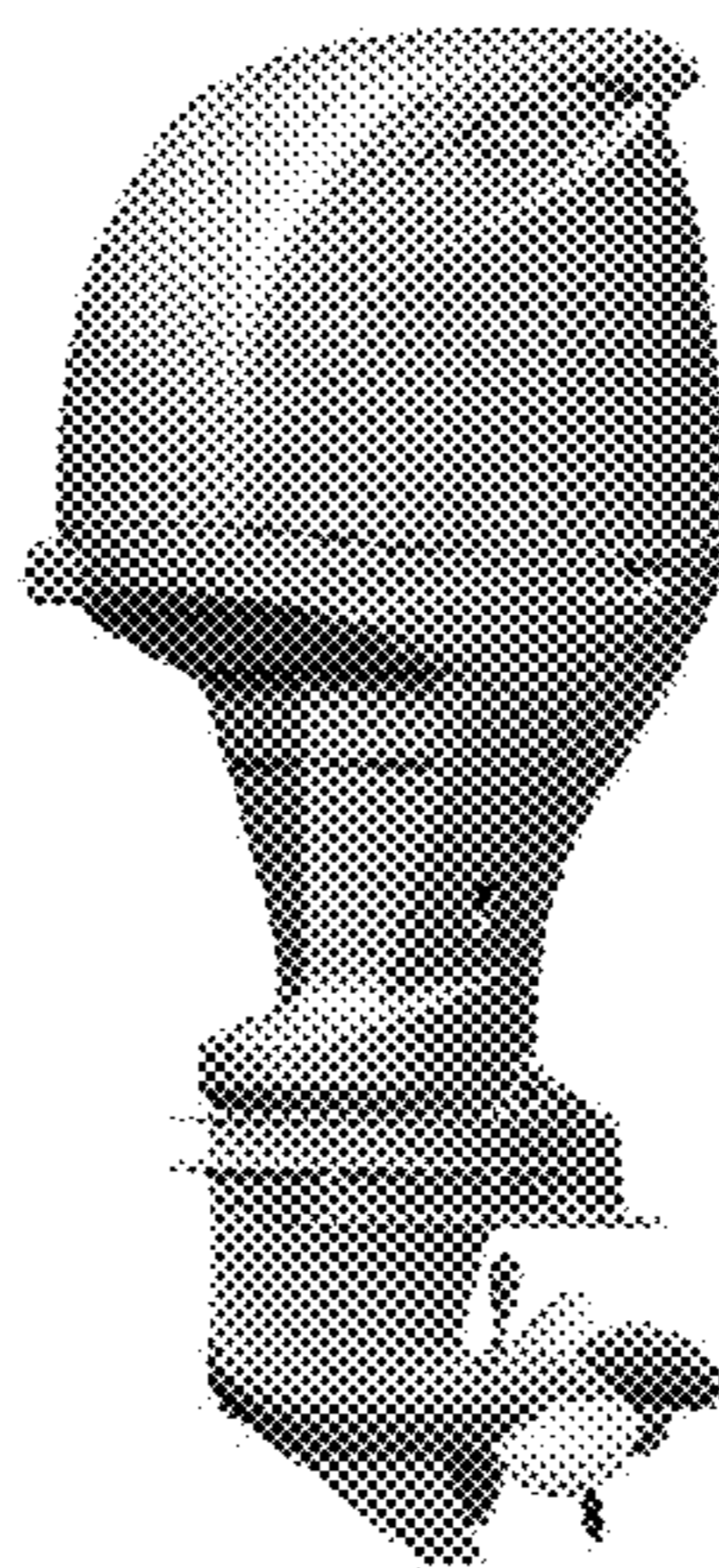
(57) **CLAIM**

The ornamental design for an outboard motor, as shown and described.

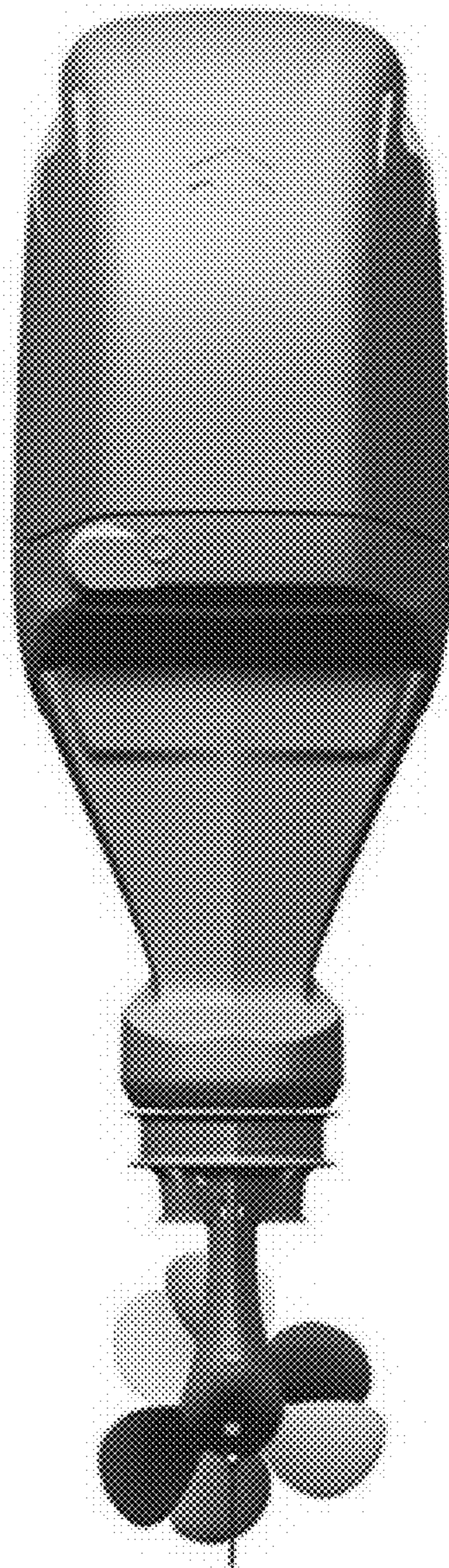
DESCRIPTION

- 1. Outboard motor
- 1.1 : Front
- 1.2 : Back
- 1.3 : Top
- 1.4 : Bottom
- 1.5 : Right
- 1.6 : Left
- 1.7 : Perspective
- 1.8 : Perspective
- 1.9 : Perspective
- 1.10 : Perspective

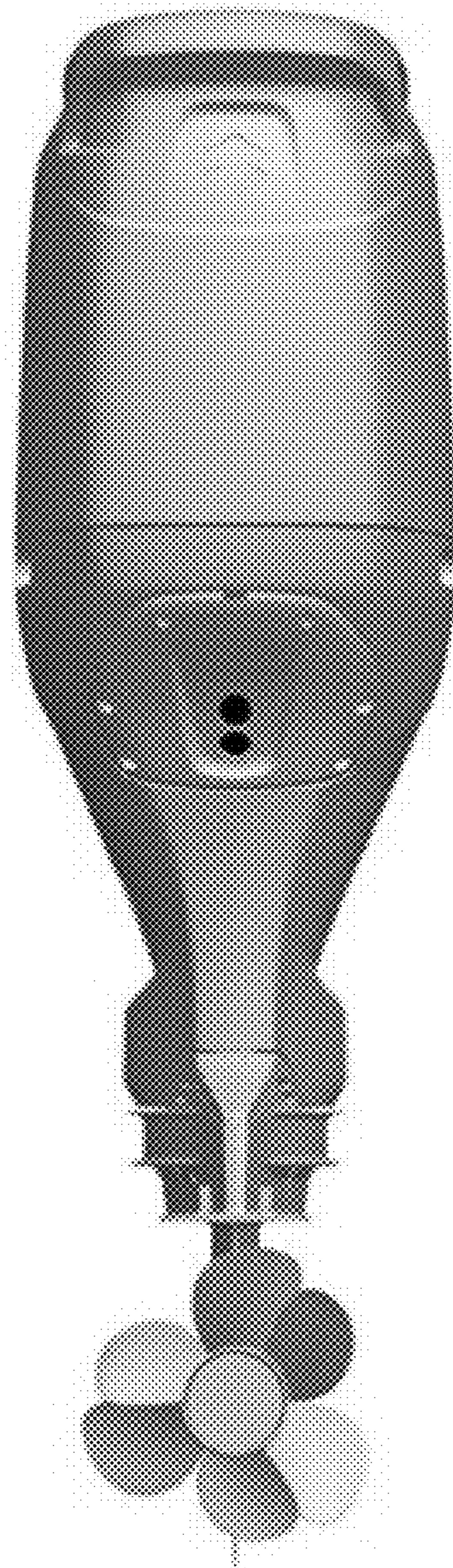
1 Claim, 10 Drawing Sheets



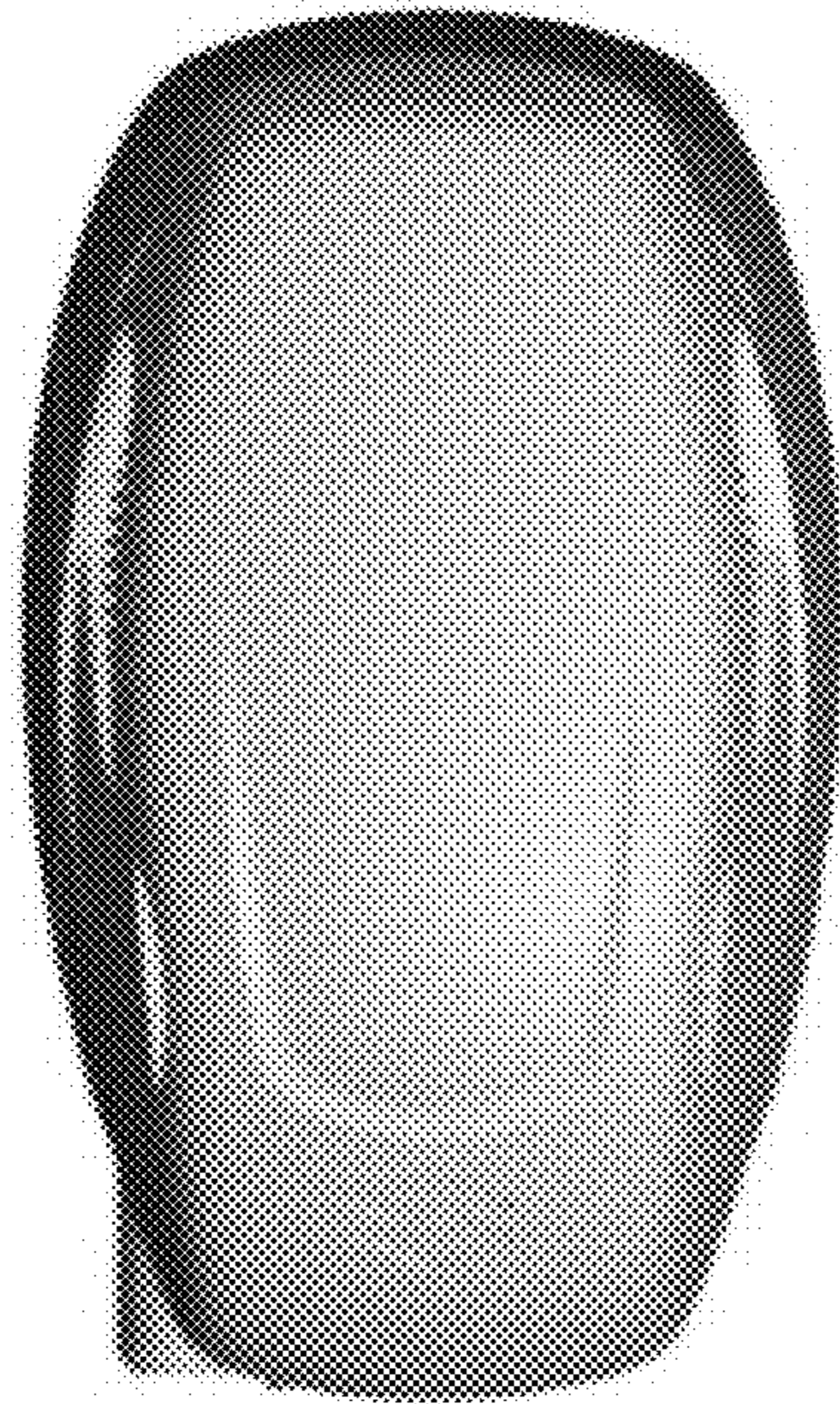
1.1



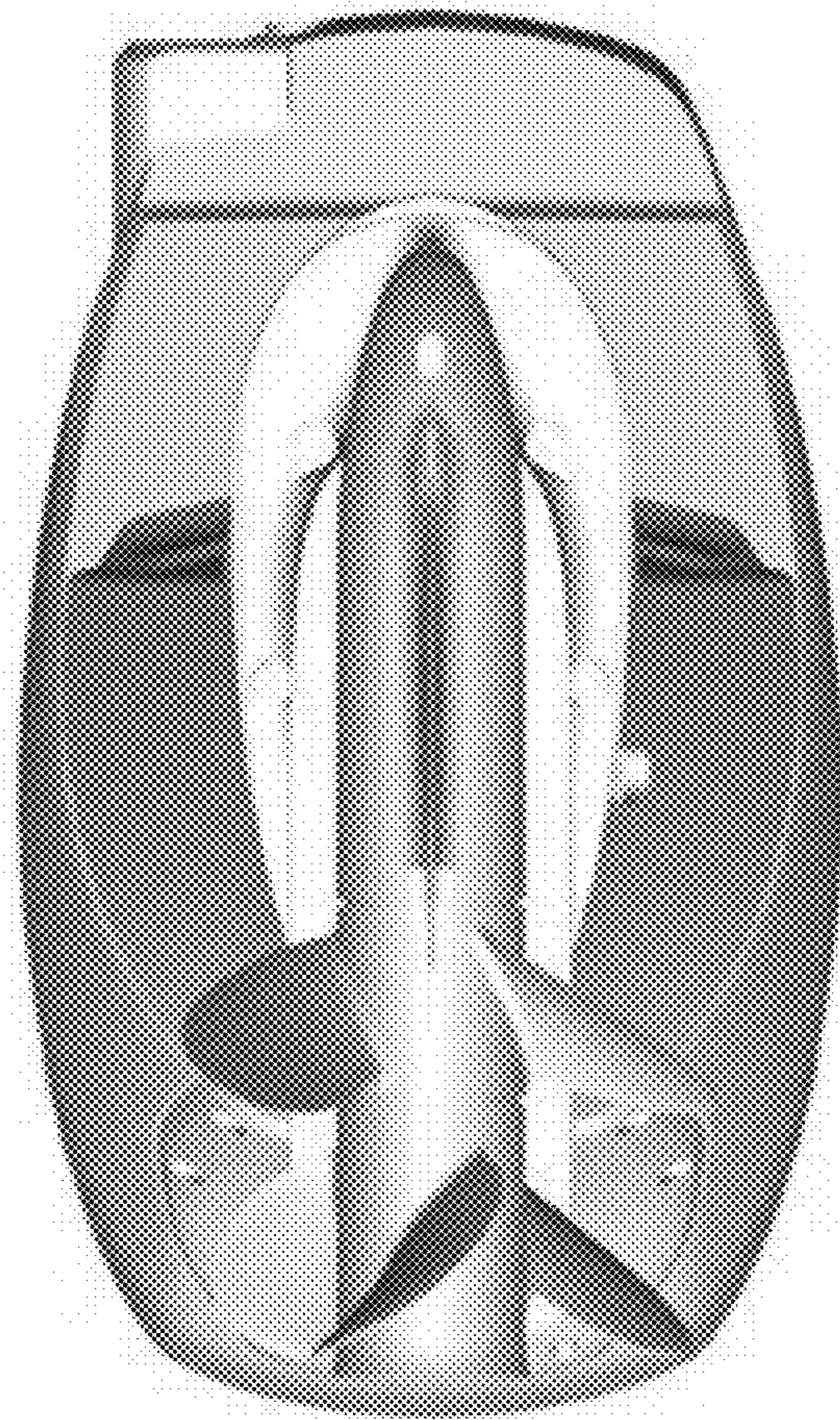
1.2



1.3



1.4



1.5



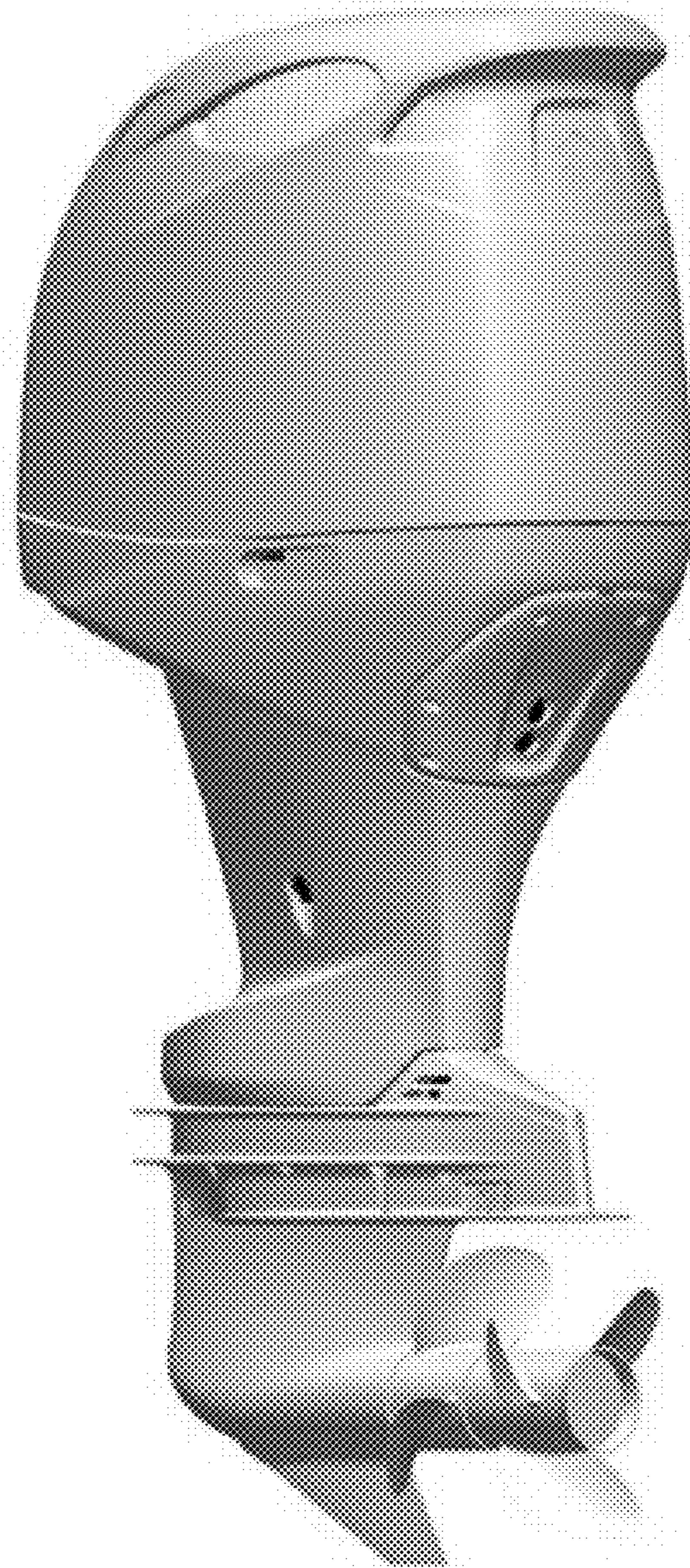
1.6



1.7



1.8



1.9



1.10

