



US00D847202S

(12) **United States Design Patent** (10) **Patent No.:** **US D847,202 S**
Flynn (45) **Date of Patent:** **** Apr. 30, 2019**

(54) **PORTION OF A COMMUNICATIONS
TERMINAL DISPLAY SCREEN WITH A
DYNAMIC ICON**

(71) Applicant: **Michael Flynn**, Newtown, PA (US)

(72) Inventor: **Michael Flynn**, Newtown, PA (US)

(**) Term: **15 Years**

(21) Appl. No.: **29/601,186**

(22) Filed: **Apr. 20, 2017**

Related U.S. Application Data

(63) Continuation-in-part of application No. 29/459,358,
filed on Jun. 28, 2013, now abandoned.

(51) **LOC (11) Cl.** **14-04**

(52) **U.S. Cl.**
USPC **D14/489**

(58) **Field of Classification Search**
USPC D14/485–495
CPC G06F 3/0481; G06F
2203/04803–2203/04805; G06F 3/048;
H04L 12/581; H04L 12/1813; H04L
51/32; G06Q 50/01; G06T 13/80; G06T
15/02; H04M 1/72519–1/72561

See application file for complete search history.

(56) **References Cited**

U.S. PATENT DOCUMENTS

5,048,749	A *	9/1991	Wischusen, III	B65D 75/008 229/125.02
D400,870	S *	11/1998	Christensen	D14/489
D469,442	S *	1/2003	Bohlen, Jr.	D14/485
D601,155	S *	9/2009	Sogabe	D14/341
D649,157	S *	11/2011	Skidmore	D14/492
D652,428	S *	1/2012	Anzures	D14/489

(Continued)

Primary Examiner — Robin V Webster
Assistant Examiner — Rachel A Voorhies

(74) *Attorney, Agent, or Firm* — The Belles Group, P.C.

(57) **CLAIM**

The ornamental design for a portion of a communications terminal display screen with a dynamic icon, as shown and described.

DESCRIPTION

The patent or application file contains at least one drawing executed in color. Copies of this patent or patent application publication with color drawing(s) will be provided by the Office upon request and payment of the necessary fee.

FIG. 1 is the first image in a sequence for a display screen showing a dynamic user icon with the new design;

FIG. 2 is the second image thereof;

FIG. 3 is the third image thereof;

FIG. 4 is the fourth image thereof;

FIG. 5 is the fifth image thereof;

FIG. 6 is the sixth image thereof;

FIG. 7 is the seventh image thereof;

FIG. 8 is the eighth image thereof;

FIG. 9 is the ninth image thereof;

FIG. 10 is the tenth image thereof;

FIG. 11 is the eleventh image thereof;

FIG. 12 is the twelfth image thereof;

FIG. 13 is the thirteenth image thereof;

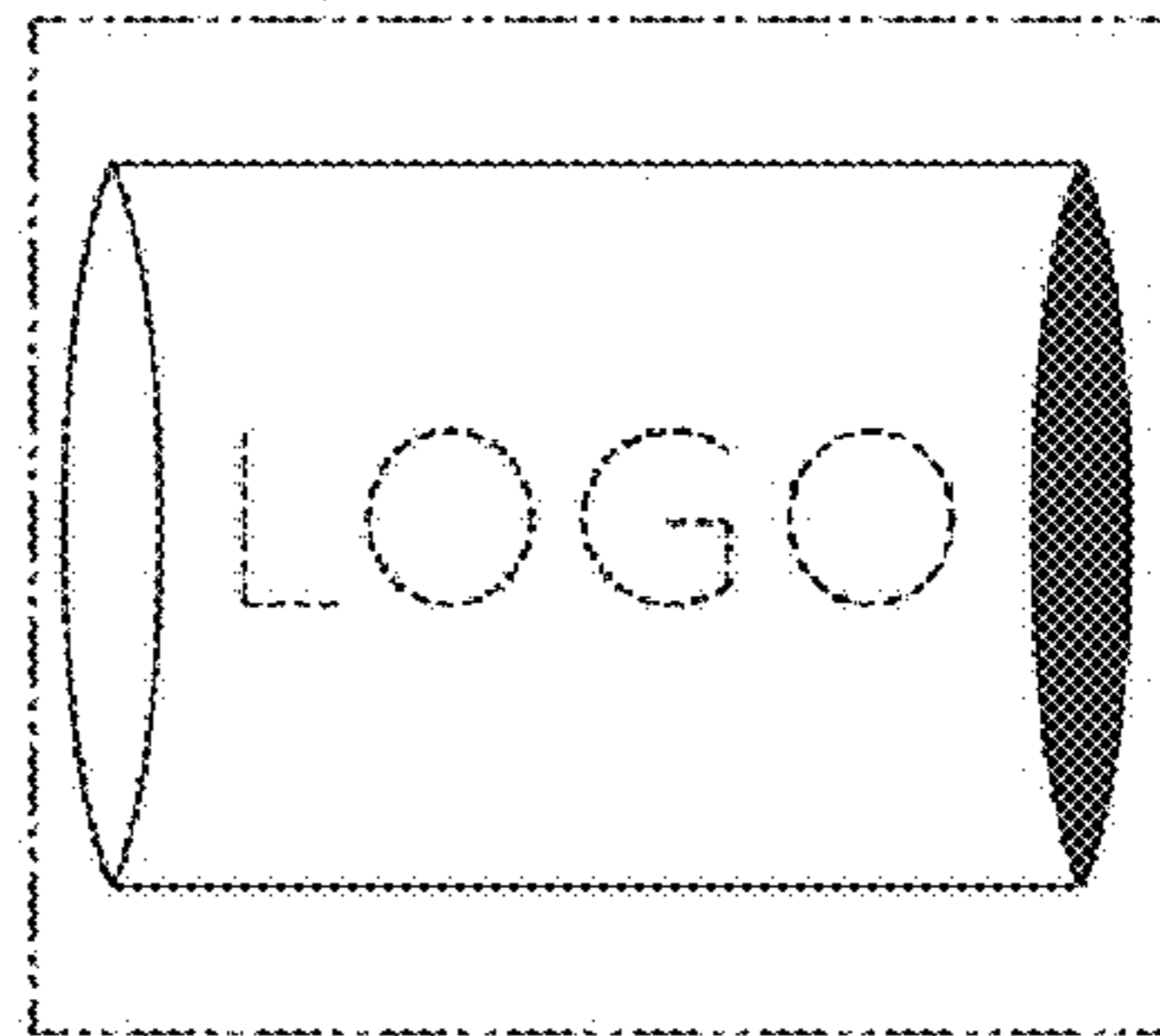
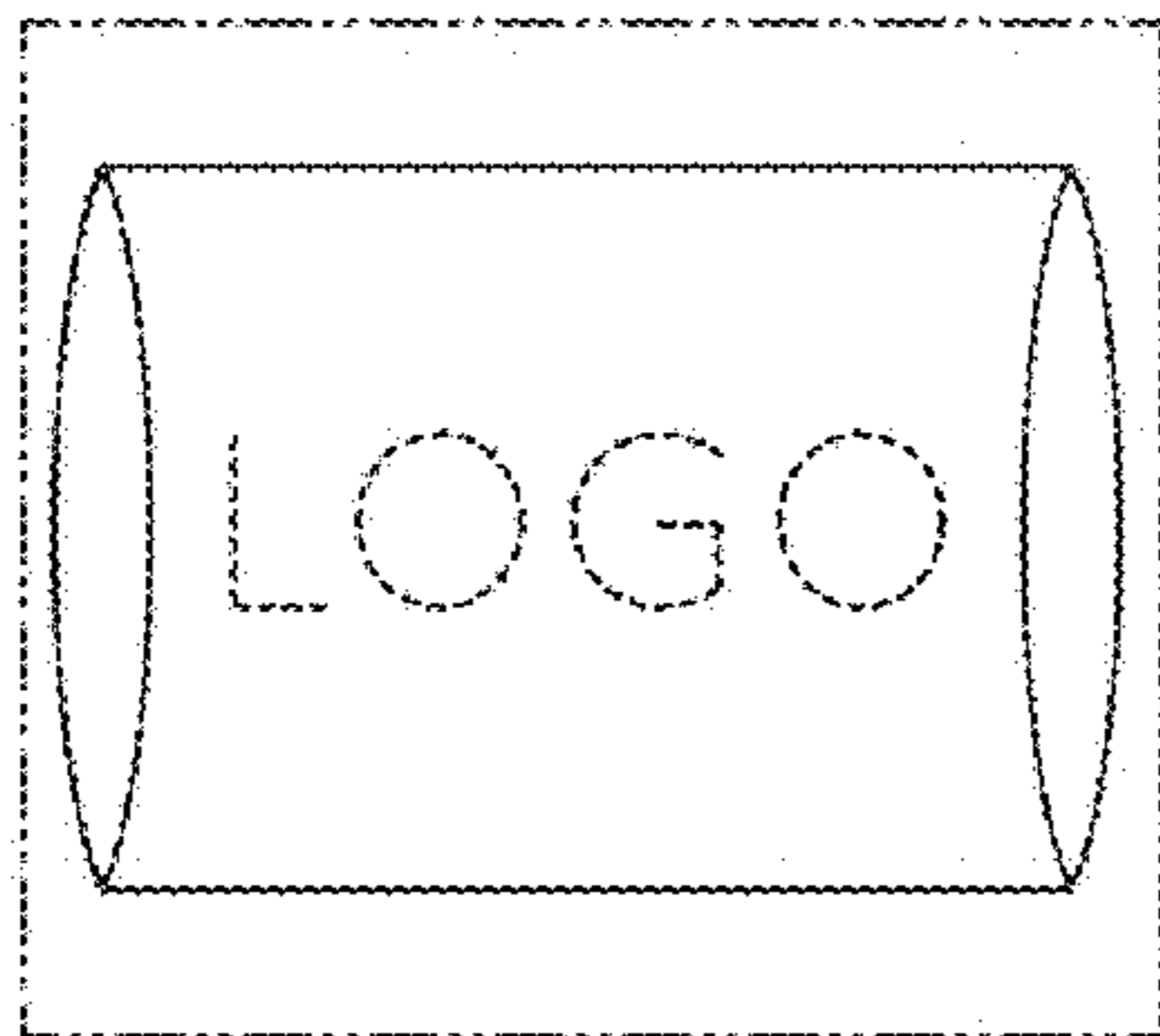
FIG. 14 is the fourteenth image thereof;

FIG. 15 is the fifteenth image thereof; and,

FIG. 16 is the sixteenth image thereof.

The outermost dot dot dash line showing of the communications terminal display screen and all other broken lines showing of portions of the icon are included for the purpose of illustrating portions of the article and form no part of the claimed design. The subject matter in this patent includes a process or period in which an images changes into another image. This process or period forms no part of the claimed design.

1 Claim, 4 Drawing Sheets
(4 of 4 Drawing Sheet(s) Filed in Color)



(56)

References Cited

U.S. PATENT DOCUMENTS

D736,830 S * 8/2015 Lyman G06F 3/04817
D14/494
D765,103 S * 8/2016 Virk D14/485
D765,104 S * 8/2016 Virk D14/485
D765,105 S * 8/2016 Virk A43B 3/26
D14/485
D765,106 S * 8/2016 Virk D14/485
D831,067 S * 10/2018 Ekstrand B65D 75/008
D14/489
2007/0234595 A1* 10/2007 Davis A43B 3/26
36/94
2011/0225538 A1* 9/2011 Oyagi G06F 1/1692
715/781
2015/0341752 A1* 11/2015 Flynn G06F 3/0488
455/456.3
2016/0132992 A1* 5/2016 Rodrig G06F 3/0483
715/746
2016/0247122 A1* 8/2016 Wong G06Q 10/1095

* cited by examiner

FIG. 1

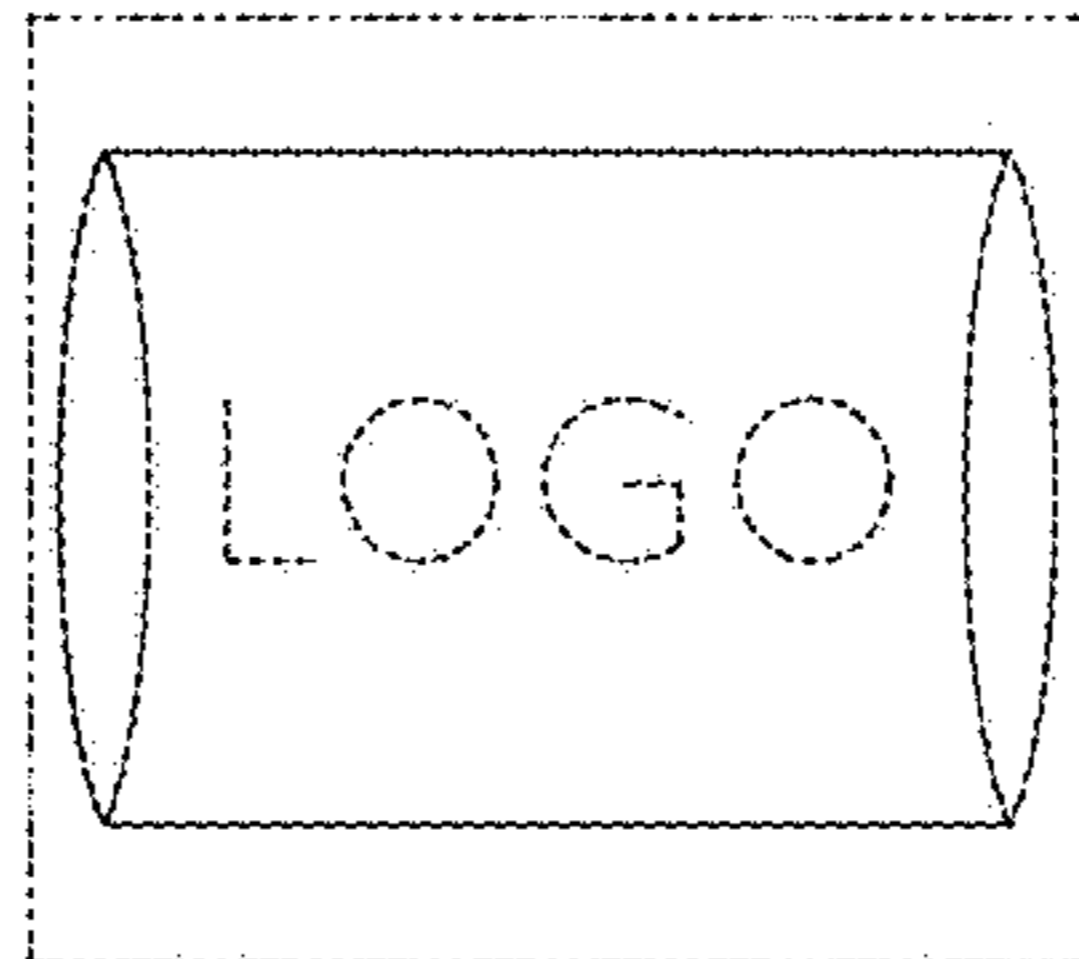


FIG. 2

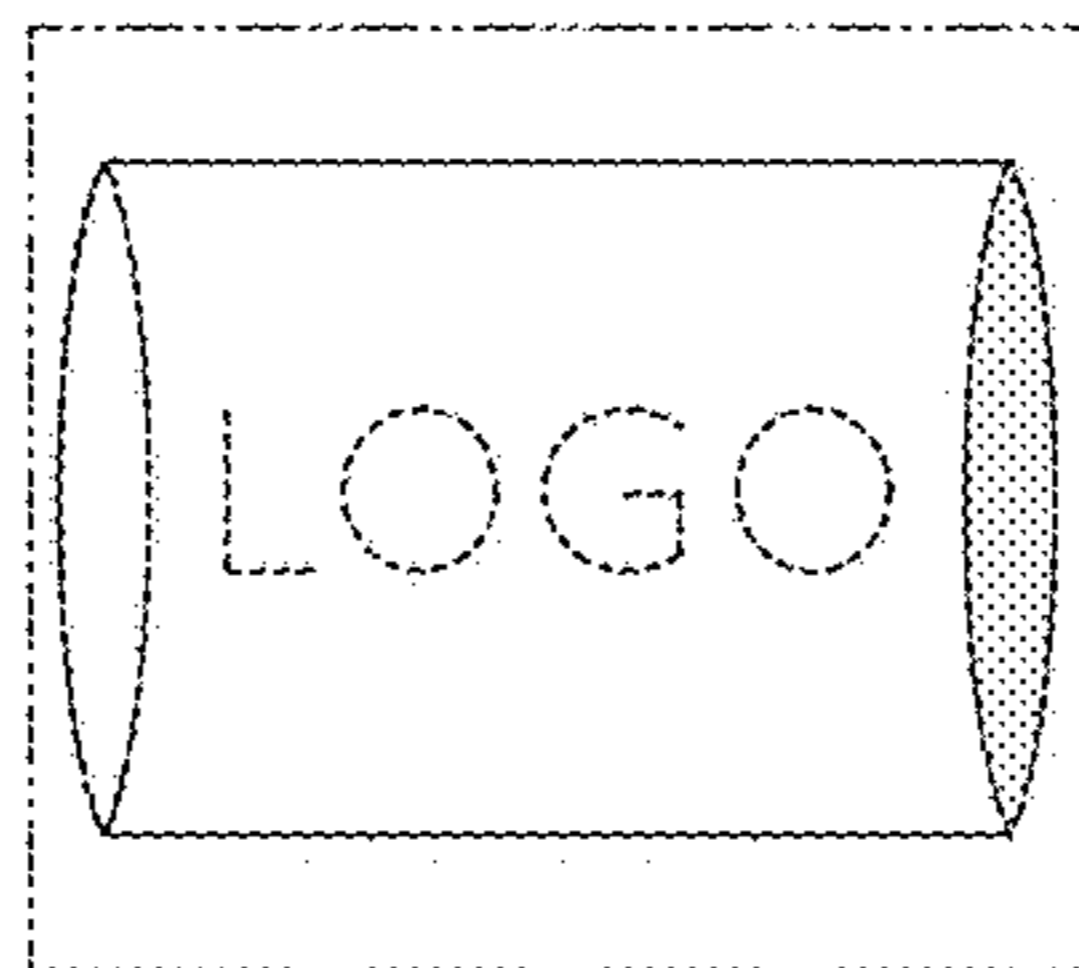


FIG. 3

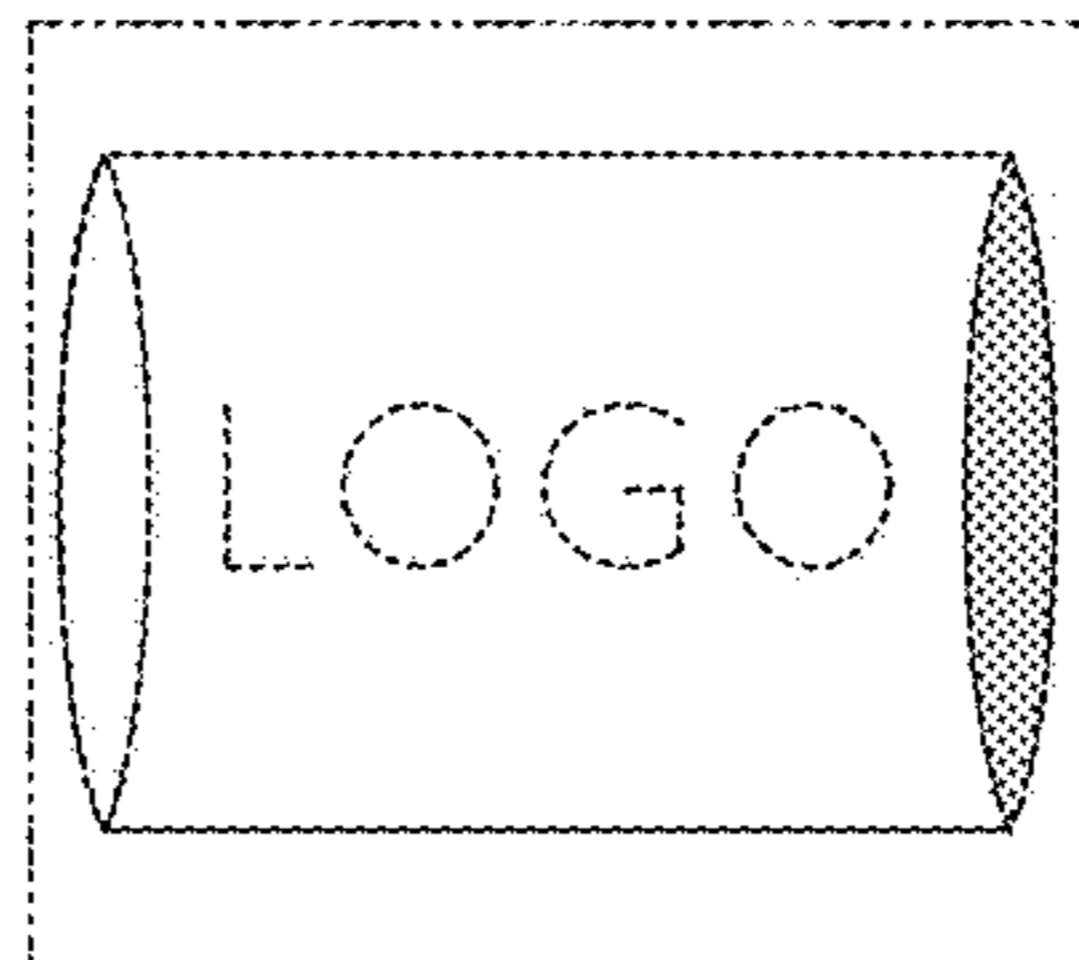


FIG. 4

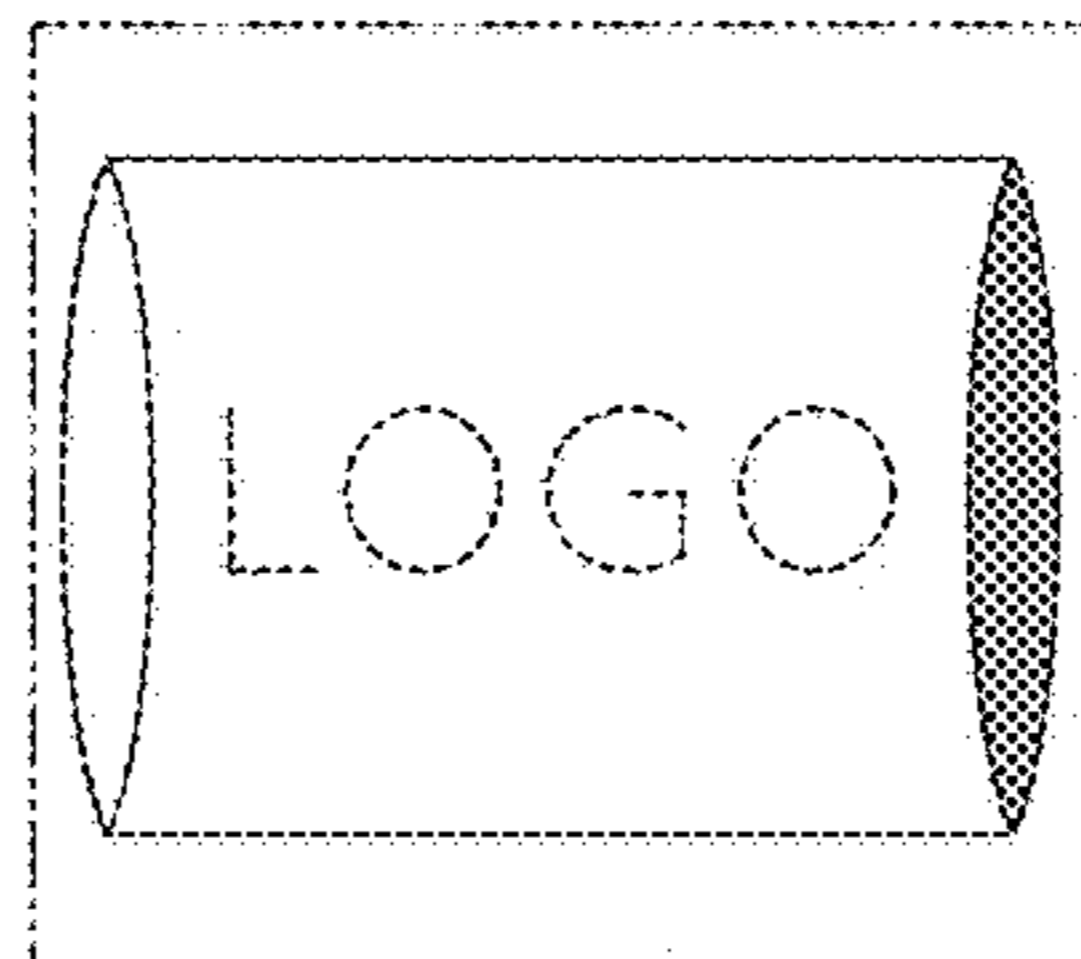


FIG. 5

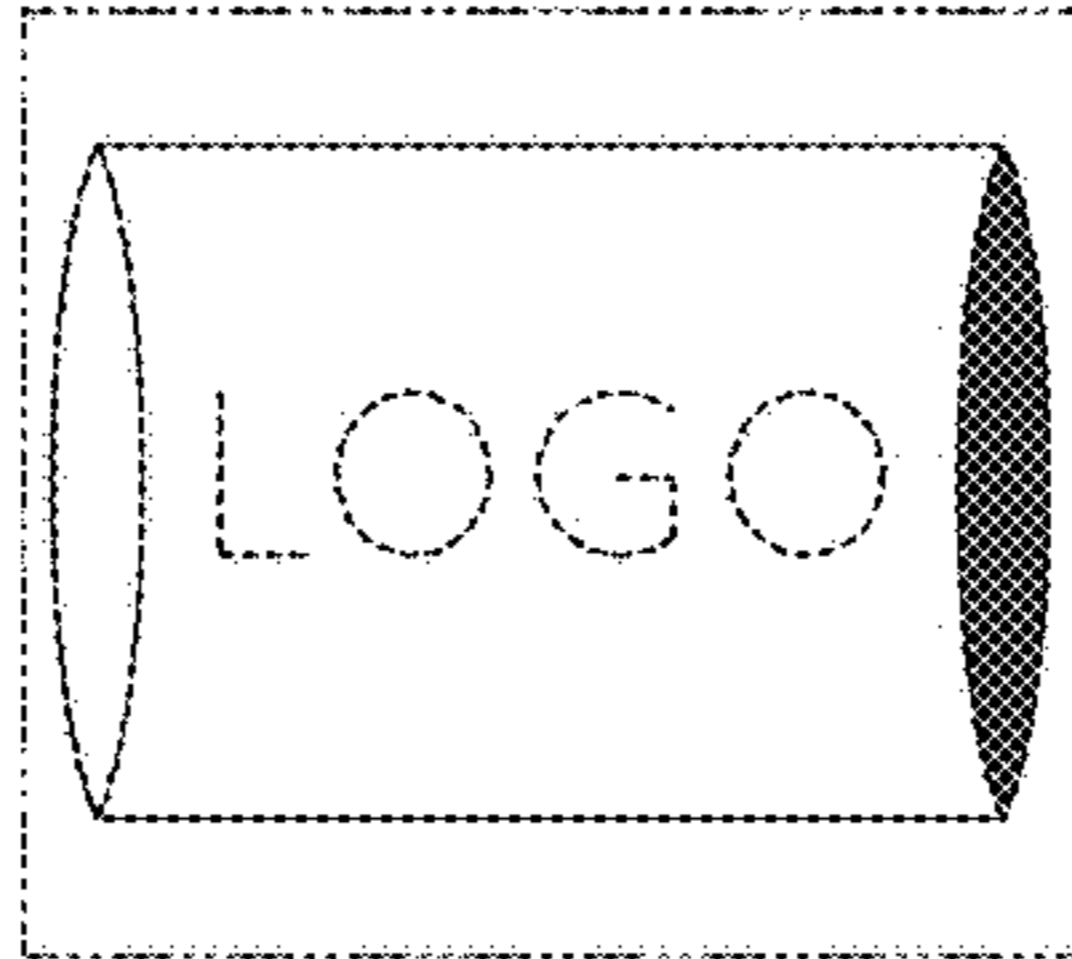


FIG. 6

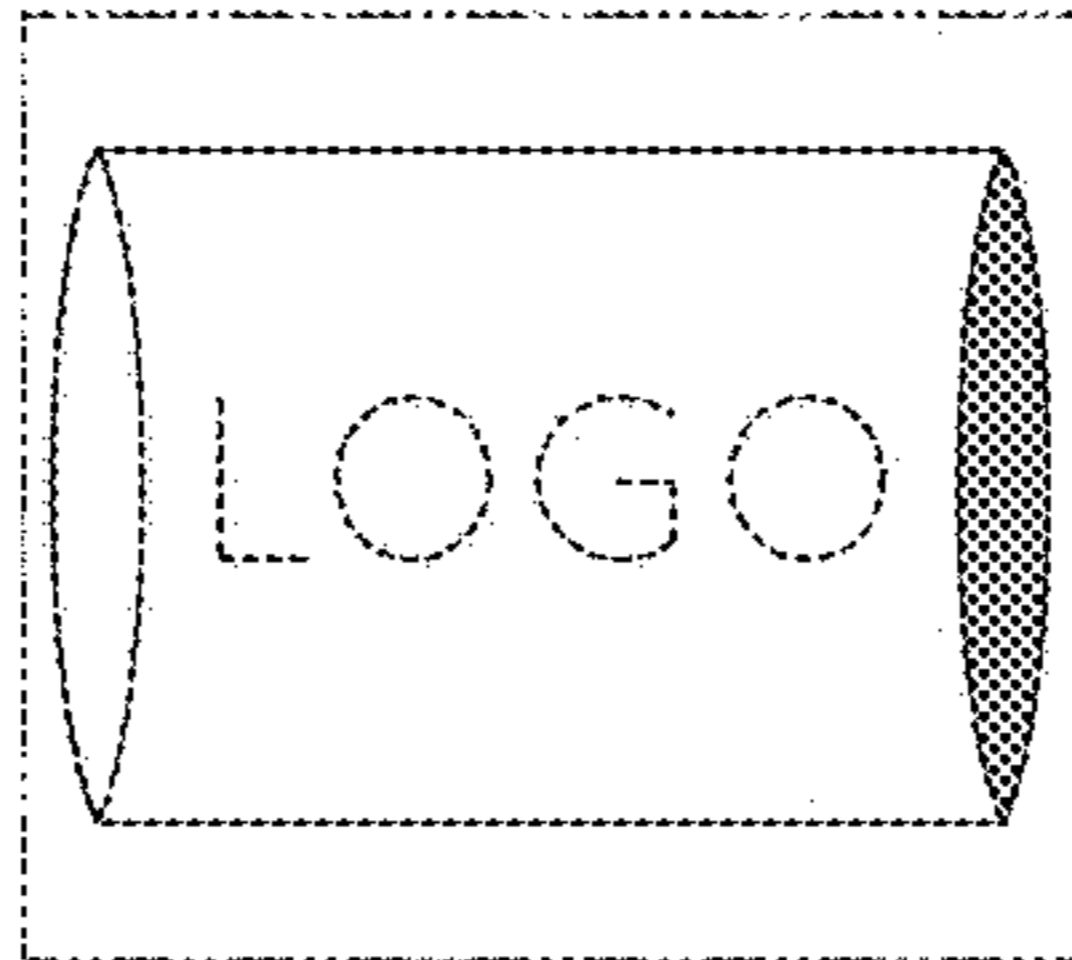


FIG. 7

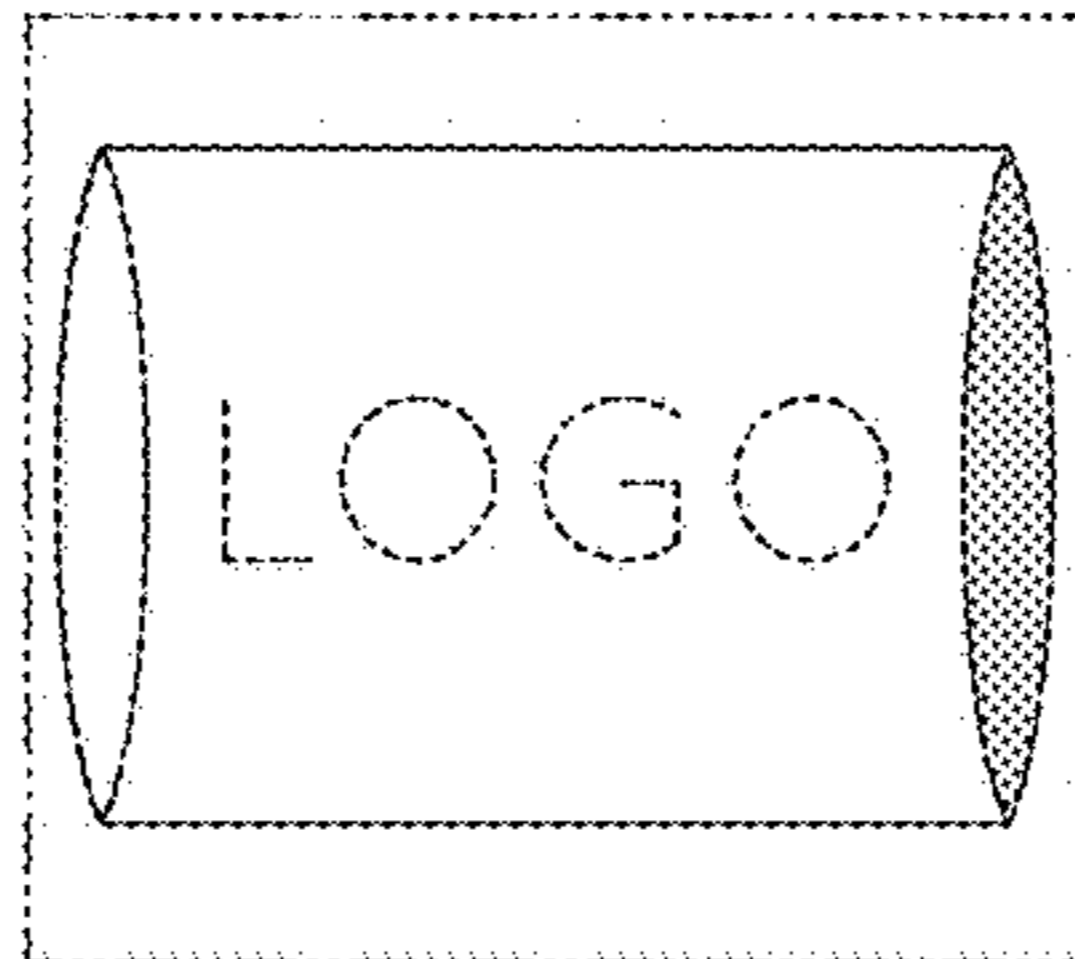


FIG. 8

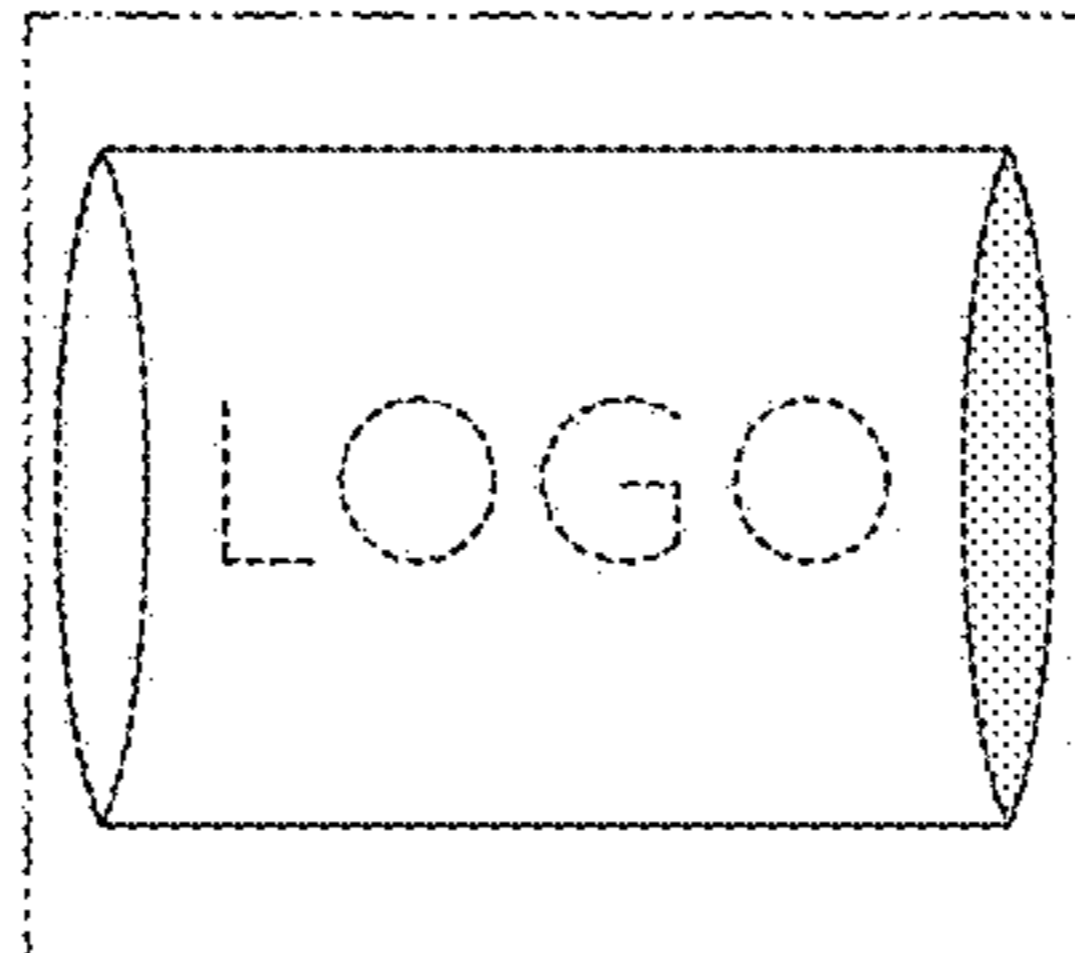


FIG. 9

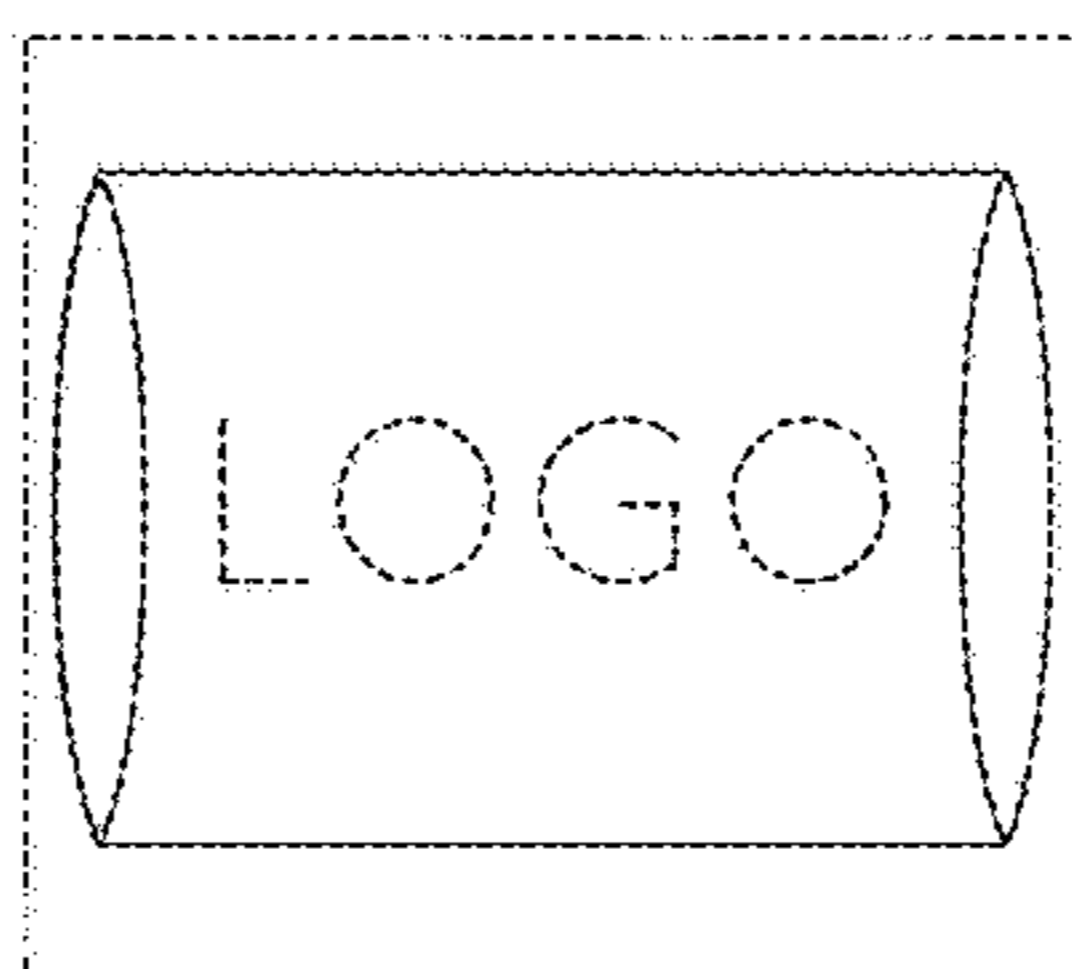


FIG. 10

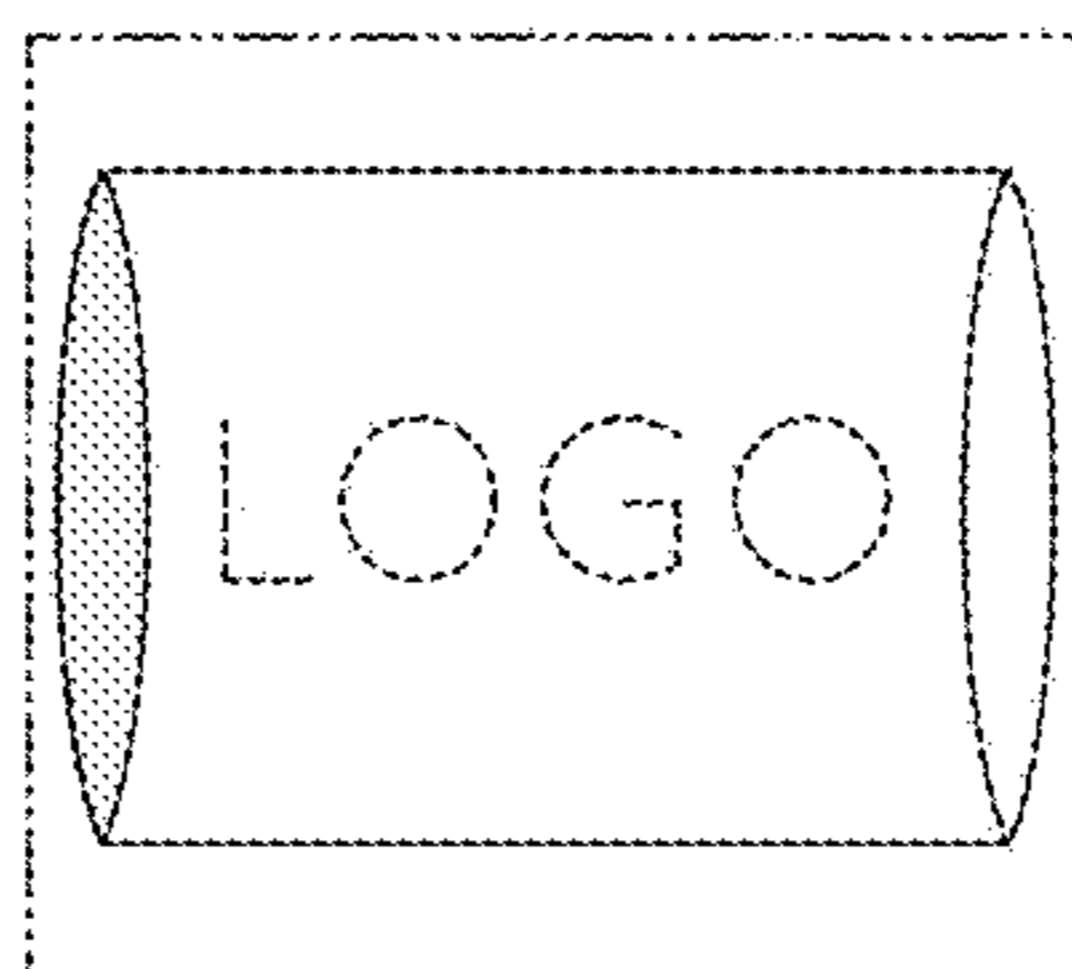


FIG. 11

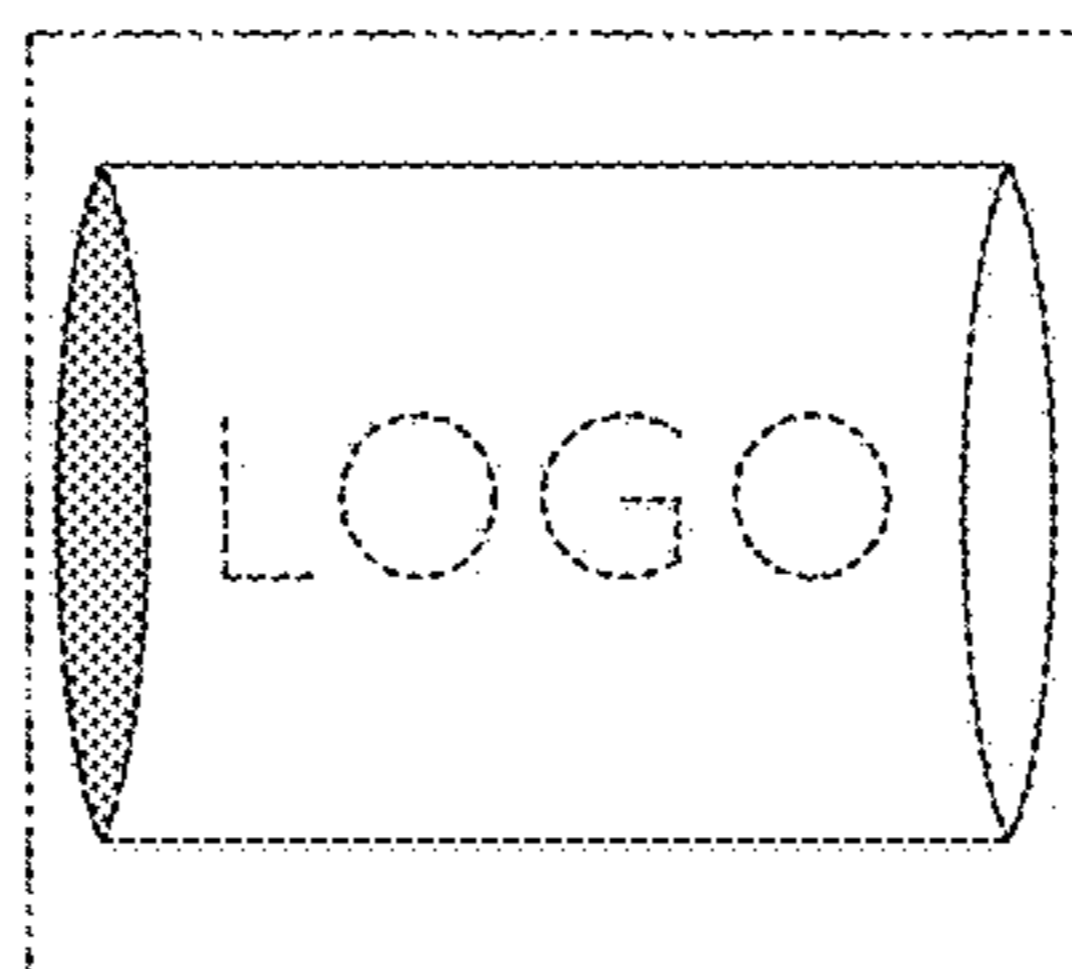


FIG. 12

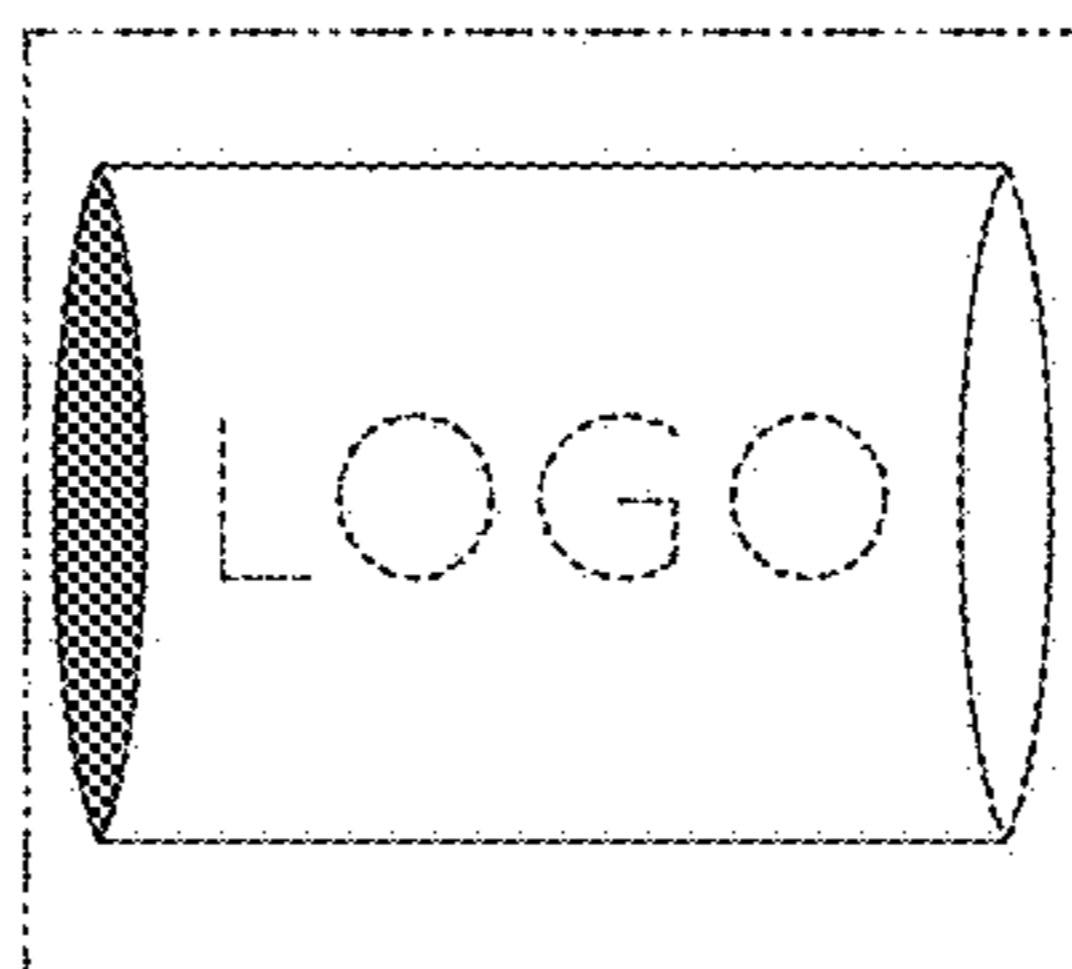


FIG. 13

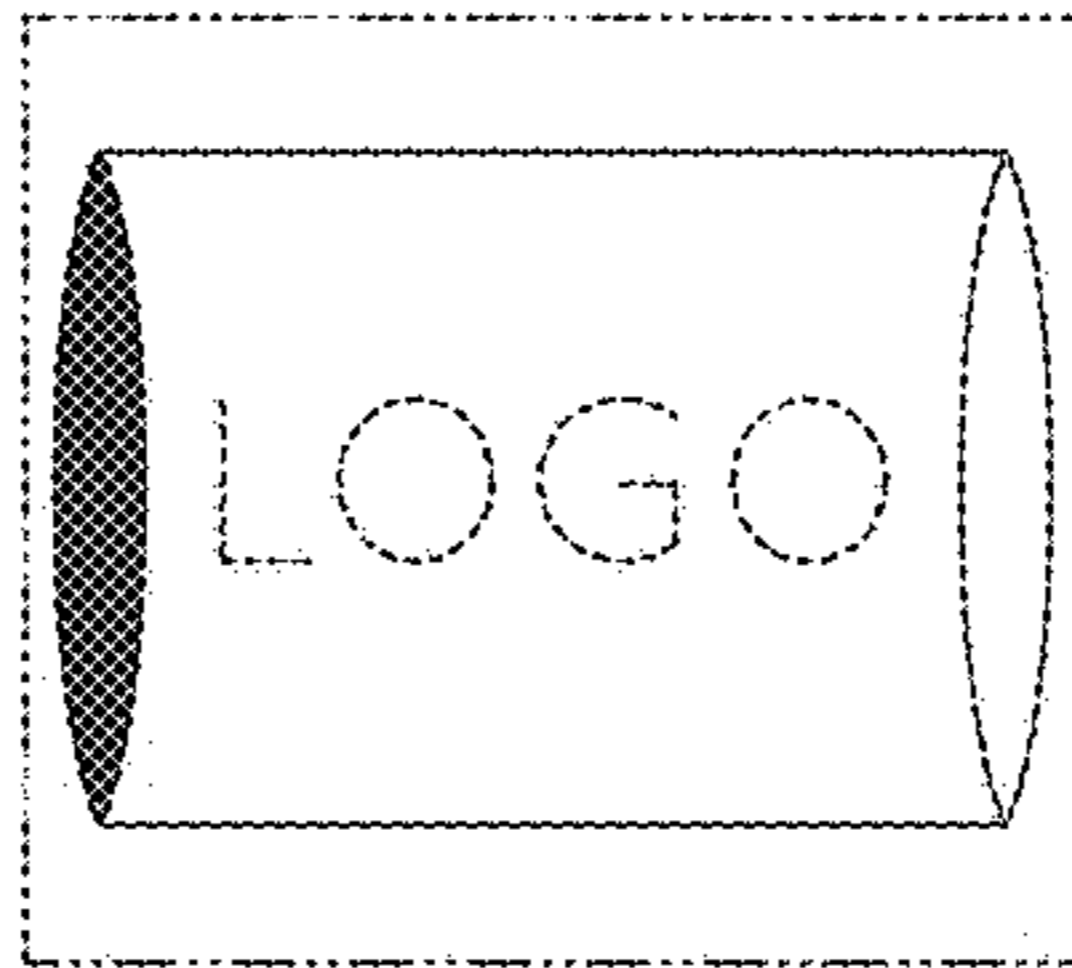


FIG. 14

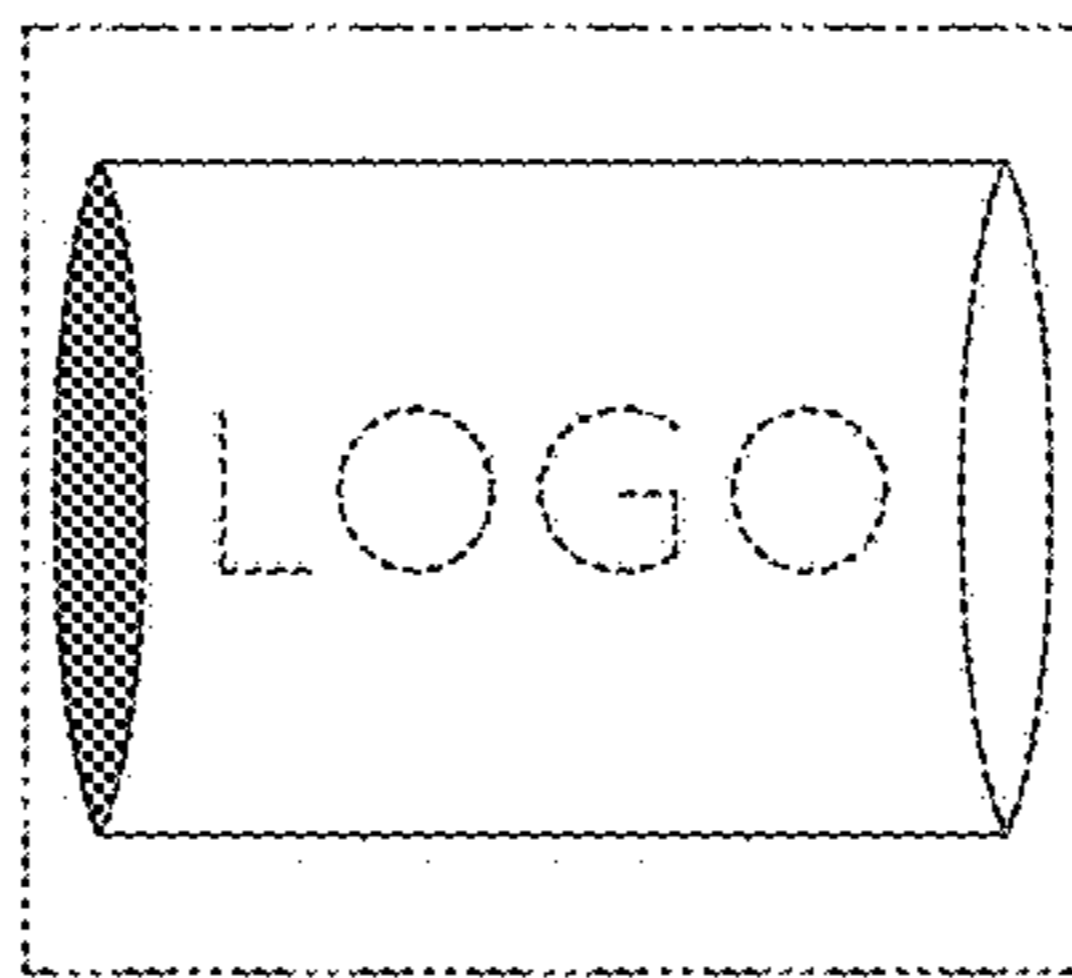


FIG. 15

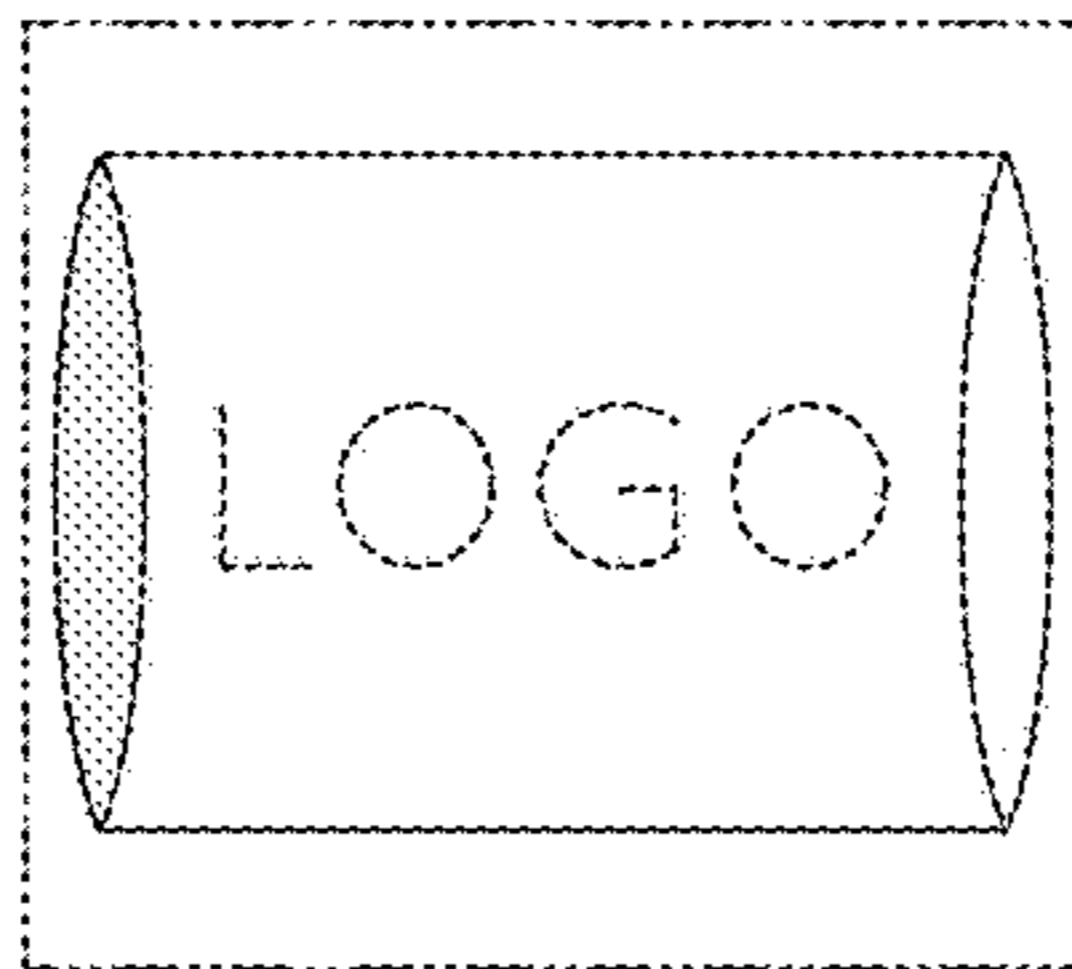


FIG. 16

