



US00D847201S

(12) **United States Design Patent**
Thiel et al.

(10) **Patent No.:** **US D847,201 S**
(45) **Date of Patent:** **** Apr. 30, 2019**

(54) **DISPLAY SCREEN OR PORTION THEREFOR WITH GRAPHICAL USER INTERFACE**

(71) Applicant: **Altisource S.à r.l.**, Luxembourg (LU)

(72) Inventors: **Will Thiel**, Boston, MA (US); **Francois Silvain**, Boston, MA (US); **Tatiana Thomas**, Boston, MA (US)

(73) Assignee: **Altisource S.à r.l.**, Luxembourg (LU)

(**) Term: **15 Years**

(21) Appl. No.: **29/655,406**

(22) Filed: **Jul. 3, 2018**

Related U.S. Application Data

(60) Division of application No. 29/586,196, filed on Dec. 1, 2016, now Pat. No. Des. 826,257, which is a continuation of application No. 15/252,765, filed on Aug. 31, 2016.

(51) **LOC (11) Cl.** **14-04**

(52) **U.S. Cl.**
USPC **D14/488**

(58) **Field of Classification Search**
USPC D14/485, 486, 487-488, 489-495
CPC G06Q 30/0201-30/0207; G06Q 50/01; H04L 12/581; H04L 12/1813; H04L 51/32; G06F 3/048; G06F 3/0481; G06F 2203/04803-2203/04805; G06T 13/80; G06T 15/02; H04M 1/72519-1/72561
See application file for complete search history.

(56) **References Cited**

U.S. PATENT DOCUMENTS

D590,410 S 4/2009 Wall et al.
D681,656 S 5/2013 Lawrence et al.
D687,457 S 8/2013 Edwards et al.

D711,896 S * 8/2014 Hanson D14/485
D735,732 S * 8/2015 Nezhad D14/485
D743,412 S * 11/2015 Danielyan D14/485
D743,413 S * 11/2015 Danielyan D14/485
D754,686 S 4/2016 Mandeville
D759,076 S 6/2016 Bain
D761,282 S 7/2016 Bain
D763,878 S 8/2016 Marteau et al.
D765,122 S 8/2016 Walters et al.
D765,688 S 9/2016 Mesguen et al.
D766,312 S 9/2016 Hedges
D766,918 S * 9/2016 Mesguen D14/485
D766,948 S 9/2016 Gebauer et al.
D769,293 S 10/2016 Colbeck et al.
D769,314 S * 10/2016 Piroddi D14/488
D772,889 S 11/2016 Carlson et al.
D772,891 S * 11/2016 Nook D14/485
D774,043 S 12/2016 Thompson et al.

(Continued)

Primary Examiner — Robin V Webster

Assistant Examiner — Rachel A Voorhies

(74) *Attorney, Agent, or Firm* — Meunier Carlin & Curfman LLC

(57) **CLAIM**

The ornamental design for a display screen or portion thereof with graphical user interface, as shown and described.

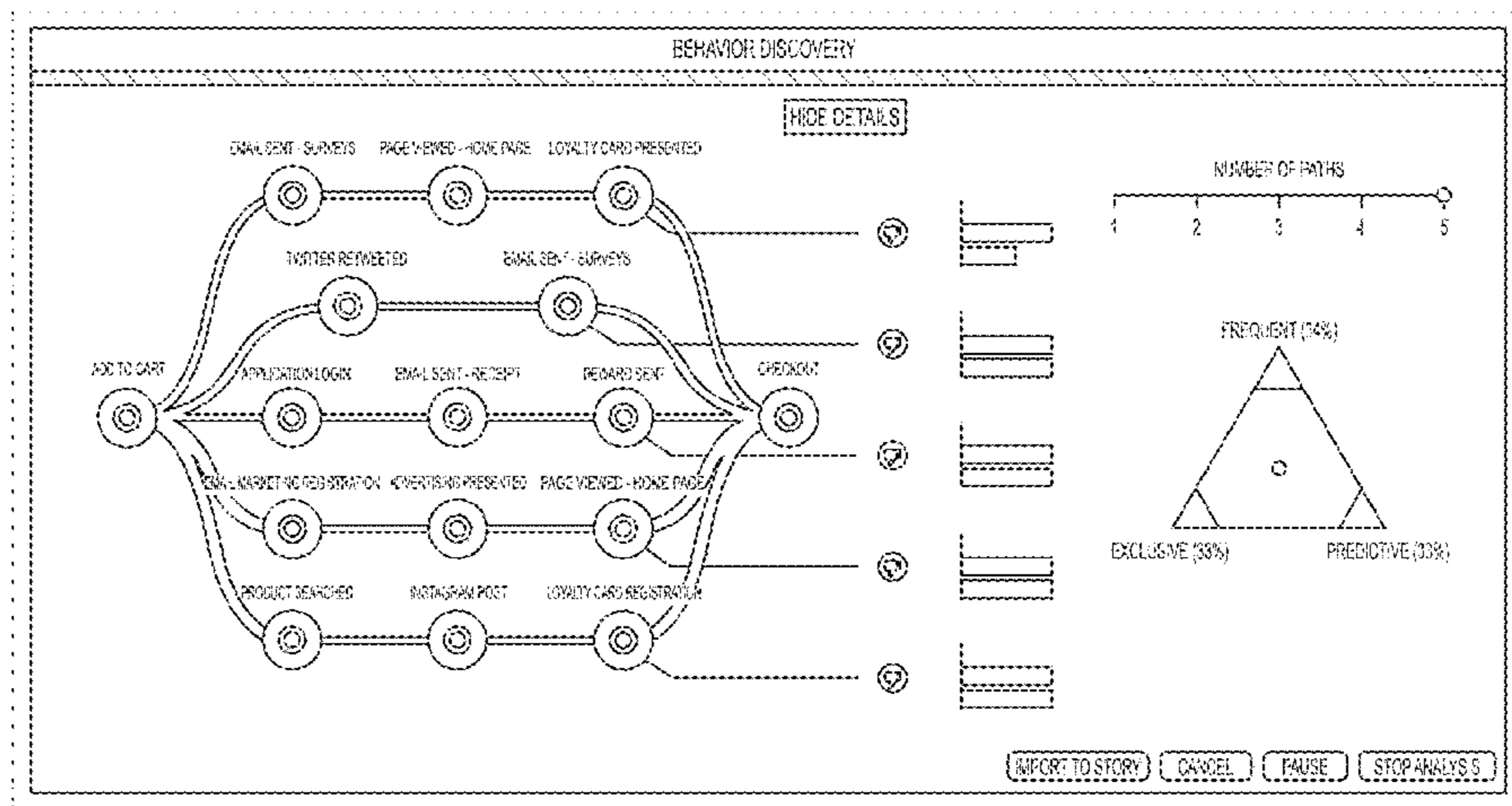
DESCRIPTION

FIG. 1 is a front view of a display screen or portion thereof with graphical user interface showing a first embodiment of our new design; and,

FIG. 2 is a front view of a display screen or portion thereof with graphical user interface showing a second embodiment of our new design.

The broken lines showing the display screen or portion thereof with graphical user interface is provided for the purpose of illustrating environmental structure and forms no part of the claimed design.

1 Claim, 2 Drawing Sheets



(56)

References Cited

U.S. PATENT DOCUMENTS

D774,533 S	12/2016	Takahashi et al.	
D776,143 S	1/2017	Makowski et al.	
D777,195 S	1/2017	Dain et al.	
D777,747 S	1/2017	Derby et al.	
D781,302 S	3/2017	Baguley et al.	
D781,306 S	3/2017	Kummer et al.	
D781,910 S	3/2017	Day et al.	
D785,023 S	4/2017	Willis	
D791,142 S	7/2017	Lucas et al.	
D799,521 S	10/2017	Potnuru et al.	
D801,351 S	10/2017	Barni	
D802,001 S	11/2017	Javed et al.	
9,826,049 B2	11/2017	Lim et al.	
D805,535 S	12/2017	Danielyan et al.	
D809,524 S	2/2018	Kato et al.	
D809,544 S *	2/2018	Ambielli	D14/486
D810,109 S *	2/2018	Makowski	D14/486
D810,111 S *	2/2018	Garcia	D14/486
D812,634 S	3/2018	Tuhill et al.	
D817,981 S *	5/2018	Gofberg	D14/486
D820,297 S *	6/2018	Gardner	D14/486
2015/0348088 A1	12/2015	Mandeville	
2016/0255161 A1	9/2016	Lim et al.	
2017/0188199 A1	6/2017	Ashley et al.	
2017/0235848 A1	8/2017	Van Dusen et al.	
2018/0189820 A1 *	7/2018	Cooperman	G06Q 30/0243

* cited by examiner

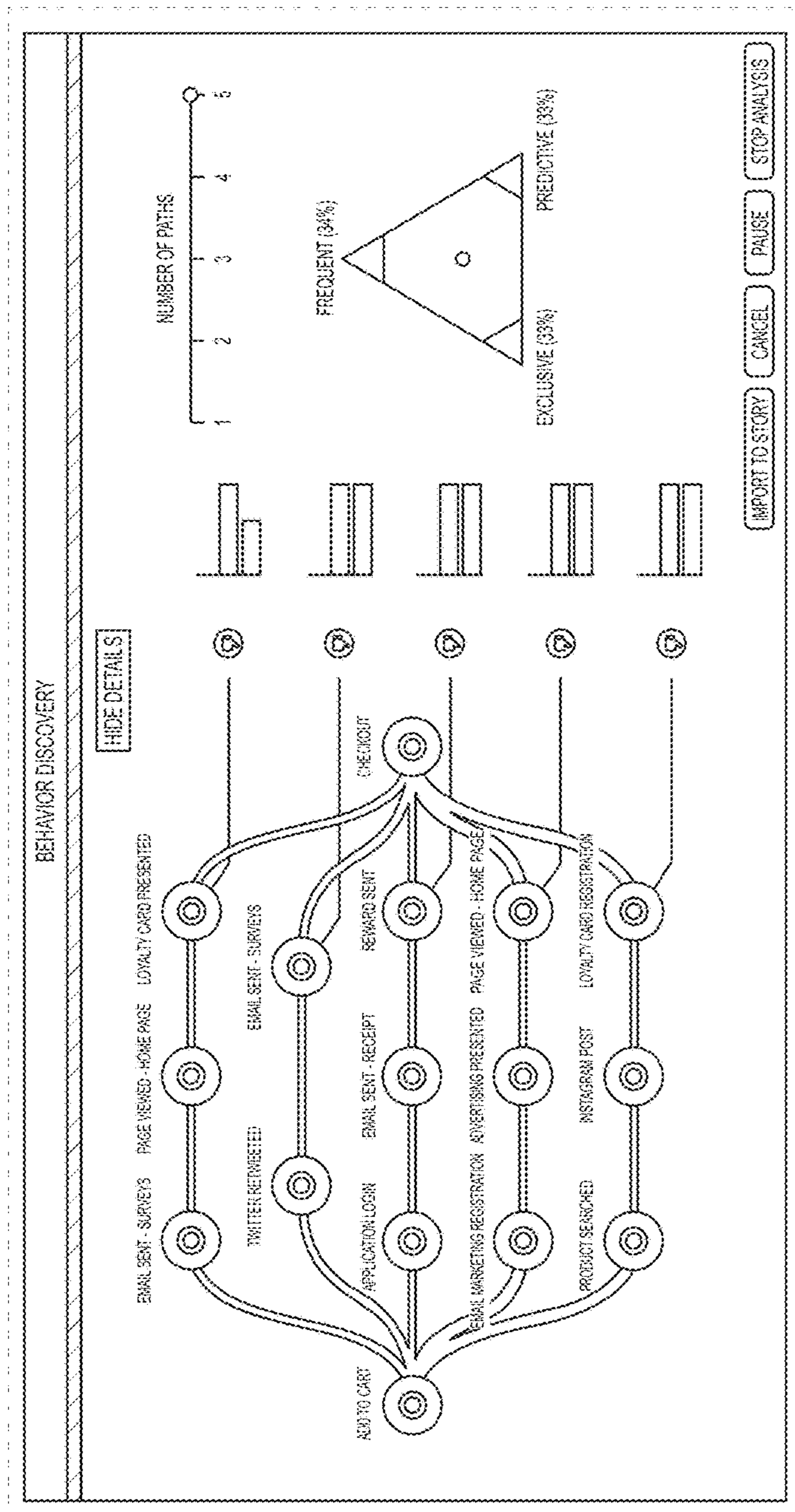


FIG. 1

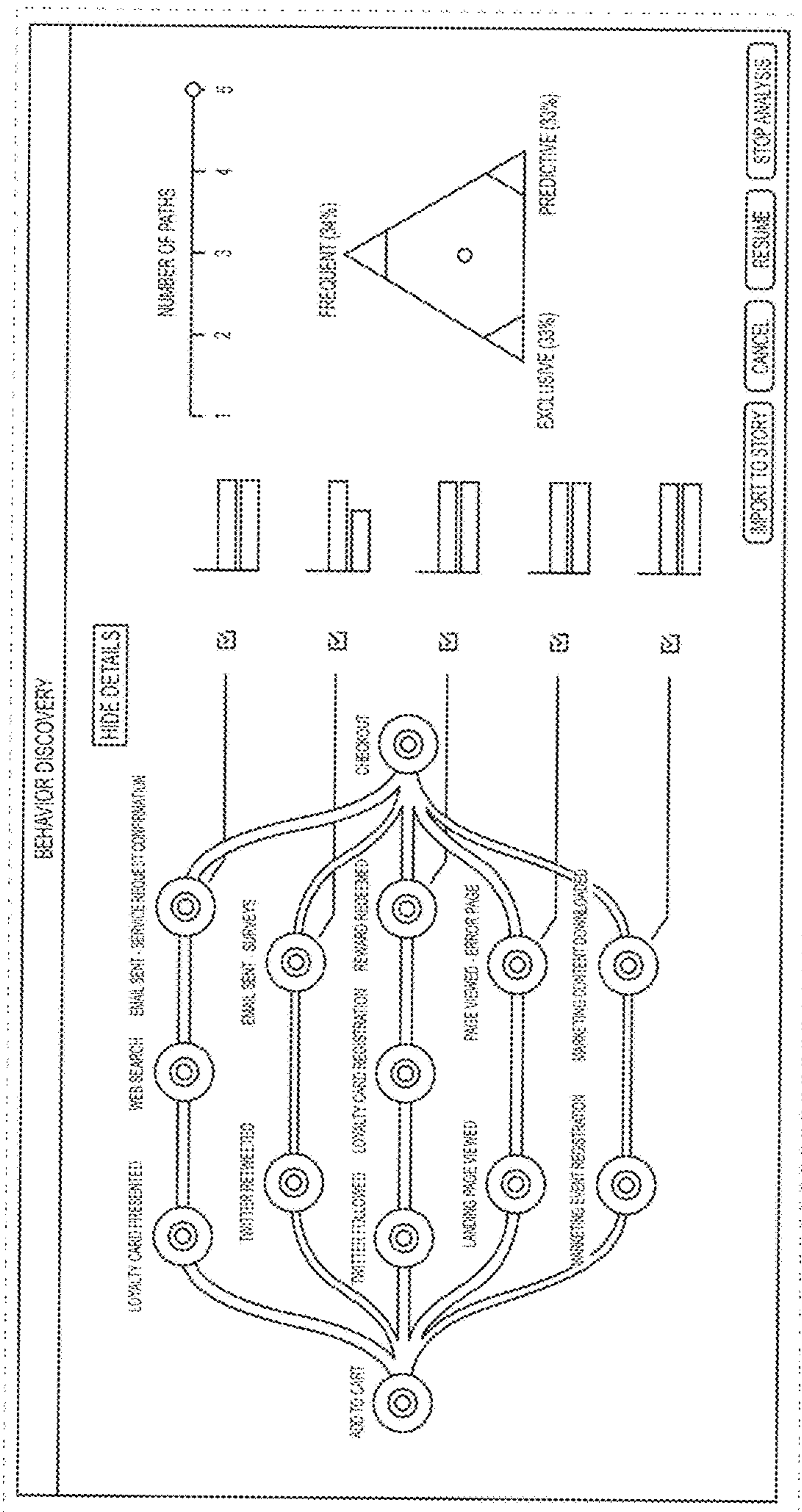


FIG. 2