



US00D847199S

(12) **United States Design Patent**
Whitmore

(10) **Patent No.:** **US D847,199 S**

(45) **Date of Patent:** **** Apr. 30, 2019**

(54) **DISPLAY SCREEN WITH ANIMATED GRAPHICAL USER INTERFACE**

(71) Applicant: **CATERPILLAR INC.**, Peoria, IL (US)

(72) Inventor: **Joshua Whitmore**, Dunlap, IL (US)

(73) Assignee: **Caterpillar Inc.**, Deerfield, IL (US)

(**) Term: **15 Years**

(21) Appl. No.: **29/622,306**

(22) Filed: **Oct. 16, 2017**

(51) **LOC (11) Cl.** **14-04**

(52) **U.S. Cl.**
USPC **D14/488**

(58) **Field of Classification Search**
USPC D14/485, 486, 487, 490, 488; D20/11;
D10/126, 127
CPC G06F 3/048; G06F 3/0481; G06F 3/04812;
G06F 3/04817; G06F 3/0482; G06F
3/0489; G06F 3/0484; G04B 19/04
See application file for complete search history.

(56) **References Cited**

U.S. PATENT DOCUMENTS

- 2,213,853 A * 9/1940 Whitehead G04B 19/044
116/332
- 2,251,021 A * 7/1941 Nebergall G04B 19/04
116/329
- D145,610 S * 9/1946 Banick D10/1
- 3,146,578 A * 9/1964 Etienne G04B 19/10
116/334
- D231,662 S * 5/1974 Fusillo, Jr. D10/126
- D291,541 S * 8/1987 Creed D10/126
- D301,557 S * 6/1989 Agostini D10/126
- D420,292 S * 2/2000 Almand D10/126
- D687,838 S * 8/2013 Poeppel D14/485
- 8,811,121 B2 * 8/2014 Balli G04G 21/00
368/10
- D746,715 S * 1/2016 Gueit D10/127

- D746,717 S * 1/2016 Cerrato D10/127
- D750,505 S * 3/2016 Cerrato D10/30
- D759,051 S * 6/2016 Bauer D14/485
- D764,338 S * 8/2016 Cerrato D10/127
- D768,527 S * 10/2016 Monachon D10/126
- D788,792 S * 6/2017 Alessandri D14/485
- D808,989 S * 1/2018 Ayvazian D14/485
- D815,134 S * 4/2018 Kim D14/486
- 10,067,472 B2 * 9/2018 Rossier G04B 19/044

* cited by examiner

Primary Examiner — Melanie H Tung

(74) *Attorney, Agent, or Firm* — Finnegan, Henderson, Farabow, Garrett & Dunner, LLP

(57) **CLAIM**

The ornamental design for a display screen with animated graphical user interface, as shown and described.

DESCRIPTION

FIG. 1 is a front view of a first image in a sequence of a display screen with animated graphical user interface showing my new design;

FIG. 2 is a front view of a second image thereof;

FIG. 3 is a front view of a third image thereof;

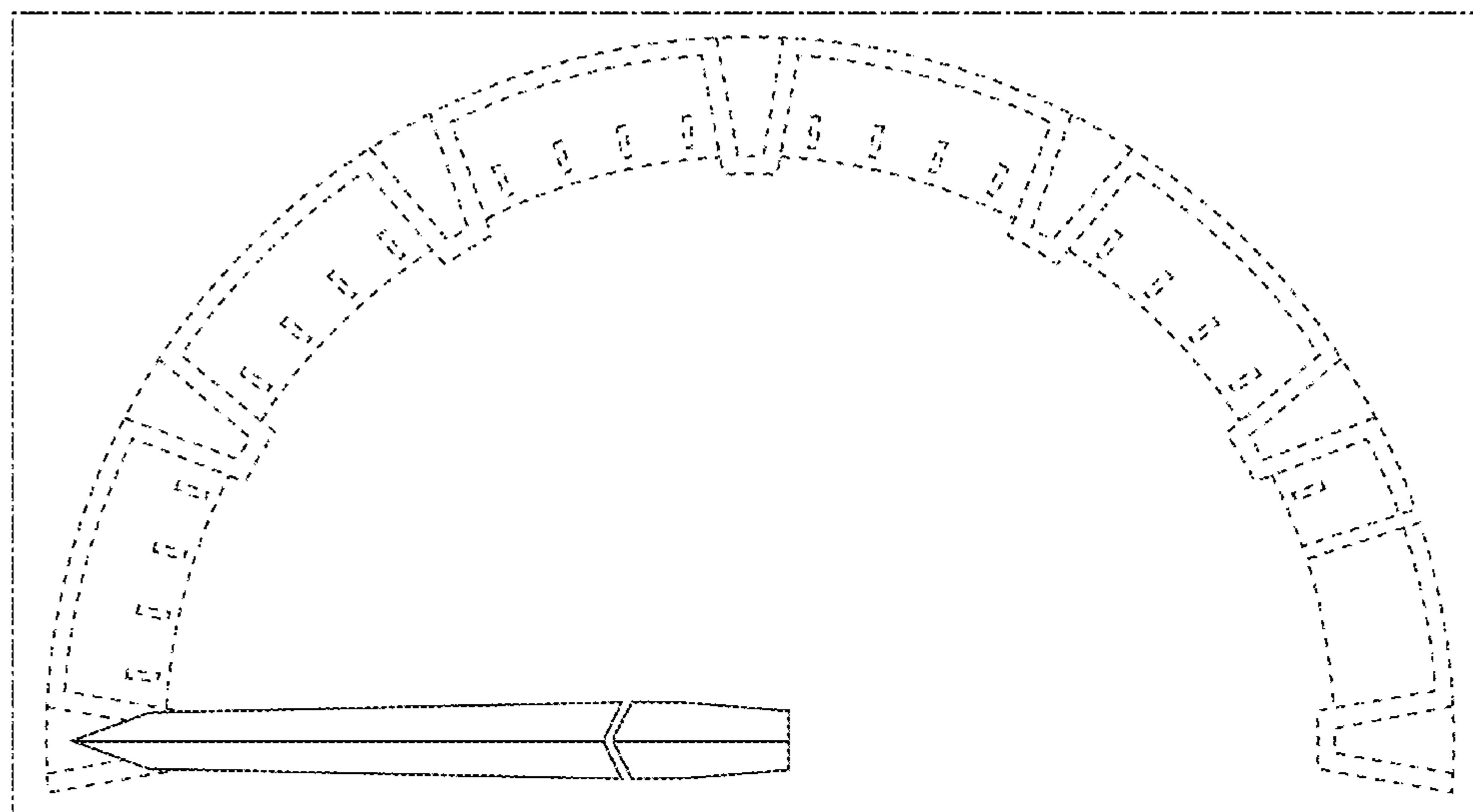
FIG. 4 is a front view of a fourth image thereof; and,

FIG. 5 is a front view of a fifth image thereof.

The appearance of the display screen with animated graphical user interface sequentially transitions between the images shown in FIGS. 1-5. The process or period in which an image sequence transitions from one image to another image forms no part of the claimed design.

The broken lines of even length shown in the drawings illustrate portions of the display screen which form no part of the claimed design. The broken lines of uneven length depict a display screen and form no part of the claimed design.

1 Claim, 5 Drawing Sheets



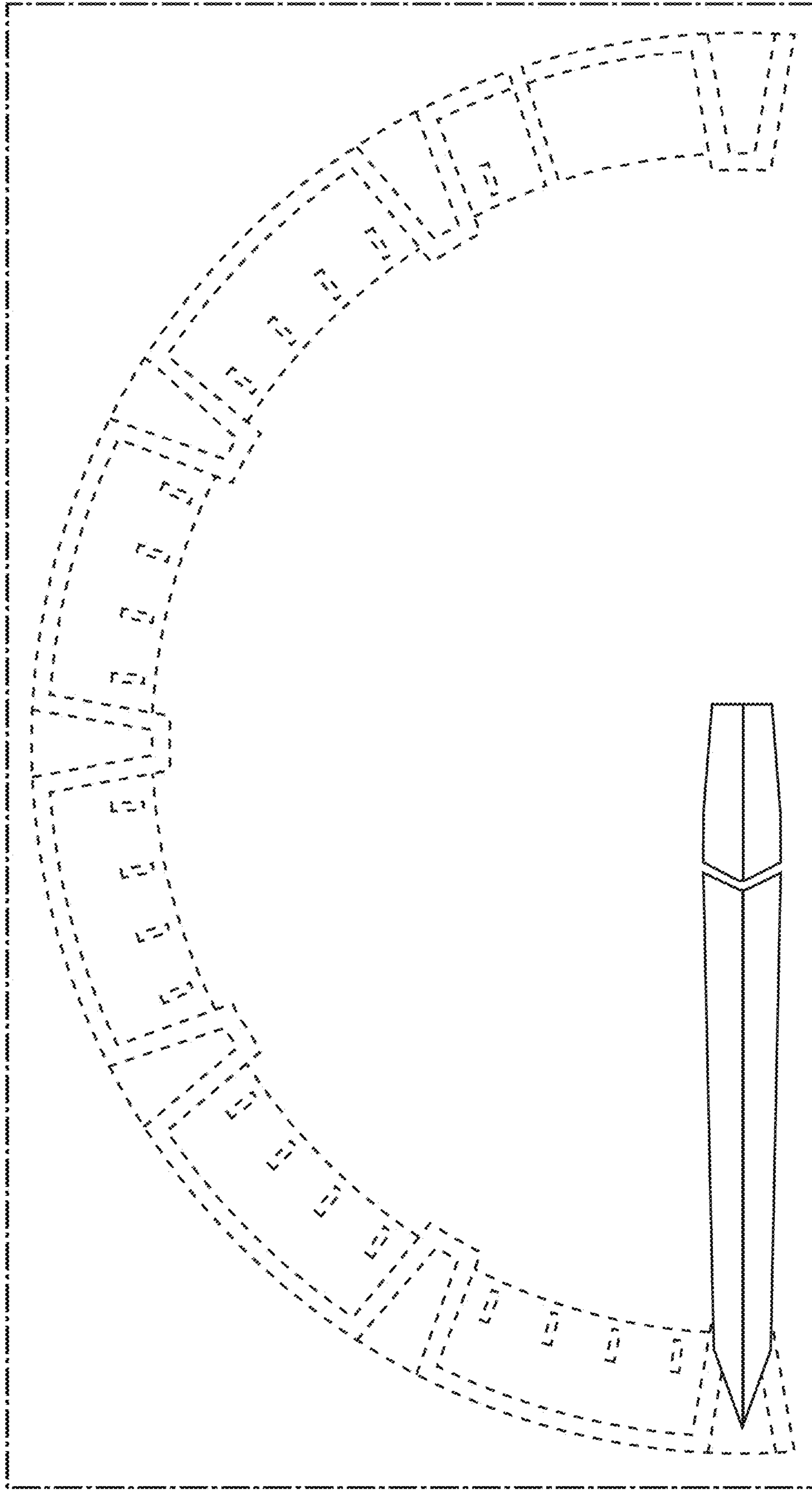


FIG. 1

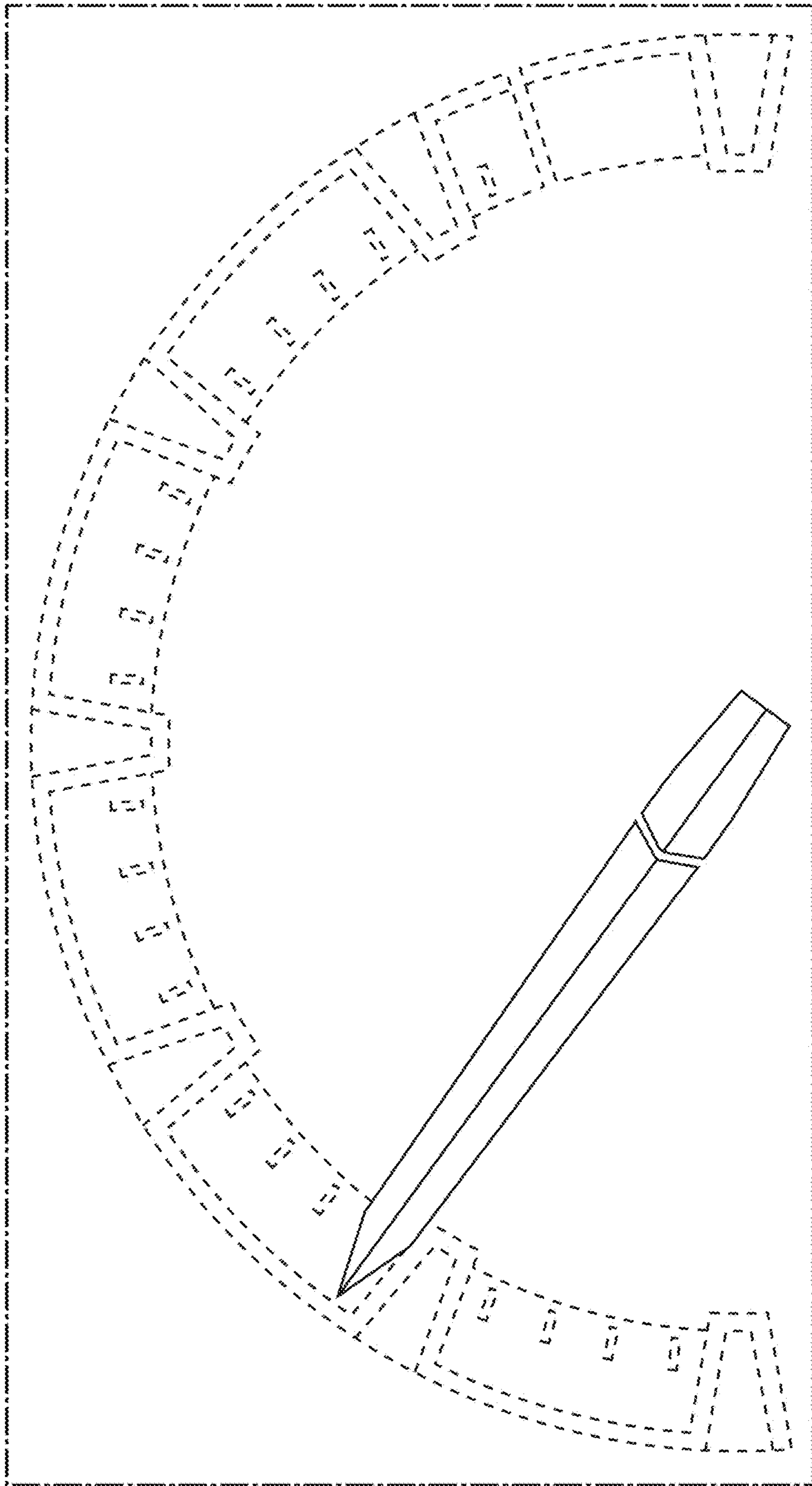


FIG. 2

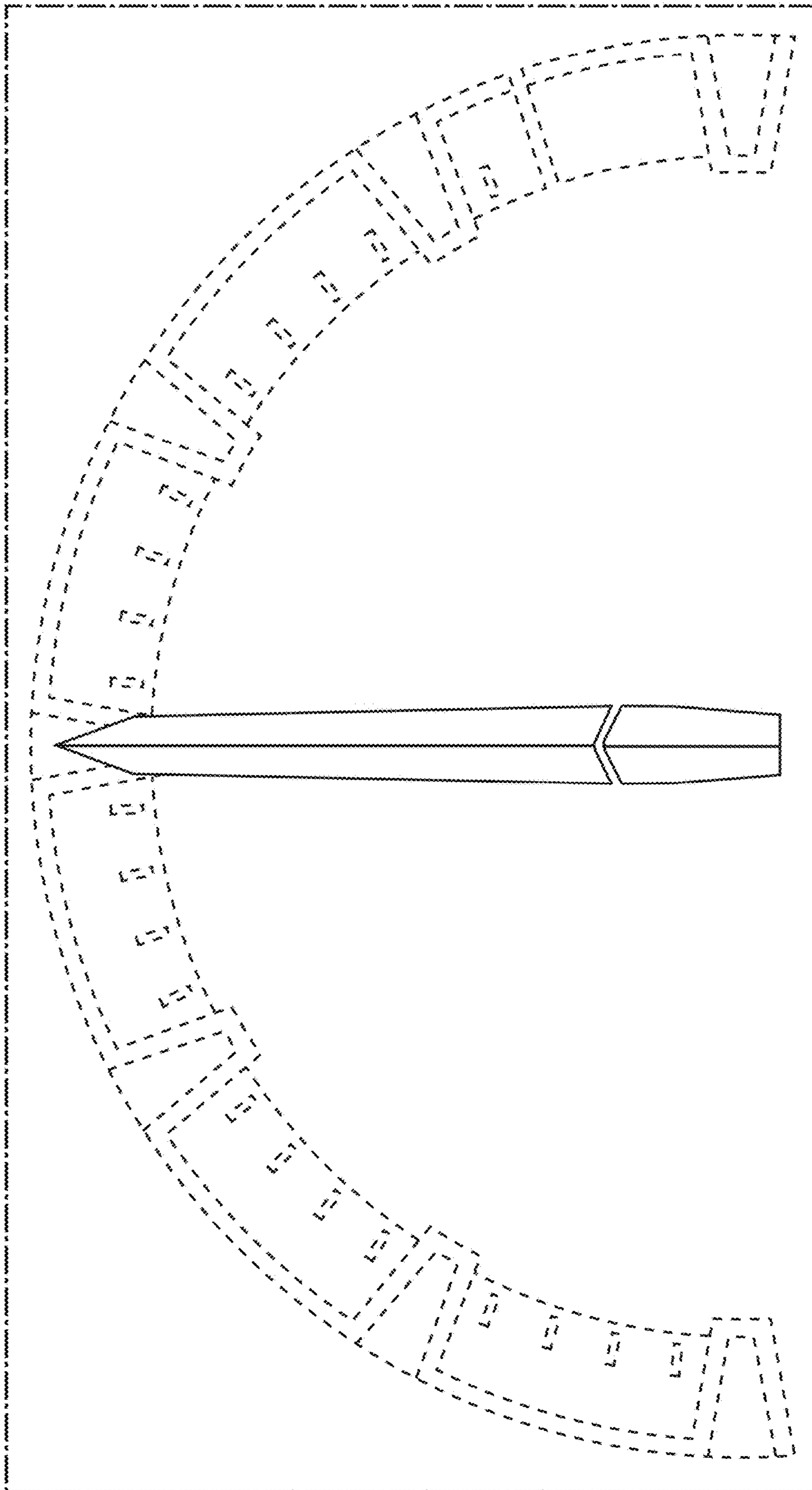


FIG. 3

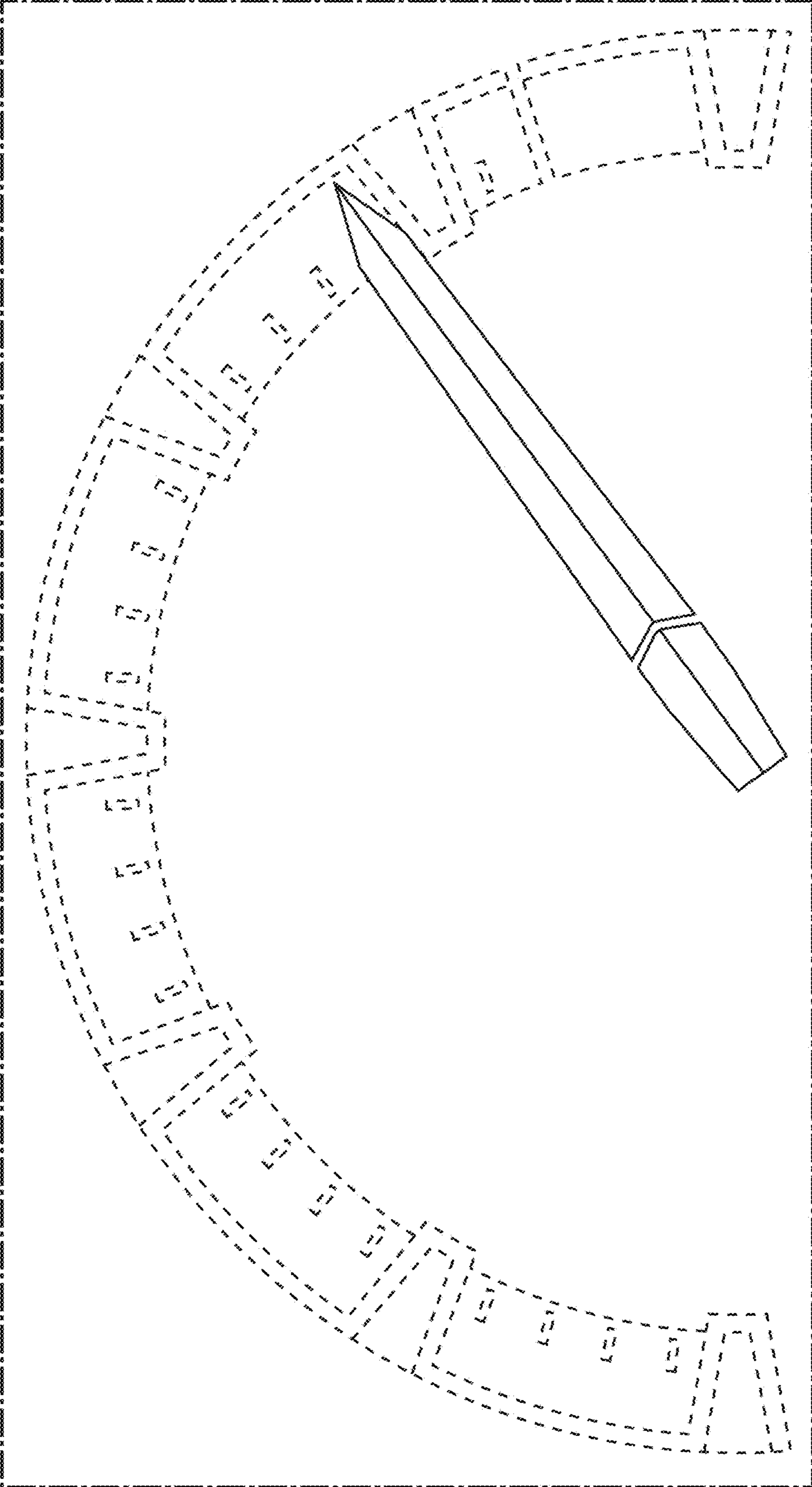


FIG. 4

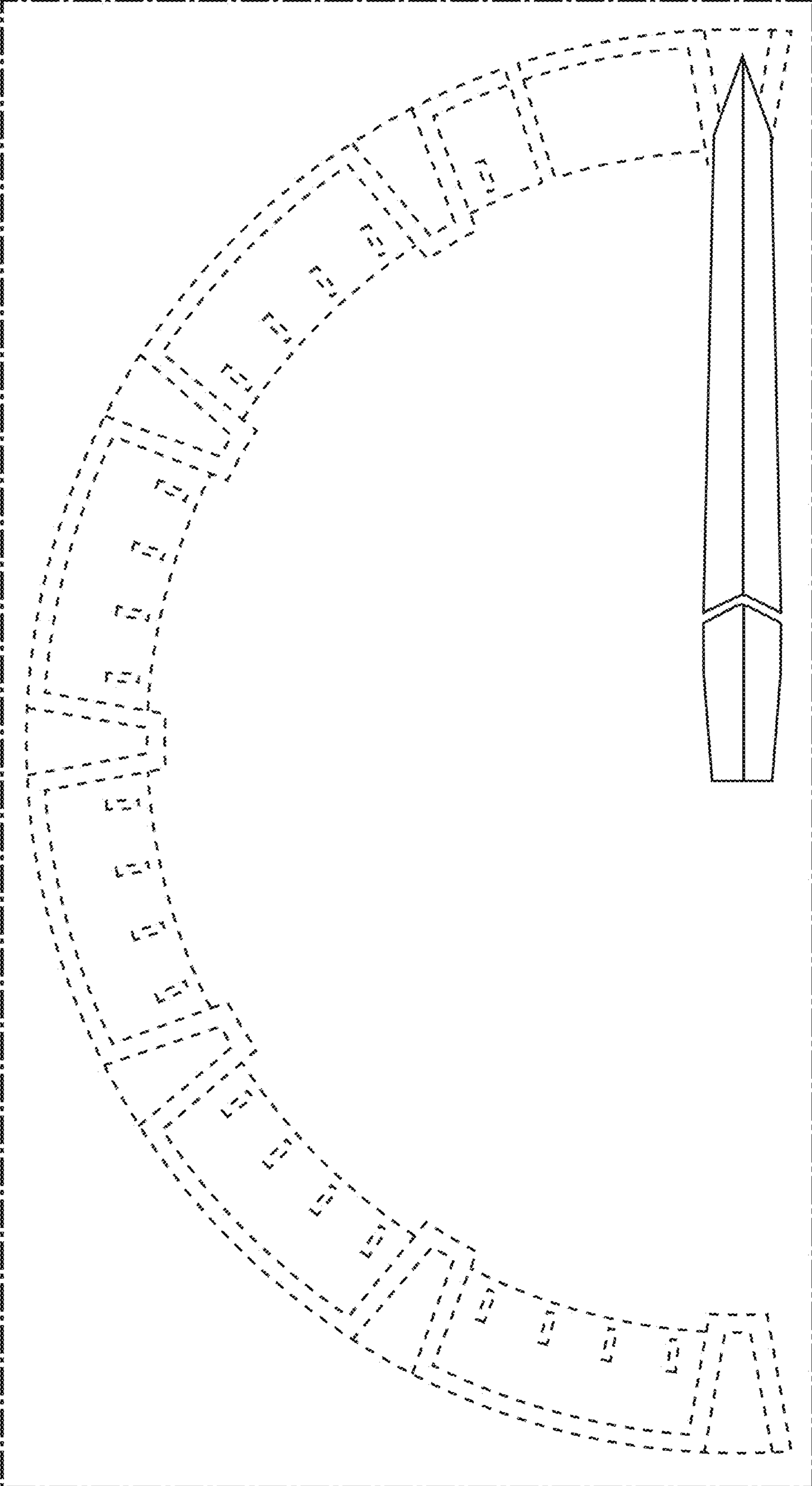


FIG. 5