



US00D847190S

(12) **United States Design Patent**
Lisseman et al.

(10) **Patent No.:** **US D847,190 S**
(45) **Date of Patent:** **** Apr. 30, 2019**

(54) **STEERING WHEEL DISPLAY SCREEN WITH GRAPHICAL USER INTERFACE**

(71) Applicant: **Joyson Safety Systems Acquisition LLC**, Auburn Hills, MI (US)

(72) Inventors: **Jason Carl Lisseman**, Shelby Township, MI (US); **Makoto Kawaguchi**, Troy, MI (US)

(73) Assignee: **JOYSON SAFETY SYSTEMS ACQUISITION LLC**, Auburn Hills, MI (US)

(**) Term: **15 Years**

(21) Appl. No.: **29/589,784**

(22) Filed: **Jan. 4, 2017**

(51) **LOC (11) Cl.** **14-04**

(52) **U.S. Cl.**
USPC **D14/487; D14/485**

(58) **Field of Classification Search**
USPC **D14/485-495**

(Continued)

(56) **References Cited**

U.S. PATENT DOCUMENTS

2,825,567 A 3/1958 Simons
D342,474 S 12/1993 Oki

(Continued)

FOREIGN PATENT DOCUMENTS

EP 0801373 10/1997
JP 2005/088792 4/2005

(Continued)

OTHER PUBLICATIONS

“BMW M Performance Steering Wheel” Nov. 2, 2012, YouTube, site visited Jun. 29, 2018: <https://www.youtube.com/watch?v=UFLvCsHBjBI>.*

(Continued)

Primary Examiner — Jack Reickel

(74) *Attorney, Agent, or Firm* — Meunier Carlin & Curfman LLC

(57) **CLAIM**

The ornamental design for a steering wheel display screen with graphical user interface, as shown and described.

DESCRIPTION

FIG. 1 is front view of a steering wheel display screen with graphical user interface showing a first image in the sequence showing our new design.

FIG. 2 is a second image thereof.

FIG. 3 is a third image thereof.

FIG. 4 is a fourth image thereof.

FIG. 5 is front view of a steering wheel display screen with graphical user interface showing a first image in the sequence showing our new design.

FIG. 6 is a second image thereof.

FIG. 7 is a third image thereof.

FIG. 8 is a fourth image thereof.

FIG. 9 is front view of a steering wheel display screen with graphical user interface showing a first image in the sequence showing our new design.

FIG. 10 is a second image thereof.

FIG. 11 is a third image thereof.

FIG. 12 is a fourth image thereof.

FIG. 13 is front view of a steering wheel display screen with graphical user interface showing a first image in the sequence showing our new design.

FIG. 14 is a second image thereof.

FIG. 15 is a third image thereof.

FIG. 16 is a fourth image thereof.

FIG. 17 is front view of a steering wheel display screen with graphical user interface showing a first image in the sequence showing our new design.

FIG. 18 is a second image thereof.

FIG. 19 is a third image thereof.

FIG. 20 is a fourth image thereof.

FIG. 21 is front view of a steering wheel display screen with graphical user interface showing a first image in the sequence showing our new design.

FIG. 22 is a second image thereof.

(Continued)

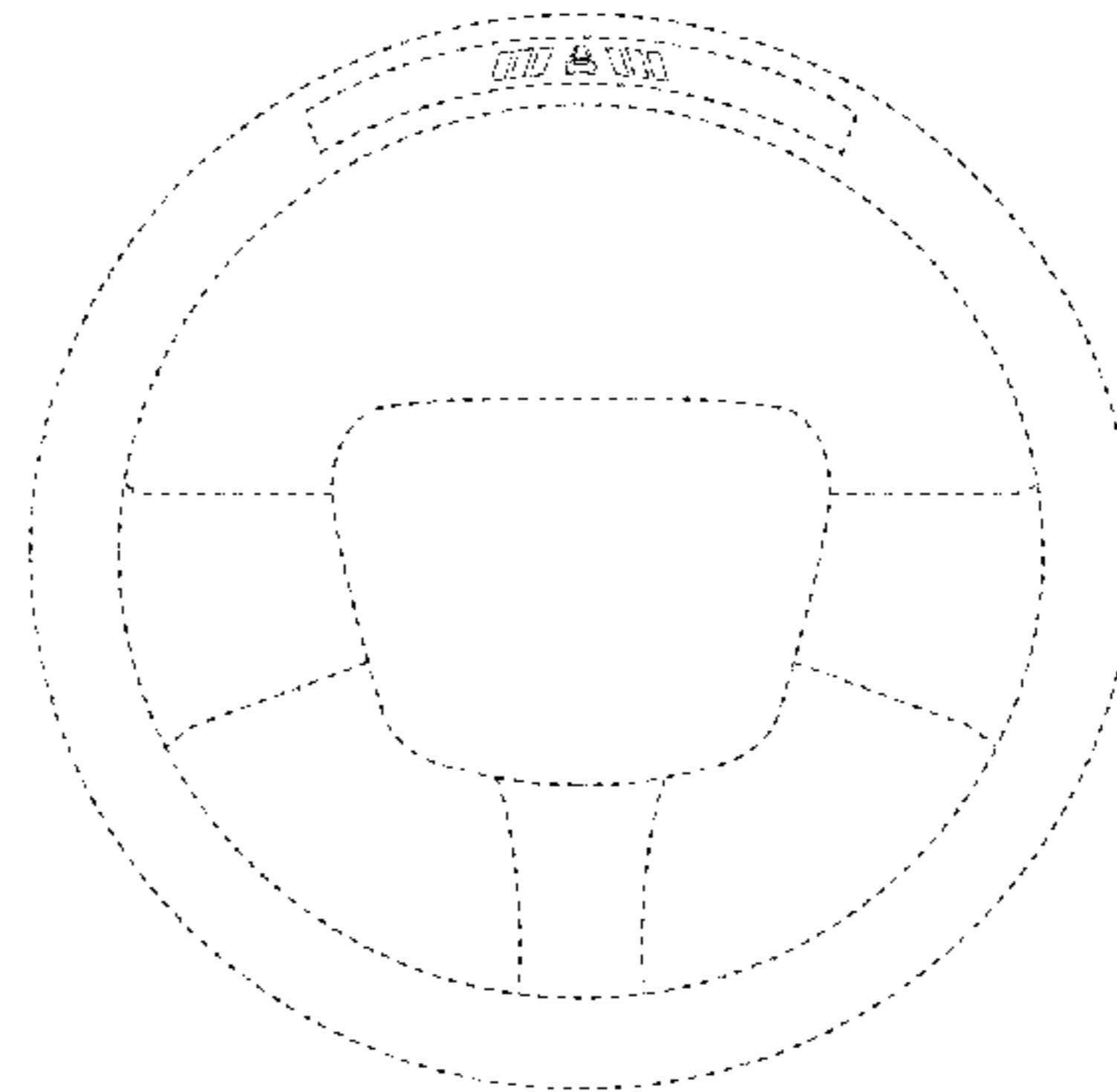
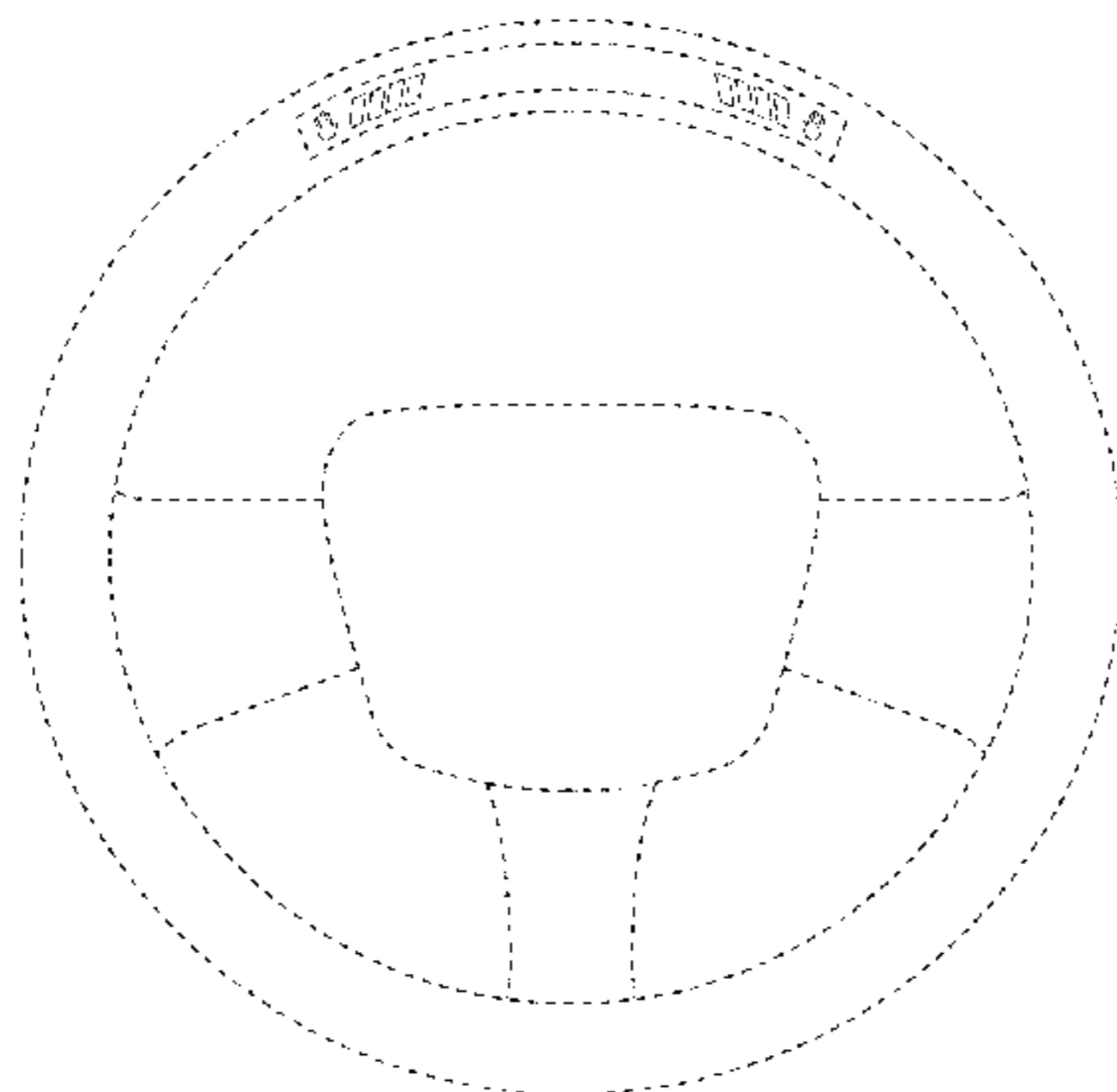


FIG. 23 is a third image thereof; and, FIG. 24 is a fourth image thereof.

The broken lines showing of a display screen is included for the purpose of illustrating portions of the article and forms no part of the claimed design; the broken line showing of a vehicle steering wheel is included for the purpose of illustrating environmental structure and forms no part of the claimed design. The appearance of the animated images sequentially transitions between the images of FIGS. 1-4, FIGS. 5-8, FIGS. 9-12, FIGS. 13-16, FIGS. 17-20, and FIGS. 21-24. The process or period in which one image transitions to another forms no part of the claimed design.

1 Claim, 24 Drawing Sheets

(58) **Field of Classification Search**

CPC G06F 3/048; G06F 3/0481; G06F 3/04817; G06F 3/0482; G06F 3/0483; G06F 3/04842; G06F 3/0485; G06F 3/04855; G06F 3/0486; G06F 3/0488; G06F 3/04886; G06F 9/4443; G06F 17/211; G06F 17/212

See application file for complete search history.

(56) **References Cited**

U.S. PATENT DOCUMENTS

D342,925	S	1/1994	Brajcki	
5,666,102	A	9/1997	Lahiff	
D418,786	S	1/2000	Giamos	
6,190,026	B1	2/2001	Moore	
6,296,380	B1	10/2001	Dawli	
6,668,682	B1	12/2003	Emeneth et al.	
7,414,520	B2	8/2008	Meissner	
7,468,656	B1	12/2008	Frank	
7,525,449	B1	4/2009	Lafontaine	
7,602,278	B2	10/2009	Prost-Fin et al.	
7,605,693	B2	10/2009	Kulas	
7,605,694	B2	10/2009	Prost-Fin et al.	
D607,005	S	12/2009	Ording	
7,672,759	B1	3/2010	Lafontaine	
7,679,495	B2	3/2010	Beutnagel-Buchner et al.	
7,786,886	B2	8/2010	Maruyama et al.	
D641,372	S *	7/2011	Gardner	D14/486
D644,661	S *	9/2011	Gardner	D14/495
D644,662	S *	9/2011	Gardner	D14/491
8,067,709	B2	11/2011	Han et al.	
8,136,425	B2	3/2012	Bostick	
8,198,996	B2	6/2012	Golomb et al.	
D687,845	S *	8/2013	Lee	D14/486
D687,851	S *	8/2013	Sloo	D14/487
D688,680	S *	8/2013	Fleischmann	D14/486
8,783,132	B2	7/2014	Neumann et al.	
D719,184	S *	12/2014	Aoshima	D14/487
D721,381	S *	1/2015	Pereira	D14/485
D722,072	S *	2/2015	Sloo	D14/486
D746,324	S *	12/2015	Kim	D14/489
D752,632	S	3/2016	Seo et al.	
D753,704	S *	4/2016	Paolantonio	D14/488
D766,305	S	9/2016	Mochizuki	

D770,472	S *	11/2016	Lee	D14/485
D801,386	S *	10/2017	Xu	D14/489
2003/0121360	A1	7/2003	Hussy	
2006/0070795	A1	4/2006	Meissner	
2006/0236807	A1	10/2006	Yasuda	
2008/0023253	A1	1/2008	Prost-Fin et al.	
2008/0202282	A1	8/2008	Bassett et al.	
2009/0189373	A1	7/2009	Schramm et al.	
2009/0223321	A1	9/2009	Stefani	
2010/0218641	A1	9/2010	Neumann et al.	
2011/0153160	A1	6/2011	Hesseling et al.	
2011/0187518	A1	8/2011	Strumolo et al.	
2011/0198201	A1	8/2011	Chuang	
2012/0267222	A1	10/2012	Gohng et al.	
2013/0152721	A1	6/2013	Trendov et al.	
2014/0109719	A1	4/2014	Lisseman et al.	
2014/0111324	A1	4/2014	Lisseman et al.	
2014/0111325	A1	4/2014	Lisseman et al.	
2014/0244115	A1	8/2014	Sanma et al.	
2014/0301097	A1	10/2014	Neumann et al.	
2015/0251600	A1	9/2015	Mochizuki	
2015/0253922	A1	9/2015	Goodlein	

FOREIGN PATENT DOCUMENTS

WO	1998/003365	1/1998
WO	2005/025936	3/2005
WO	2006/127835	11/2006
WO	2009/111098	9/2009
WO	2010/051090	5/2010
WO	2010/087931	8/2010

OTHER PUBLICATIONS

U.S. Appl. No. 14/061,397, filed Oct. 23, 2013, issued U.S. Pat. No. 9,233,638.

U.S. Appl. No. 14/061,383, filed Oct. 23, 2013, issued U.S. Pat. No. 9,308,856.

U.S. Appl. No. 14/061,408, filed Oct. 23, 2013, issued U.S. Pat. No. 9,308,857.

U.S. Appl. No. 14/806,325, filed Jul. 22, 2015, Publication No. 2016-0025281.

U.S. Appl. No. 14/635,547 filed Mar. 2, 2015, issued U.S. Pat. No. 9,580,012.

Design U.S. Appl. No. 29/524,993, filed Apr. 24, 2015.

Non-Final Office Action issued in U.S. Appl. No. 29/524,993, dated Nov. 2, 2016.

Design U.S. Appl. No. 29/524,998, filed Apr. 24, 2015.

Non-Final Office Action issued in U.S. Appl. No. 29/524,998, dated Oct. 31, 2016.

Design U.S. Appl. No. 29/525,000, filed Apr. 24, 2015.

Non-Final Office Action issued in U.S. Appl. No. 29/525,000, dated Nov. 1, 2016.

Final Office Action issued in U.S. Appl. No. 29/525,000, dated May 5, 2017.

U.S. Patent Application Publication No. 2016-0311366, filed Apr. 25, 2016.

CSW Steering Wheel with Driving Instructions, NaviGadget [online], published Apr. 8, 2008 [retrieved Oct. 24, 2016], retrieved from the internet <URL: <http://www.navigadget.com/index.php/2008/04/08/csw-steering-wheel-with-driving-instructions>>.

* cited by examiner

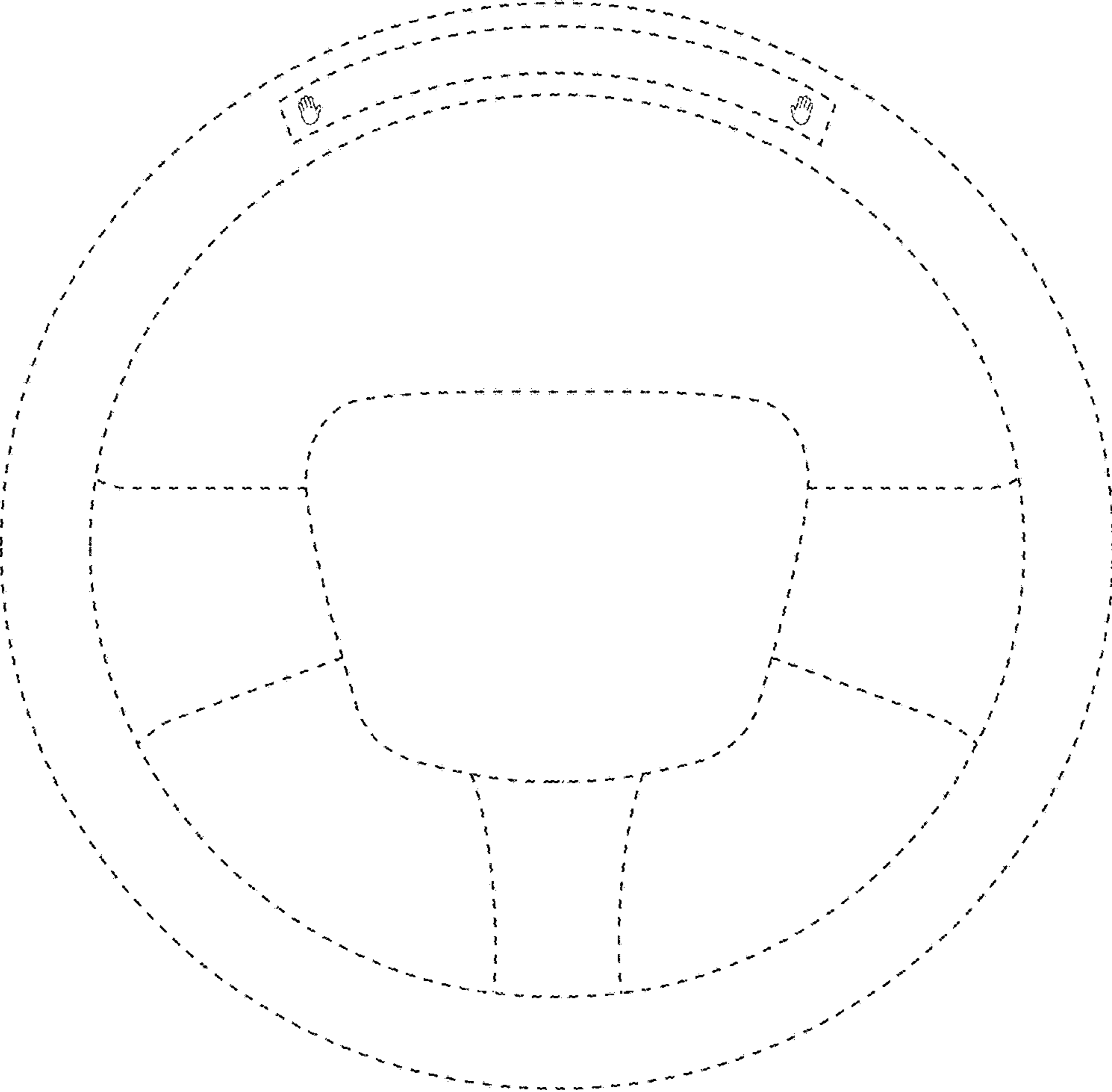


FIG. 1

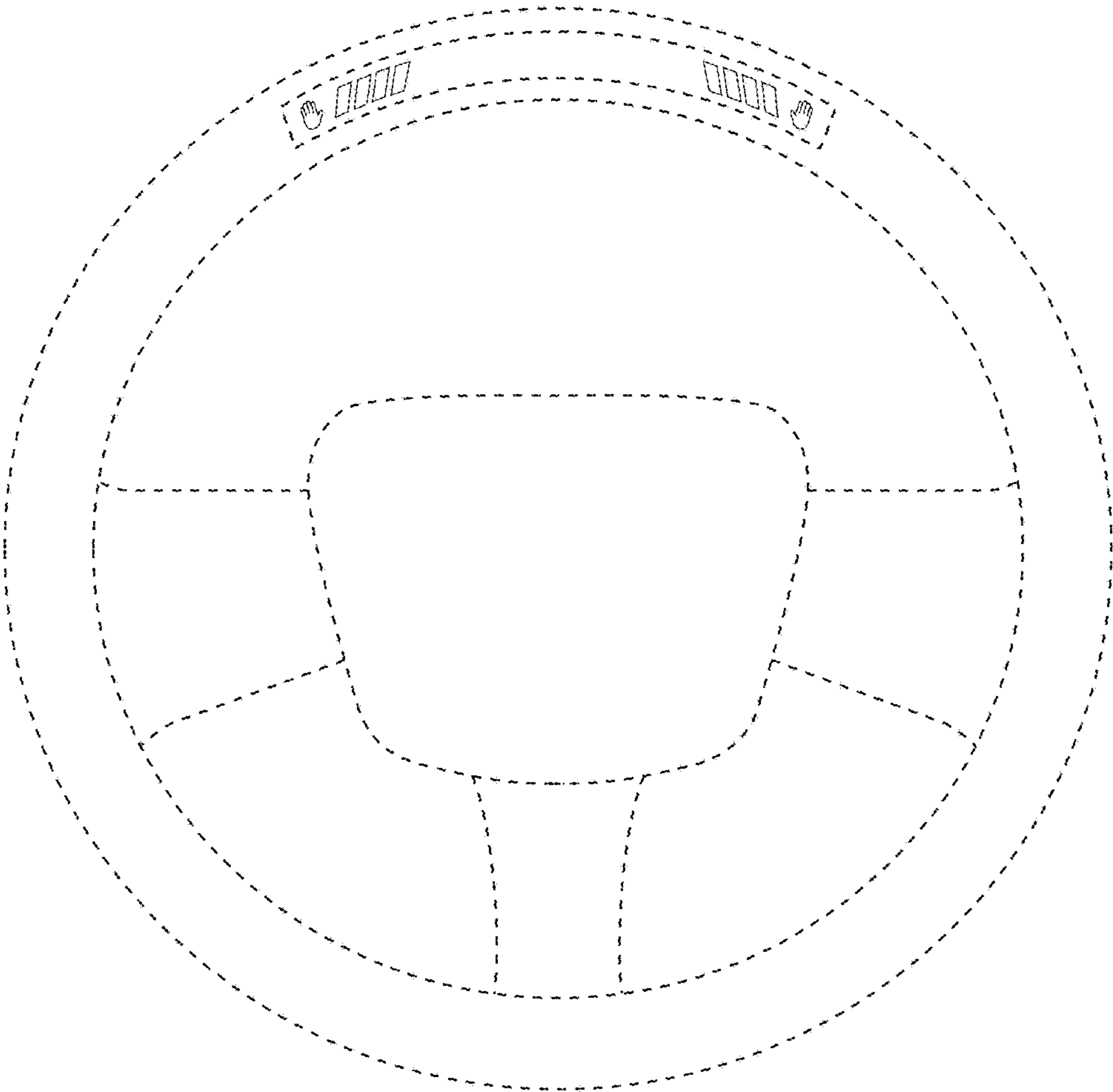


FIG. 2

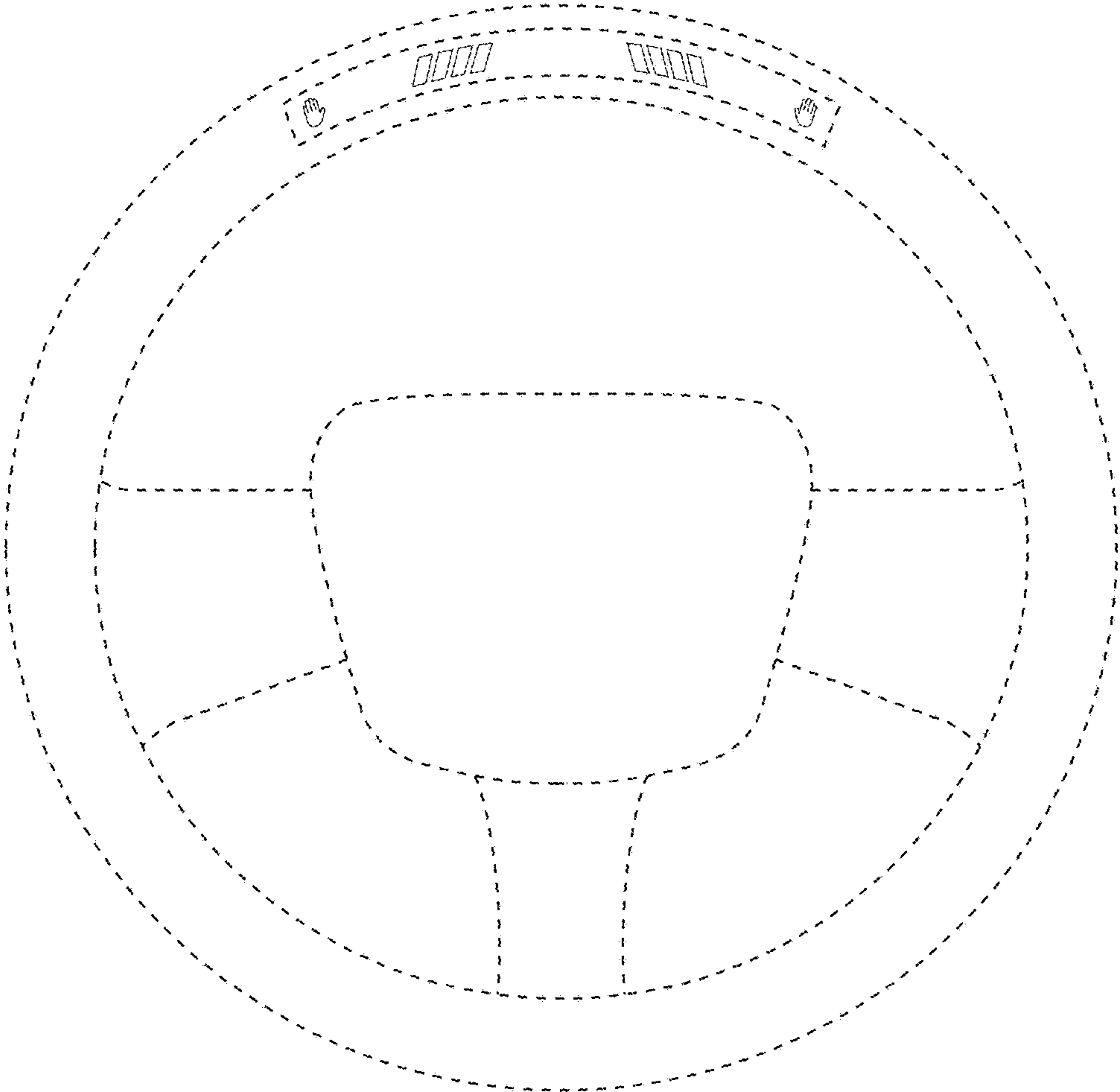


FIG. 3

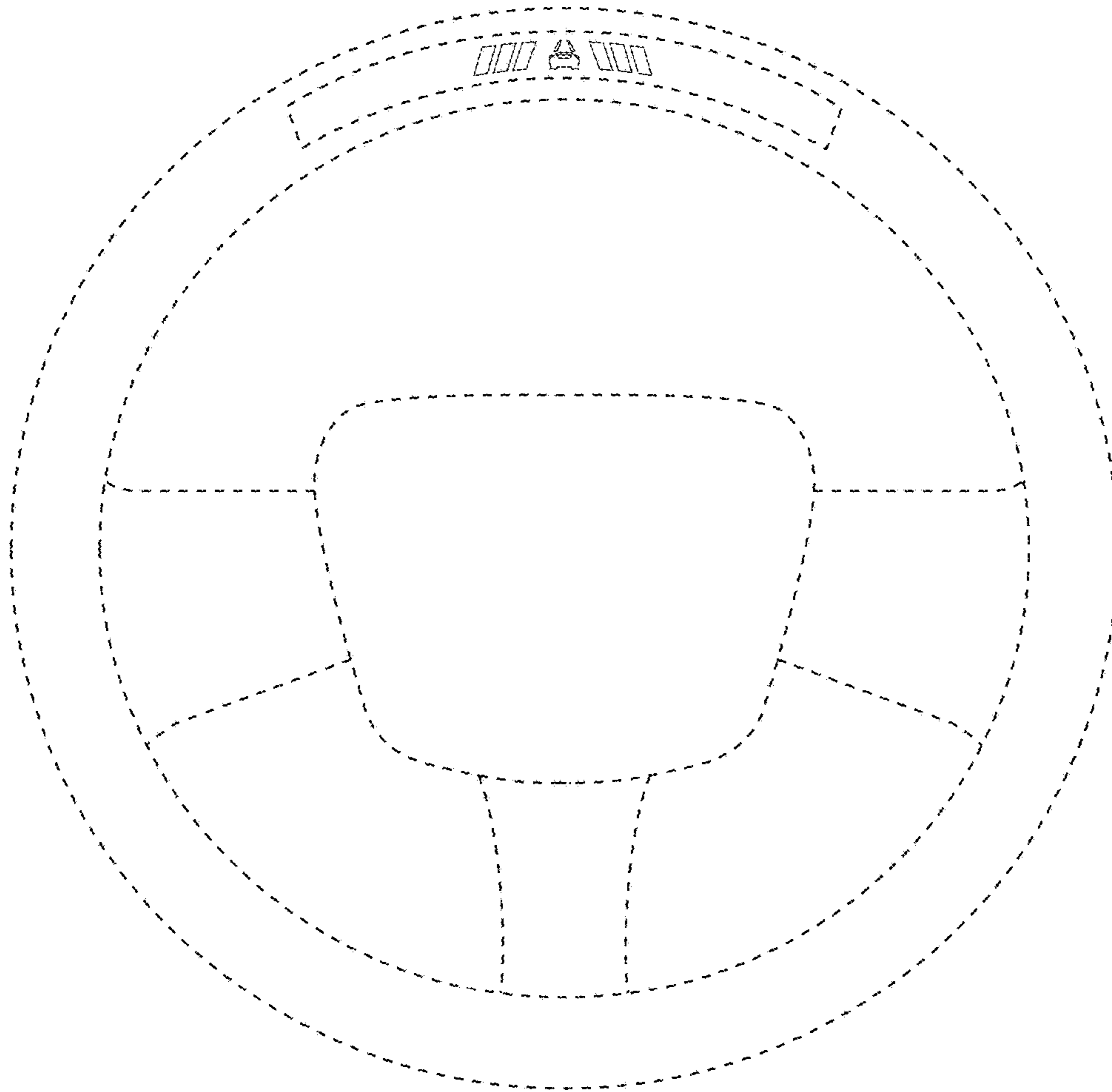


FIG. 4

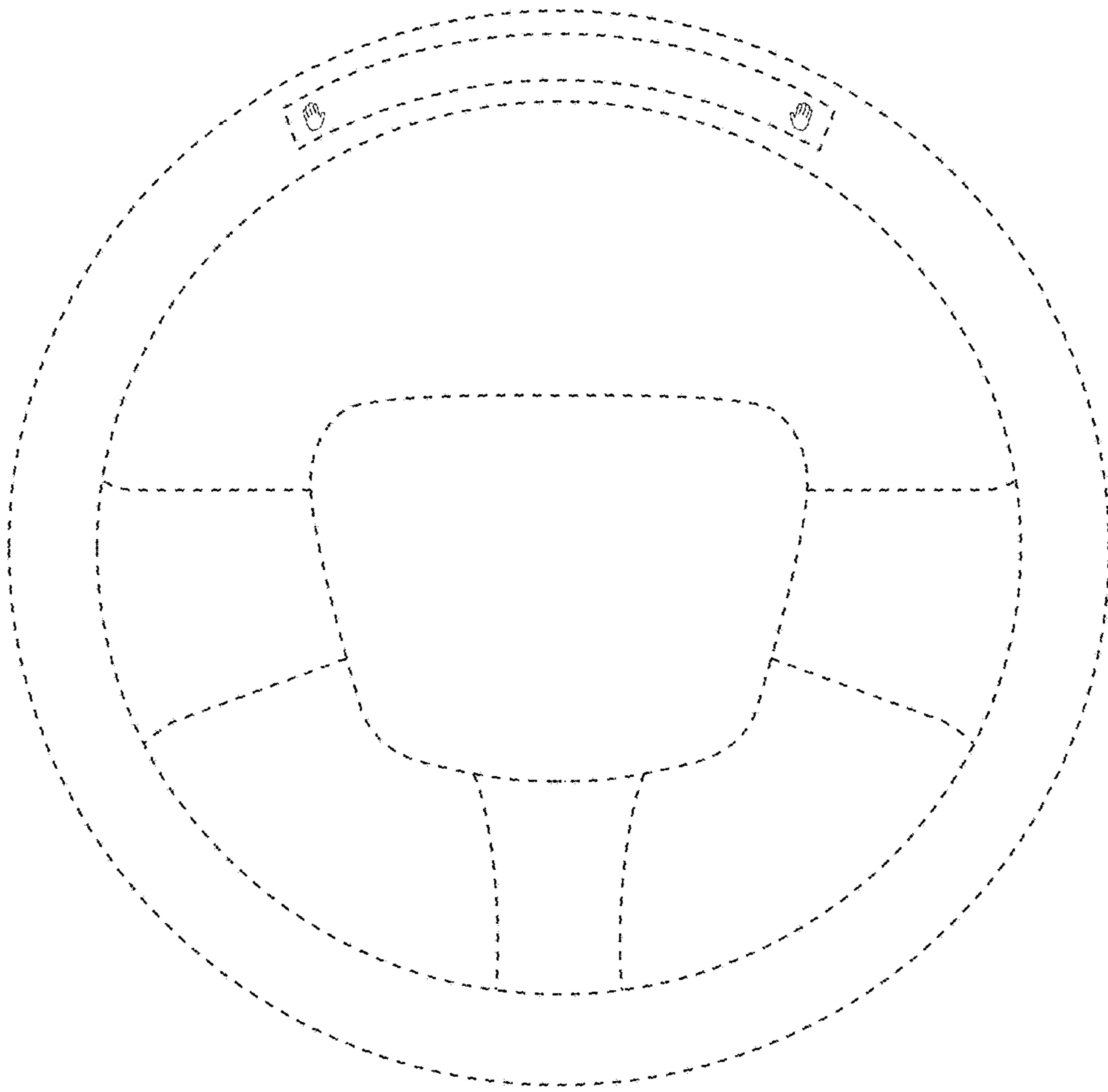


FIG. 5

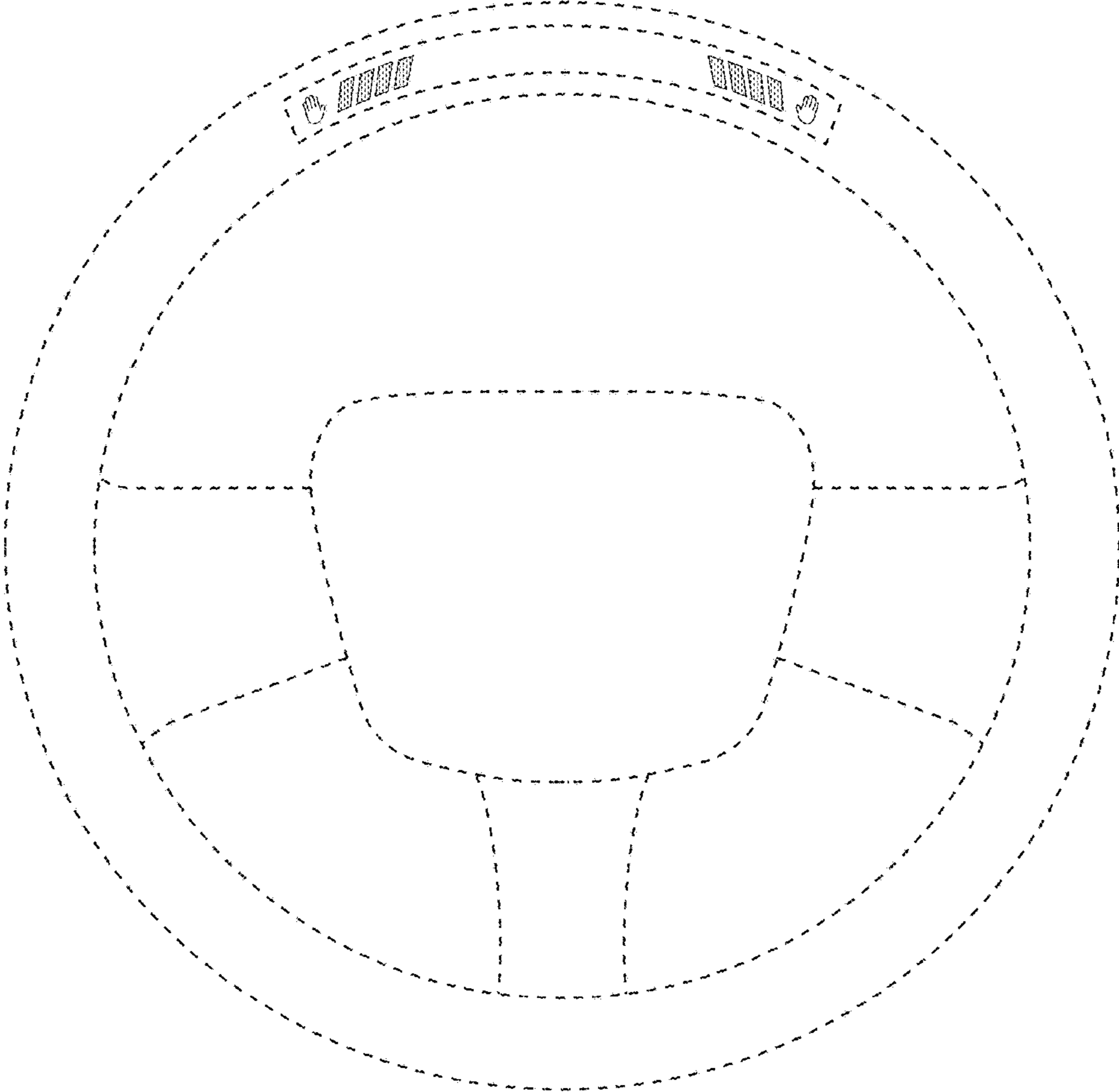


FIG. 6

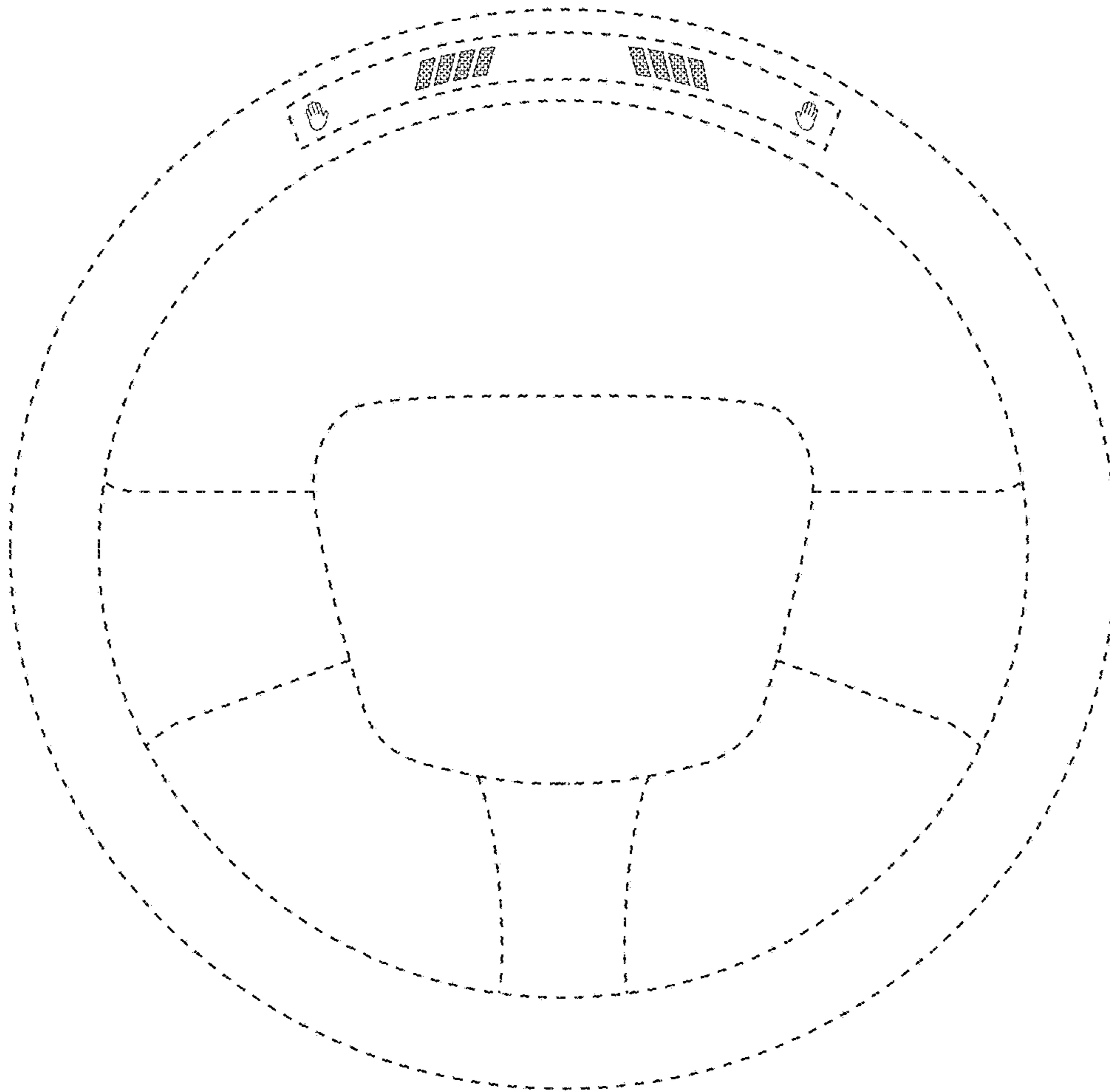


FIG. 7

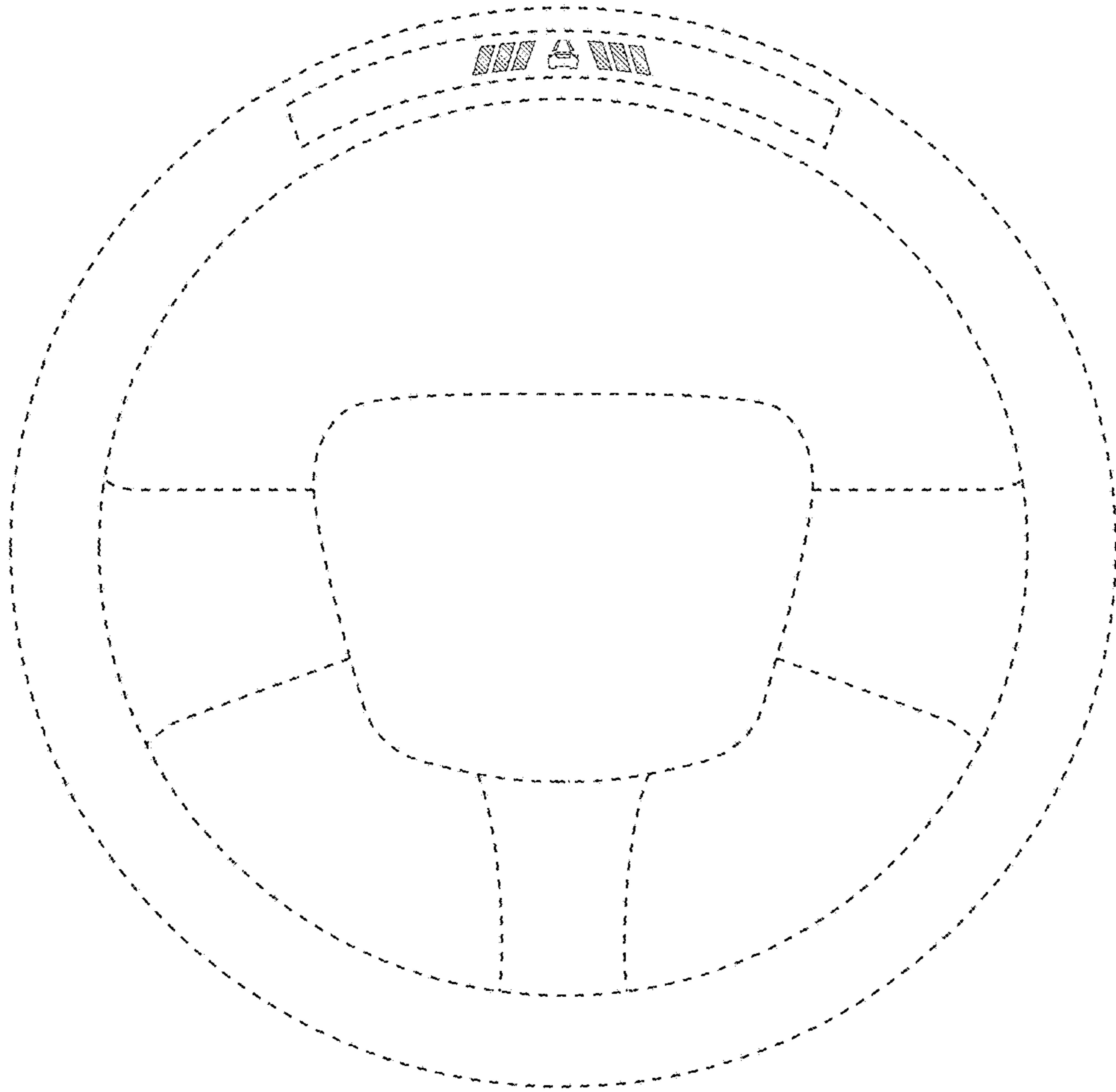


FIG. 8

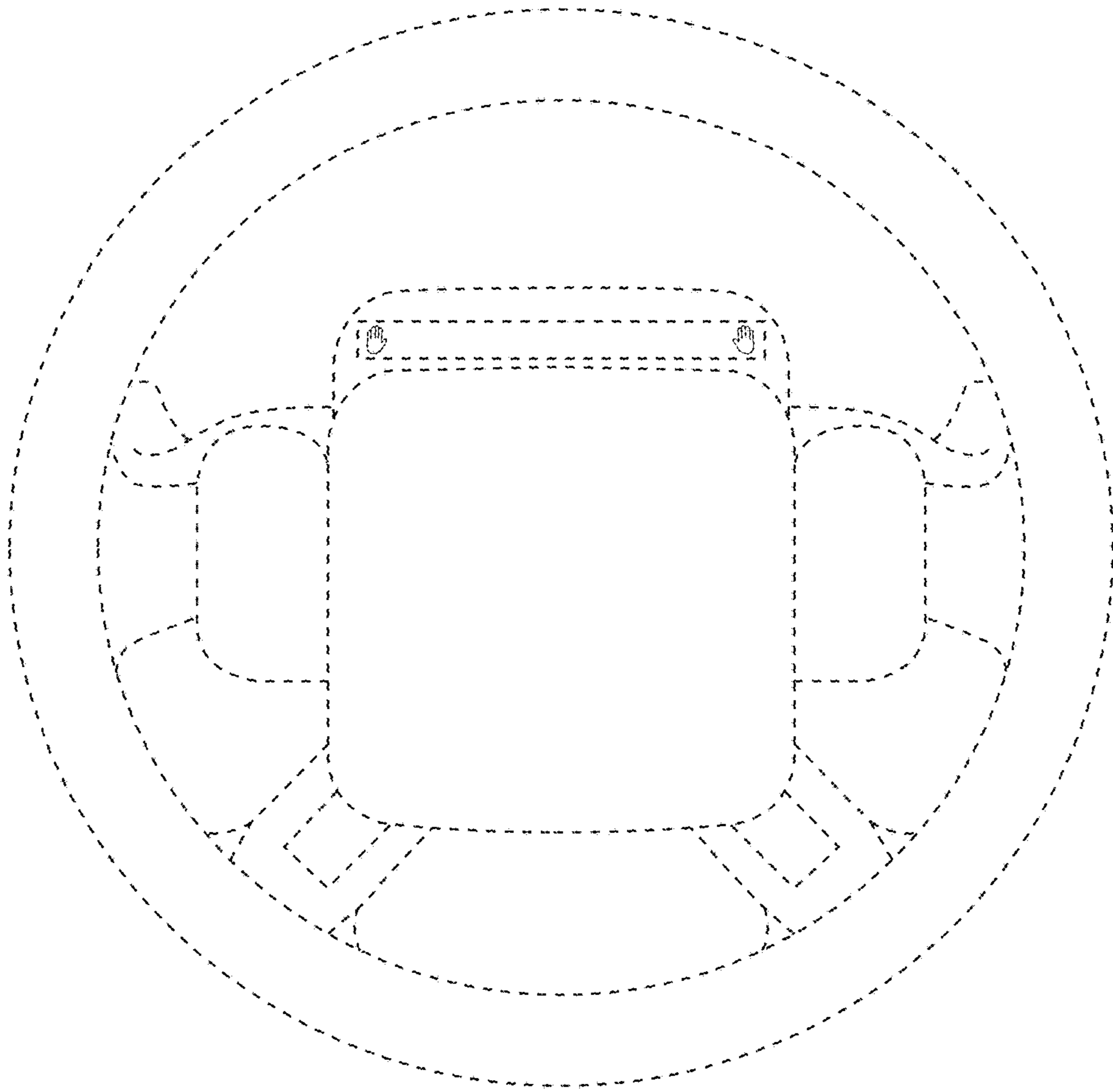


FIG. 9

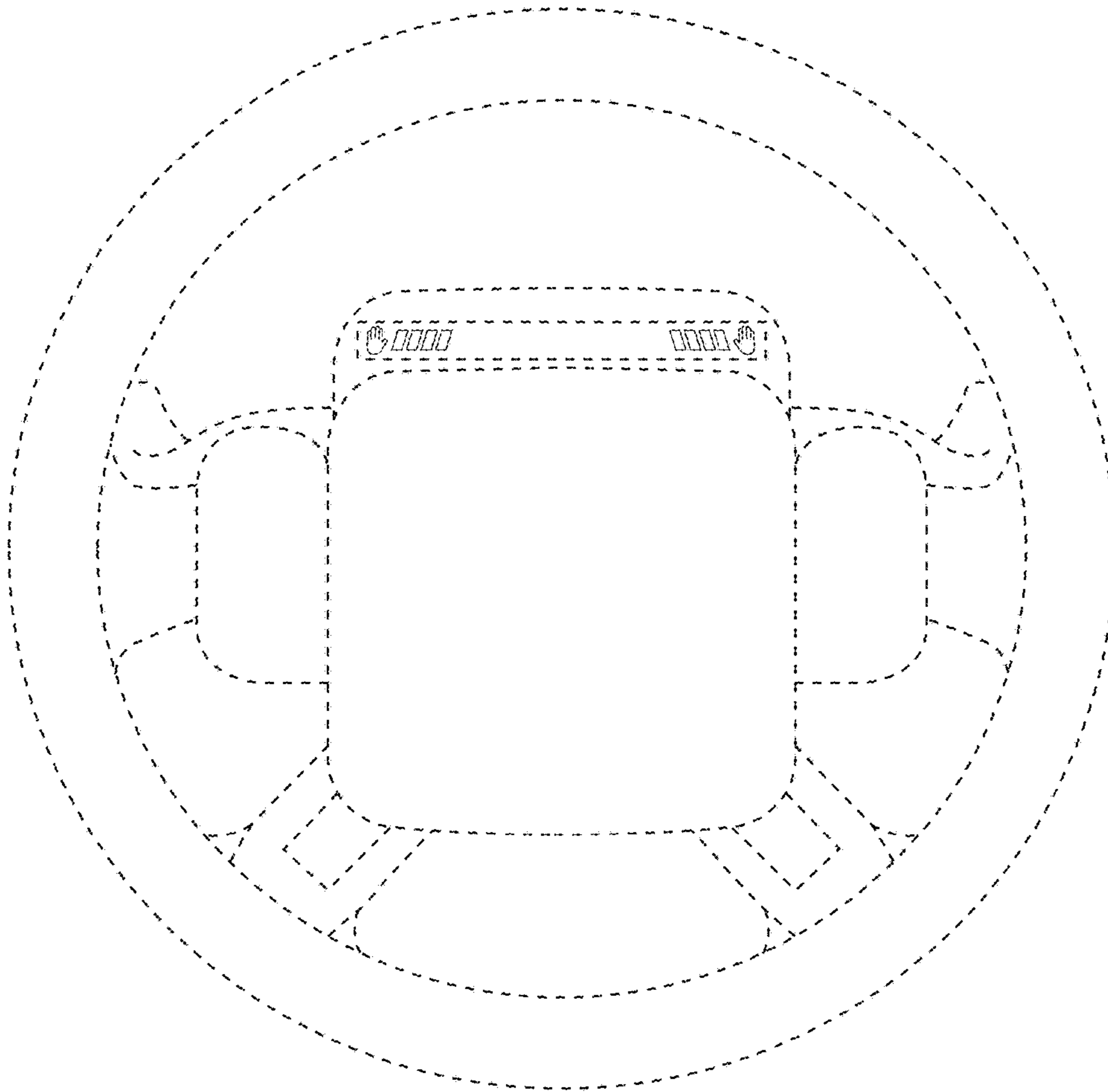


FIG. 10

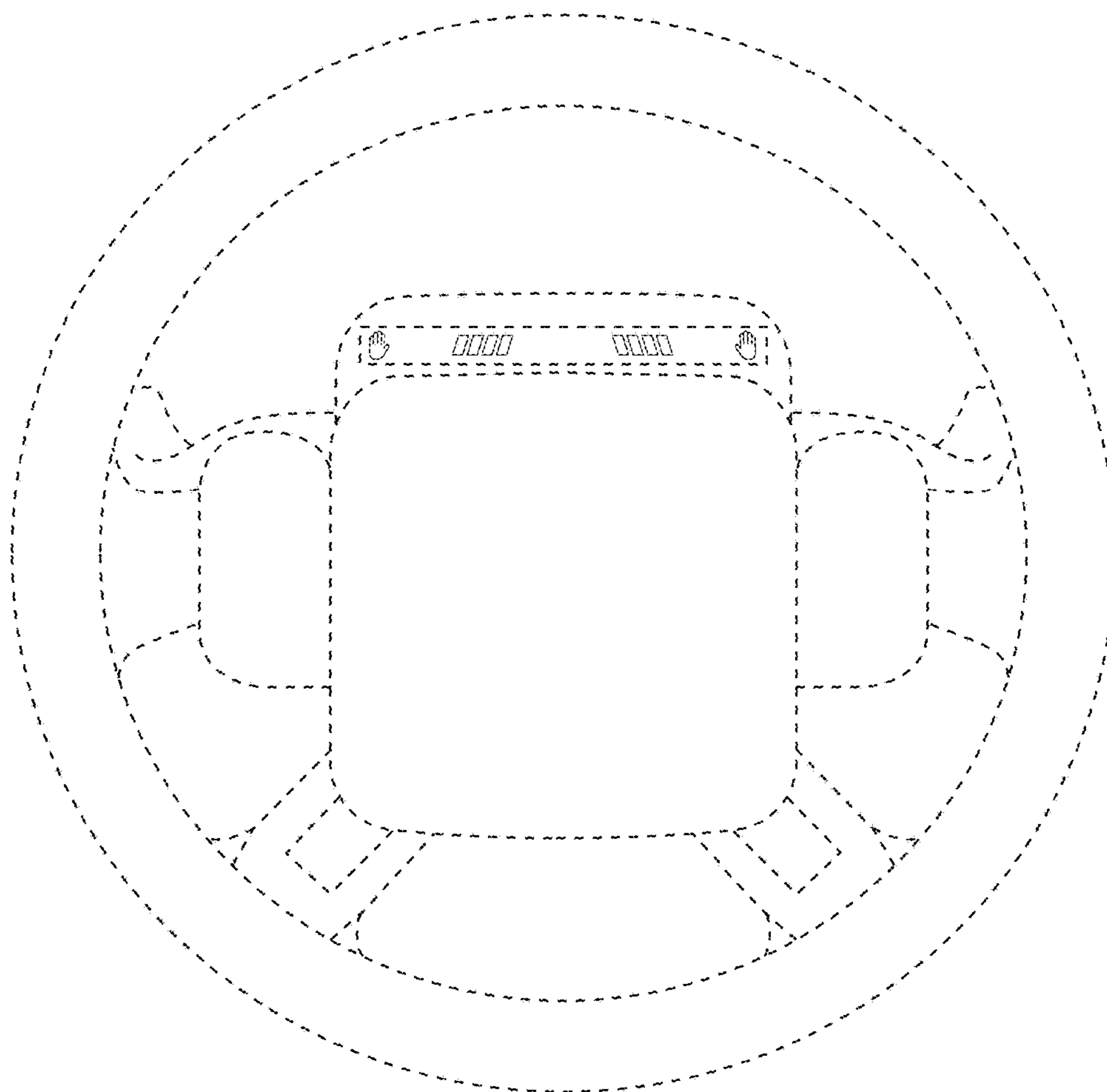


FIG. 11

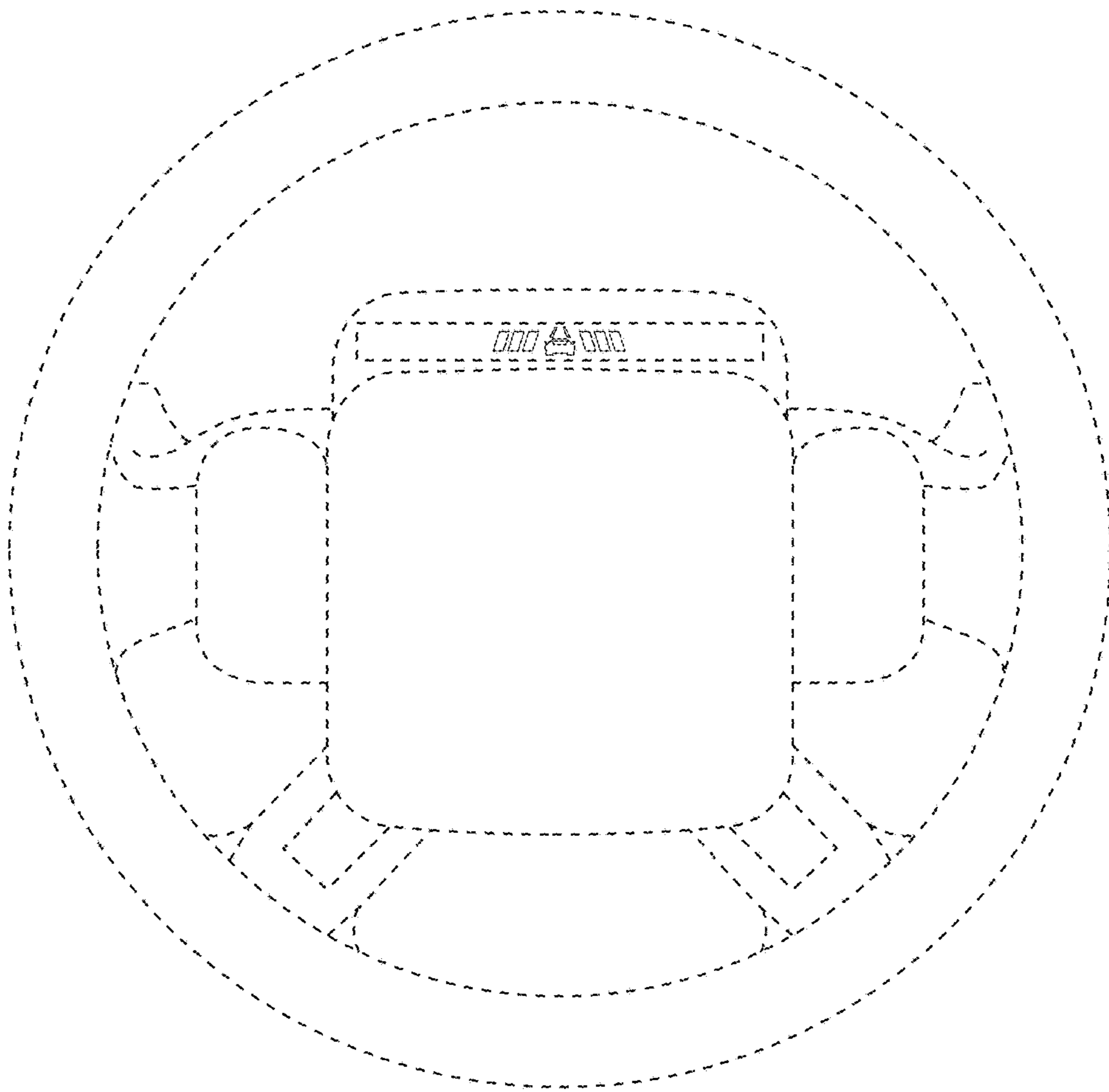


FIG. 12

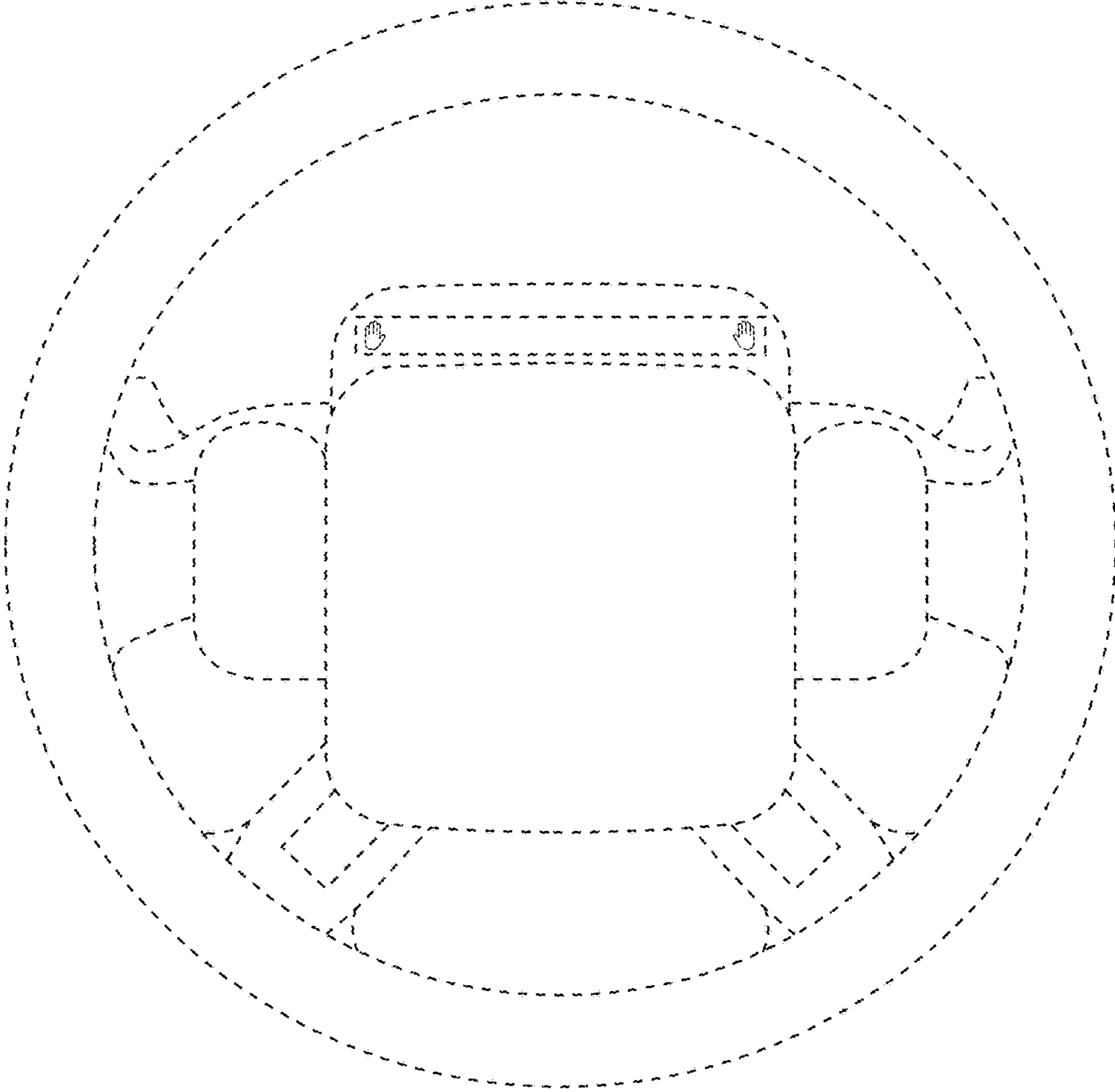


FIG. 13

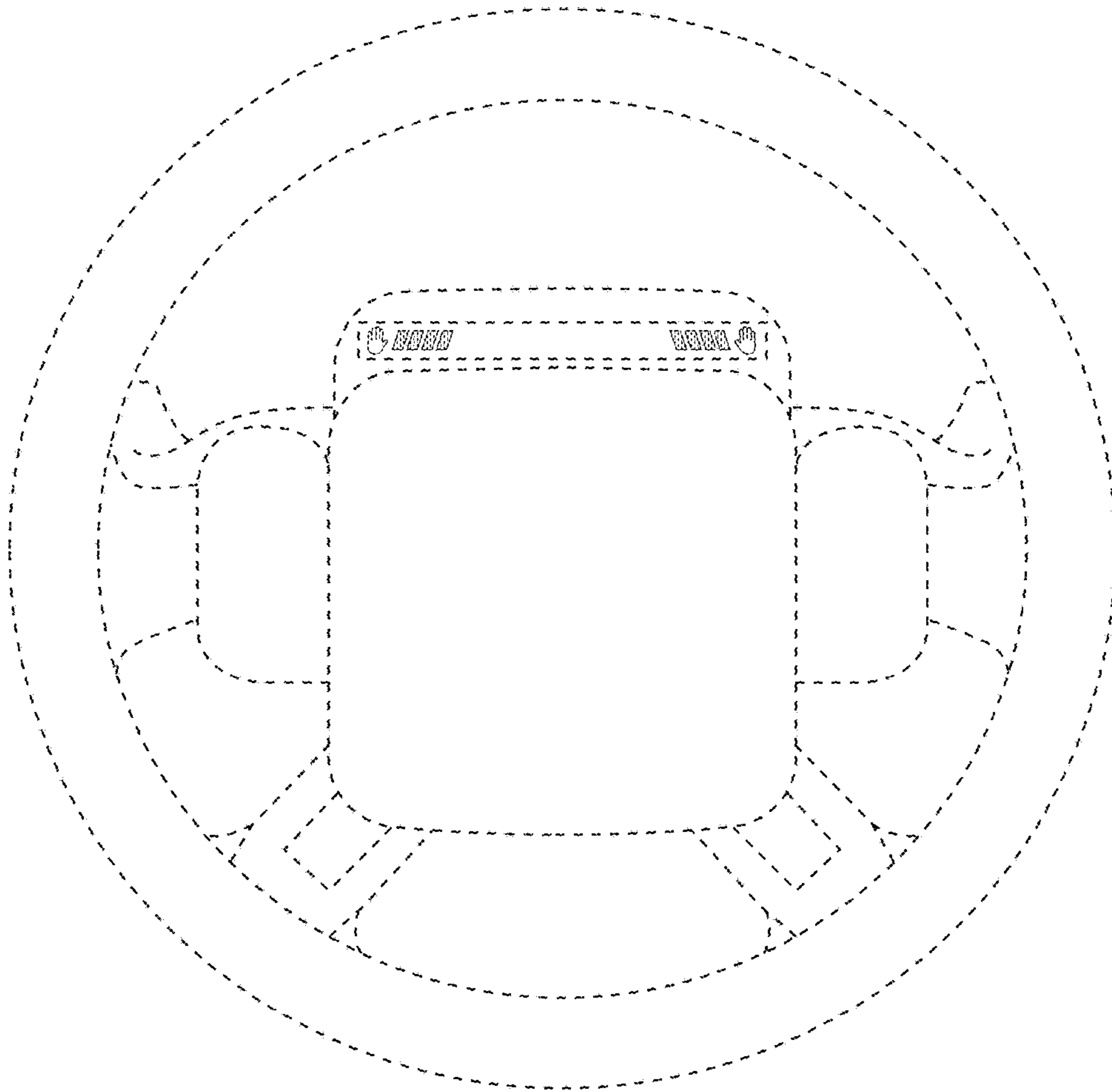


FIG. 14

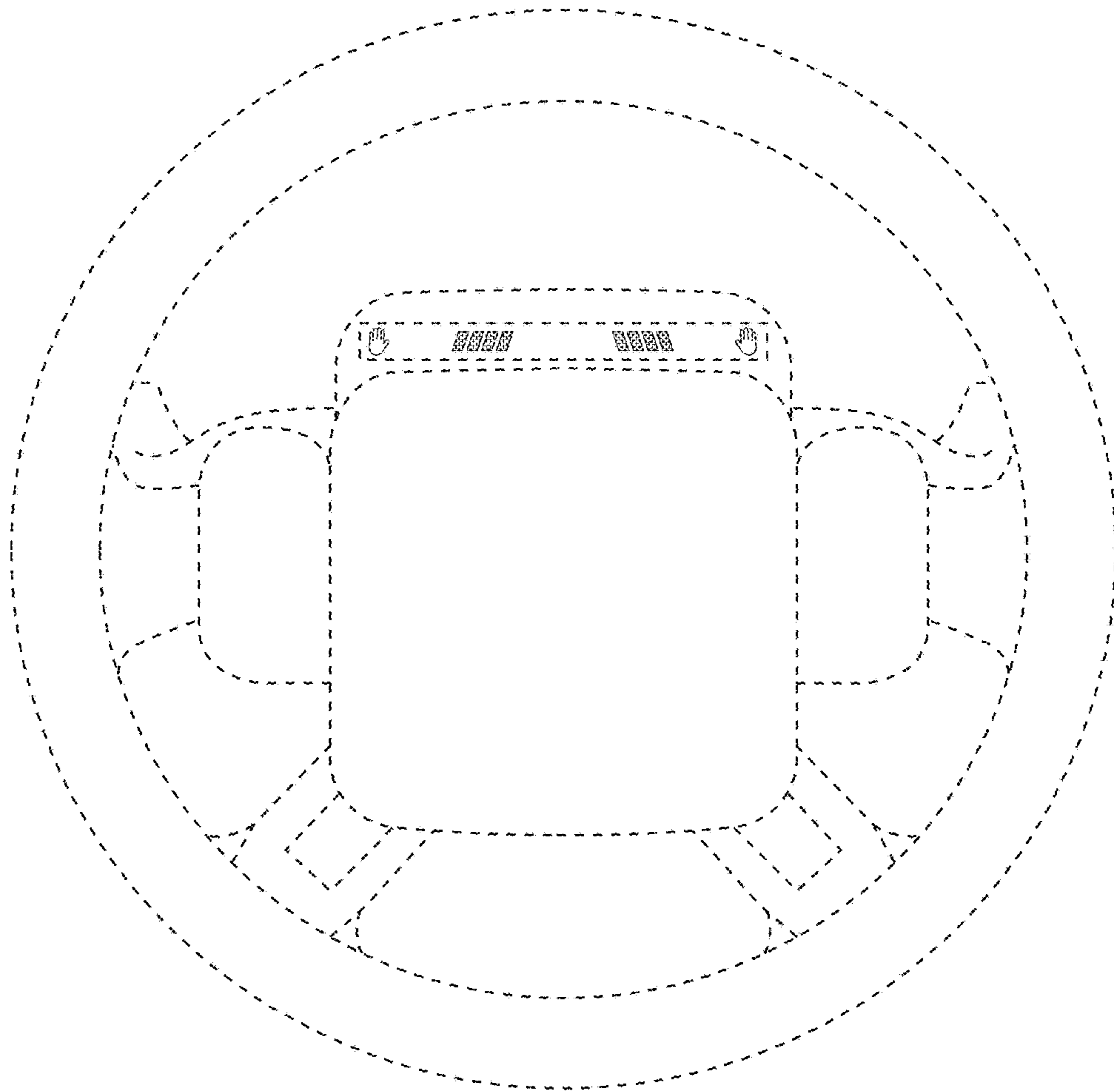


FIG. 15

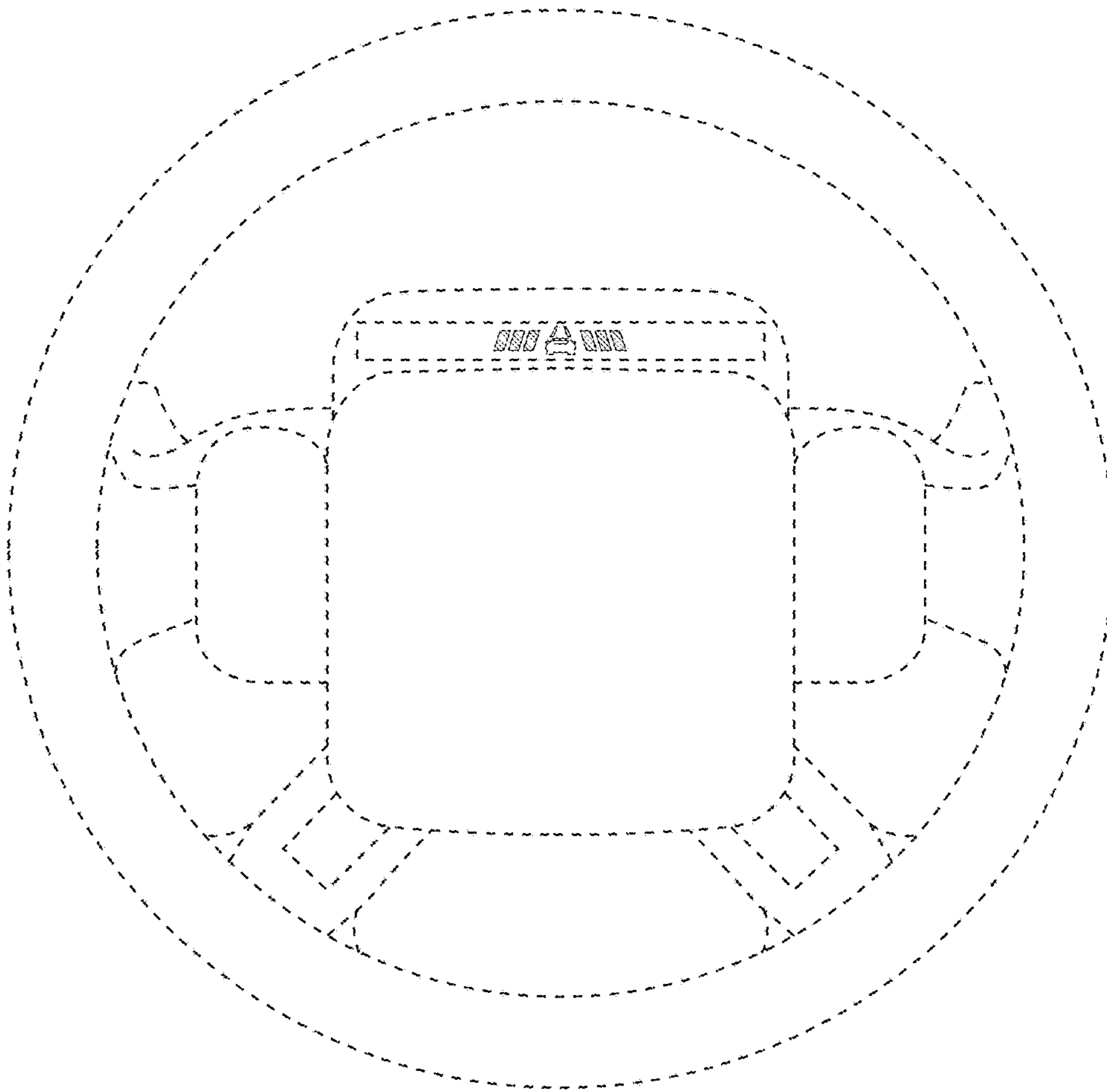


FIG. 16

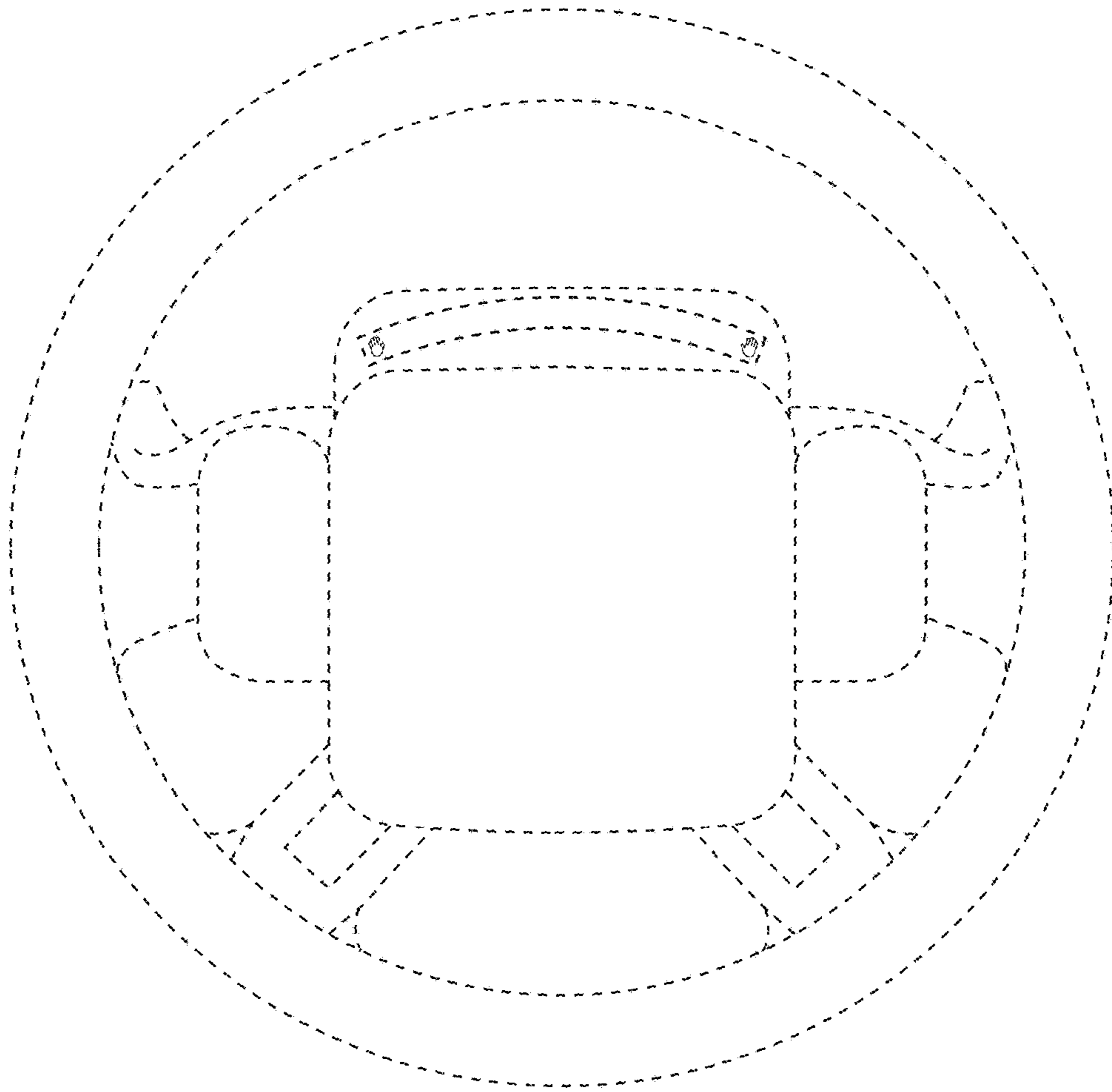


FIG. 17

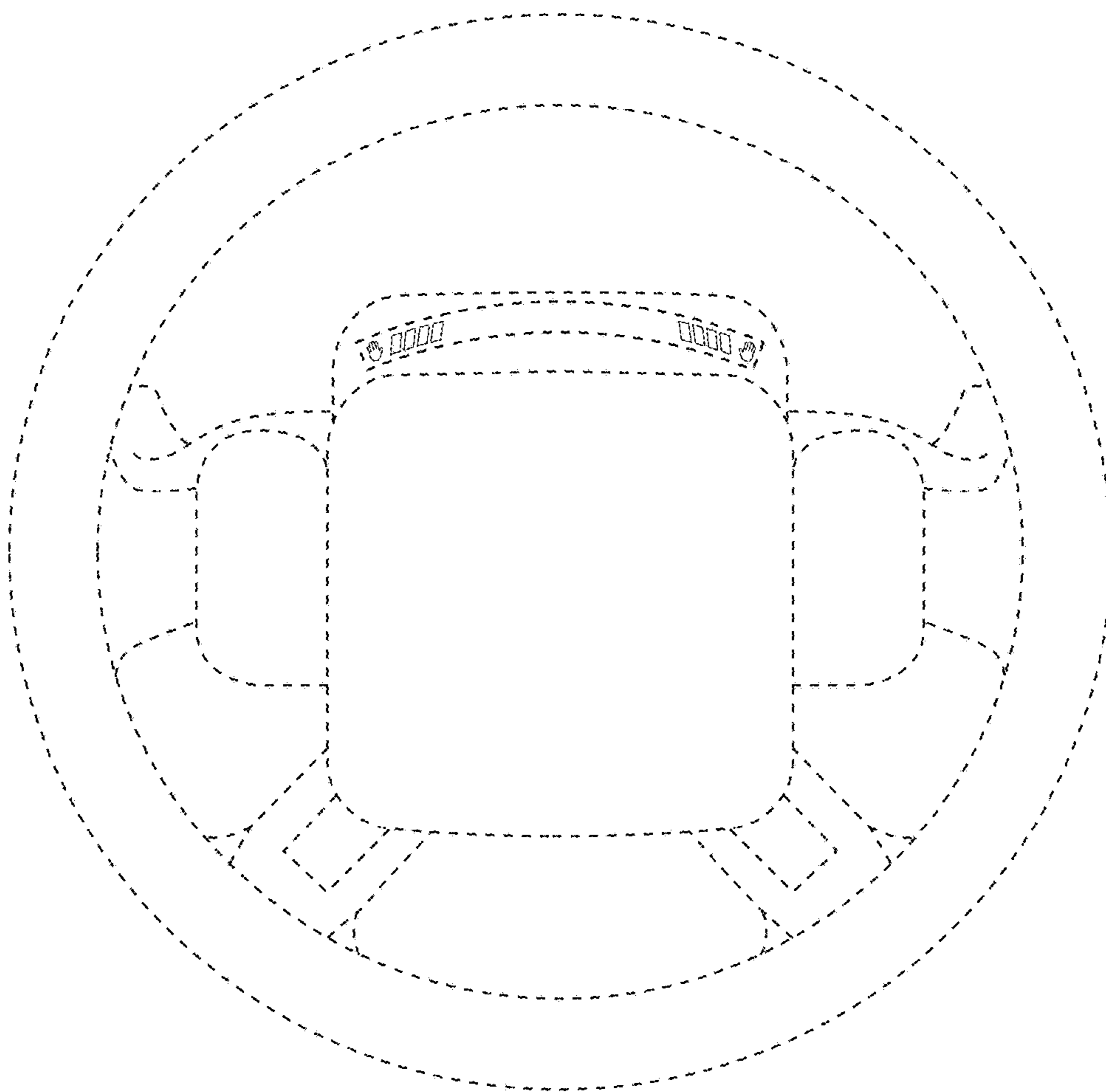


FIG. 18

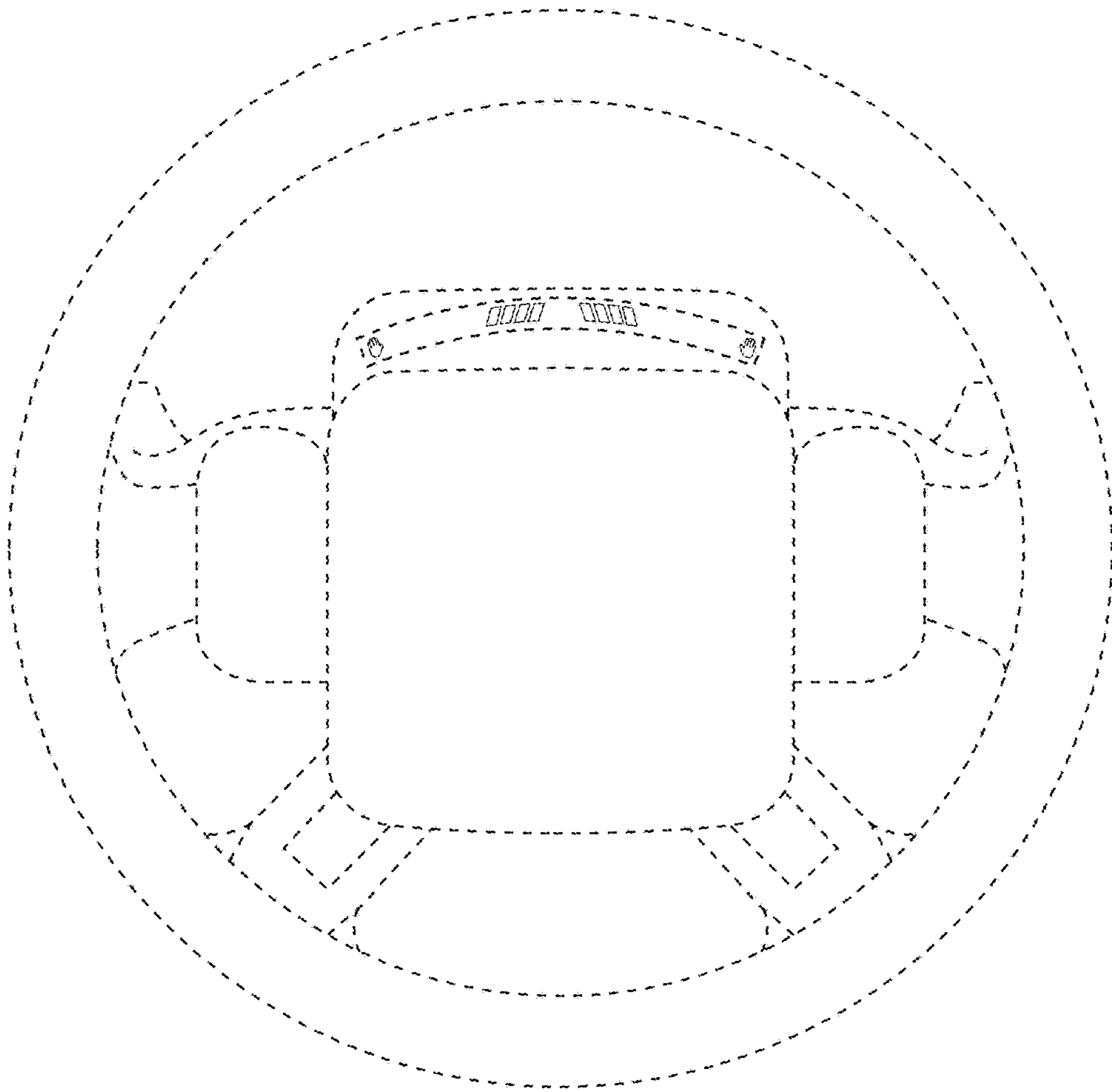


FIG. 19

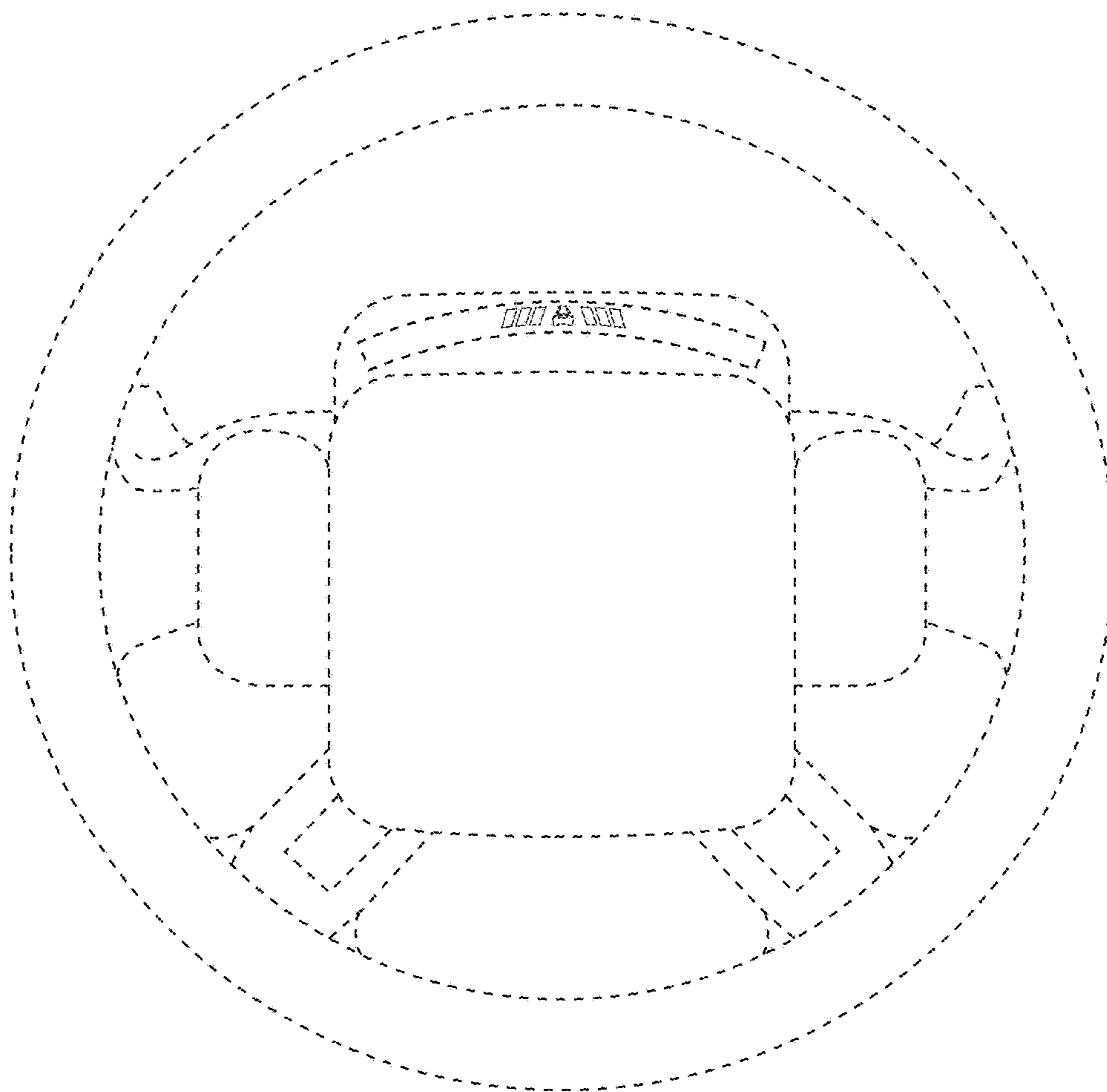


FIG. 20

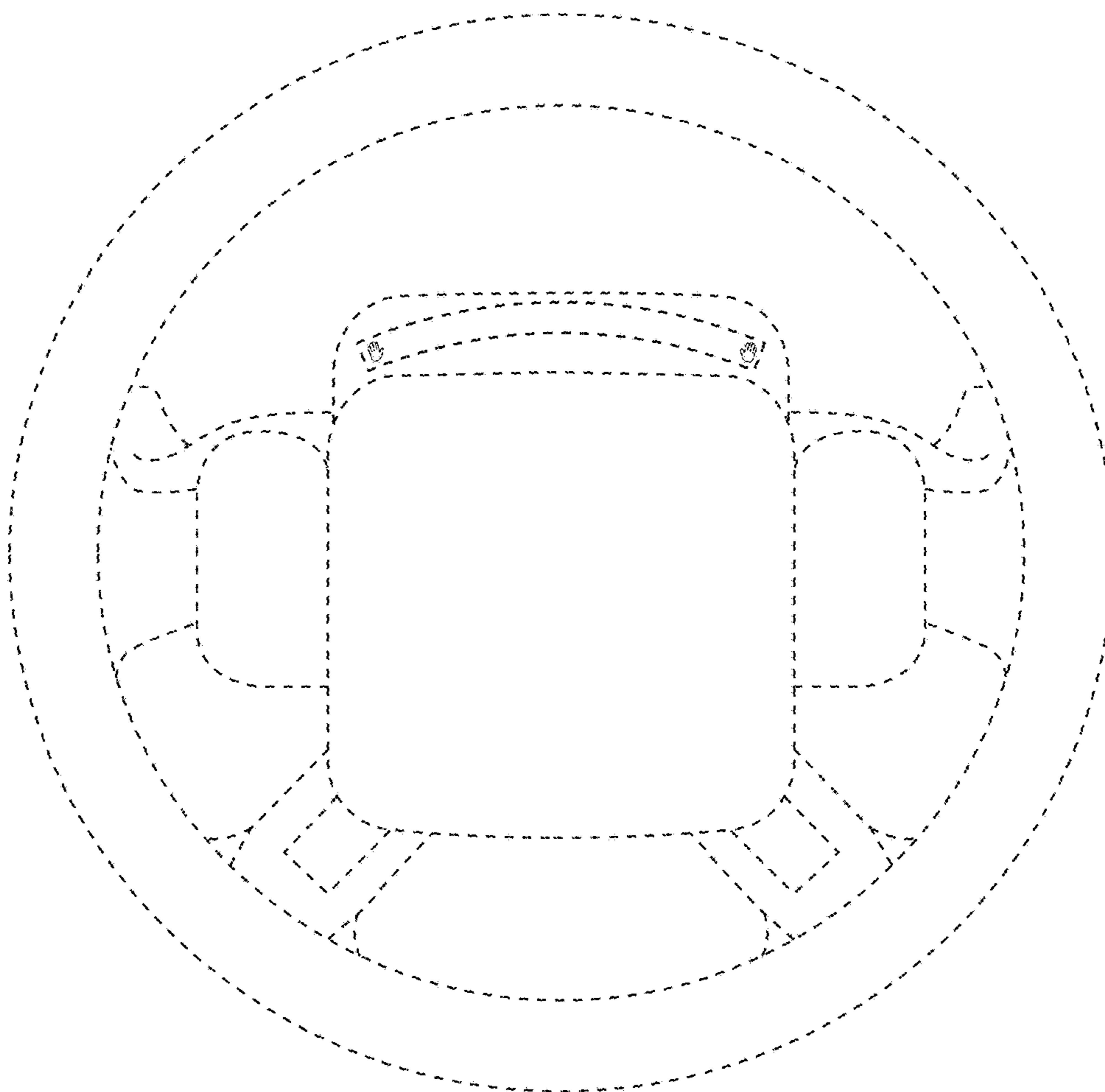


FIG. 21

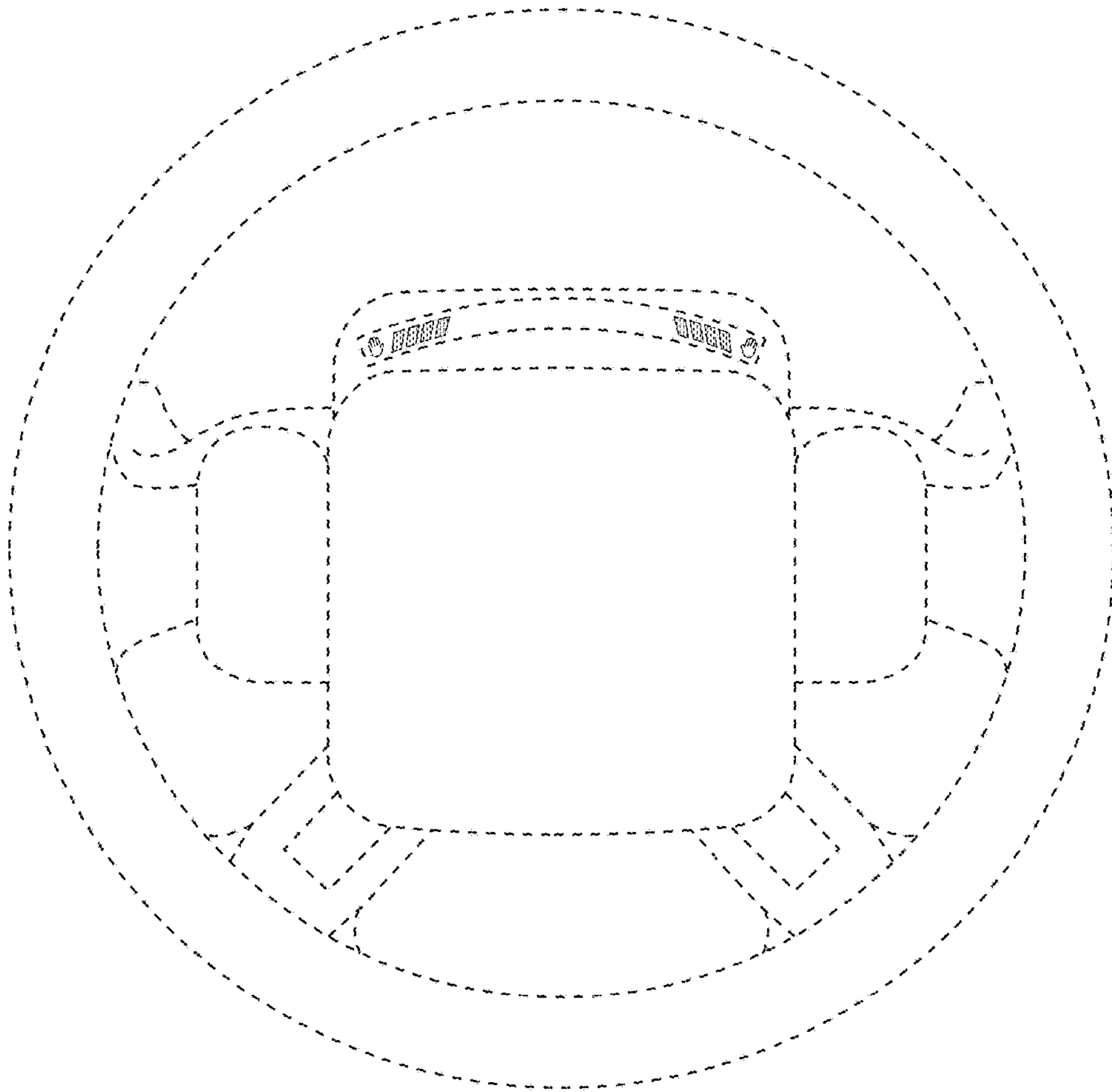


FIG. 22

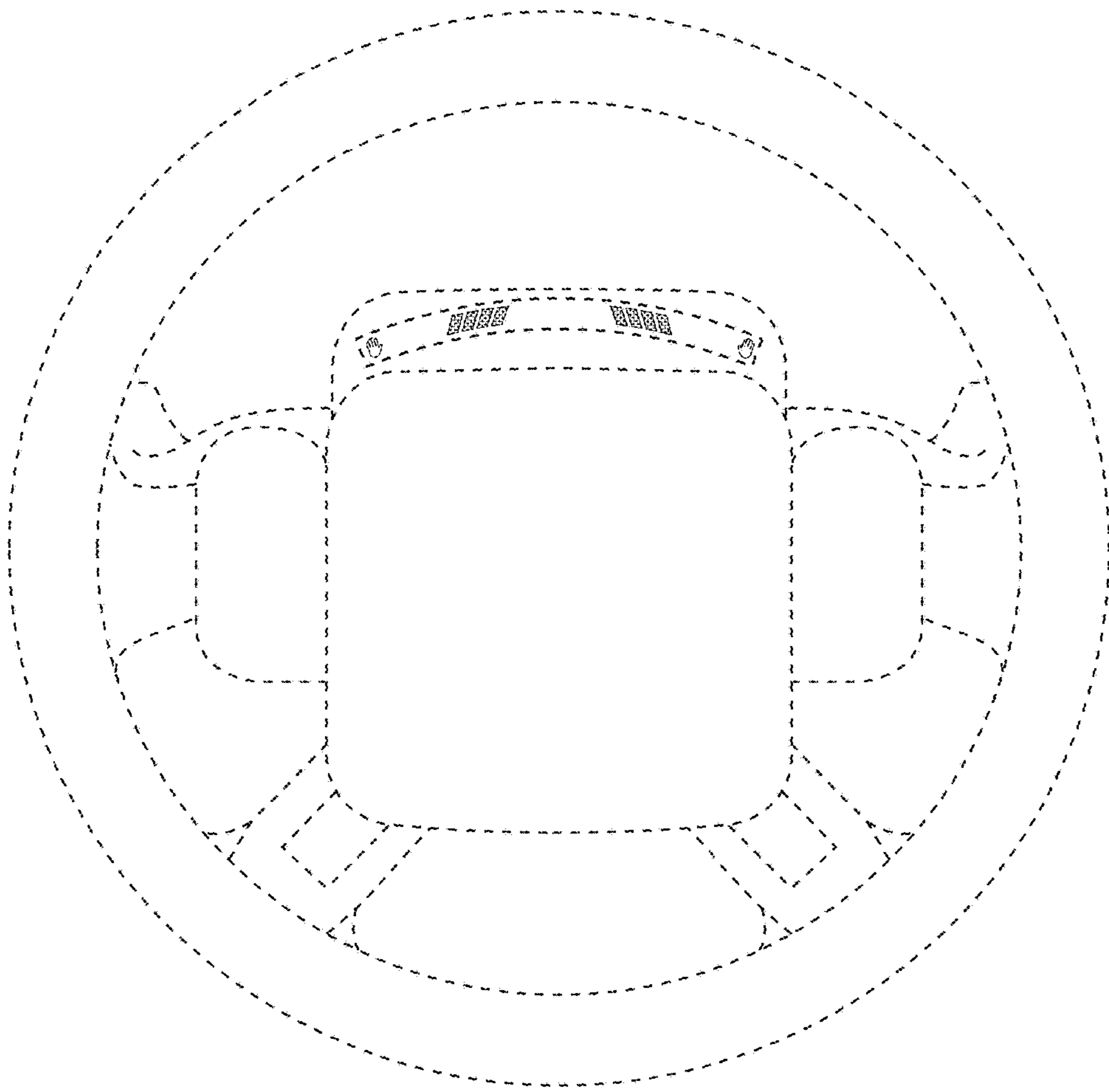


FIG. 23

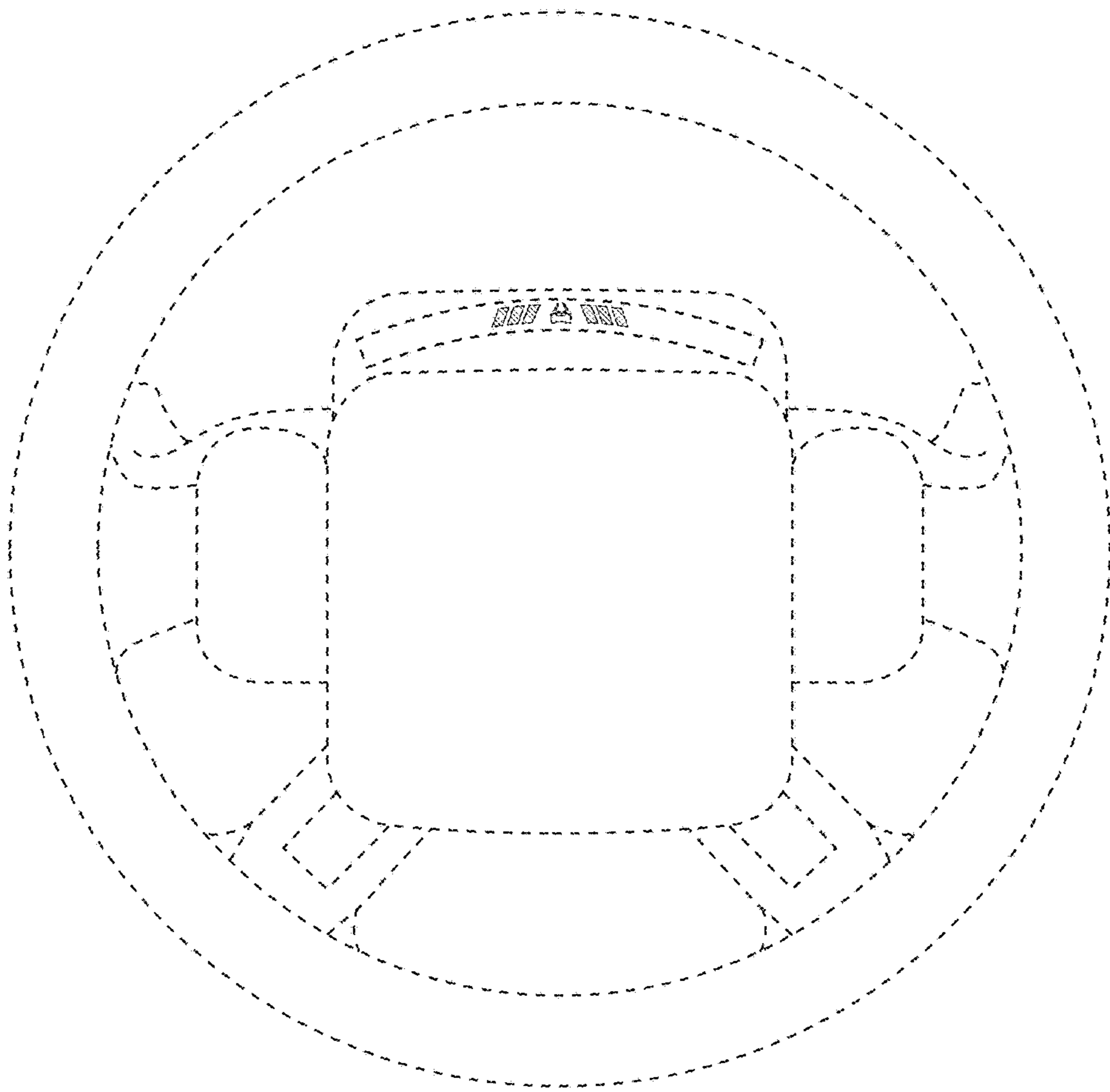


FIG. 24