

US00D847186S

(12) **United States Design Patent**
Chen

(10) **Patent No.:** **US D847,186 S**

(45) **Date of Patent:** **** Apr. 30, 2019**

(54) **DISPLAY SCREEN WITH USER INTERFACE**

(71) Applicant: **GEOSAT Aerospace & Technology,**
Tainan (TW)

(72) Inventor: **Wei-Yu Chen,** Taipei (TW)

(73) Assignee: **GEOSAT Aerospace & Technology,**
Tainan (TW)

(**) Term: **15 Years**

(21) Appl. No.: **29/632,509**

(22) Filed: **Jan. 8, 2018**

(51) **LOC (11) Cl.** **14-04**

(52) **U.S. Cl.**
USPC **D14/486; D14/492**

(58) **Field of Classification Search**
USPC D14/485-495
CPC G06F 2209/5017; G01C 21/36; G07C 5/12
See application file for complete search history.

(56) **References Cited**

U.S. PATENT DOCUMENTS

D468,750 S *	1/2003	Lane	D14/492
D608,792 S *	1/2010	Canu-Chiesa	D14/492
D682,314 S *	5/2013	Lau	D14/492
D708,634 S *	7/2014	Baumann	D14/489
D766,934 S *	9/2016	Vulk	D14/485
D777,210 S *	1/2017	Liu	D14/486
9,728,050 B2 *	8/2017	Elias	G07F 17/34

D803,885 S *	11/2017	Kim	D14/493
D811,429 S *	2/2018	Kim	D14/487
10,029,787 B1 *	7/2018	Lesser	B64C 39/024
D826,967 S *	8/2018	Li	D14/486
D828,393 S *	9/2018	Li	D14/492
2003/0138130 A1 *	7/2003	Cohen	G07F 9/023 382/103
2003/0174177 A1 *	9/2003	Tsukuda	B41J 3/4075 715/810
2016/0196635 A1 *	7/2016	Cho	G06T 3/40 345/660

* cited by examiner

Primary Examiner — Darlington Ly

Assistant Examiner — Katherine A Holbrow

(74) *Attorney, Agent, or Firm* — Finnegan, Henderson,
Farabow, Garrett & Dunner LLP

(57) **CLAIM**

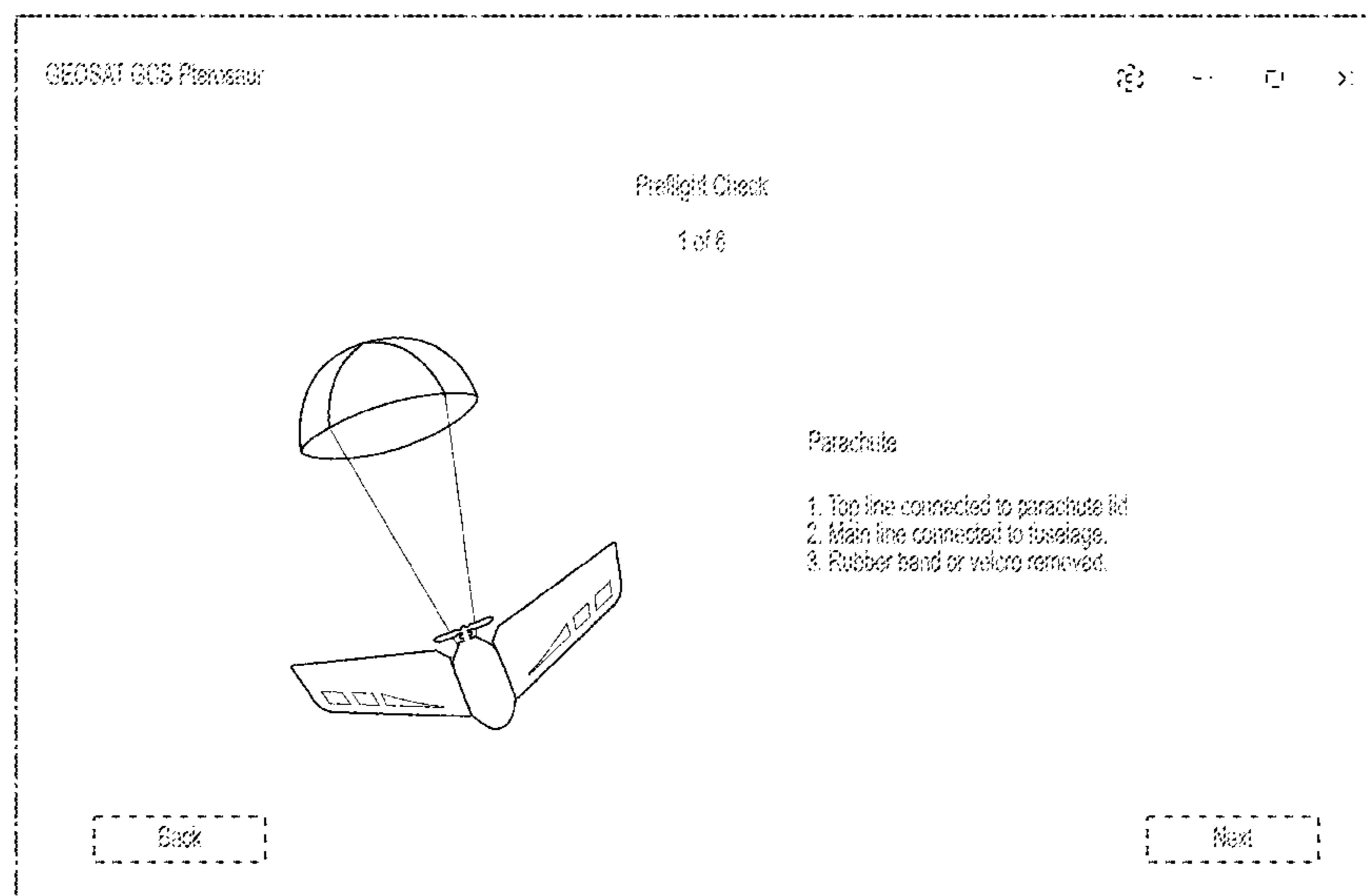
The ornamental design for a display screen with user interface, as shown and described.

DESCRIPTION

The FIGURE is a front view of a display screen with user interface, showing the new design.

The outermost rectangular broken line showing the display screen forms no part of the claimed design. All other broken lines show portions of the user interface and form no part of the claimed design.

1 Claim, 1 Drawing Sheet

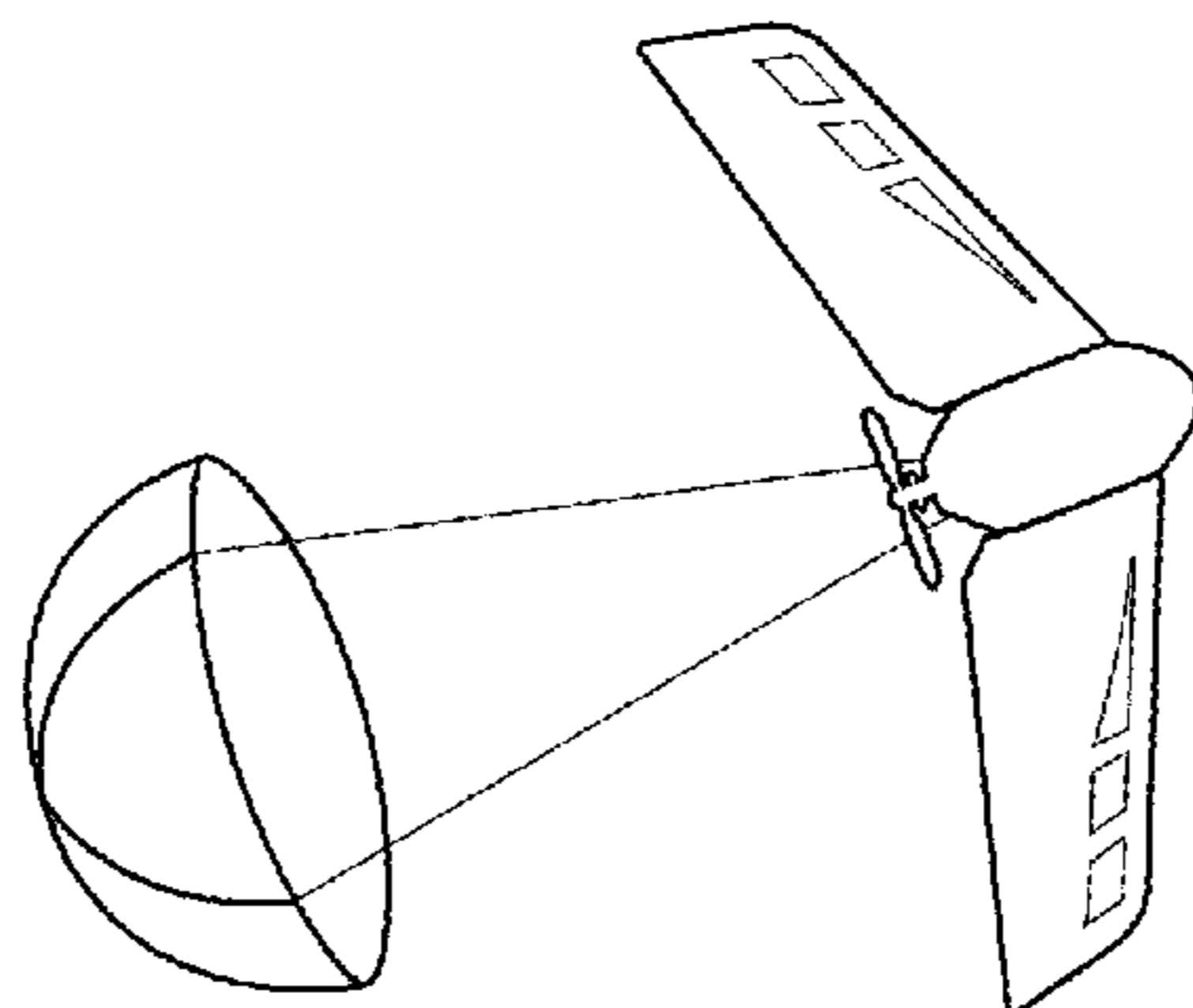


GEOBAT GCS Preambul

⌂ - - □ >

Preflight Check

1 of 6



Parachute

1. Top line connected to parachute lid.
2. Main line connected to fuselage.
3. Rubber band or velcro removed.

Back

Next