



US00D847142S

(12) **United States Design Patent**
Furshman et al.

(10) **Patent No.:** **US D847,142 S**
(45) **Date of Patent:** **** Apr. 30, 2019**

(54) **HOLDER FOR A PORTABLE ELECTRONIC DEVICE**

D800,134 S * 10/2017 McDonald D14/447
D825,575 S * 8/2018 Gao D14/447
D829,217 S * 9/2018 Scholler D14/447

(Continued)

(71) Applicants: **Michael Furshman**, Park City, UT
(US); **Seth Fine**, Plantation, FL (US)

FOREIGN PATENT DOCUMENTS

(72) Inventors: **Michael Furshman**, Park City, UT
(US); **Seth Fine**, Plantation, FL (US)

CN 105644457 A 6/2016
CN 105799603 A 7/2016

(Continued)

(**) Term: **15 Years**

OTHER PUBLICATIONS

(21) Appl. No.: **29/633,916**

“Tablehookz—Create Your Own In-Flight Seatback Entertainment”. Tablehookz, 2018, <https://tablehookz.com/>. Accessed May 15, 2018.

(Continued)

(22) Filed: **Jan. 17, 2018**

(51) **LOC (11) Cl.** **08-07**

(52) **U.S. Cl.**
USPC **D14/447**

(58) **Field of Classification Search**
USPC D14/447, 432, 434, 439, 440, 451, 452,
D14/457, 239; D8/363, 373, 380;
D6/406.3, 406.4, 406.5, 406.6; D12/415
CPC A47B 21/04; A47B 2097/006; A47B
2097/005; A47B 2023/049; A45C
2011/002; A45C 2011/003; F16M
2200/00; F16M 13/00

Primary Examiner — Angela J Lee

(74) *Attorney, Agent, or Firm* — Albert Bordas, P.A.

See application file for complete search history.

(57) **CLAIM**

The ornamental design for a holder for a portable electronic device, as shown and described.

DESCRIPTION

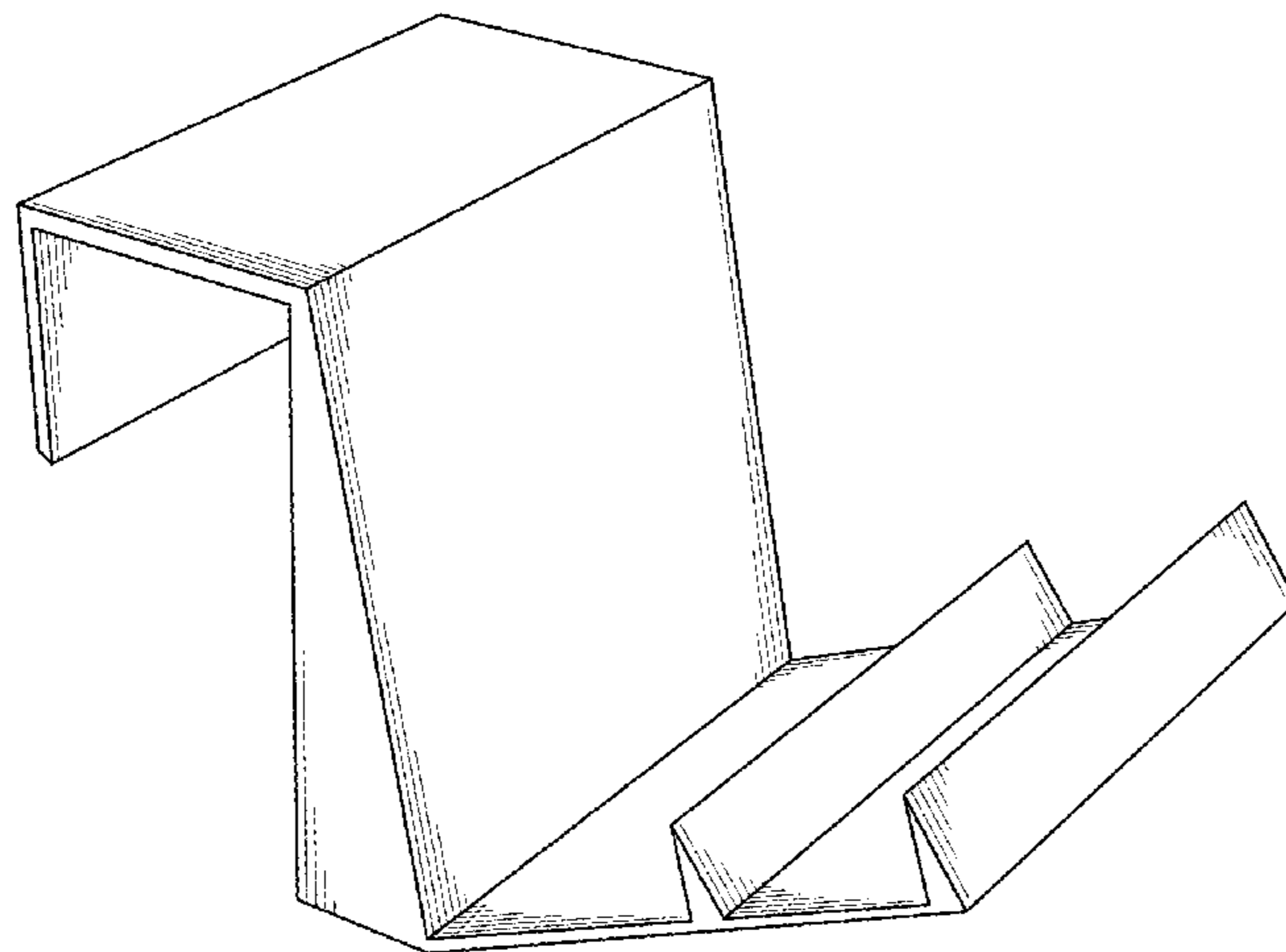
(56) **References Cited**

U.S. PATENT DOCUMENTS

D297,335 S * 8/1988 Atwell D19/86
D376,972 S * 12/1996 Zissu D8/354
7,561,415 B2 7/2009 Liou
D714,297 S * 9/2014 Poulsen D14/447
D722,062 S * 2/2015 Zwerner D14/447
D722,064 S * 2/2015 Zwerner D14/447
D722,065 S * 2/2015 Zwerner D14/447
D730,914 S * 6/2015 Park D14/447
9,167,706 B2 10/2015 Holmstrom
D754,135 S * 4/2016 Cromack D14/447
D754,668 S * 4/2016 Manabe D14/447
D778,105 S * 2/2017 Coffey, Jr. D14/447
D787,521 S * 5/2017 Chen D14/447

FIG. 1 is a perspective view of a holder for a portable electronic device showing the subject design;
FIG. 2 is a left view of the holder for a portable electronic device shown in FIG. 1;
FIG. 3 is a front view of the holder for a portable electronic device shown in FIG. 1;
FIG. 4 is a top view of the holder for a portable electronic device shown in FIG. 1;
FIG. 5 is a right view of the holder for a portable electronic device shown in FIG. 1;
FIG. 6 is a rear view of the holder for a portable electronic device shown in FIG. 1; and,
FIG. 7 is a bottom view of the holder for a portable electronic device shown in FIG. 1.

1 Claim, 3 Drawing Sheets



(56)

References Cited

U.S. PATENT DOCUMENTS

2011/0278885	A1	11/2011	Procter
2014/0048662	A1	2/2014	Ferris
2015/0108798	A1	4/2015	Boyer, Jr.
2016/0039349	A1	2/2016	Casagrande
2016/0257404	A1	9/2016	Ferris
2017/0237843	A1	8/2017	Ackeret
2017/0349200	A1	12/2017	Winton

FOREIGN PATENT DOCUMENTS

CN	106627402	A	5/2017
DE	10 2011 075 621	A1	11/2011
GB	2502948	A	12/2013
WO	2012/138699	A1	10/2012

OTHER PUBLICATIONS

“Touch Screen for Raspberry Pi 3 Kit, Quimat 35 Inch 320×480 Resolution TFT LCD Display With Protective Case For Raspberry Pi 3 Model B, Pi 2 Model B & Pi Model B With Protective Case—Clickymicky”. Clickymicky.Com, 2018, <http://clickymicky.com/touch-screen-for-raspberry-pi-3-kit-quimat-3-5-inch-320x480-resolution-tft-lcd-display-with-protective-case-for-raspberry-pi-3-model-b-pi-2-model-b-pi-model-b-with-protective-case/>. Accessed May 15, 2018.

“Skomet Multi-Angle Adjustable Phone Stand (Red)”. English, 2018, <http://store.cavaraty.com/skomet-multi-angle-adjustable-phone-stand-red.html>. Accessed May 15, 2018.

“\$2.41 Adjustable Multi-Angle Holder Stand for Cellphones / Tablet Pcs—Foldable / 5-Position / Black At Fasttech—Worldwide

Free Shipping”. Fasttech—Cool Gadgets and Electronics, 2018, <https://www.fasttech.com/product/2318303-adjustable-multi-angle-holder-stand-for>. Accessed May 15, 2018.

“ASZUNE Foldable Multi-Angle Phone Stand Desk Portable Lazy Holder Mount for Samsung Xiaomi Tablet”. www.Banggood.com, 2018, https://www.banggood.com/ASZUNE-Foldable-Multi-angle-Phone-Stand-Desk-Portable-Lazy-Holder-Mount-for-Samsung-Xiaomi-Tablet-p-1153560.html?cur_warehouse=CN. Accessed May 15, 2018.

Amazon.com, 2018, <https://www.amazon.com/Digital-Tablet-Travel-Airplane-Blue/dp/B00129UXLW>. Accessed May 15, 2018.

“The Airhook—Campers Village”. Campers-Village.Com, 2018, <http://www.campers-village.com/brand/The-Airhook/>. Accessed May 15, 2018.

Amazon.com, 2018, <https://www.amazon.com/Clamp-Champion-Pro-Universal-Smartphone/dp/B00P1HU2WI>. Accessed May 15, 2018.

“Arctic Flight—Let Your Ipad Fly!”. Kickstarter, 2018, <https://www.kickstarter.com/projects/501583891/arctic-flight-let-your-ipad-fly>. Accessed May 15, 2018.

“Hate Cramped Airplanes? The Airhook Holds Your Tablet and a Drink”. Digital Trends, 2018, <https://www.digitaltrends.com/mobile/hate-cramped-airplanes-the-airhook-holds-your-tablet-and-a-drink/>. Accessed May 15, 2018.

“23 Gadgets That Promise to Make Flying Better”. The Telegraph, 2018, <https://www.telegraph.co.uk/travel/galleries/essential-gadgets-to-make-air-travel-better/airhook/>. Accessed May 15, 2018.

Amazon.com, 2018, <https://www.amazon.com/Lockjaww-Flight-Device-Android-Tablets/dp/B01DFMECBC>. Accessed May 15, 2018.

“Iphone Hook for Airplanes by Jgrout”. Makerbot, 2018, <https://www.makerbot.com/media-center/2011/05/03/iphone-hook-for-airplanes-by-jgrout>. Accessed May 15, 2018.

* cited by examiner

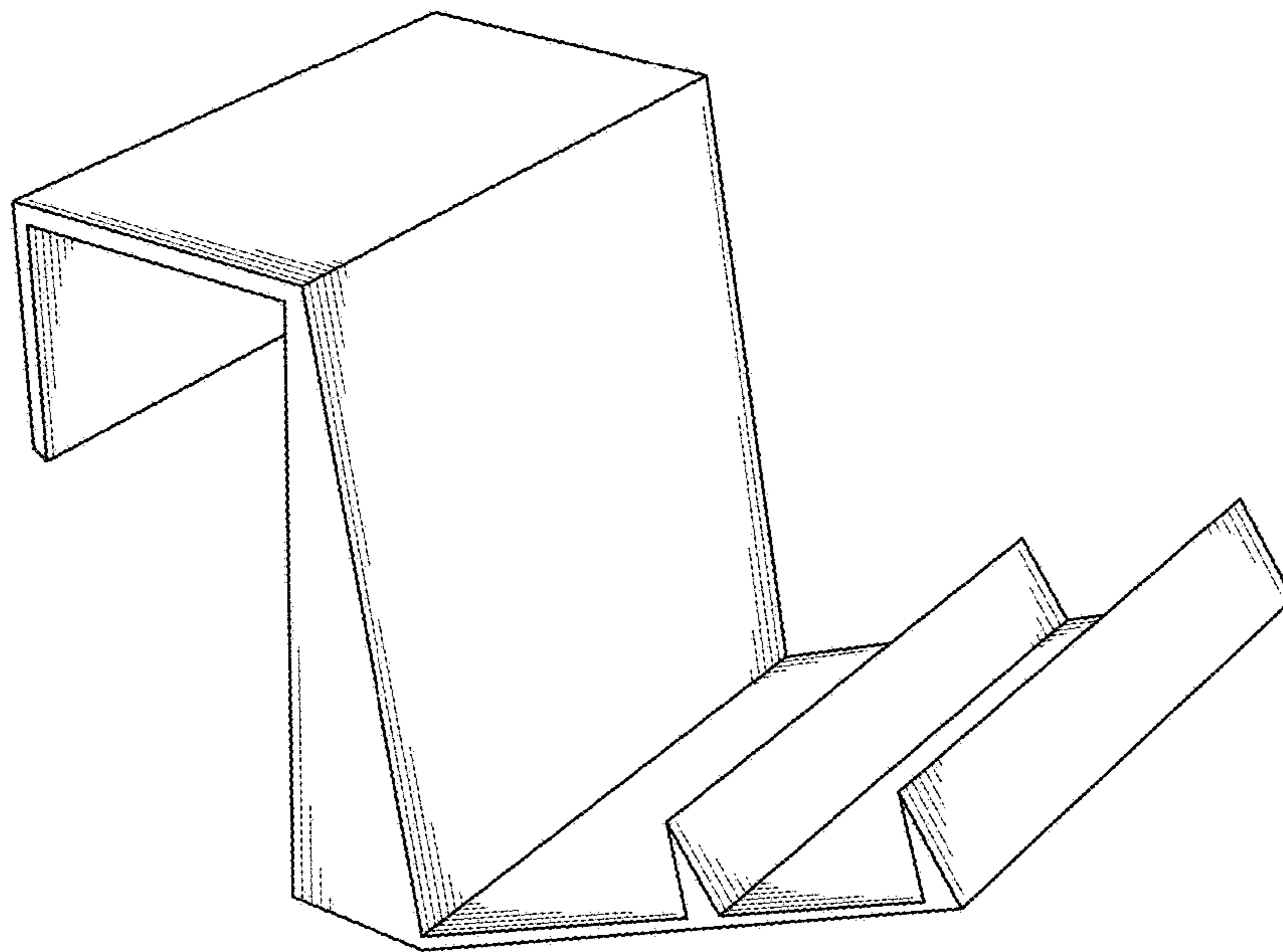


FIG. 1

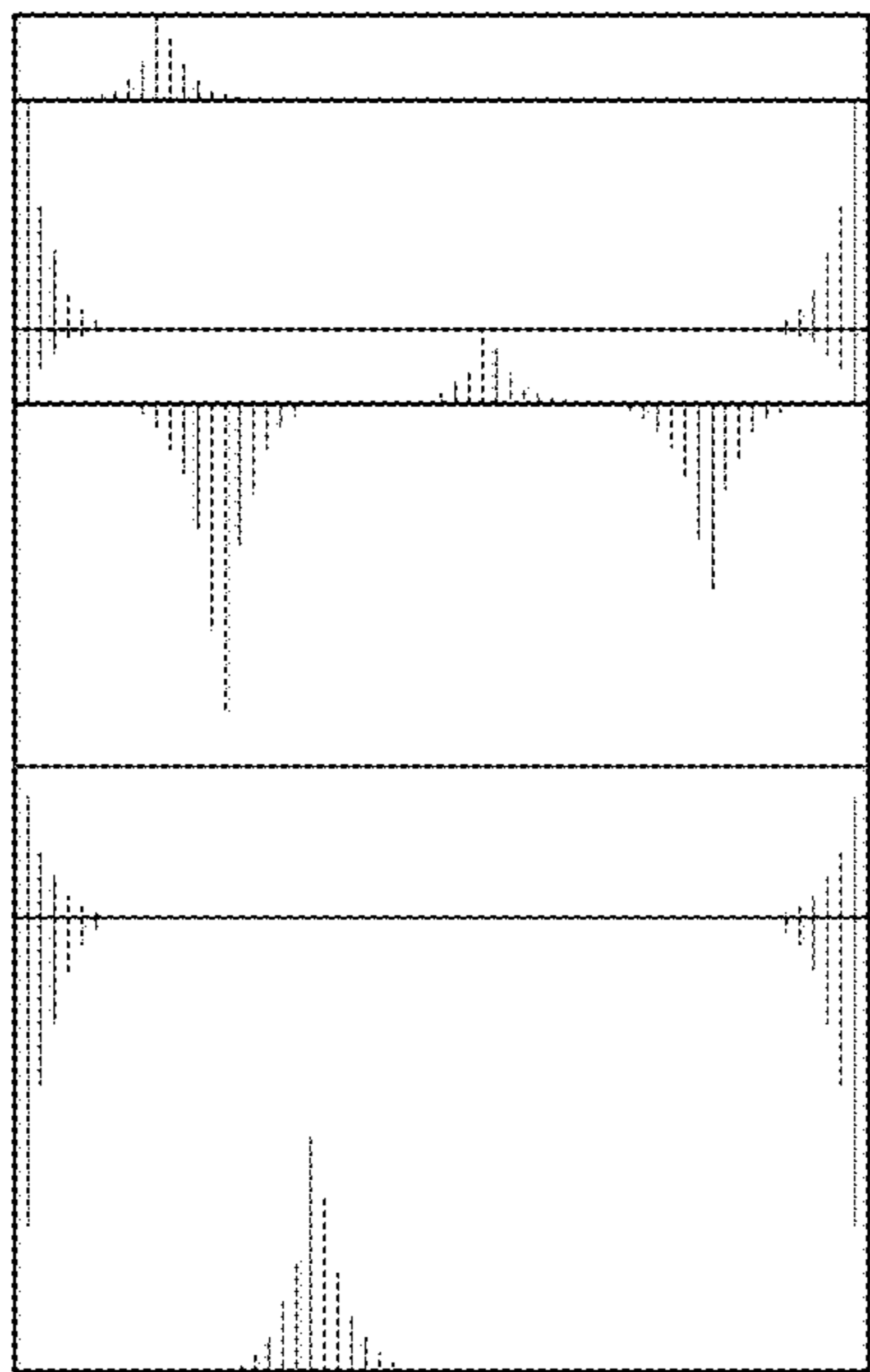


FIG. 4

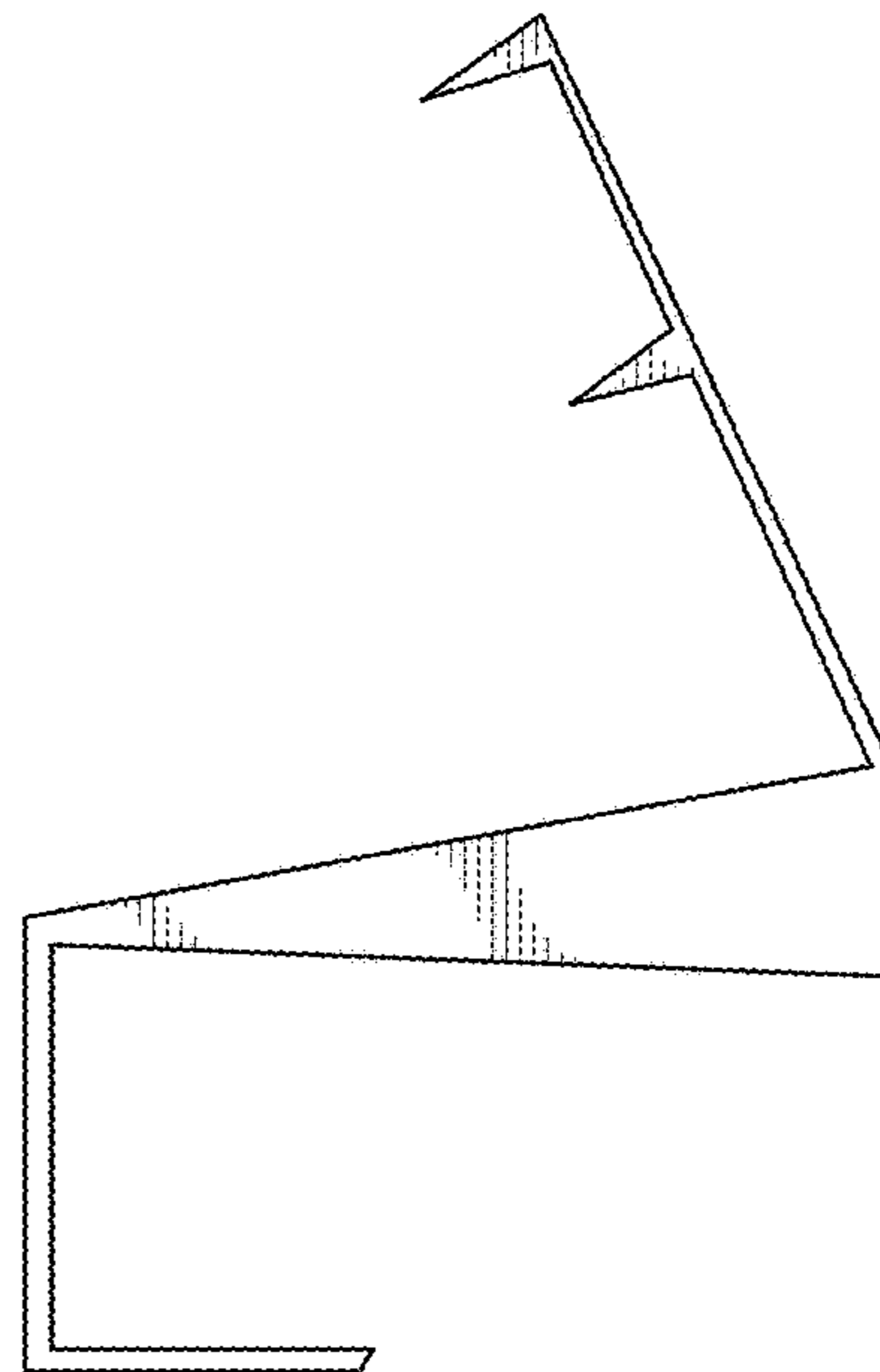


FIG. 2

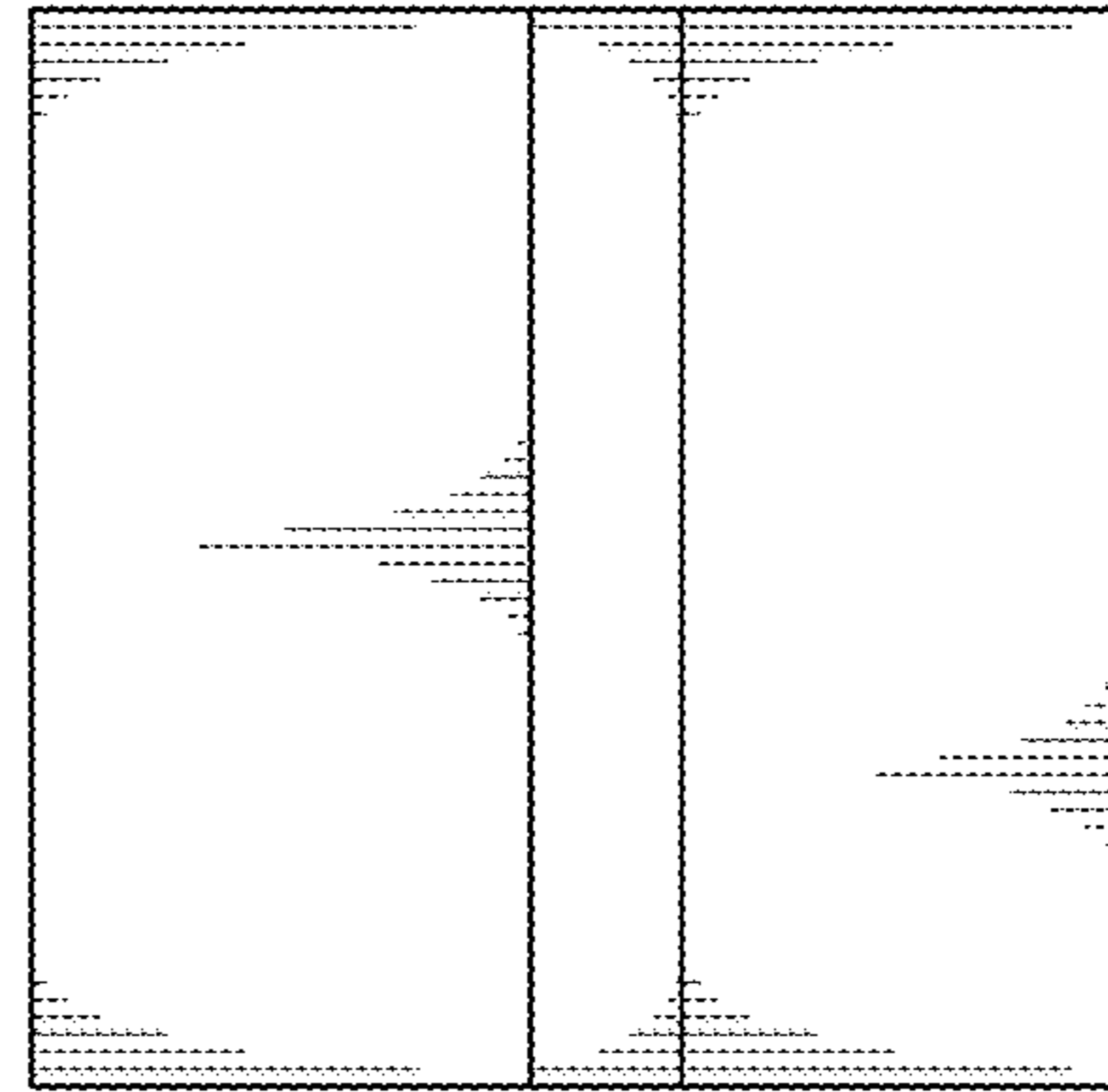


FIG. 3

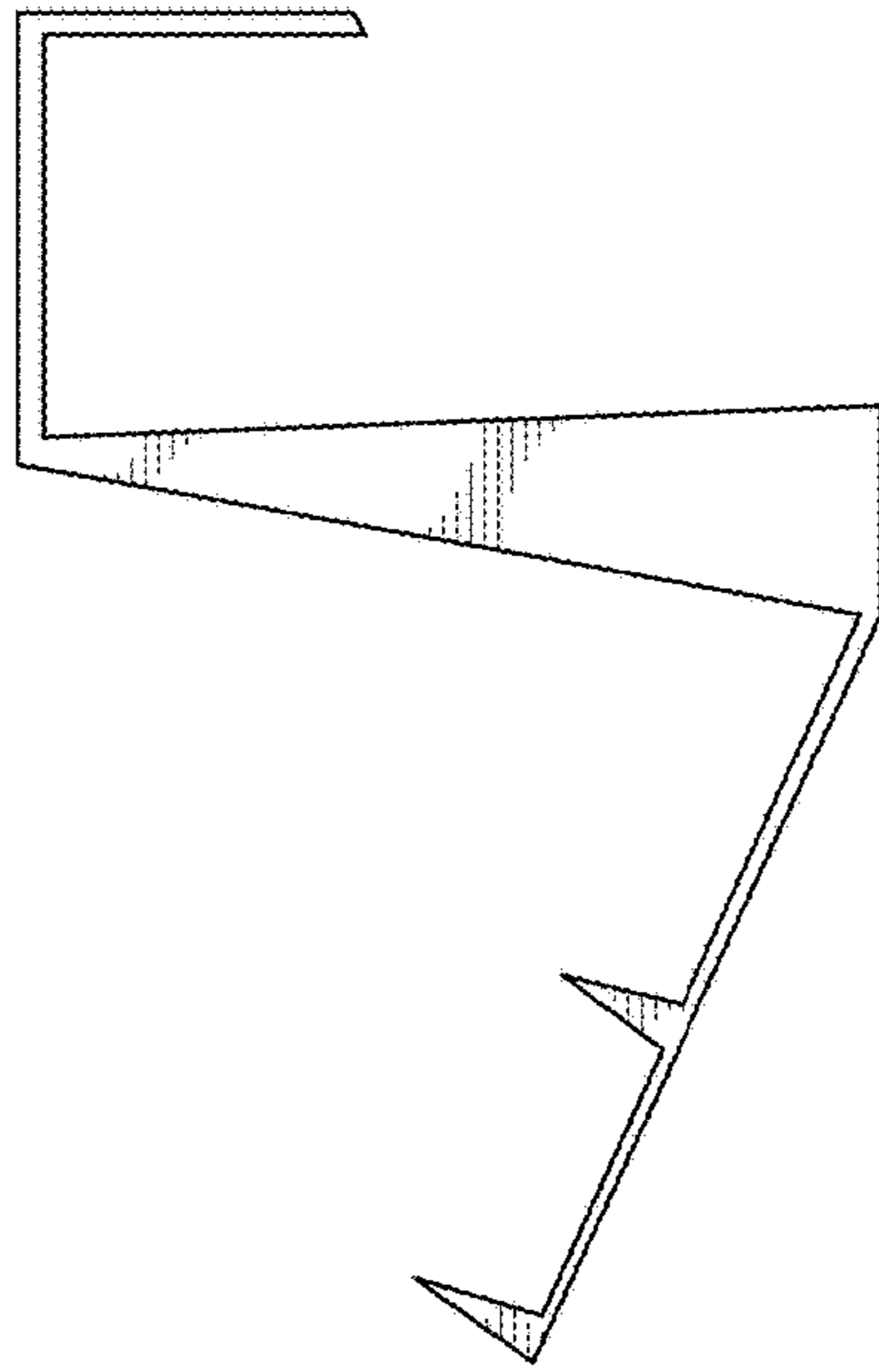


FIG. 5

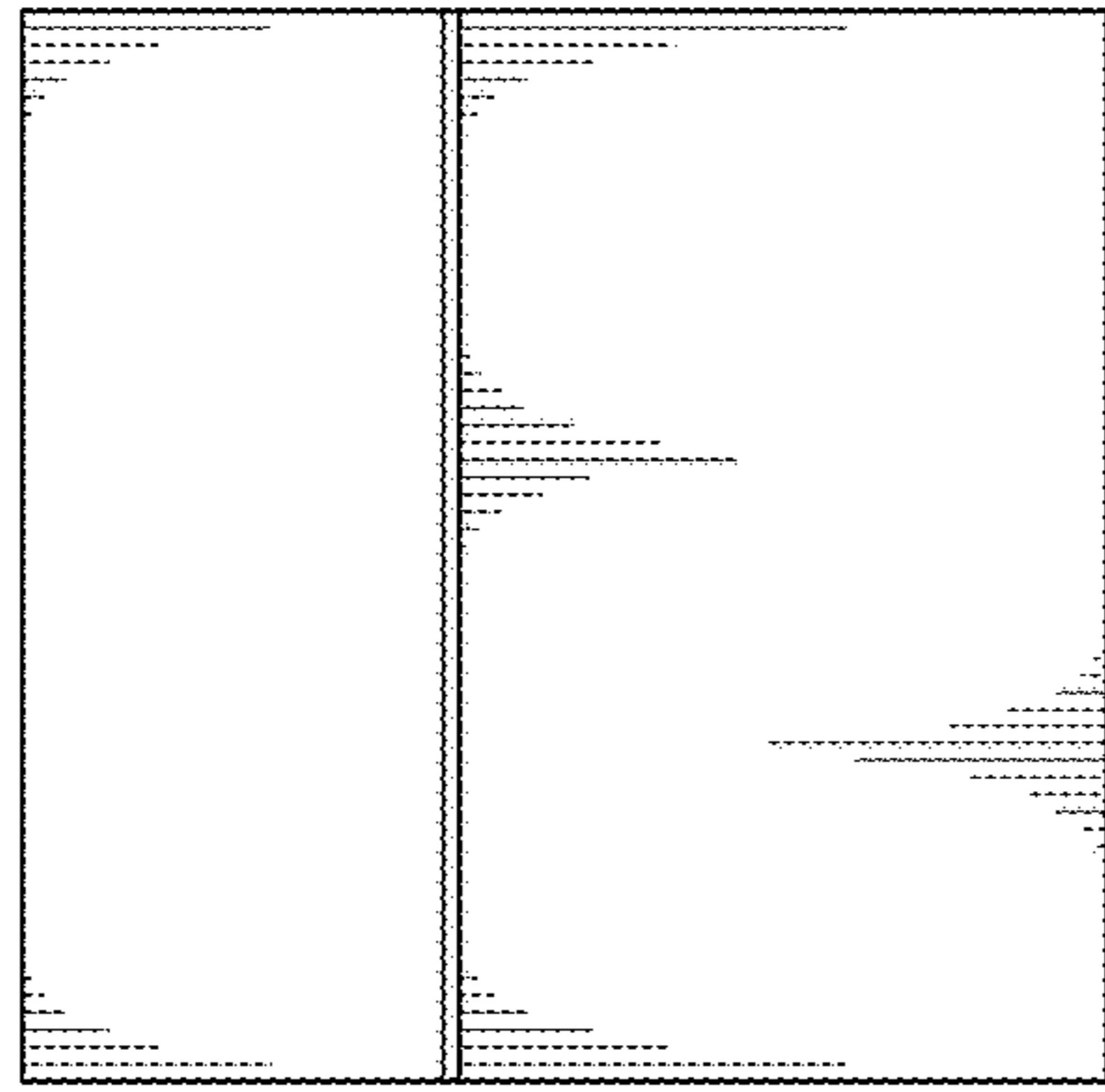


FIG. 6

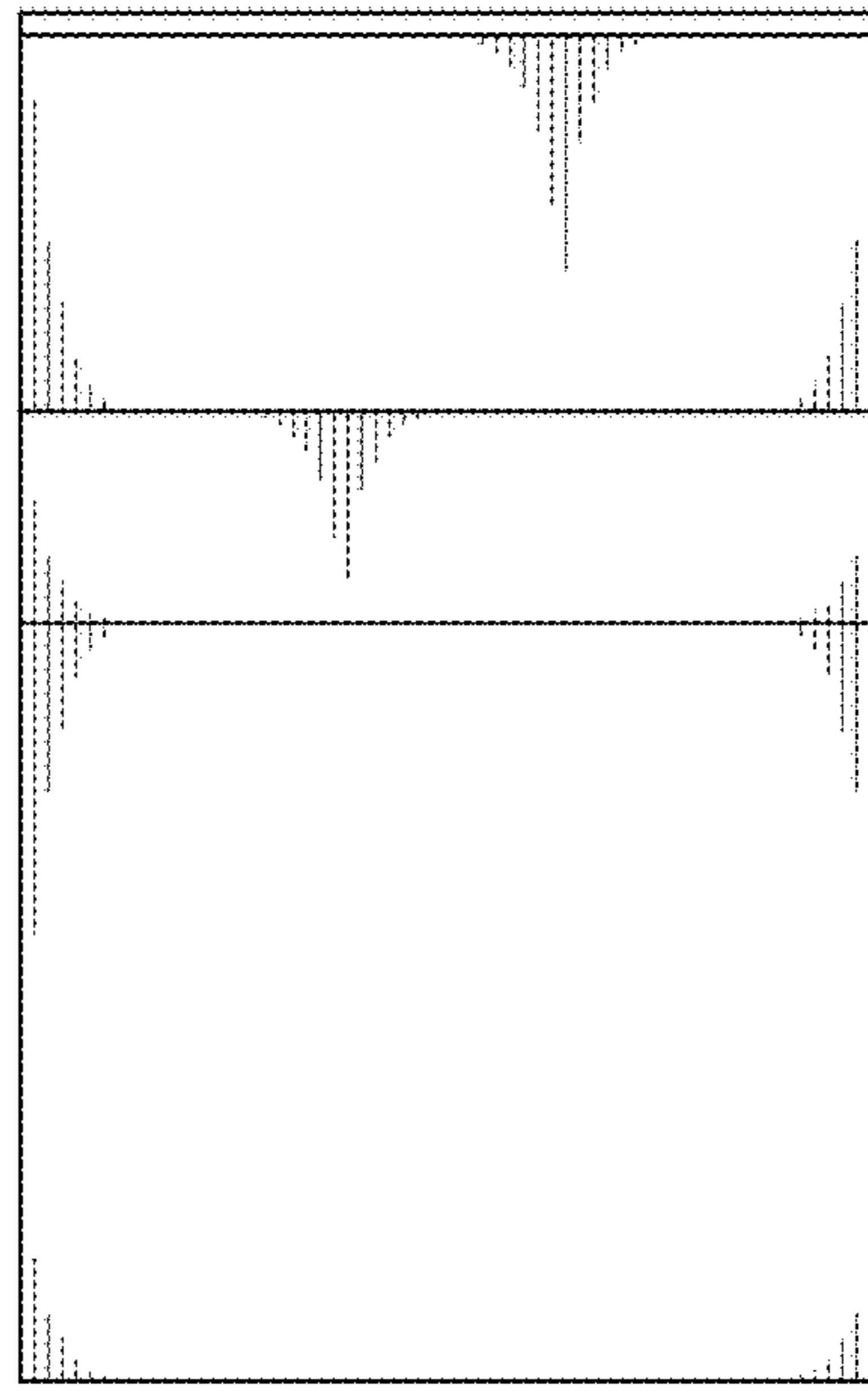


FIG. 7