



US00D847141S

(12) **United States Design Patent** (10) **Patent No.:** **US D847,141 S**
Williams (45) **Date of Patent:** **** Apr. 30, 2019**

(54) TABLET MOUNT	D692,013 S * 10/2013 Crysell D14/447
	D703,213 S * 4/2014 Gifford D14/447
(71) Applicant: Colebrook Bosson Saunders	D706,272 S * 6/2014 Poon D14/440
(Products) Limited , London (GB)	D707,685 S * 6/2014 Johnson D14/447
	D708,621 S * 7/2014 Gifford D14/447
(72) Inventor: Peter Robert Williams , London (GB)	D710,860 S * 8/2014 Johnson D14/447
	8,864,089 B2 * 10/2014 Hung F16M 11/041
	248/122.1
(73) Assignee: COLEBROOK BOSSON SAUNDERS	D726,733 S * 4/2015 Specht D14/447
(PRODUCTS) LIMITED , London	D792,416 S * 7/2017 Tsai D14/447
(GB)	D795,266 S * 8/2017 Williams D14/447
	D812,620 S * 3/2018 Cheng D14/440

(**) Term: **15 Years**

* cited by examiner

(21) Appl. No.: **29/610,175**

Primary Examiner — Angela J Lee

(22) Filed: **Jul. 10, 2017**

(74) *Attorney, Agent, or Firm* — Michael Best & Friedrich LLP

Related U.S. Application Data

(62) Division of application No. 29/571,780, filed on Jul. 21, 2016, now Pat. No. Des. 795,266.

(51) **LOC (11) Cl.** **08-07**

(52) **U.S. Cl.**
USPC **D14/447**

(58) **Field of Classification Search**
USPC D14/447, 432, 434, 439, 440, 451, 452,
D14/457, 239; D8/363, 373, 380;
D6/406.3, 406.4, 406.5, 406.6; D12/415
CPC A47B 21/04; A47B 2097/006; A47B
2097/005; A47B 2023/049; A45C
2011/002; A45C 2011/003; F16M
2200/00; F16M 13/00
See application file for complete search history.

(56) **References Cited**

U.S. PATENT DOCUMENTS

D648,727 S * 11/2011 Van Den Nieuwenhuizen	D14/447
D692,008 S * 10/2013 Feldstein	D14/447

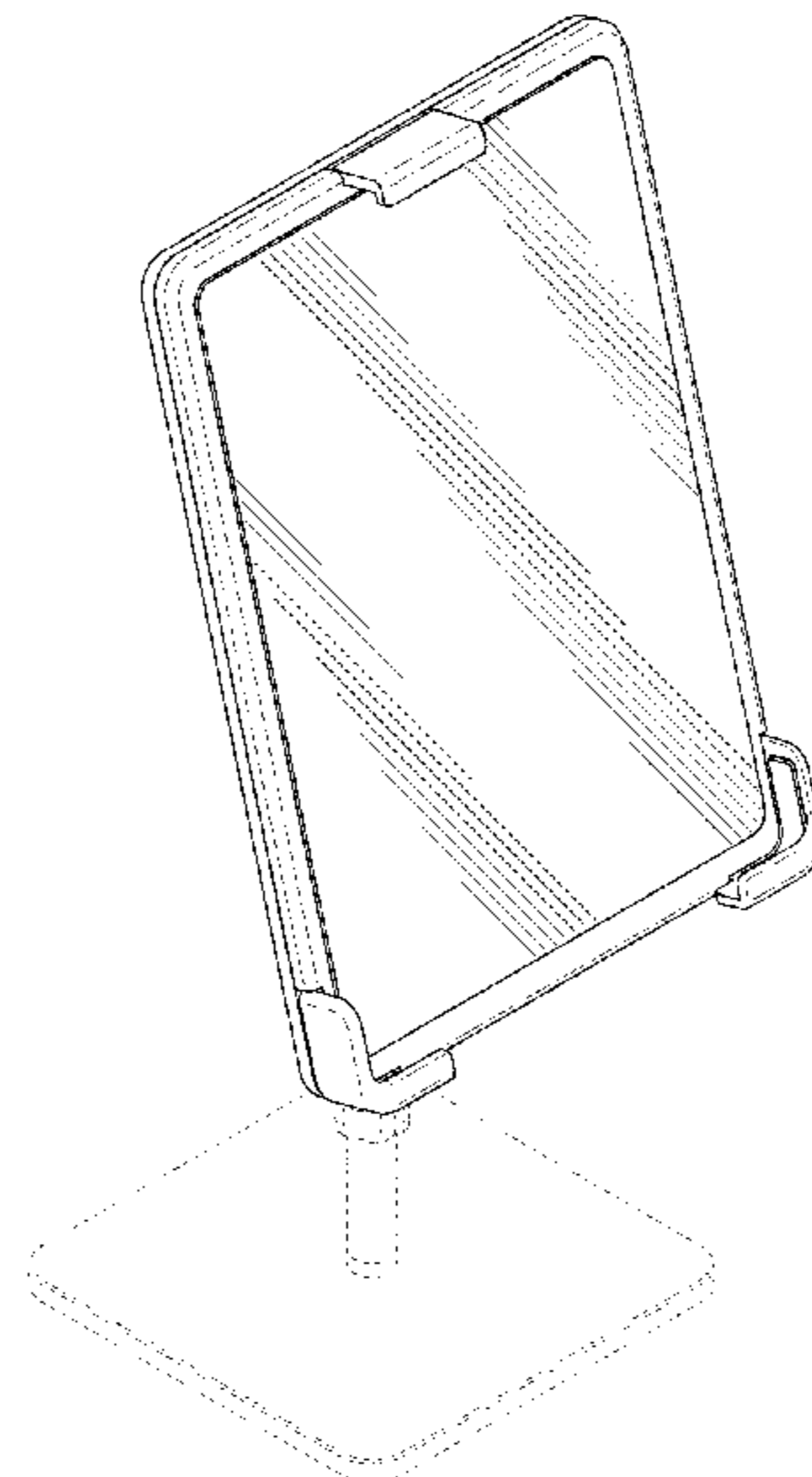
(57) **CLAIM**

The ornamental design for a tablet mount, as shown and described.

DESCRIPTION

FIG. 1 is a front perspective view of the design;
FIG. 2 is a front view of FIG. 1;
FIG. 3 is a rear view of FIG. 1;
FIG. 4 is a left side view of FIG. 1;
FIG. 5 is a right side view of FIG. 1;
FIG. 6 is a top view of FIG. 1; and,
FIG. 7 is a bottom view of FIG. 1.
The broken lines are for illustrative purposes only and form no part of the claimed design.

1 Claim, 5 Drawing Sheets



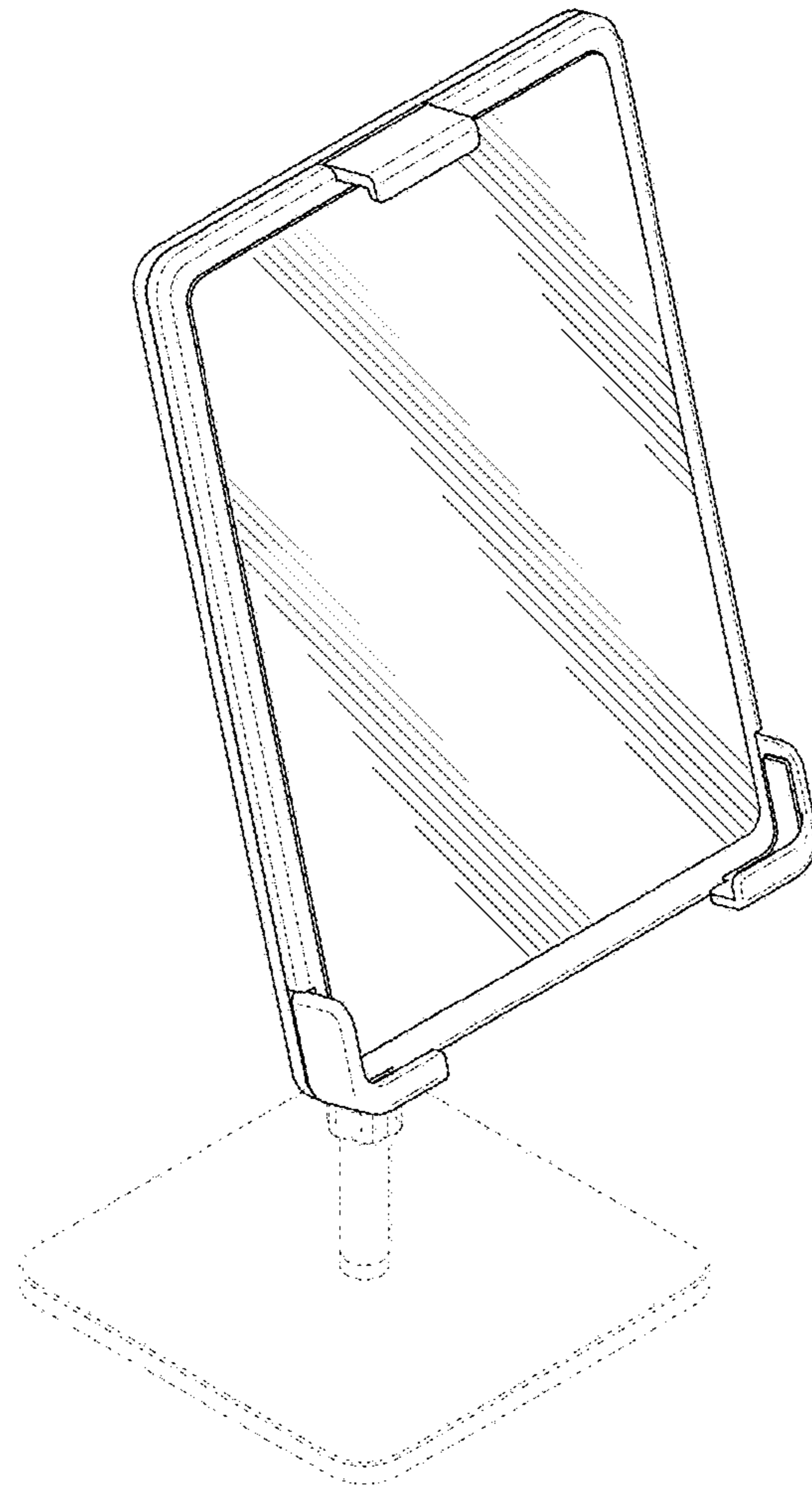


FIG. 1

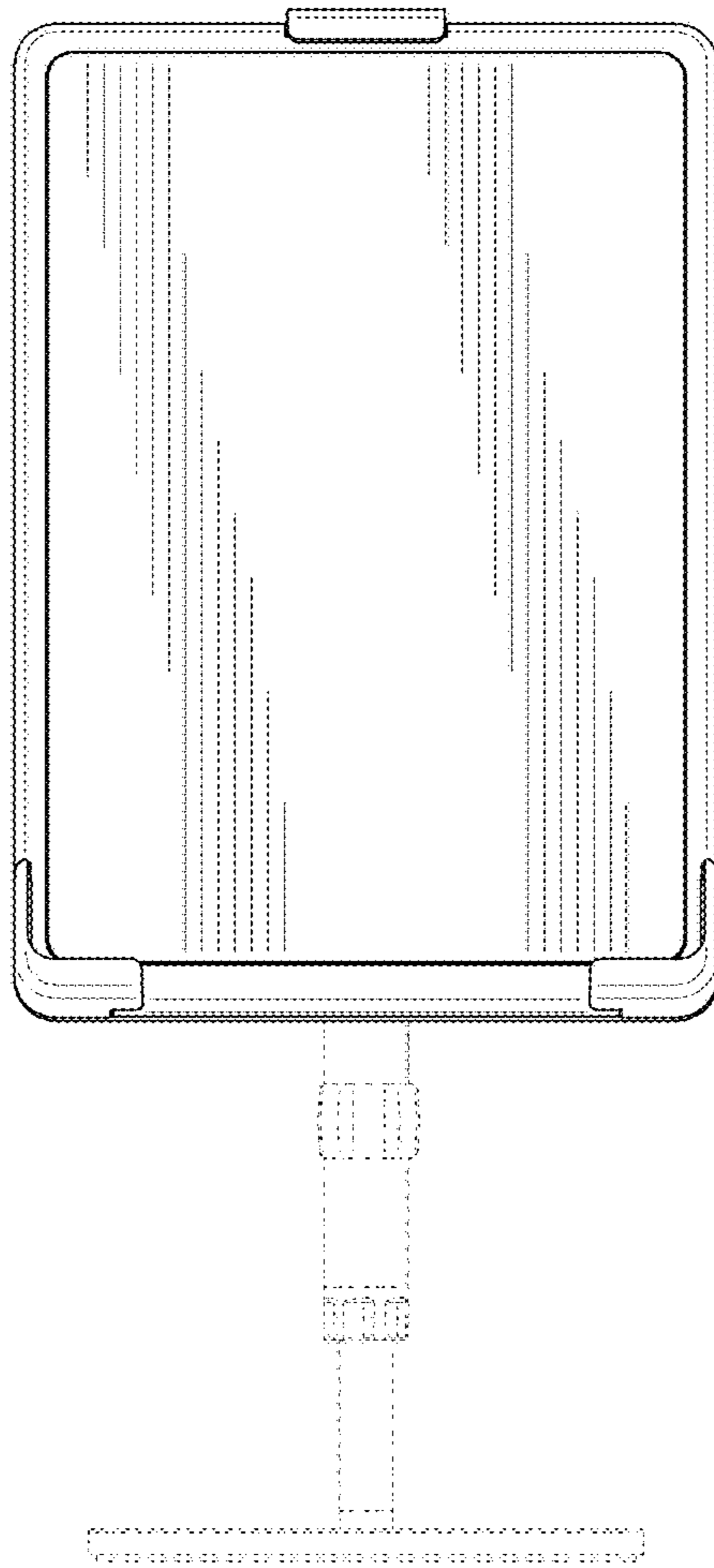


FIG. 2

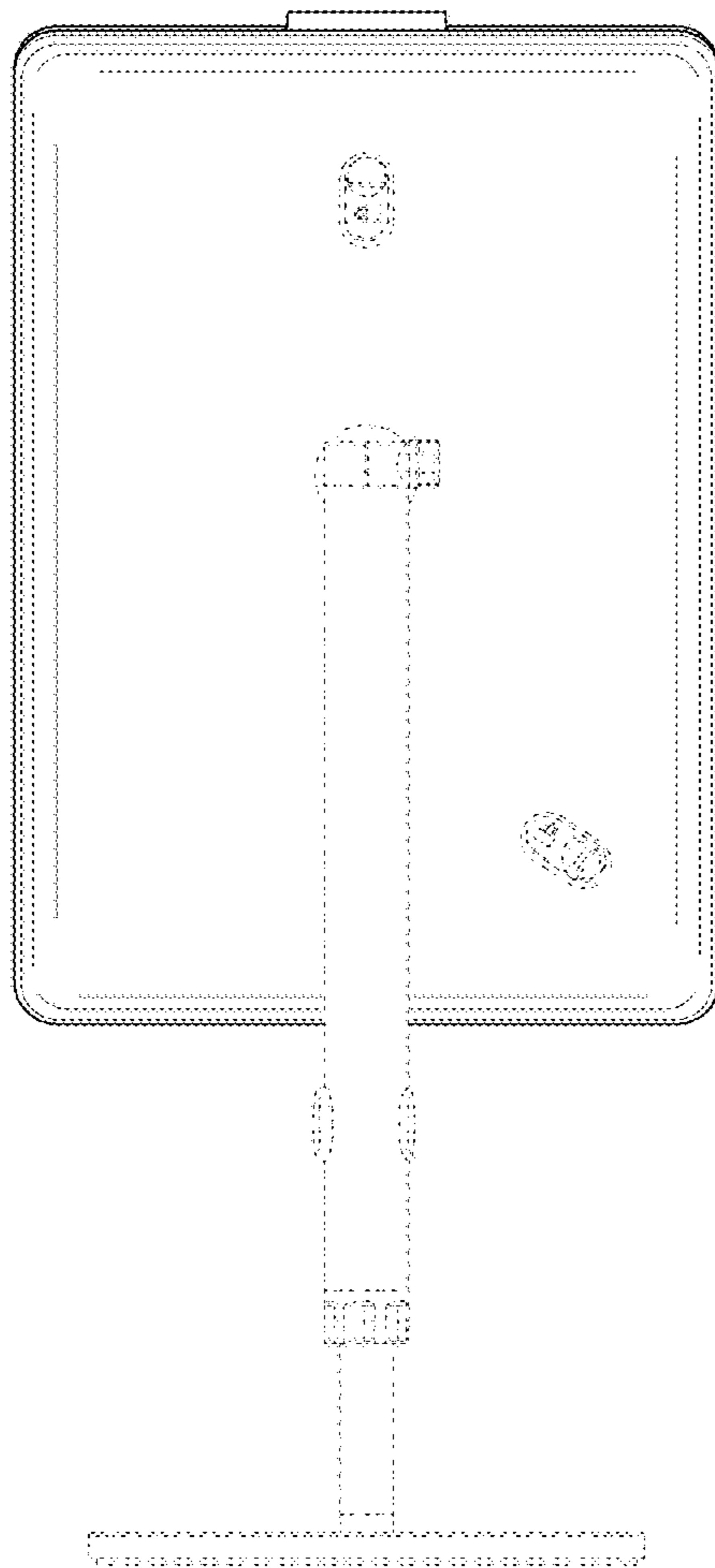


FIG. 3

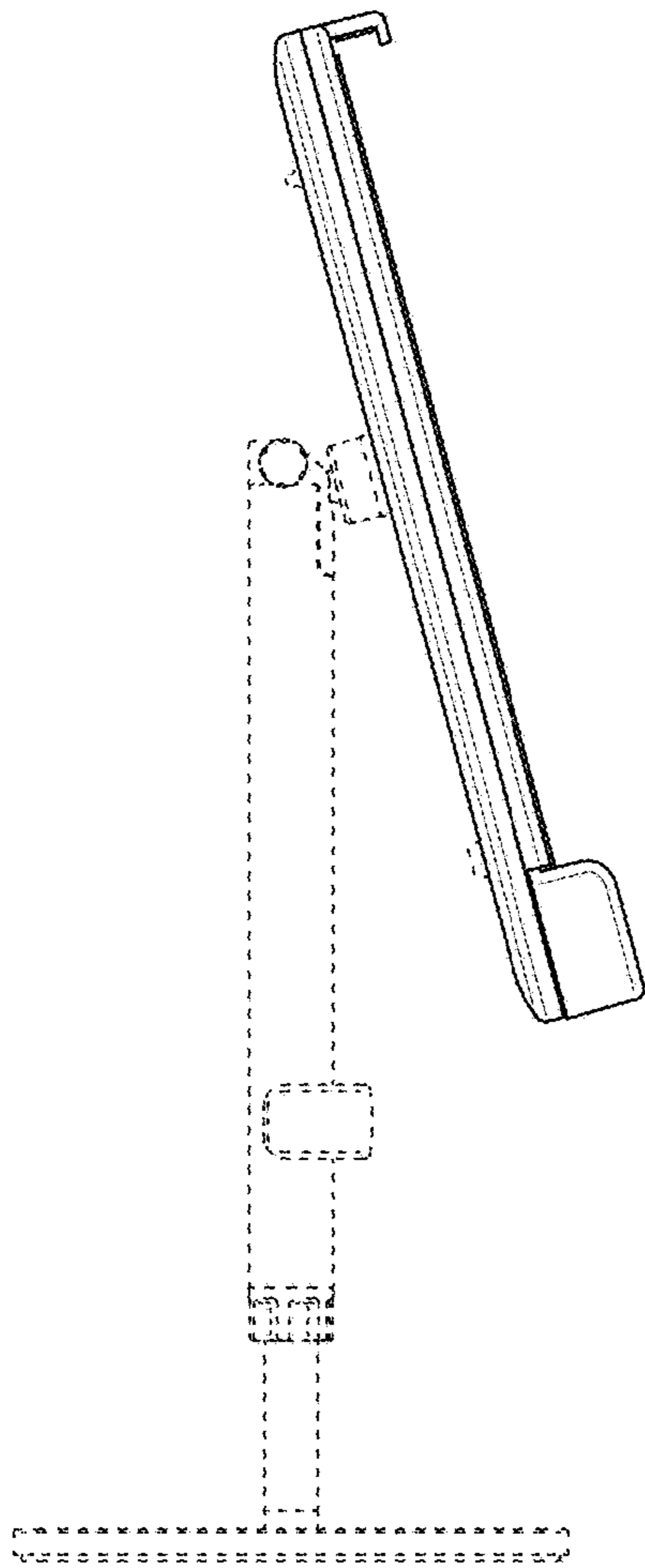


FIG. 4

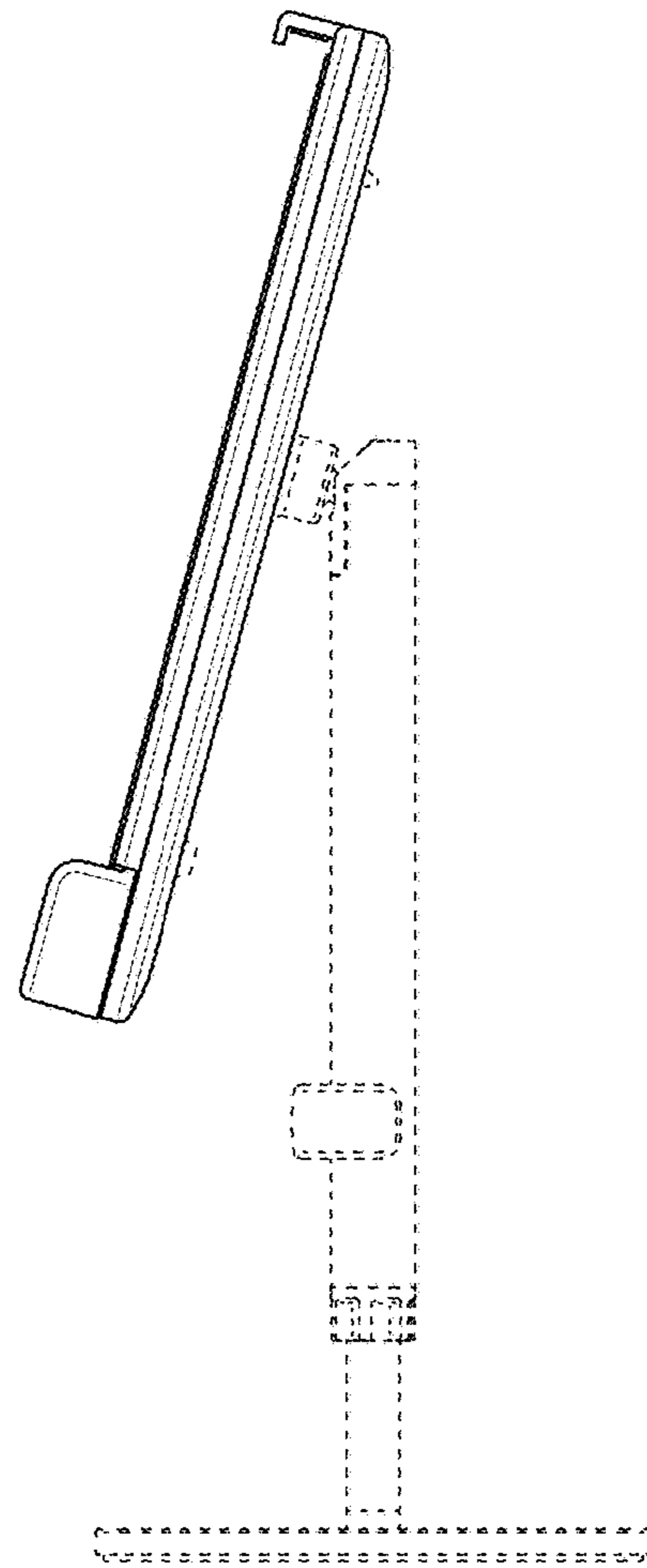


FIG. 5

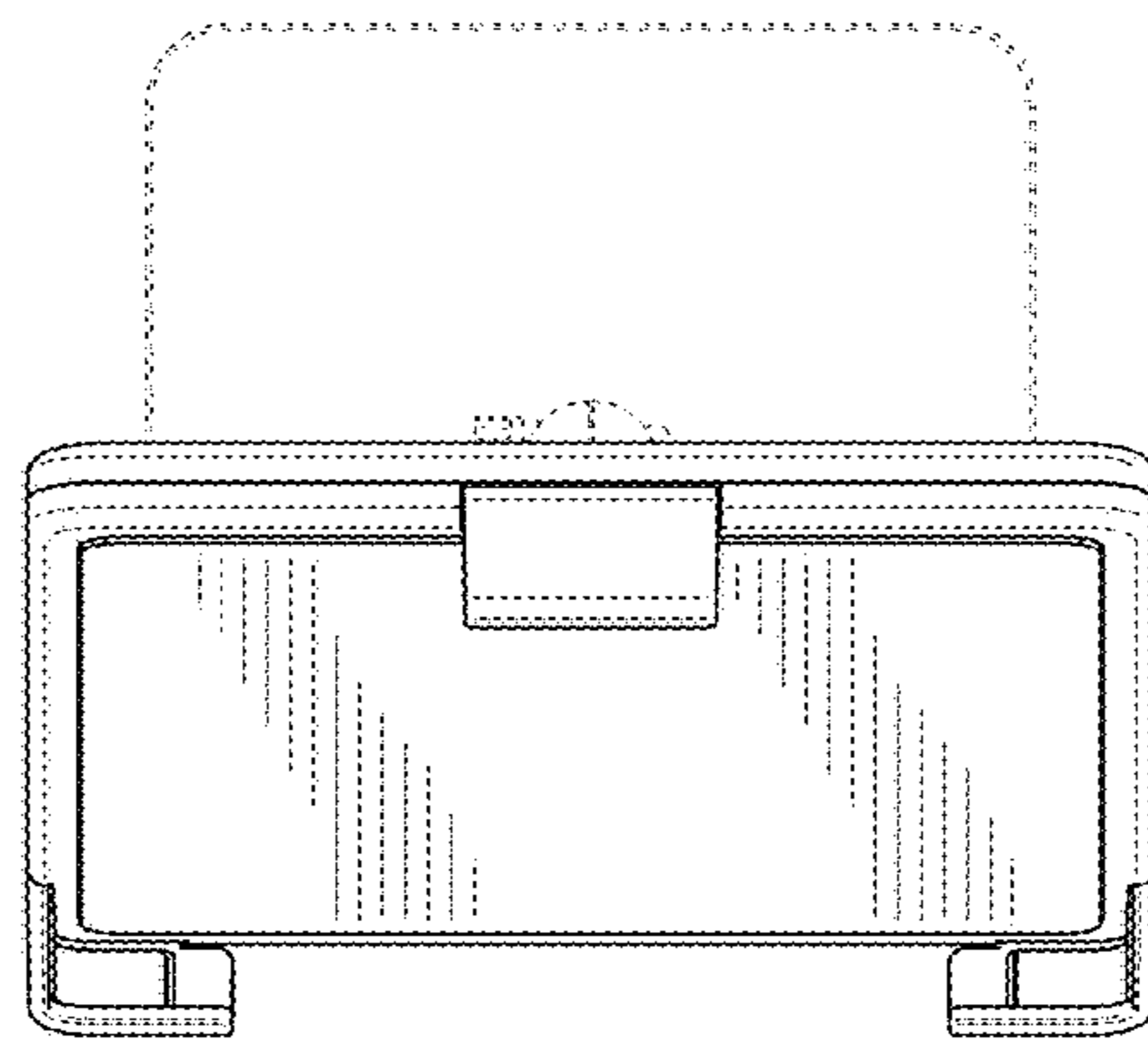


FIG. 6

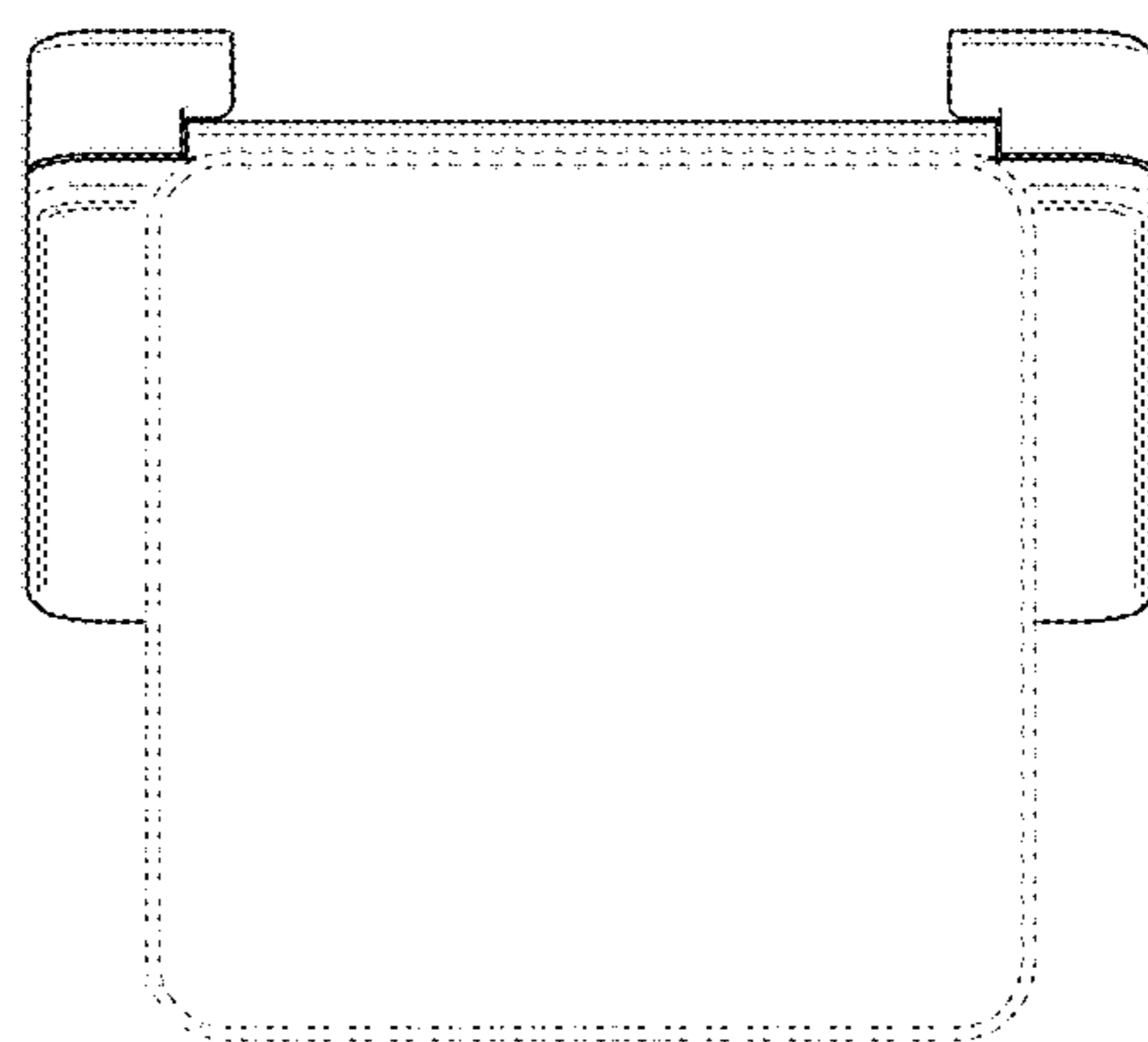


FIG. 7