



US00D847140S

(12) **United States Design Patent**
Chapuis et al.

(10) **Patent No.:** **US D847,140 S**
(45) **Date of Patent:** **** Apr. 30, 2019**

(54) **TABLET COMPUTER ENCLOSURE WITH CURVED HANDLE**

D645,282 S 9/2011 Daino
D676,449 S 2/2013 Probst
8,401,915 B1 3/2013 Kim

(Continued)

(71) Applicant: **June20, Inc.**, Hayward, CA (US)

FOREIGN PATENT DOCUMENTS

(72) Inventors: **Paul Chapuis**, Woodside, CA (US);
Steven D. Penny, Oakland, CA (US)

CN 102334864 A 2/2012
CN 103653987 A 3/2014

(Continued)

(73) Assignee: **JUNE20, INC.**, Hayward, CA (US)

(**) Term: **15 Years**

OTHER PUBLICATIONS

(21) Appl. No.: **29/640,276**

Design U.S. Appl. No. 29/639,664, filed Mar. 7, 2018.

(Continued)

(22) Filed: **Mar. 13, 2018**

(51) **LOC (11) Cl.** **14-02**

Primary Examiner — Cynthia R Underwood

(52) **U.S. Cl.**
USPC **D14/440**

(74) *Attorney, Agent, or Firm* — Vierra Magen Marcus
LLP

(58) **Field of Classification Search**
USPC D14/440; 206/45.23, 320, 45.2;
361/679.55; 294/25; 224/218
CPC ... G06F 1/1628; G06F 1/1626; A47B 23/044;
H04B 1/3888; H05K 5/0217
See application file for complete search history.

(57) **CLAIM**

The ornamental design for a tablet computer enclosure with a curved handle, as shown and described.

DESCRIPTION

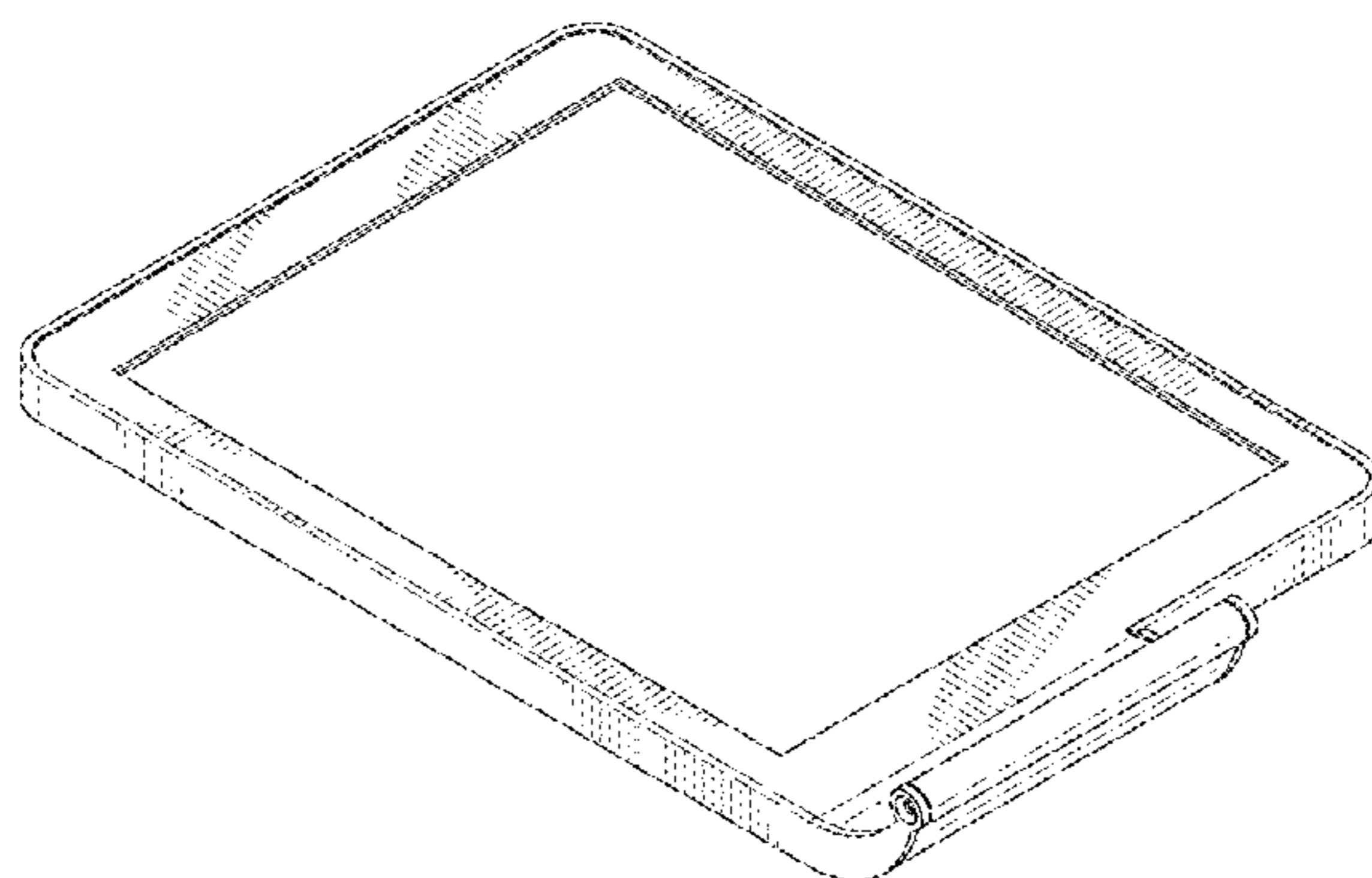
(56) **References Cited**

U.S. PATENT DOCUMENTS

6,016,248 A *	1/2000	Anzai	G06F 1/1626 248/463
D451,305 S	12/2001	Chang et al.		
6,726,070 B2	4/2004	Lautner		
D492,303 S	6/2004	Schlieffers		
D591,083 S	4/2009	Singler et al.		
D591,801 S	5/2009	Mak		
D591,979 S	5/2009	Singler et al.		
D594,004 S	6/2009	Takemasa		
D609,900 S *	2/2010	Behar	D3/201
D611,467 S	3/2010	Gou		
D613,285 S	4/2010	Grant		
7,701,339 B2	4/2010	Irmscher et al.		
D626,123 S	10/2010	Peng		
D643,234 S	8/2011	Daino		

FIG. 1 is a front perspective view of a tablet computer enclosure with a curved handle.
FIG. 2 is a front elevation view of the tablet computer enclosure with the curved handle.
FIG. 3 is rear elevation view of the tablet computer enclosure with the curved handle.
FIG. 4 is a top view of the tablet computer enclosure with the curved handle.
FIG. 5 is a bottom view of the tablet computer enclosure with the curved handle.
FIG. 6 is a right side view of the tablet computer enclosure with the curved handle; and,
FIG. 7 is a left side view of the tablet computer enclosure with the curved handle.

1 Claim, 5 Drawing Sheets



(56)

References Cited

U.S. PATENT DOCUMENTS

D680,546 S * 4/2013 Tang D14/440
 D685,376 S 7/2013 Kim
 D686,626 S * 7/2013 Tan D14/440
 D689,056 S 9/2013 Li
 D690,704 S 10/2013 Padilla
 D691,144 S 10/2013 Peters
 D691,146 S 10/2013 Perez
 D694,246 S 11/2013 Park
 D703,672 S 4/2014 Kim
 8,690,210 B1 4/2014 May
 D705,763 S * 5/2014 Fastman D14/250
 8,752,718 B2 6/2014 Stukenberg et al.
 D712,412 S 9/2014 Bleau
 D713,658 S 9/2014 Tio et al.
 D717,304 S * 11/2014 Yturralde D14/250
 D721,075 S 1/2015 Toda
 D721,376 S 1/2015 Lee
 D725,659 S 3/2015 Tussy
 D727,666 S 4/2015 Wagemans et al.
 D727,917 S 4/2015 Yeo
 D733,154 S 6/2015 Armstrong
 D734,965 S 7/2015 Tio et al.
 D736,020 S 8/2015 Martell et al.
 D741,091 S 10/2015 Tio et al.
 D741,335 S 10/2015 Bastian
 D747,321 S 1/2016 London
 D749,592 S 2/2016 Huang
 D752,052 S 3/2016 Park
 D754,666 S 4/2016 Tiffen
 D758,773 S 6/2016 Kim et al.
 D761,261 S * 7/2016 Chen D14/420
 9,395,037 B2 7/2016 Ballhatchet
 D762,630 S * 8/2016 Shin D14/250
 D763,853 S 8/2016 Pearce
 D765,085 S 8/2016 Moore
 9,407,743 B1 8/2016 Hirshberg
 D766,249 S 9/2016 Veltz
 D769,651 S 10/2016 Tio et al.
 D770,203 S 11/2016 Thaler et al.
 D771,030 S 11/2016 Tussy
 D784,350 S 4/2017 Li
 D787,239 S 5/2017 Denby et al.
 D790,261 S 6/2017 Rogers
 9,687,090 B2 6/2017 Ireland et al.
 D794,007 S 8/2017 Zhang
 D794,036 S * 8/2017 Hennings D14/250
 D794,625 S 8/2017 Armstrong
 D796,234 S 9/2017 Thaler et al.
 D797,106 S 9/2017 Paolizzi
 D803,222 S 11/2017 Cheng
 D806,083 S 12/2017 Armstrong
 D807,086 S 1/2018 Tio et al.
 D807,366 S 1/2018 Chen
 D810,751 S * 2/2018 Aryeh D14/440
 D812,946 S 3/2018 Chang et al.
 D815,864 S 4/2018 Burton et al.
 D817,316 S 5/2018 Srour
 D821,405 S 6/2018 Chen

D826,237 S * 8/2018 Cadalora B62D 1/105
 D14/440
 D830,368 S * 10/2018 Zhang D14/440
 D834,027 S * 11/2018 Chapuis G09F 19/02
 D14/440
 D834,582 S * 11/2018 Zhuang D14/440

2004/0226973 A1 11/2004 Kao
 2007/0215512 A1 9/2007 Bellissimo
 2009/0109130 A1 4/2009 Murphy et al.
 2009/0219677 A1 9/2009 Mori
 2011/0187531 A1 8/2011 Oehl et al.
 2011/0267748 A1 11/2011 Lane
 2011/0309117 A1 12/2011 Roberts
 2012/0005222 A1 1/2012 Bhagwan et al.
 2012/0091312 A1 4/2012 Baker
 2012/0232937 A1 9/2012 Calman et al.
 2013/0117153 A1 5/2013 Shen
 2014/0054910 A1 2/2014 Kim
 2014/0152034 A1 6/2014 Tussy
 2014/0310056 A1 10/2014 Alapati et al.
 2015/0009610 A1 1/2015 London
 2015/0068934 A1 3/2015 Armstrong
 2015/0201743 A1 7/2015 Erickson-Davis
 2015/0371321 A1 12/2015 Chapuis
 2017/0045920 A1 2/2017 Armstrong

FOREIGN PATENT DOCUMENTS

CN	204599980 U	9/2015
CN	304176357 S	6/2017
FR	992836-004	8/1999
JP	2005204815 A	8/2005
KR	10-20130023520 A	3/2013
RO	016582-0001	3/2006
RU	59706	7/2006
WO	D082444-002	4/2014

OTHER PUBLICATIONS

Design U.S. Appl. No. 29/641,209, filed Mar. 20, 2018.
 Design U.S. Appl. No. 29/639,665, filed Mar. 7, 2018.
 Design U.S. Appl. No. 29/641,252, filed Mar. 20, 2018.
 Design U.S. Appl. No. 29/641,234, filed Mar. 20, 2018.
 Design U.S. Appl. No. 29/639,666, filed Mar. 7, 2018.
 Versa Products, Inc., "Versa Center", <https://www.versatables.com/education/versa-center/>, retrieved May 30, 2018.
 Gartner, "Sliding Monitors", <https://web.archive.org/web/20130607163354/http://www.michaelgartner.com/>, dated by web.archive.org at Jun. 7, 2013, pp. 1-5) Accessed Nov. 21, 2017 (Year: 2013).
 JUNE20, Inc., Test Display at Sam's Club, May, 2016, Arkansas, U.S.
 JUNE20, Inc., Test Display at Staples, Dec. 2015, Canada.
 Mike Quinn, LinkedIn.com page, image of post "LM76 Whipser Slide Technology" WSP2 retrieved from Feb. 2, 2018.
 Design U.S. Appl. No. 29/647,762, filed May 15, 2018.
 Design U.S. Appl. No. 29/647,768 filed May 15, 2018.
 Office Action dated May 23, 2018 in U.S. Appl. No. 29/639,664 filed 3/7/20180.

* cited by examiner

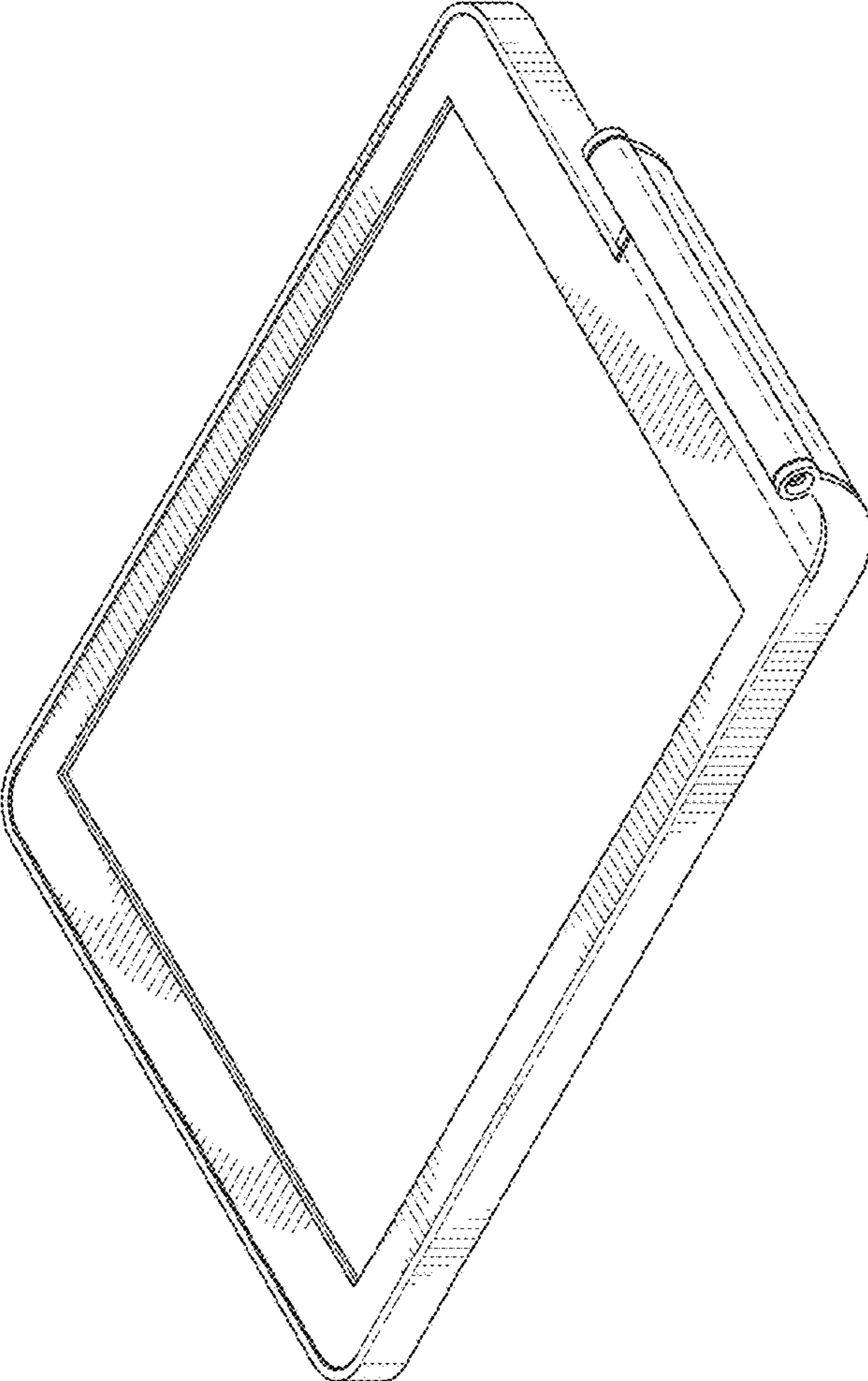


FIG. 1

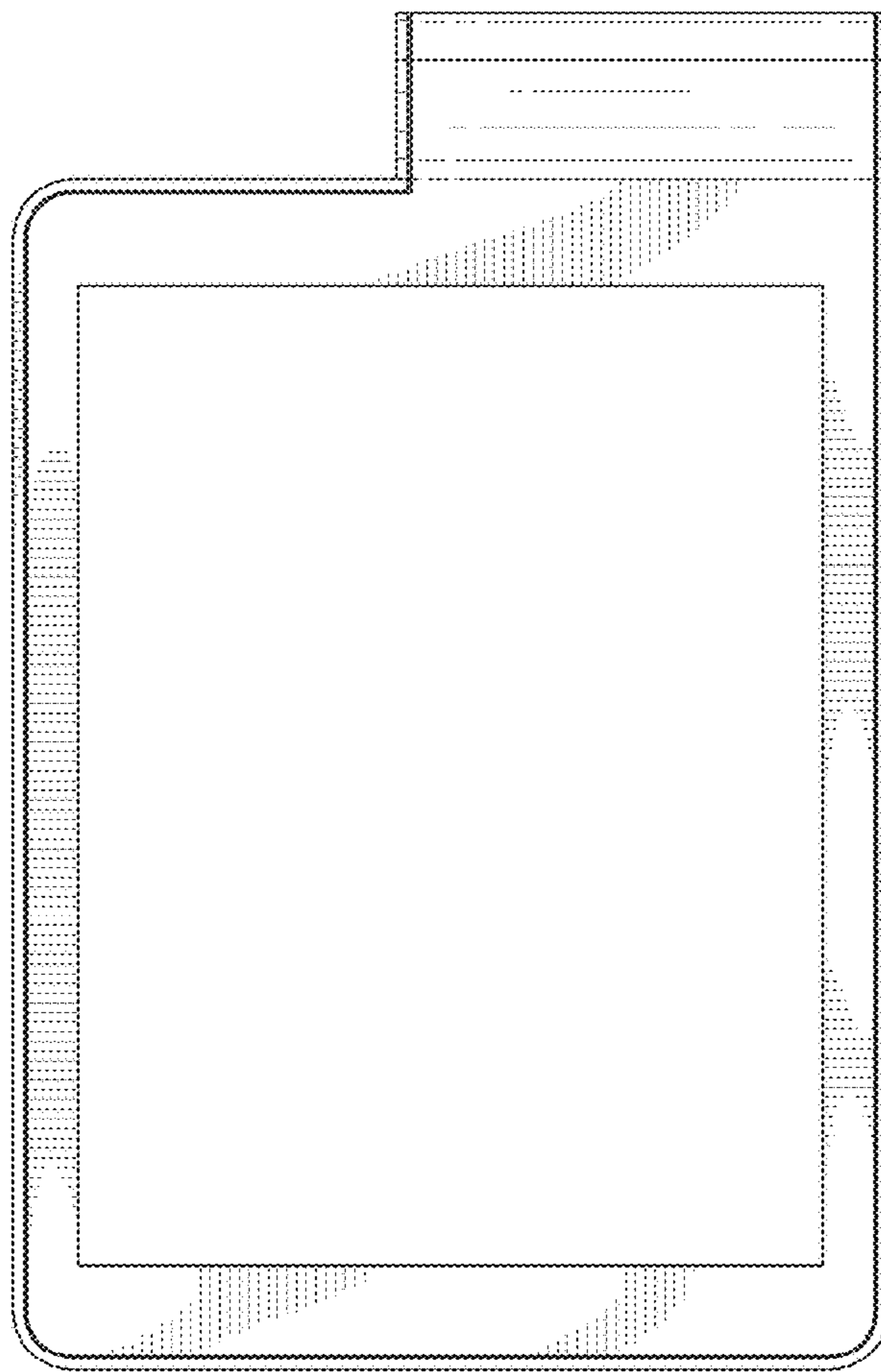


FIG. 2

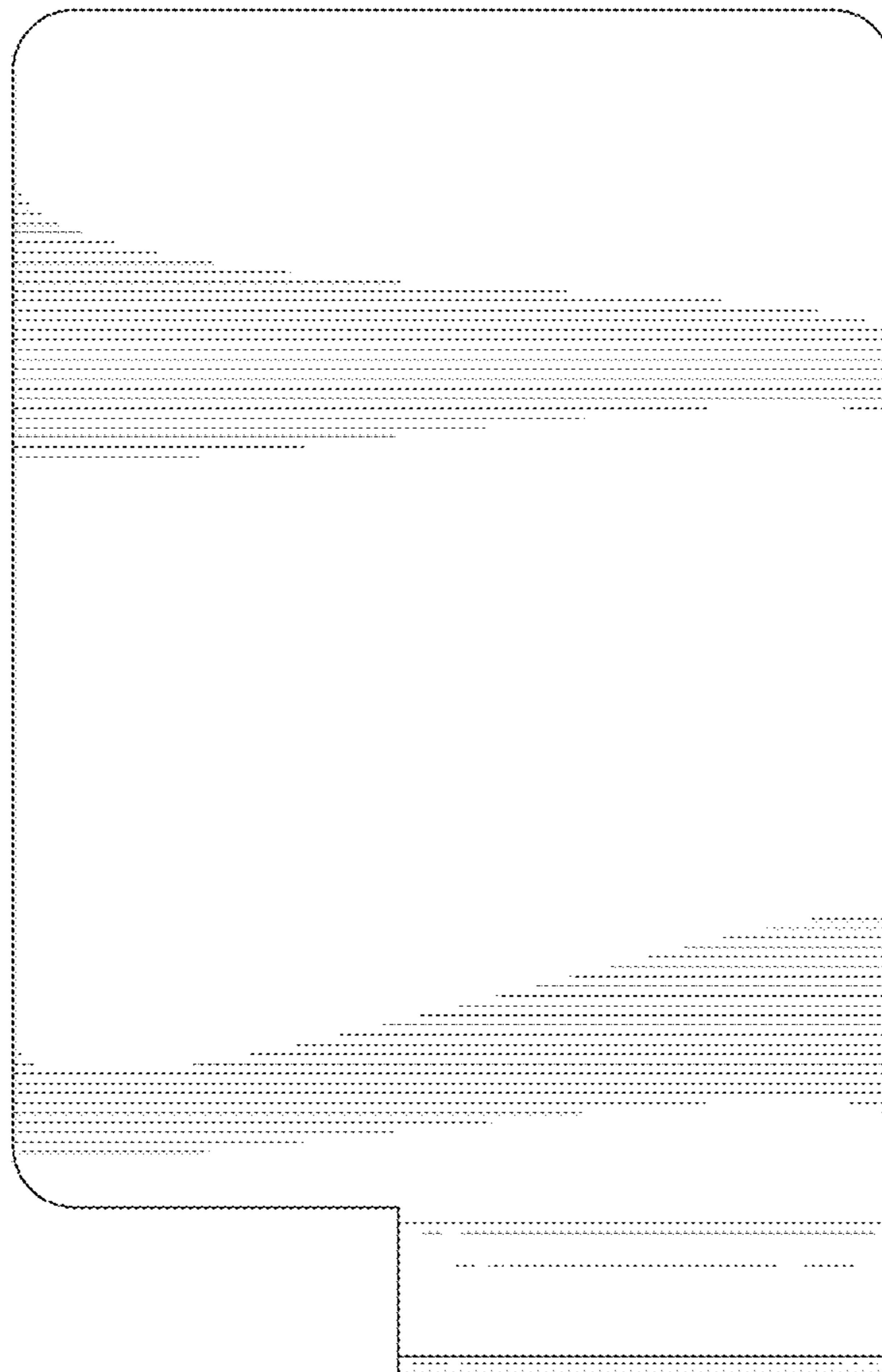


FIG. 3

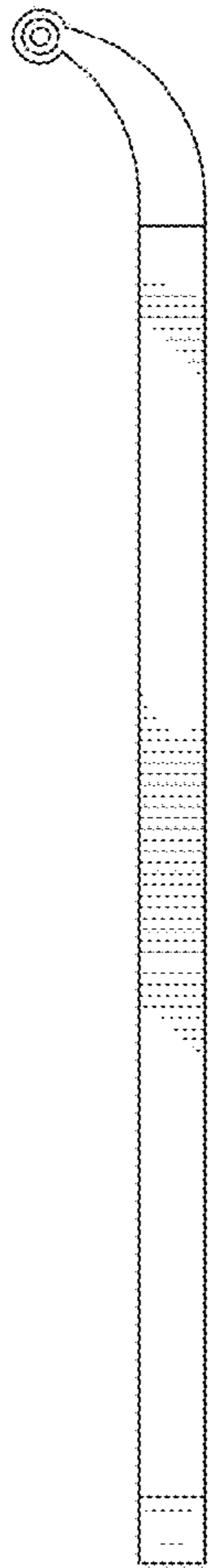


FIG. 4

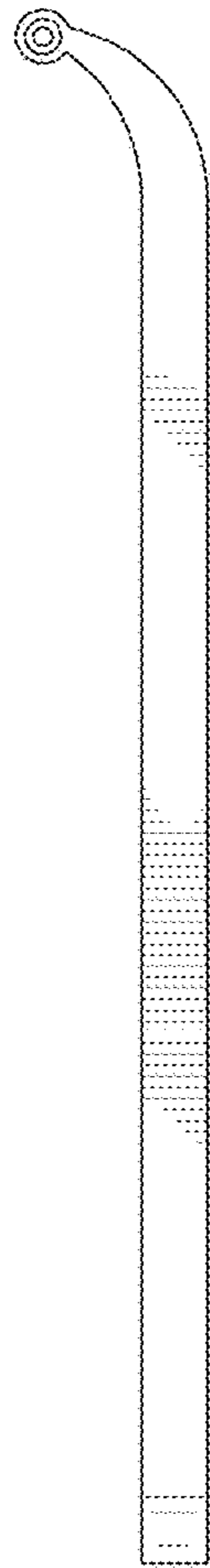


FIG. 5

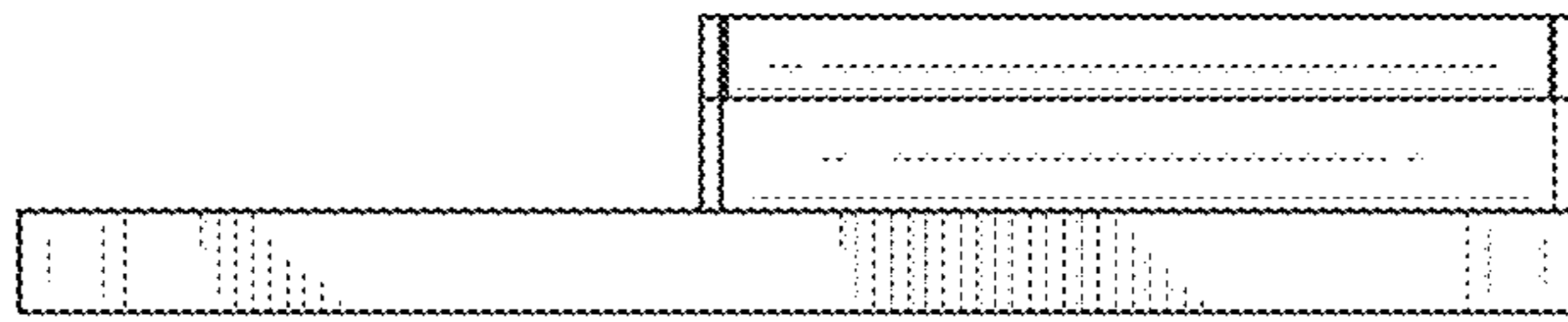


FIG. 7

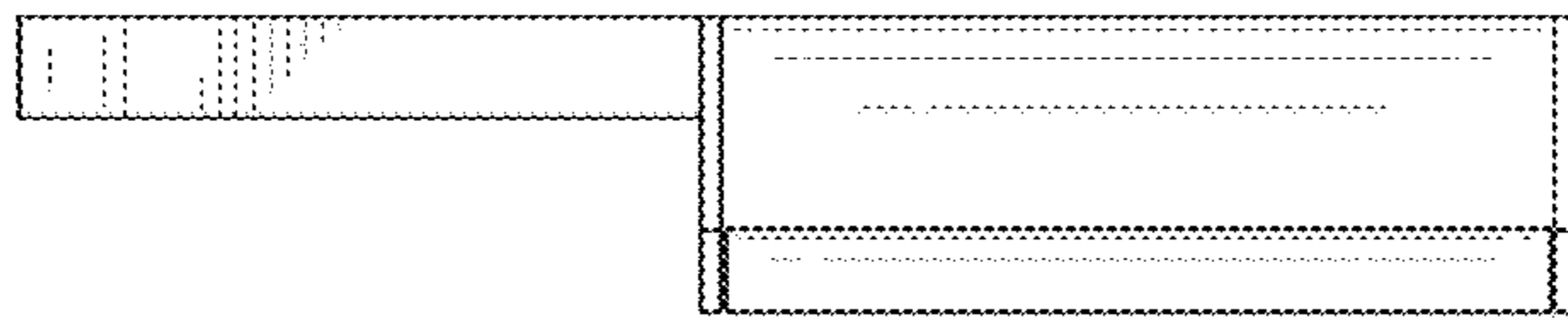


FIG. 6