



US00D847138S

(12) **United States Design Patent** (10) **Patent No.:** **US D847,138 S**
Malimovka (45) **Date of Patent:** **** Apr. 30, 2019**

(54) **FILM SCANNER**

(71) Applicant: **C & A Marketing, Inc.**, Edison, NJ
(US)

(72) Inventor: **Uzi Malimovka**, Givat-Shmuel (IL)

(73) Assignee: **C & A Marketing, Inc.**, Edison, NJ
(US)

(**) Term: **15 Years**

(21) Appl. No.: **29/621,021**

(22) Filed: **Oct. 3, 2017**

(51) **LOC (11) Cl.** **14-02**

(52) **U.S. Cl.**
USPC **D14/420; D16/246; D16/237**

(58) **Field of Classification Search**
USPC **D16/219, 237-250; D14/224, 229, 238,**
D14/251, 253, 420-423, 447, 451, 457;
D24/216, 232

(Continued)

(56) **References Cited**

U.S. PATENT DOCUMENTS

D424,956 S * 5/2000 von Buelow D10/81
D466,101 S * 11/2002 Hu D14/171

(Continued)

OTHER PUBLICATIONS

Kodak Scanza Digital Film & Slide Scanner . [online] Published
Nov. 28, 2017. Retrieved Oct. 17, 2018 from URL: https://www.amazon.com/dp/B00O2BU8PK/ref=sspa_dk_hqp_detail_aax_0?psc=1.*

(Continued)

Primary Examiner — Vy N Koenig

(74) *Attorney, Agent, or Firm* — Weiss & Arons LLP; Avi
Goldenberg, Esq.

(57) **CLAIM**

The ornamental design for a film scanner, as shown and described.

DESCRIPTION

FIG. 1 is a top, front, left side isometric view of a film scanner showing my new design;
 FIG. 2 is a front elevational view thereof;
 FIG. 3 is a rear elevational view thereof;
 FIG. 4 is a right side elevational view thereof;
 FIG. 5 is a left side elevational view thereof;
 FIG. 6 is a top plan view thereof;
 FIG. 7 is a bottom plan view thereof;
 FIG. 8 is a top, front, right side isometric view thereof;
 FIG. 9 is a rear, top, right side isometric view thereof;
 FIG. 10 is a rear, top, left side isometric view thereof;
 FIG. 11 is a bottom, front, left side isometric view thereof;
 FIG. 12 is a bottom, rear isometric view thereof;
 FIG. 13 is a top, front, left side isometric view of the film scanner shown in FIG. 1 in an alternate configuration with the screen folded down;
 FIG. 14 is a front elevational view thereof;
 FIG. 15 is a rear elevational view thereof;
 FIG. 16 is a right side elevational view thereof;
 FIG. 17 is a left side elevational view thereof;
 FIG. 18 is a top plan view thereof;
 FIG. 19 is a bottom plan view thereof;
 FIG. 20 is a top, front, right side isometric view thereof;
 FIG. 21 is a rear, top, right side isometric view thereof;
 FIG. 22 is a rear, top, left side isometric view thereof;
 FIG. 23 is a bottom, front, left side isometric view thereof;
 FIG. 24 is a bottom, rear isometric view thereof;
 FIG. 25 is a top, front, left side isometric view of the film scanner shown in FIG. 1 in an alternate condition of use;
 FIG. 26 is a front elevational view thereof;
 FIG. 27 is a rear elevational view thereof;
 FIG. 28 is a right side elevational view thereof;
 FIG. 29 is a left side elevational view thereof;
 FIG. 30 is a top plan view thereof;
 FIG. 31 is a bottom plan view thereof;
 FIG. 32 is a top, front, right side isometric view thereof;
 FIG. 33 is a rear, top, right side isometric view thereof;
 FIG. 34 is a rear, top, left side isometric view thereof;

(Continued)

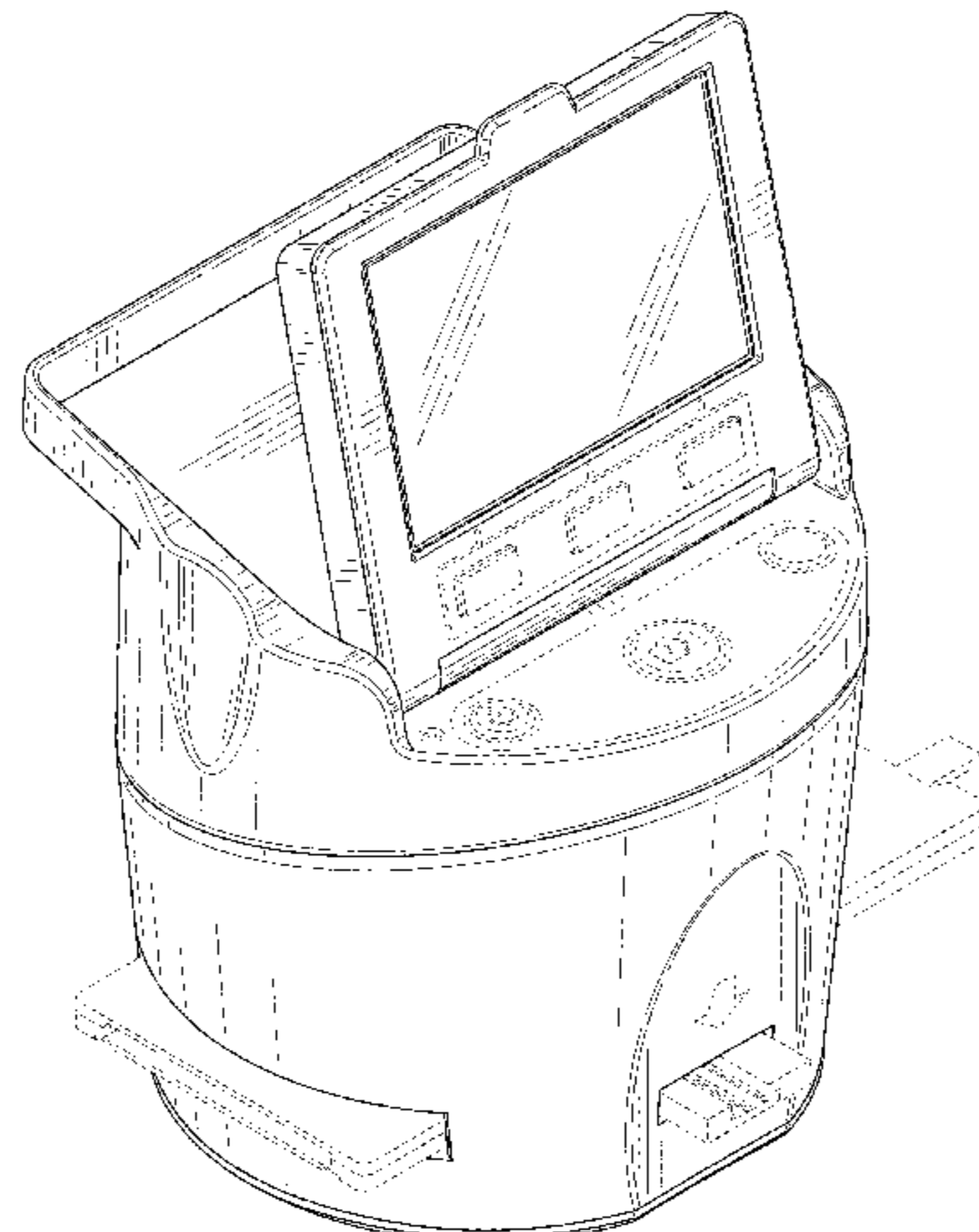


FIG. 35 is a bottom, front, left side isometric view thereof; and,

FIG. 36 is a bottom, rear isometric view thereof.

The subject matter shown in broken line depicts portions of the film scanner in which the design is embodied and environmental structure that form no part of the claimed design.

1 Claim, 36 Drawing Sheets

(58) **Field of Classification Search**

CPC .. A45F 5/00; A45F 5/10; F16M 11/06; F16M 11/07; F16M 11/08; F16M 11/09; F16M 11/10; G03B 17/56; G03B 17/561; G03B 17/563; G03B 17/565; G03B 17/566; G03B 17/568; H04N 5/2253-5/2254

See application file for complete search history.

(56) **References Cited**

U.S. PATENT DOCUMENTS

D517,519	S	*	3/2006	Skulley	D13/108
D517,554	S	*	3/2006	Yanagisawa	D14/421
D523,412	S	*	6/2006	Ham	D13/108
D582,974	S	*	12/2008	Inoue	D18/50

D595,330	S	*	6/2009	Hsu	D16/246
D635,176	S	*	3/2011	Hsu	D16/246
D644,544	S	*	9/2011	Yukikado	D10/81
D666,234	S	*	8/2012	Stimel, Jr.	D16/237
D687,876	S	*	8/2013	Backus	D16/219
D777,822	S	*	1/2017	Velazquez	D16/225
D782,691	S	*	3/2017	Funakoshi	D24/216
D794,211	S	*	8/2017	Ang	D24/232
D807,326	S	*	1/2018	Justis	D14/214
D829,337	S	*	9/2018	Klein	D24/216
2006/0104655	A1	*	5/2006	Learmonth	G03G 21/1609 399/75
2006/0132609	A1	*	6/2006	Nogo	H04N 1/00278 348/207.2

OTHER PUBLICATIONS

Wolverine Titan 8-in-1 High Resolution Film to Digital Converter with 4.3 Screen. [online] Published on Feb. 1, 2017. Retrieved Oct. 18, 2018 from URL: https://www.amazon.com/dp/B01MRCNSJT/ref=cm_sw_r_cp_ep_dp_snnYBbM26M8X1.*

M122, 35mm Film Scanner Photo, Name Card, Slides and Negatives . . . [online] Retrieved Nov. 20, 2018 from URL: [http://www.digitnow.us/Digitnow-M122-35mm-Film-Scanner-Photo-Name-Card-Slides-and-Negatives-to-Digital-Converter-for-Saving-Films-to-Digital-Files-\(10-Megapixels-Interpolated\)_show30.html?huobi=14](http://www.digitnow.us/Digitnow-M122-35mm-Film-Scanner-Photo-Name-Card-Slides-and-Negatives-to-Digital-Converter-for-Saving-Films-to-Digital-Files-(10-Megapixels-Interpolated)_show30.html?huobi=14).*

* cited by examiner

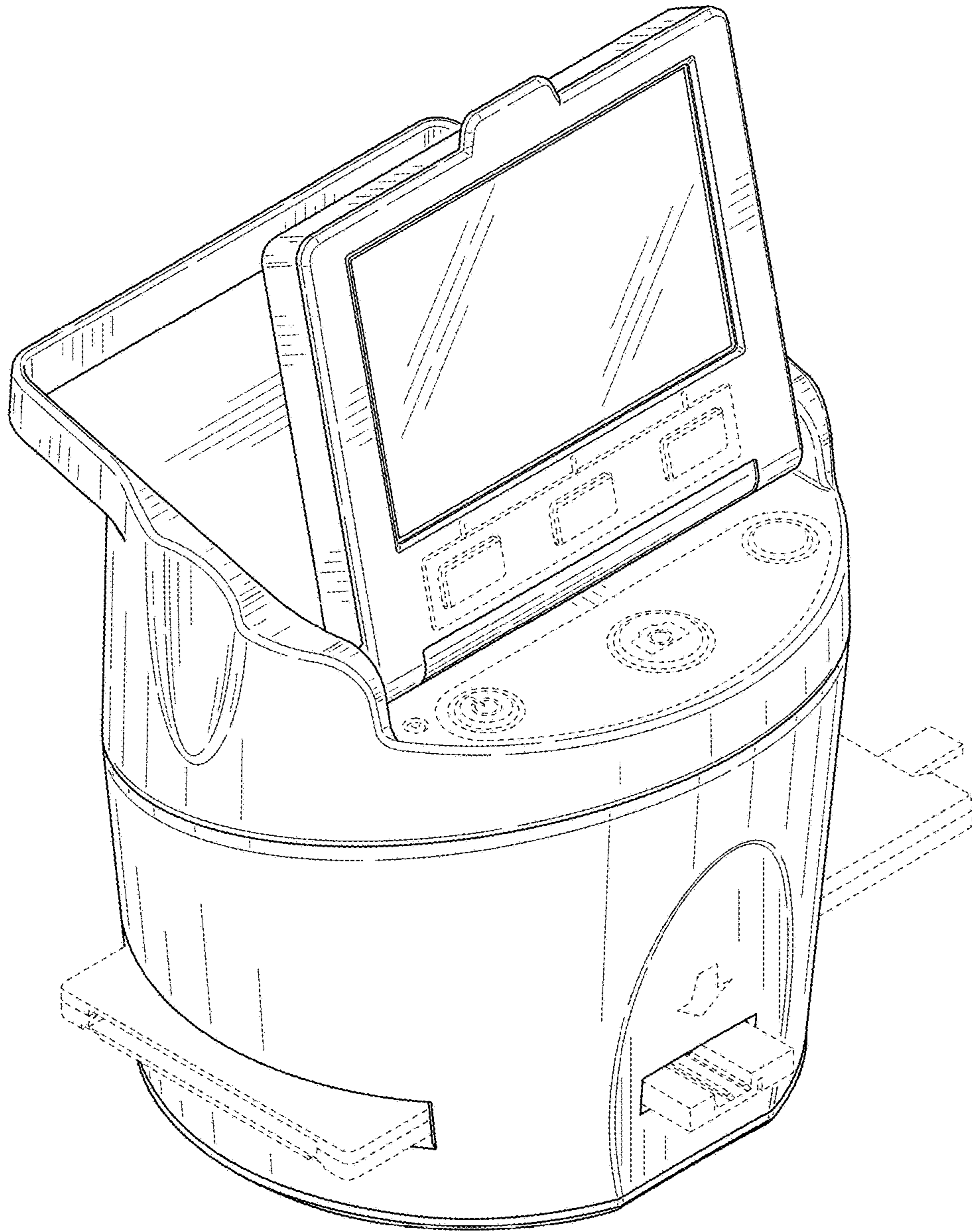


FIG. 1

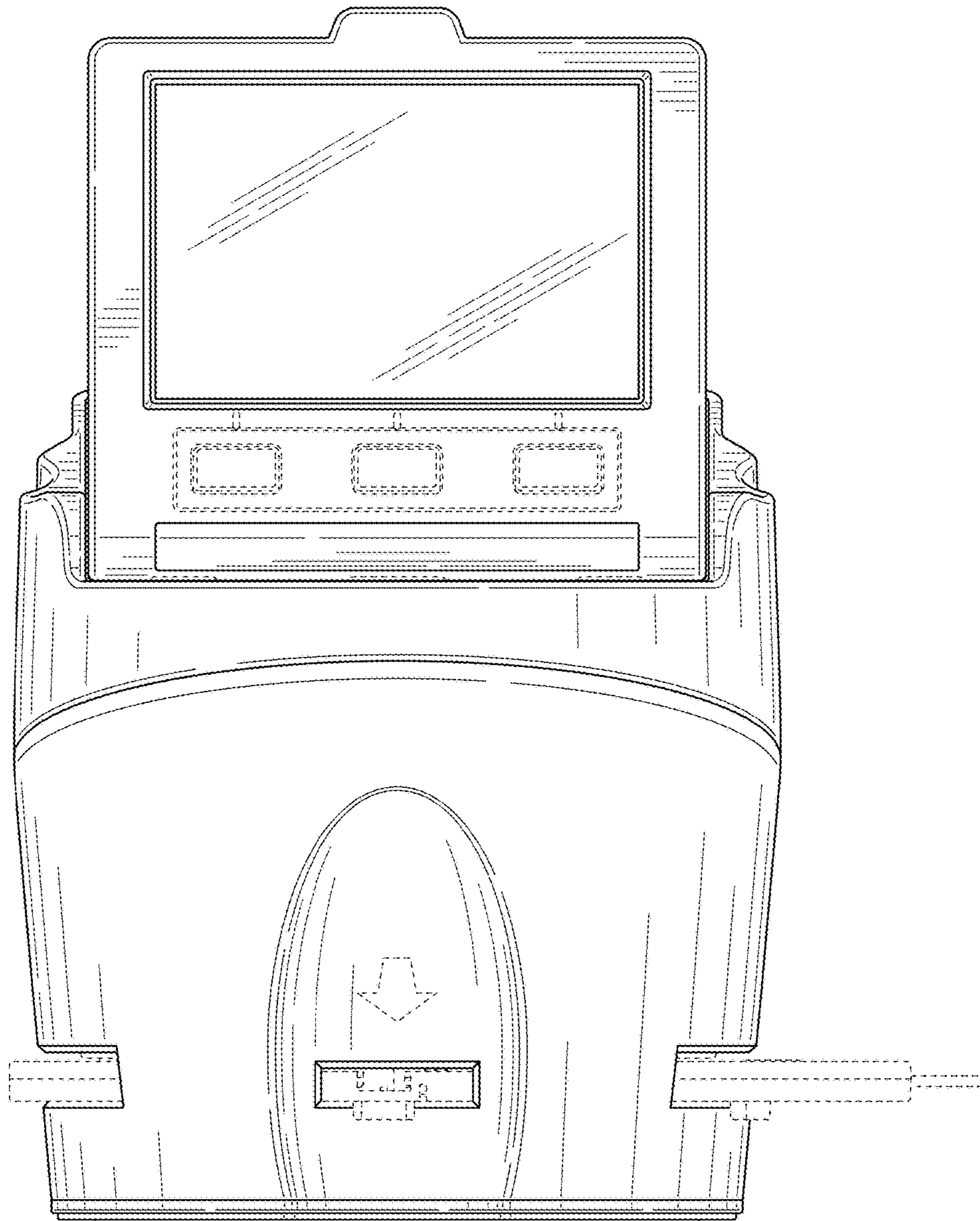


FIG. 2

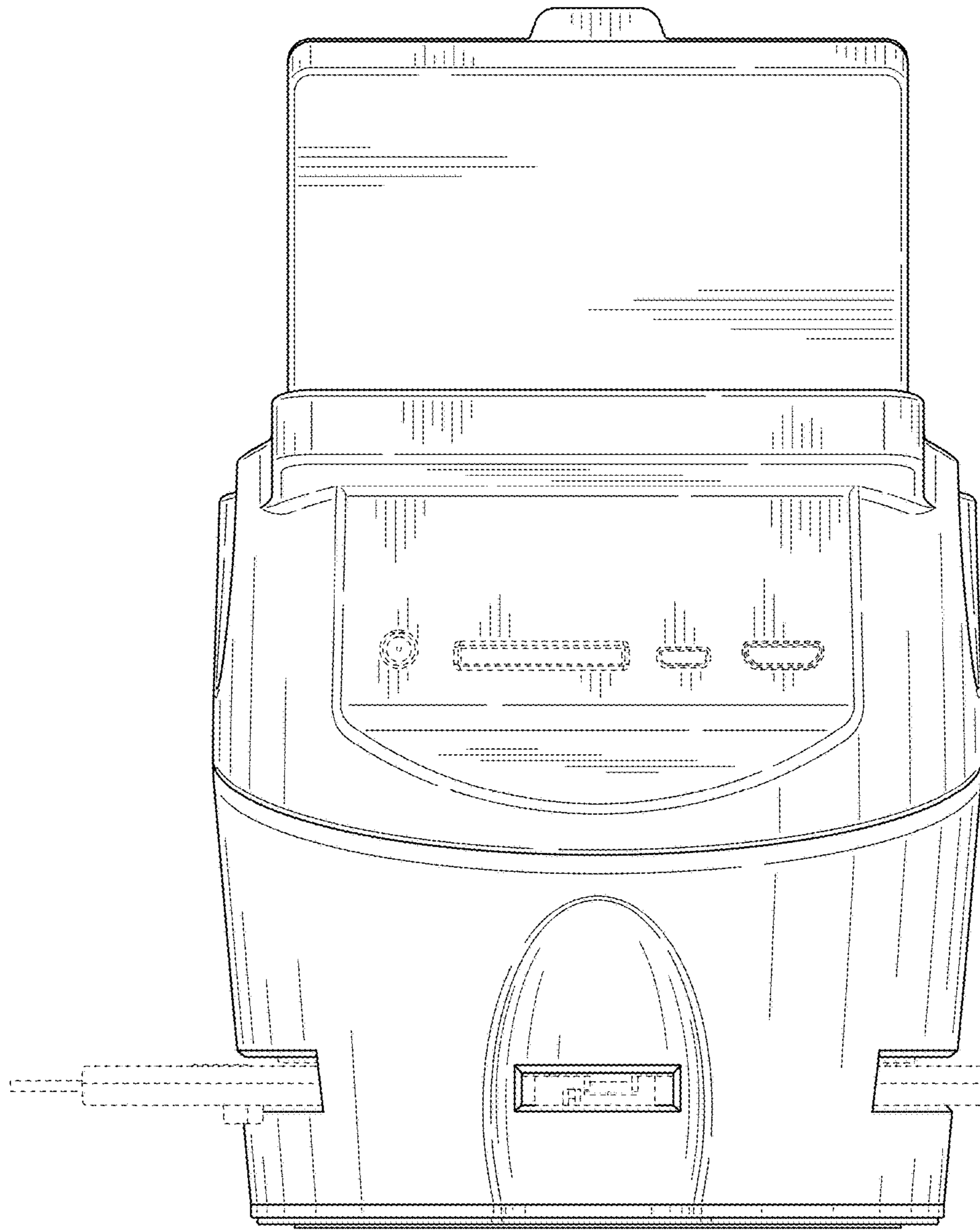


FIG. 3

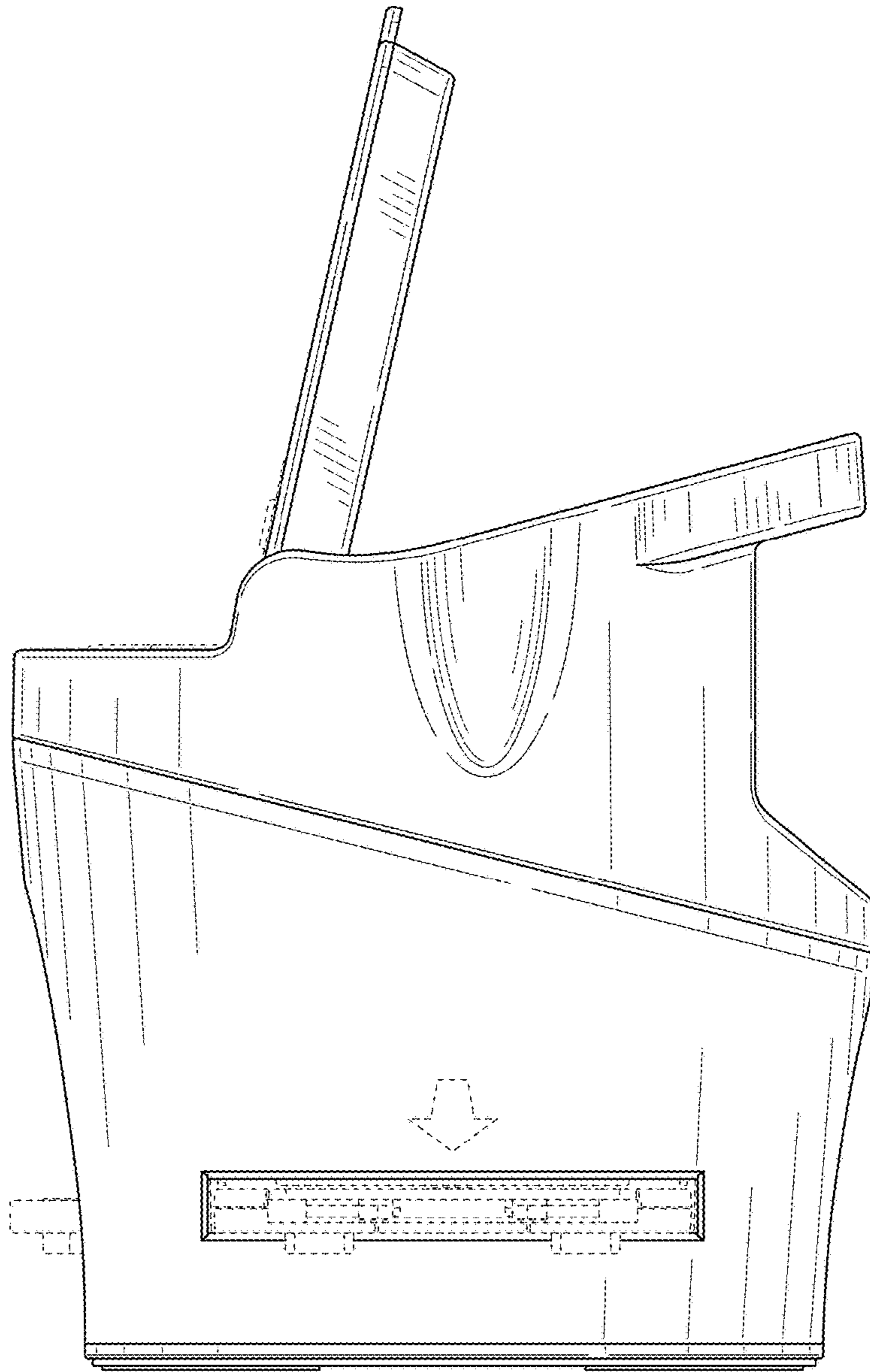


FIG. 4

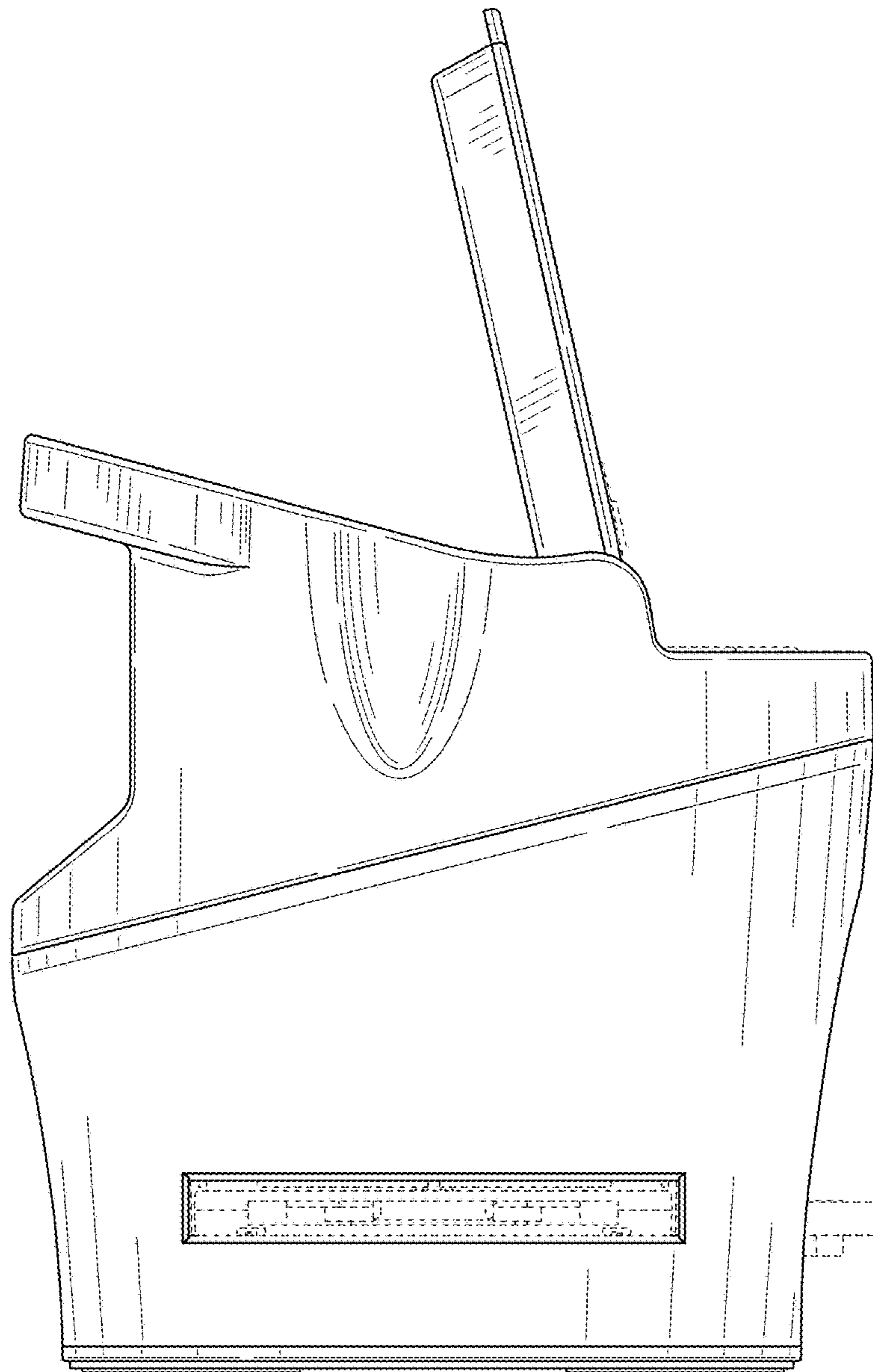


FIG. 5

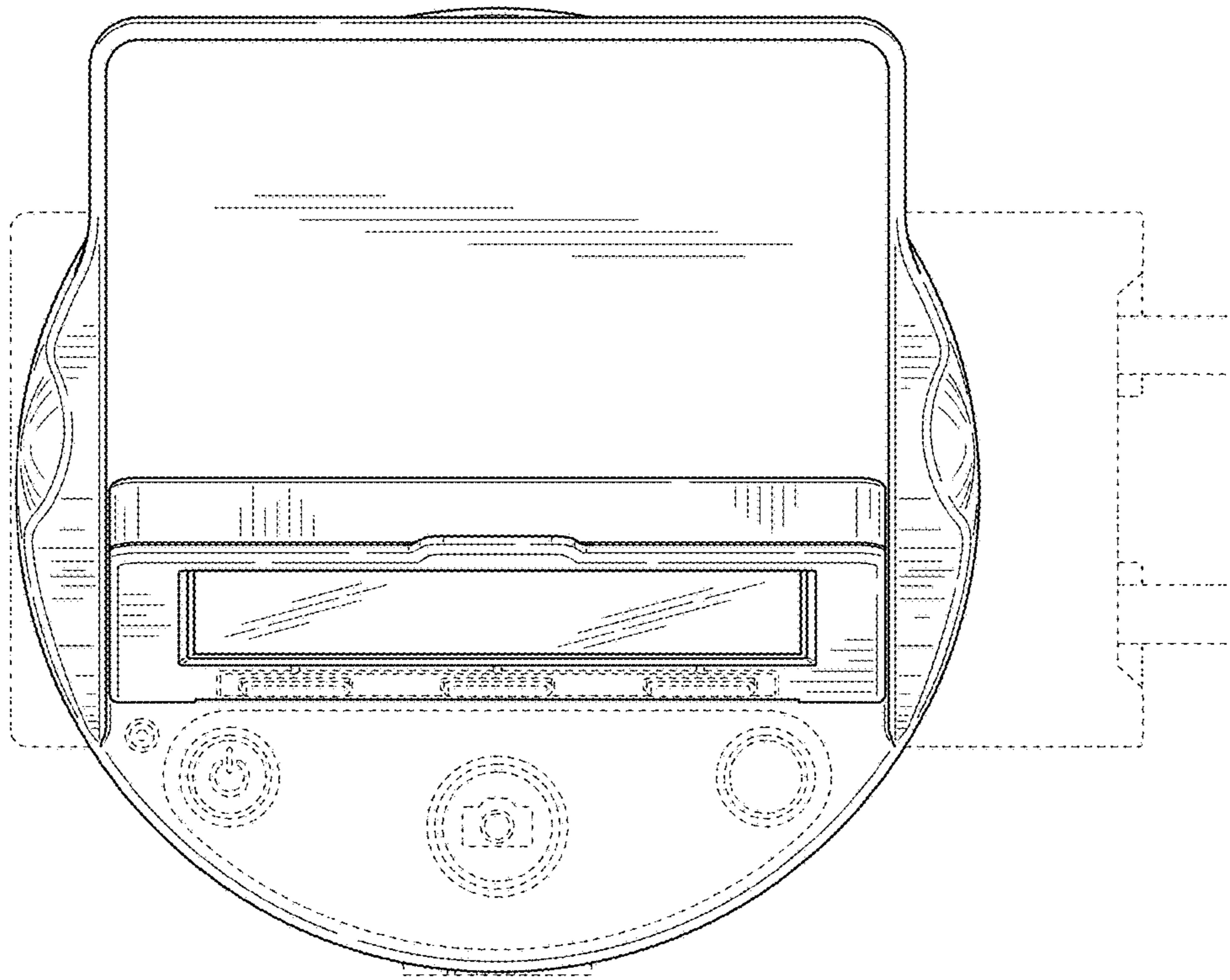


FIG. 6

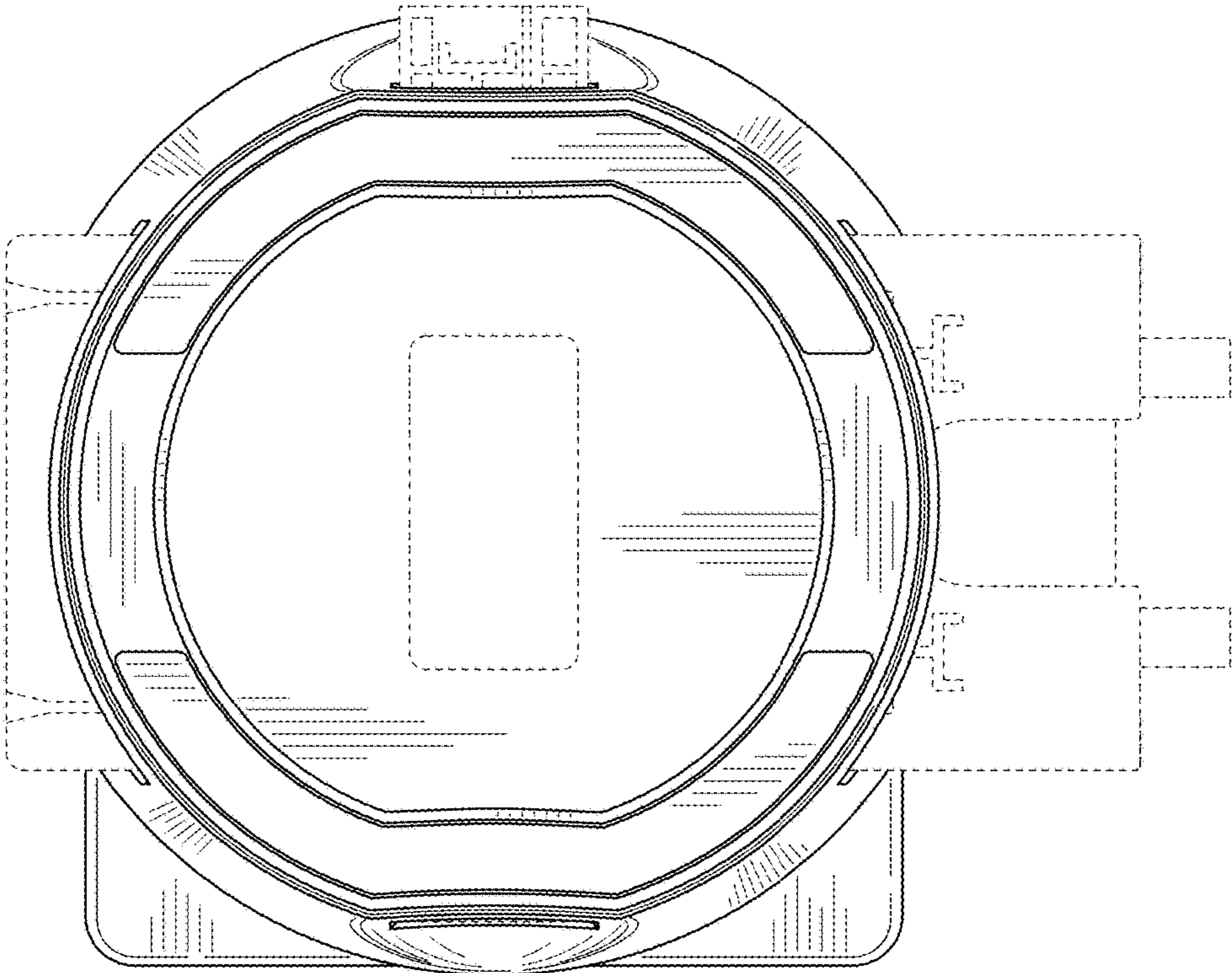


FIG. 7

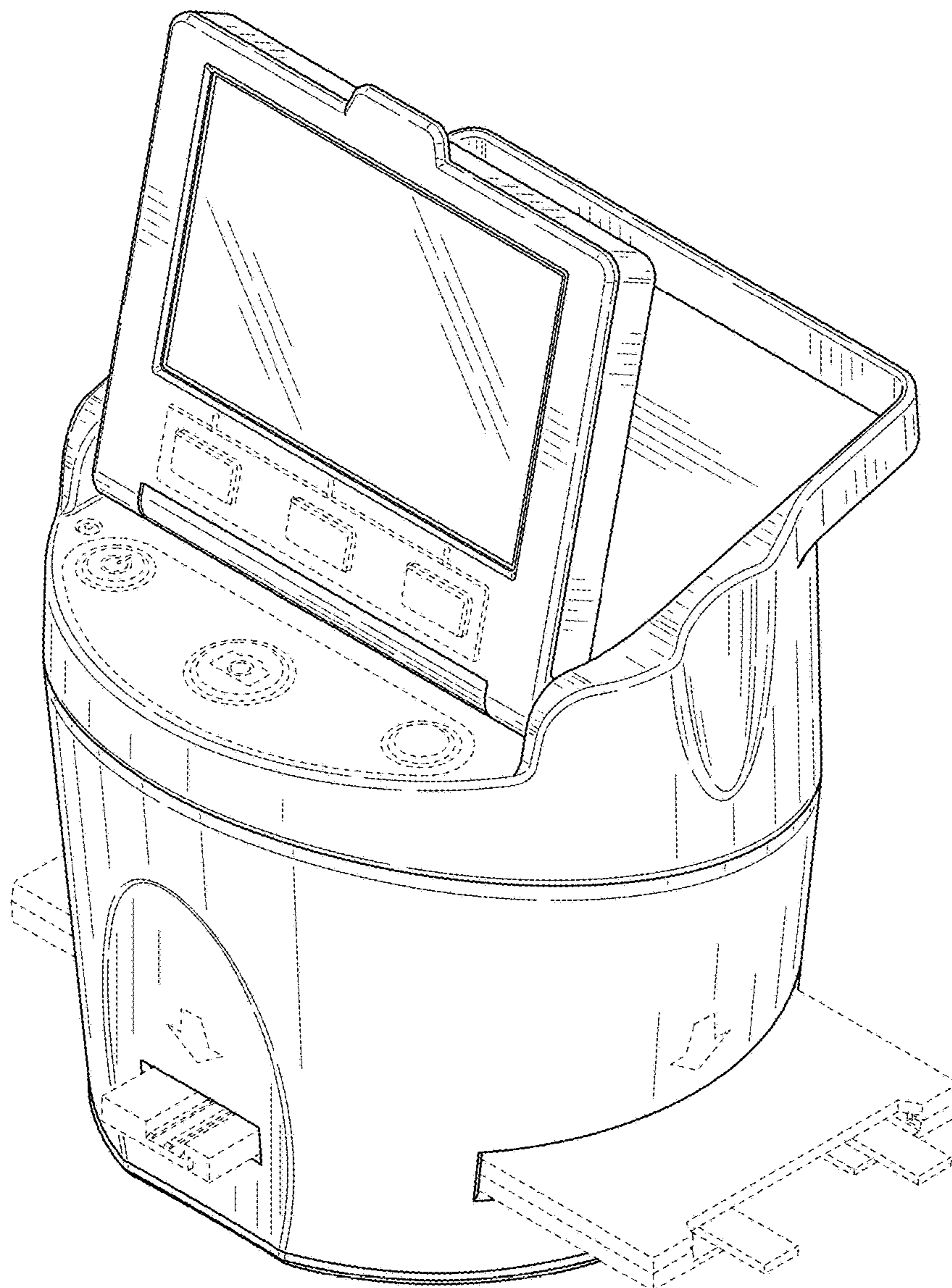


FIG. 8

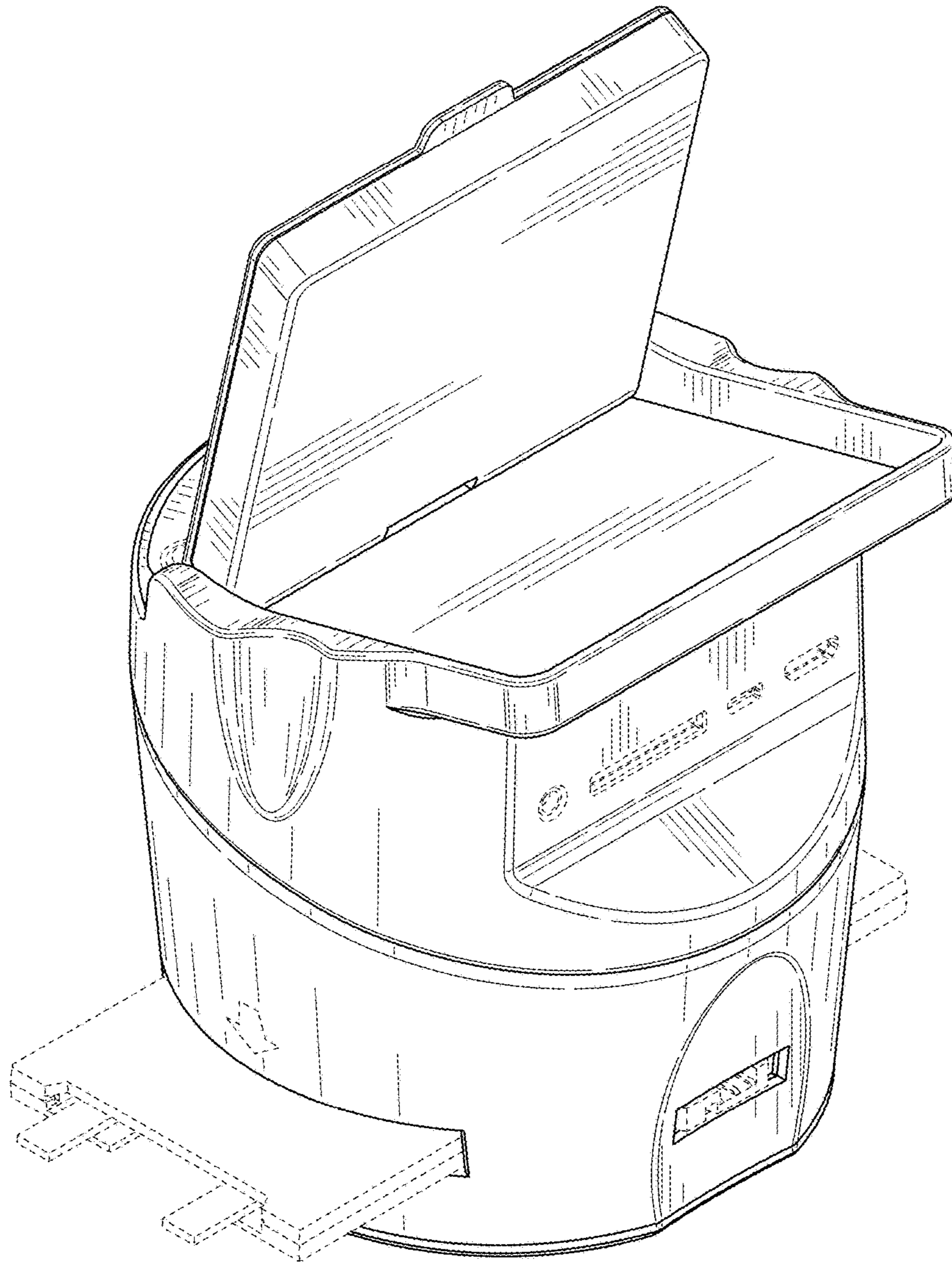


FIG. 9

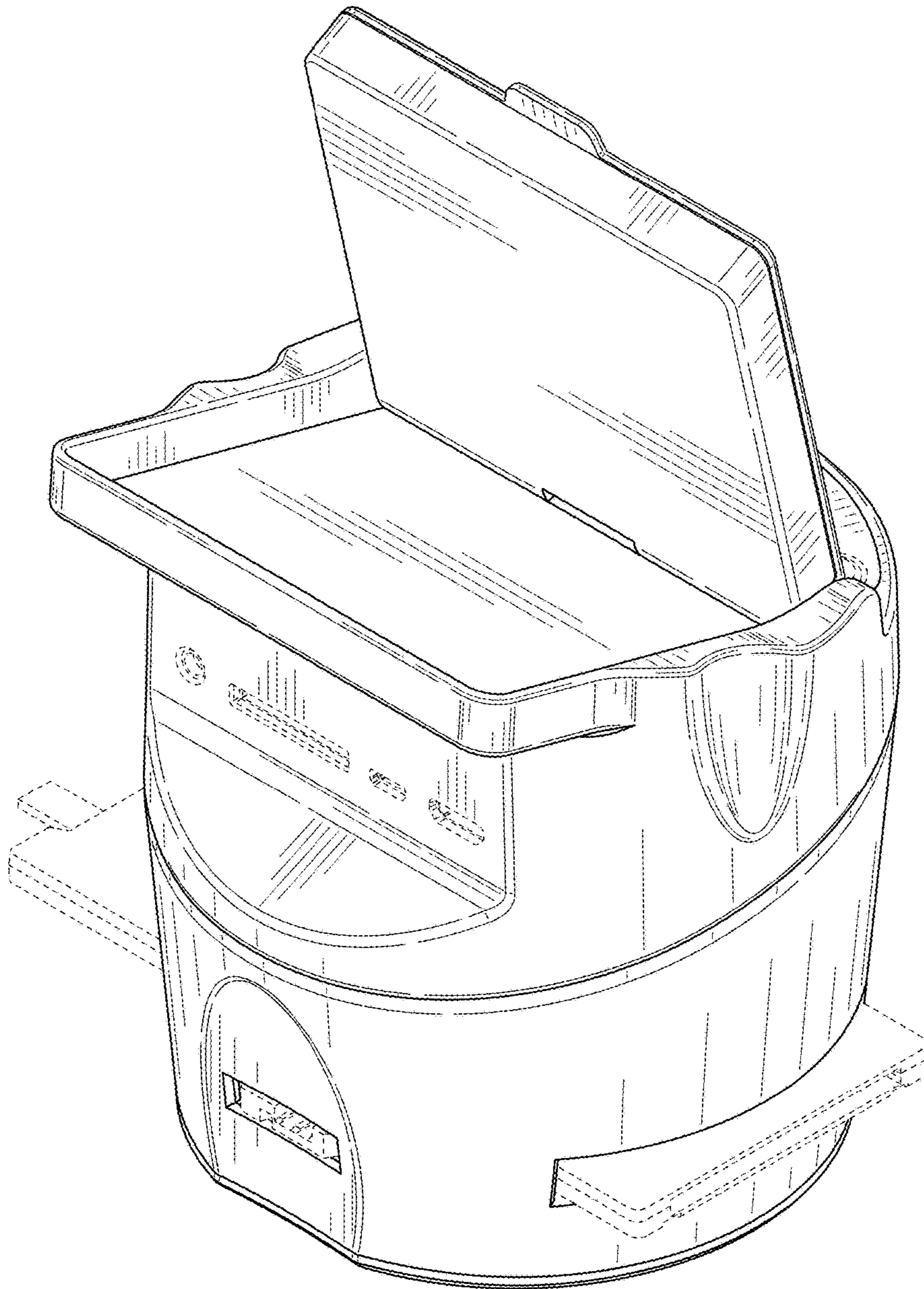


FIG. 10

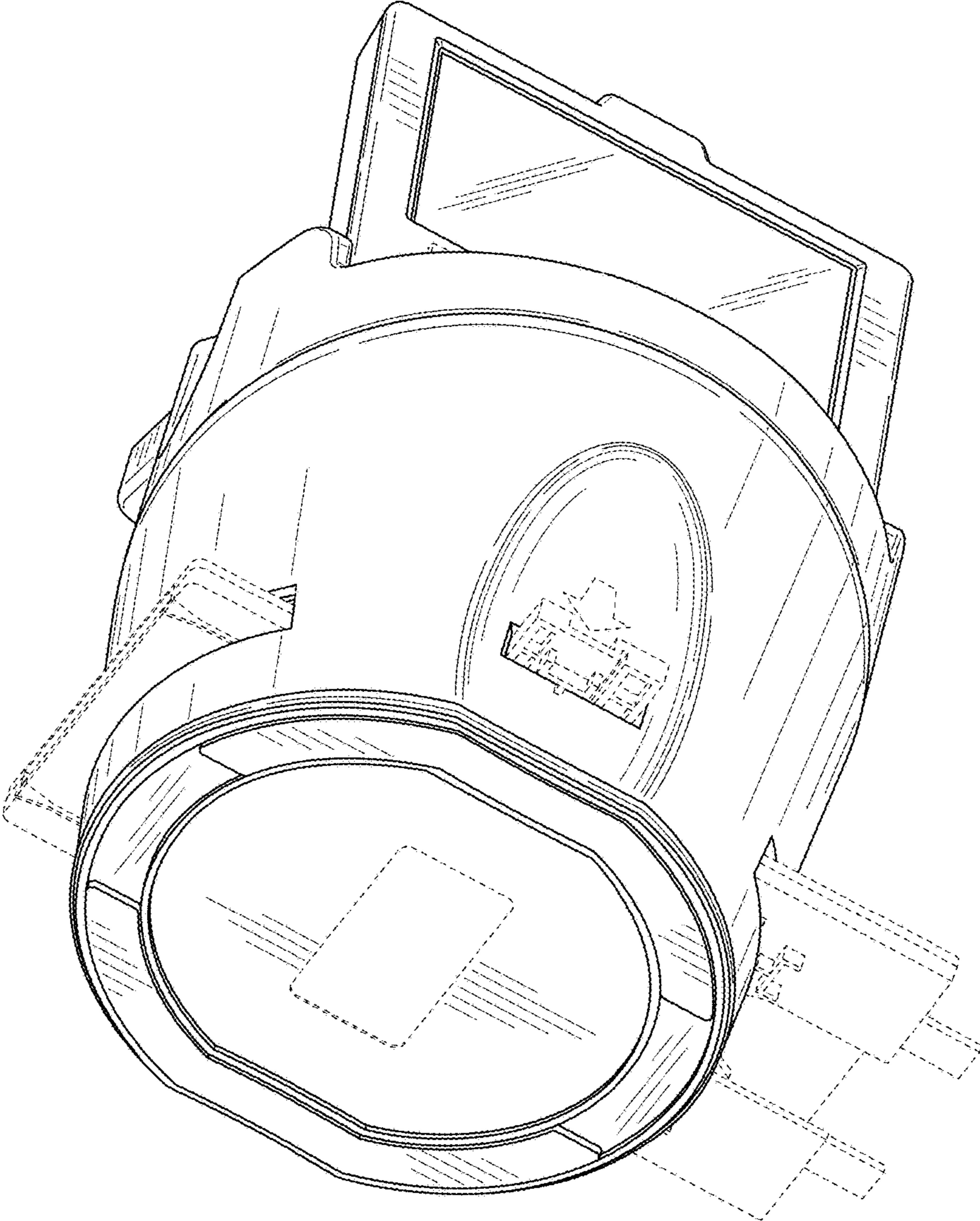


FIG. 11

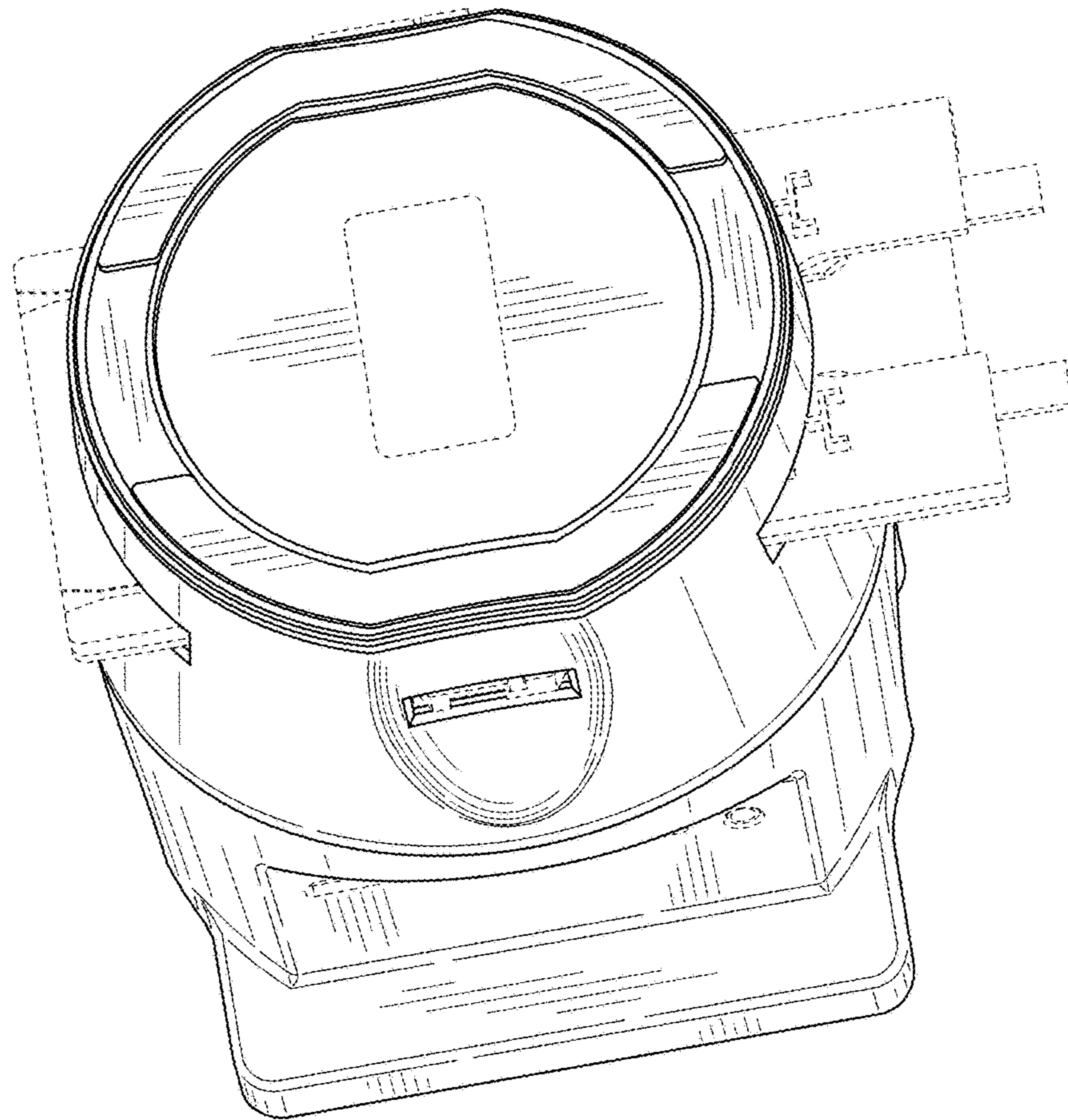


FIG. 12

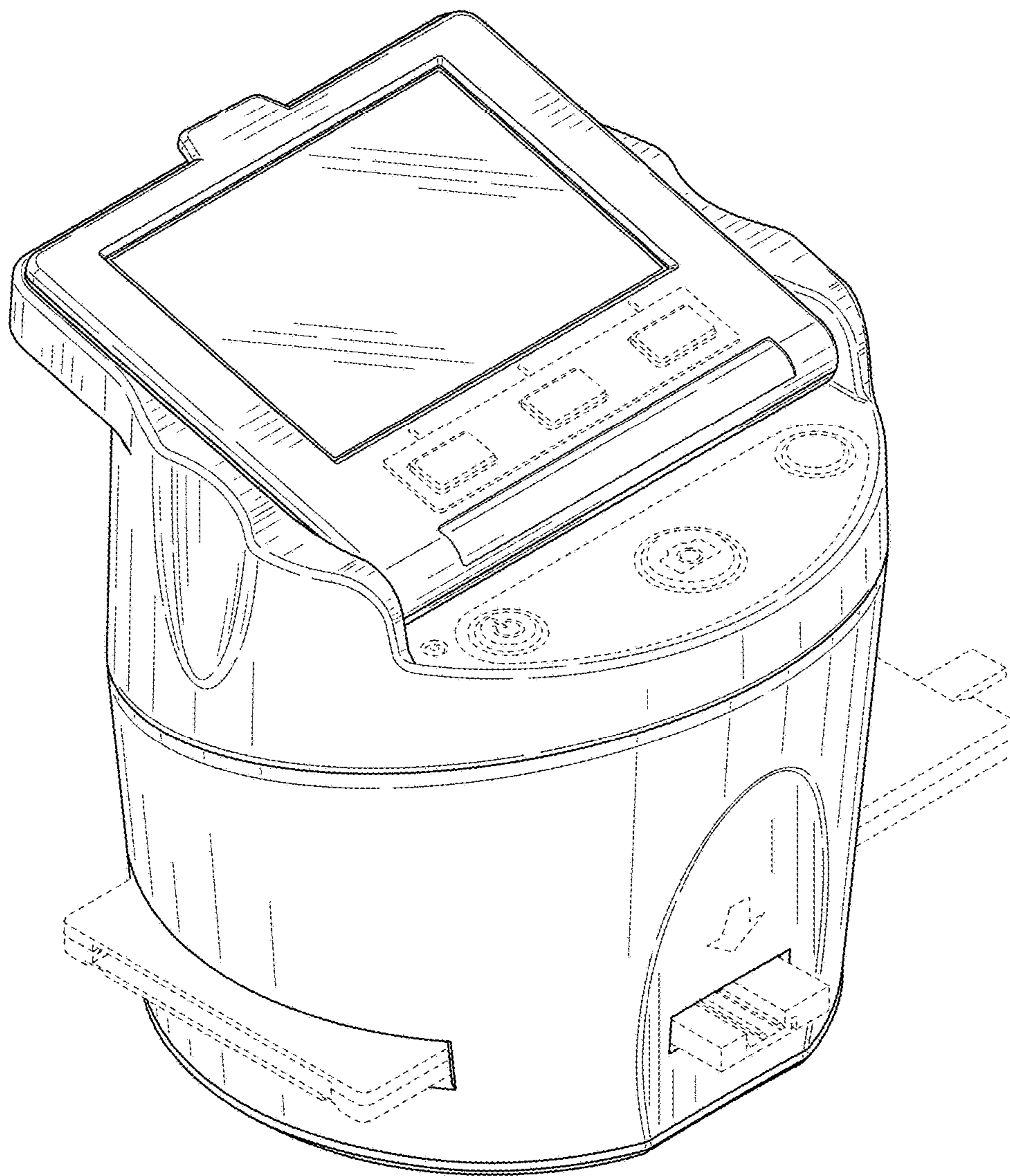


FIG. 13

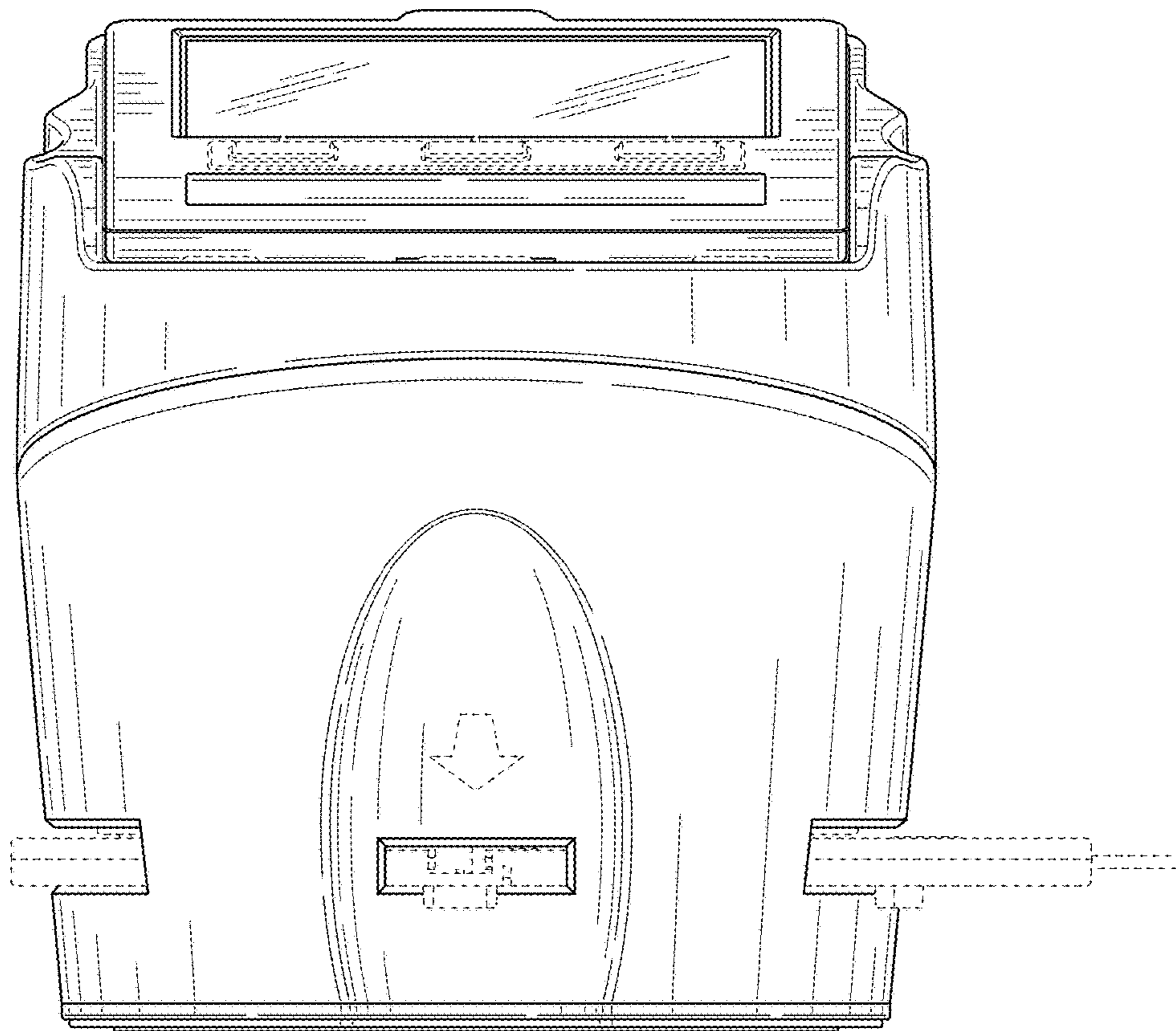


FIG. 14

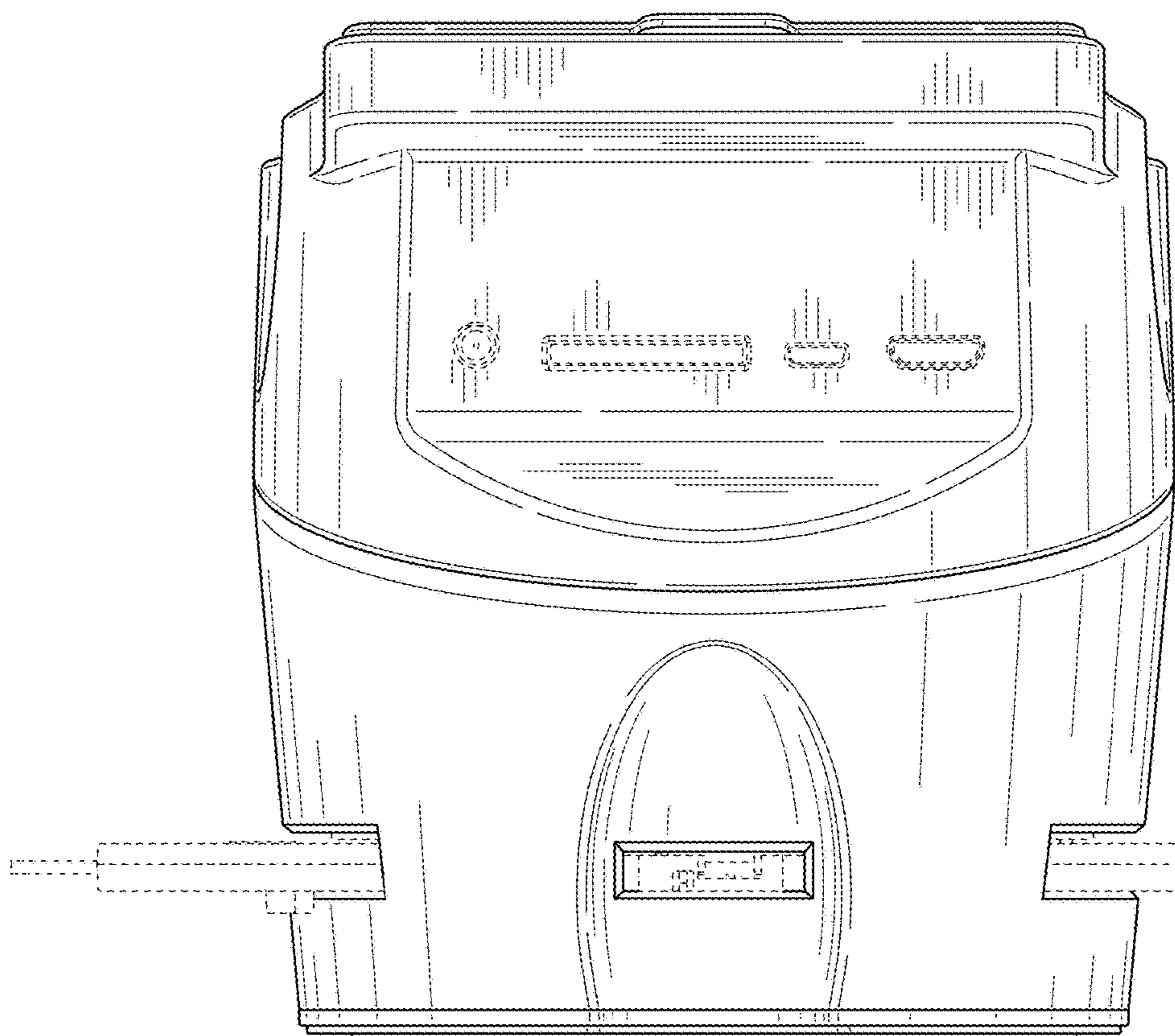


FIG. 15

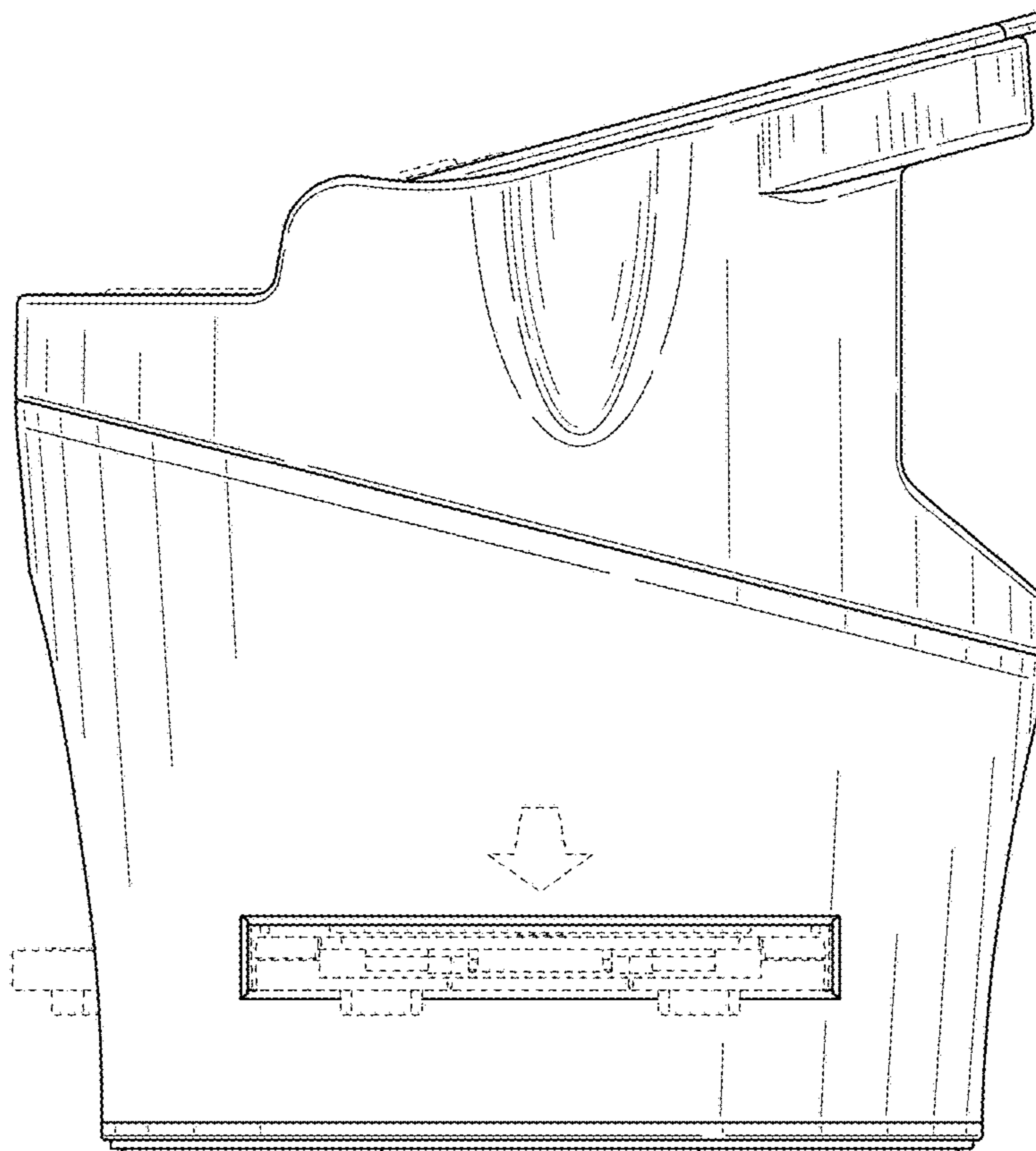


FIG. 16

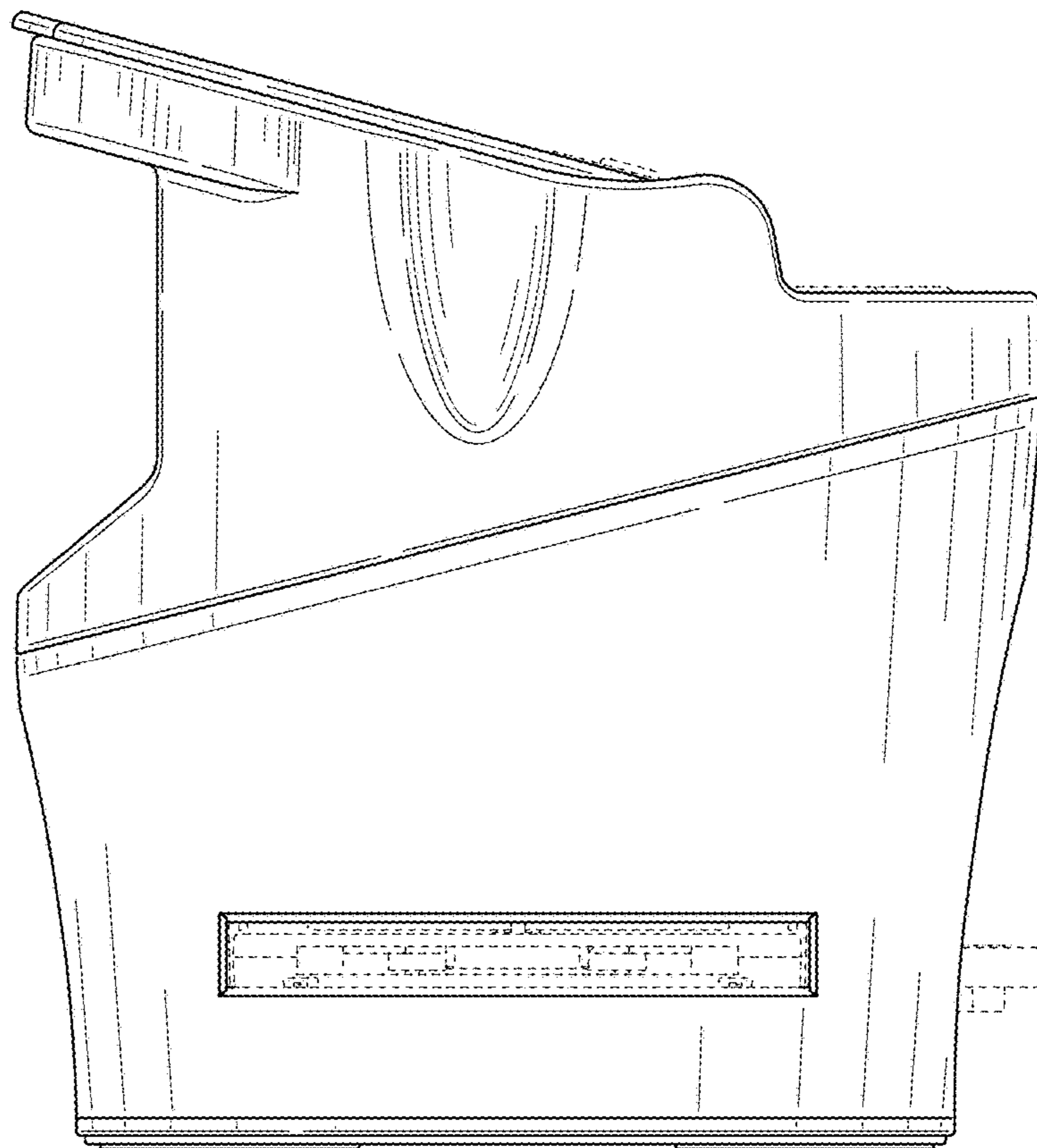


FIG. 17

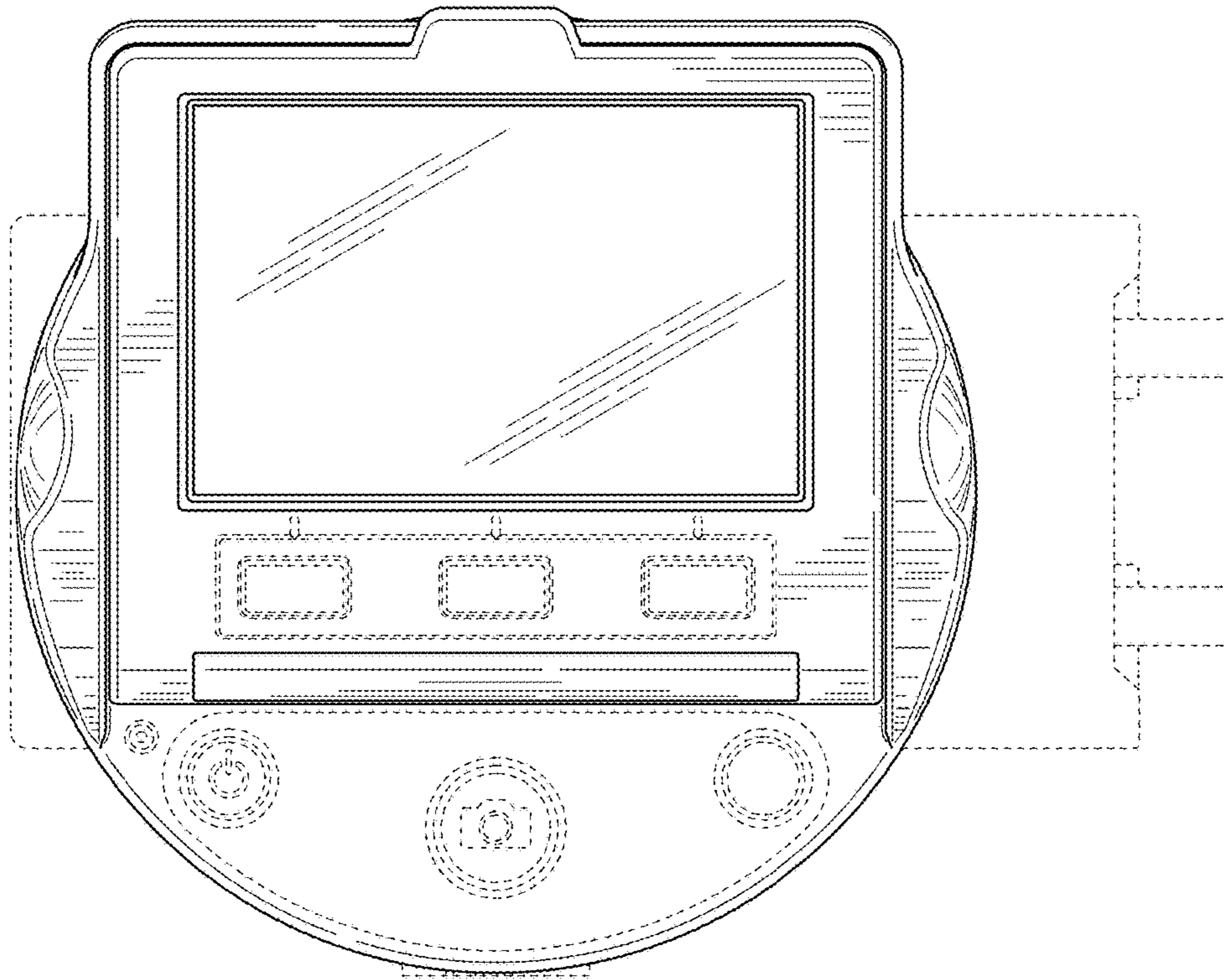


FIG. 18

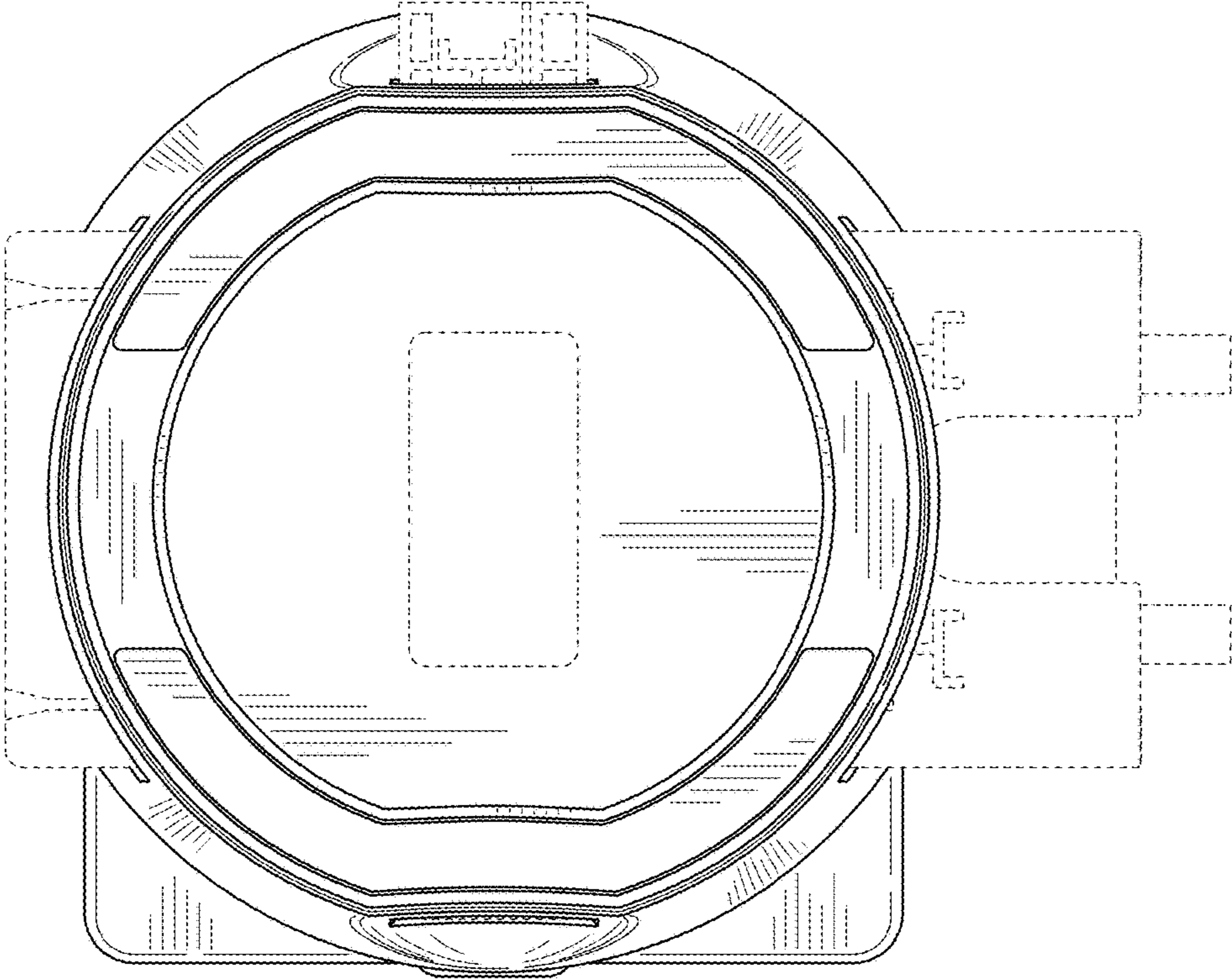


FIG. 19

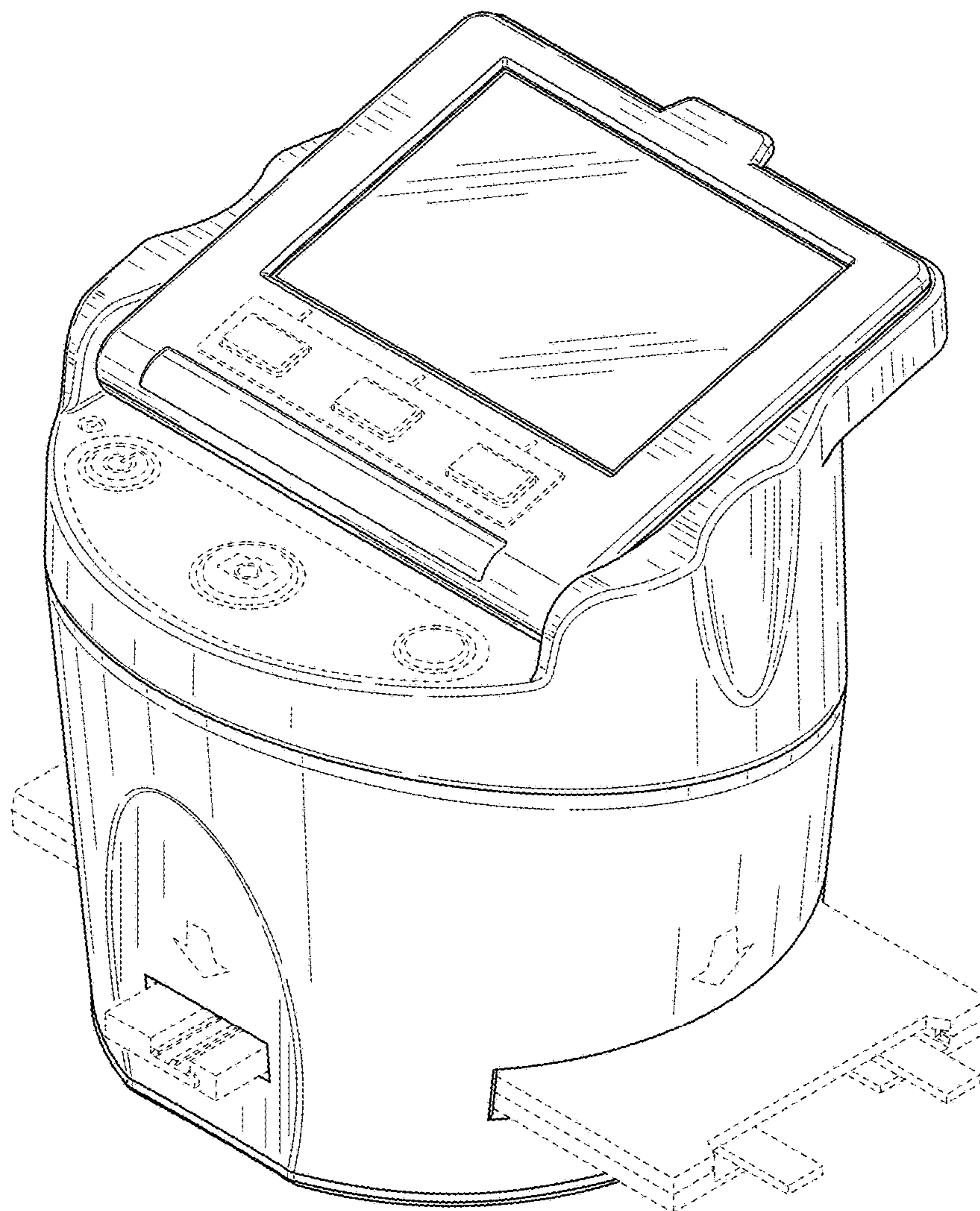


FIG. 20

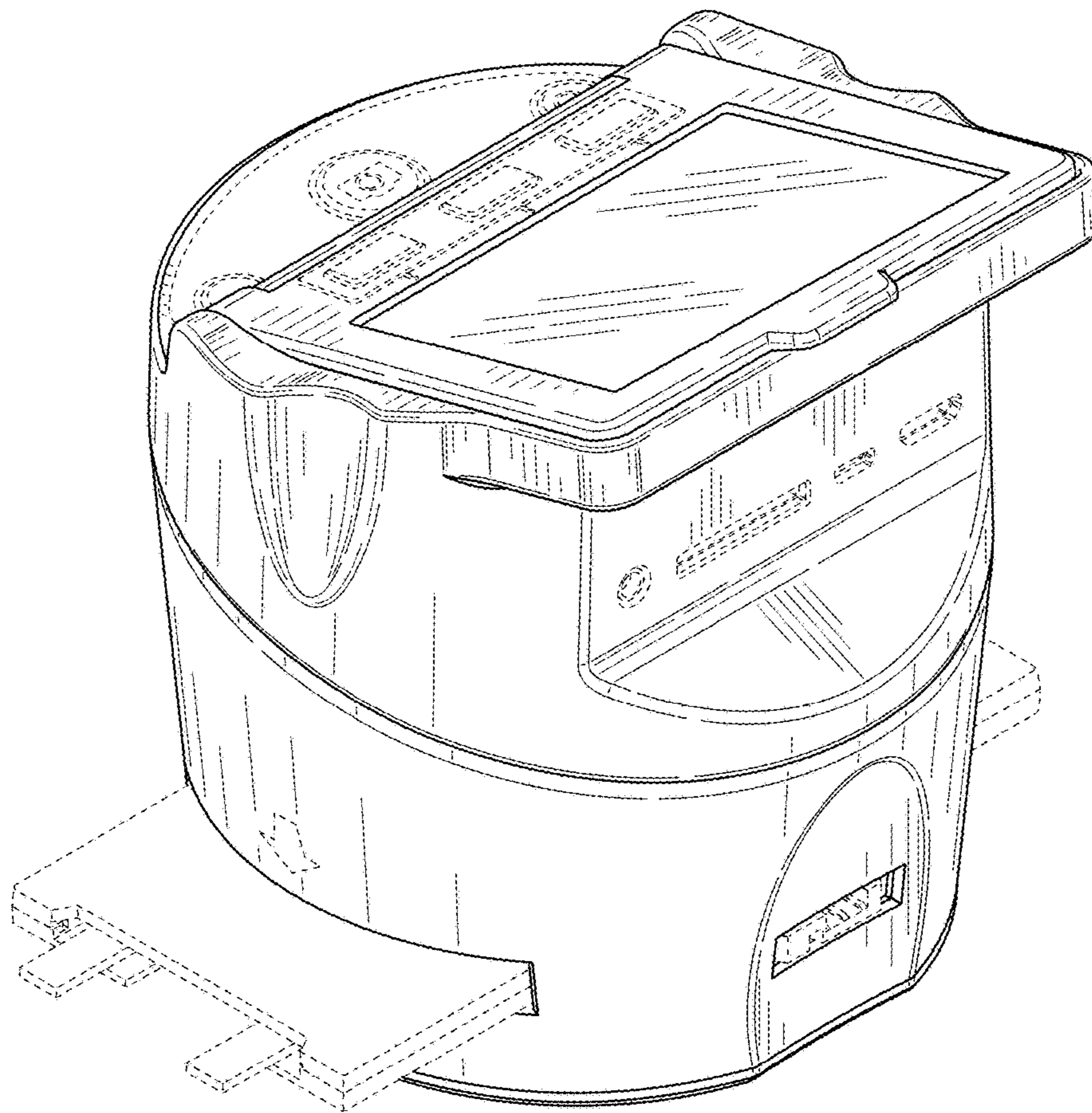


FIG. 21

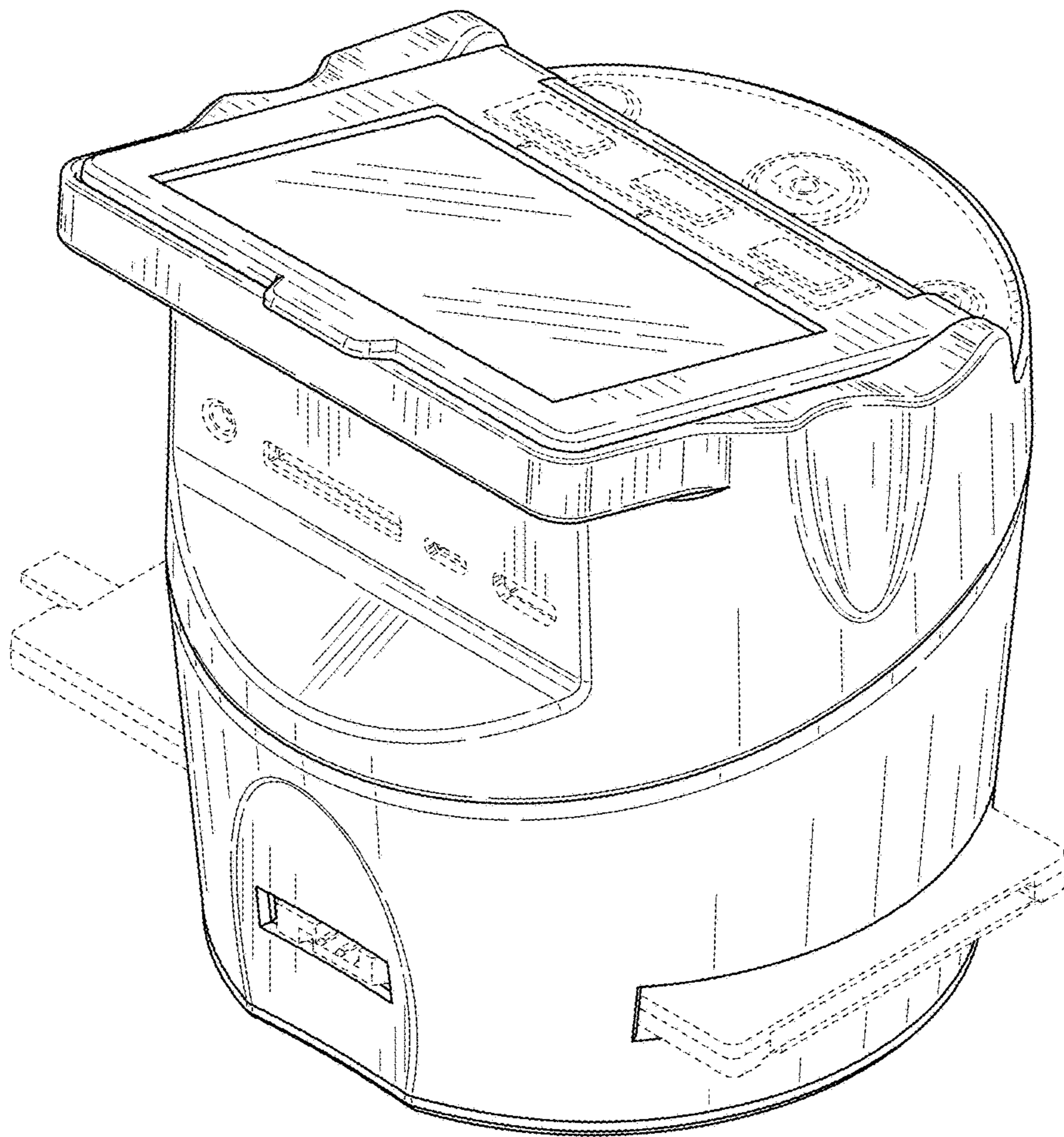


FIG. 22

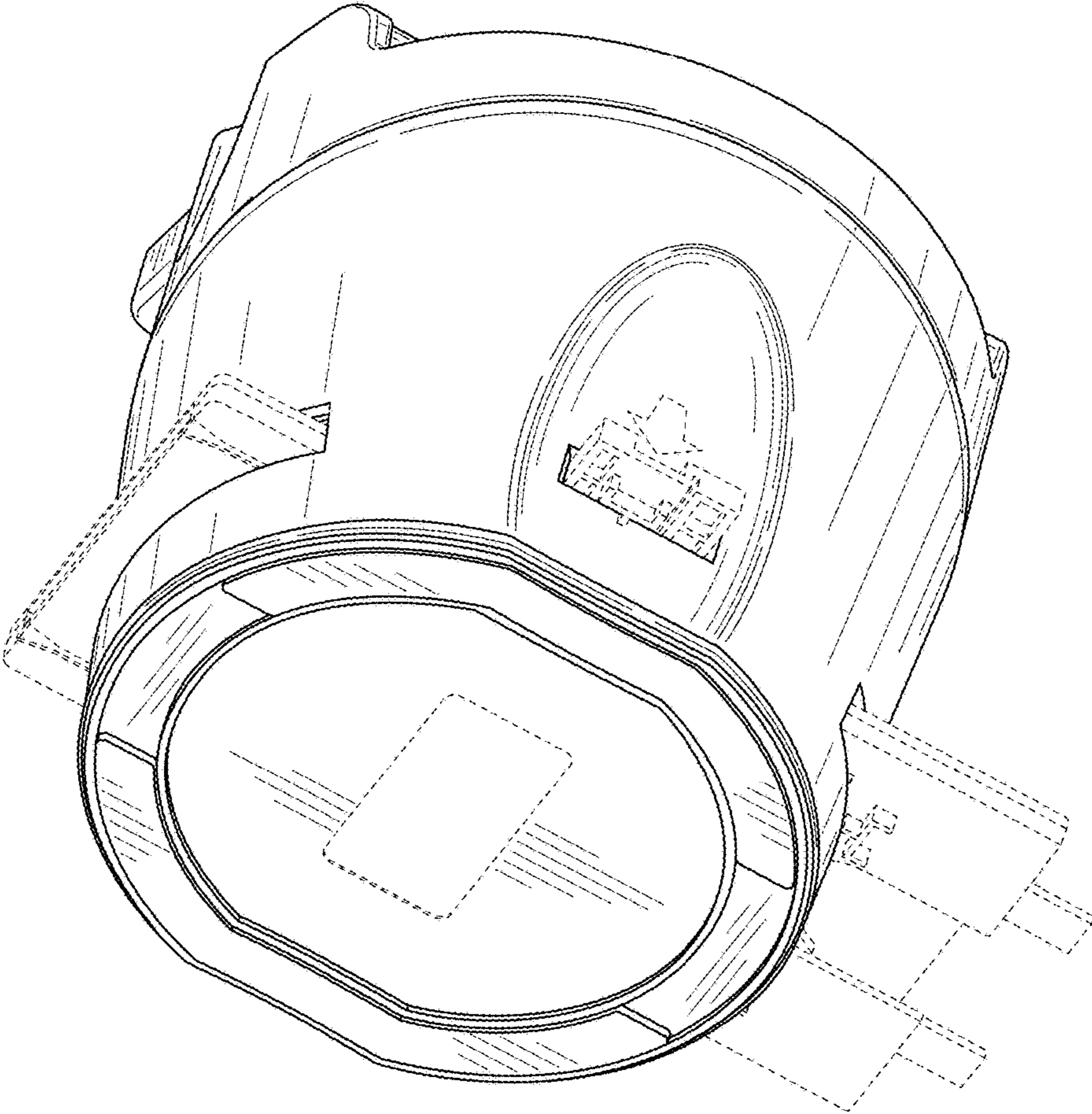


FIG. 23

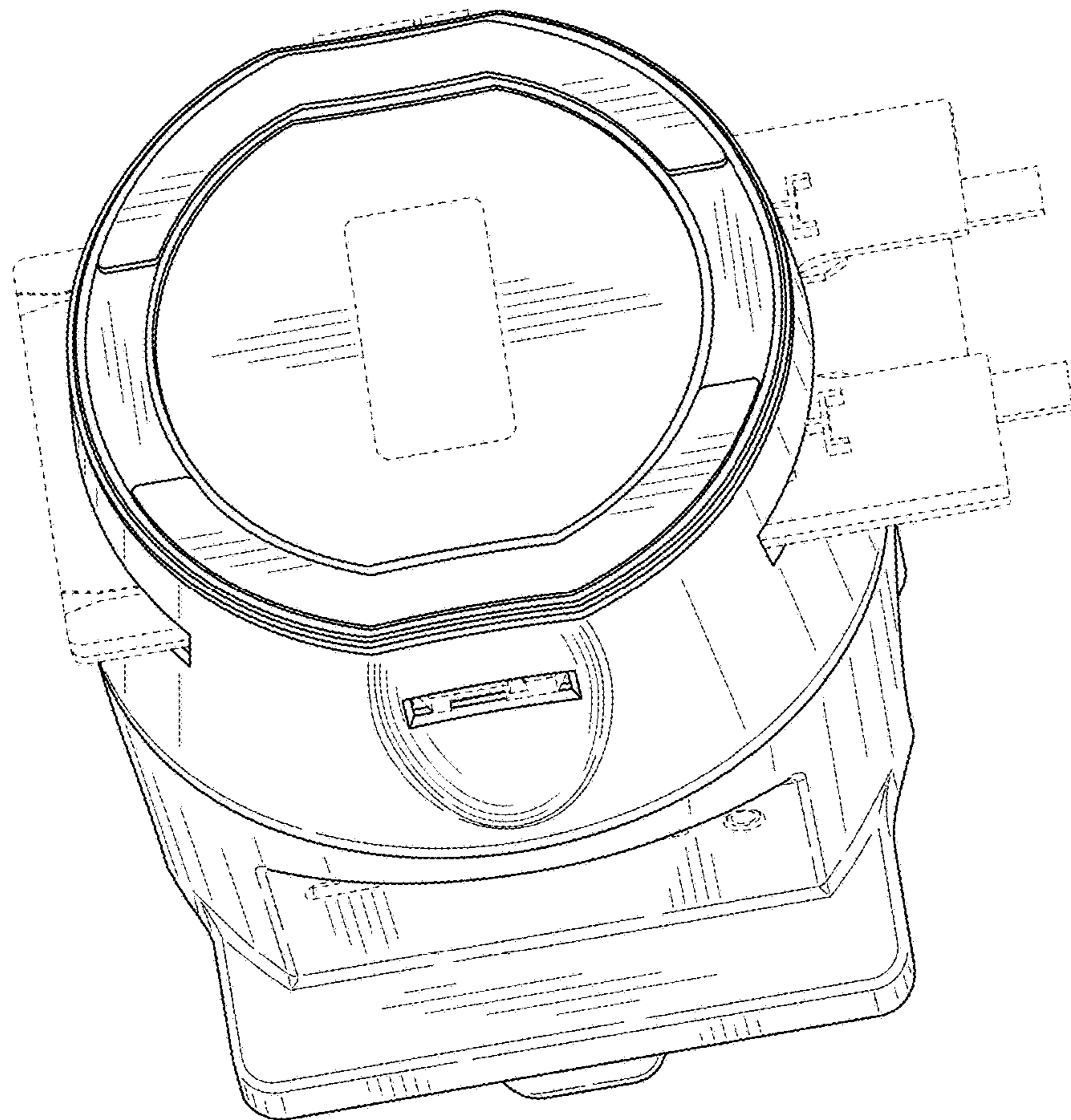


FIG. 24

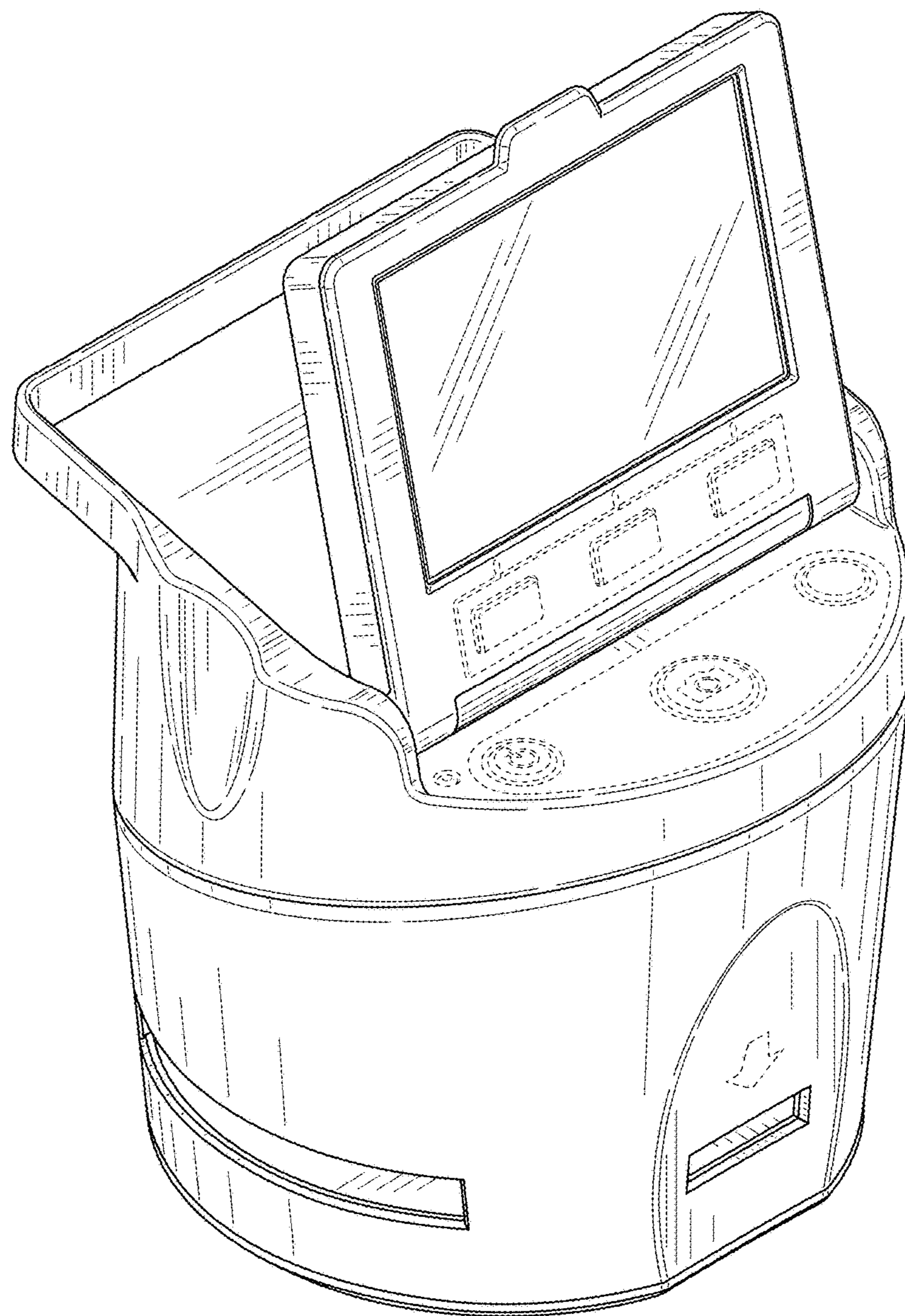


FIG. 25

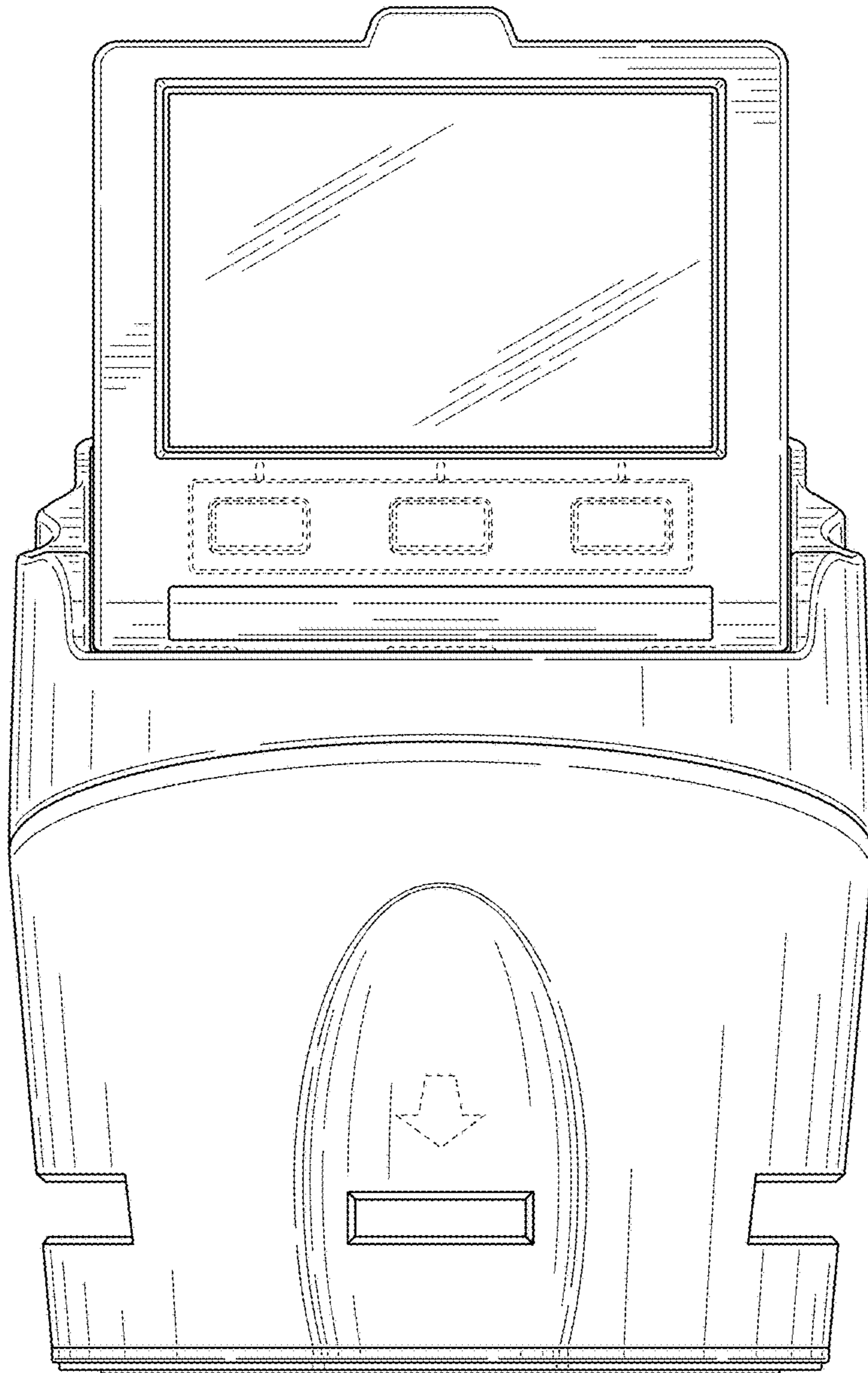


FIG. 26

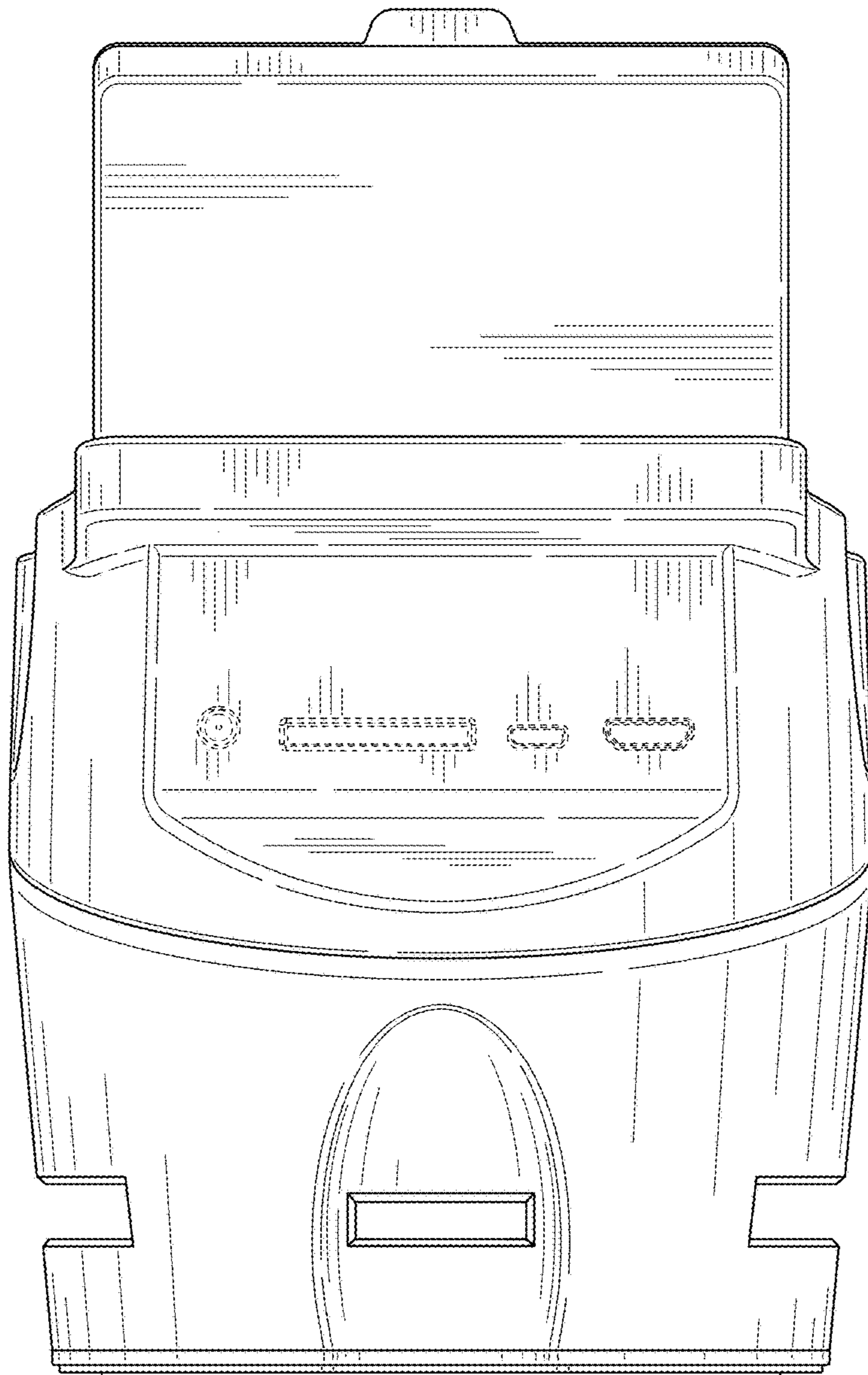


FIG. 27

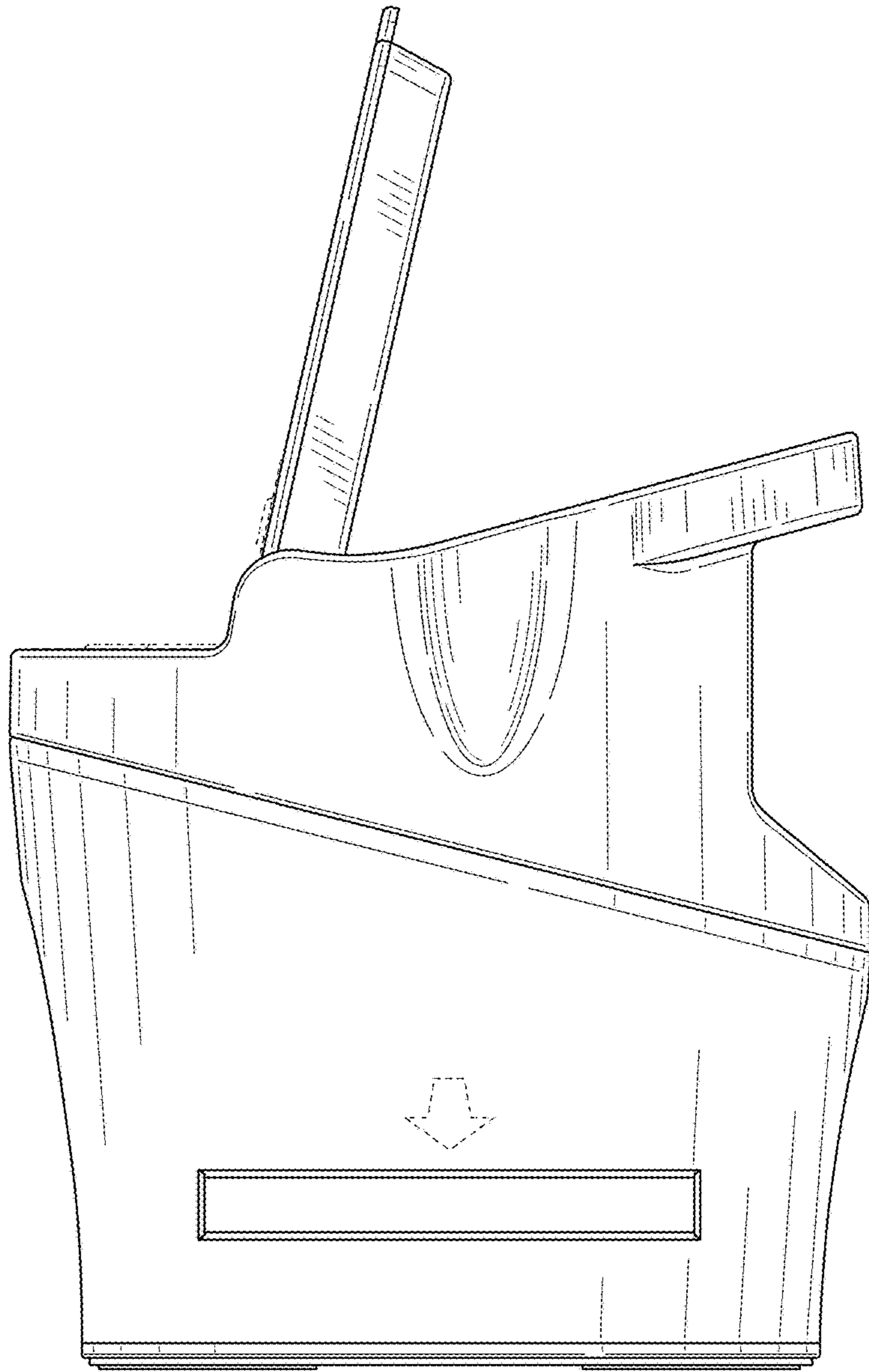


FIG. 28

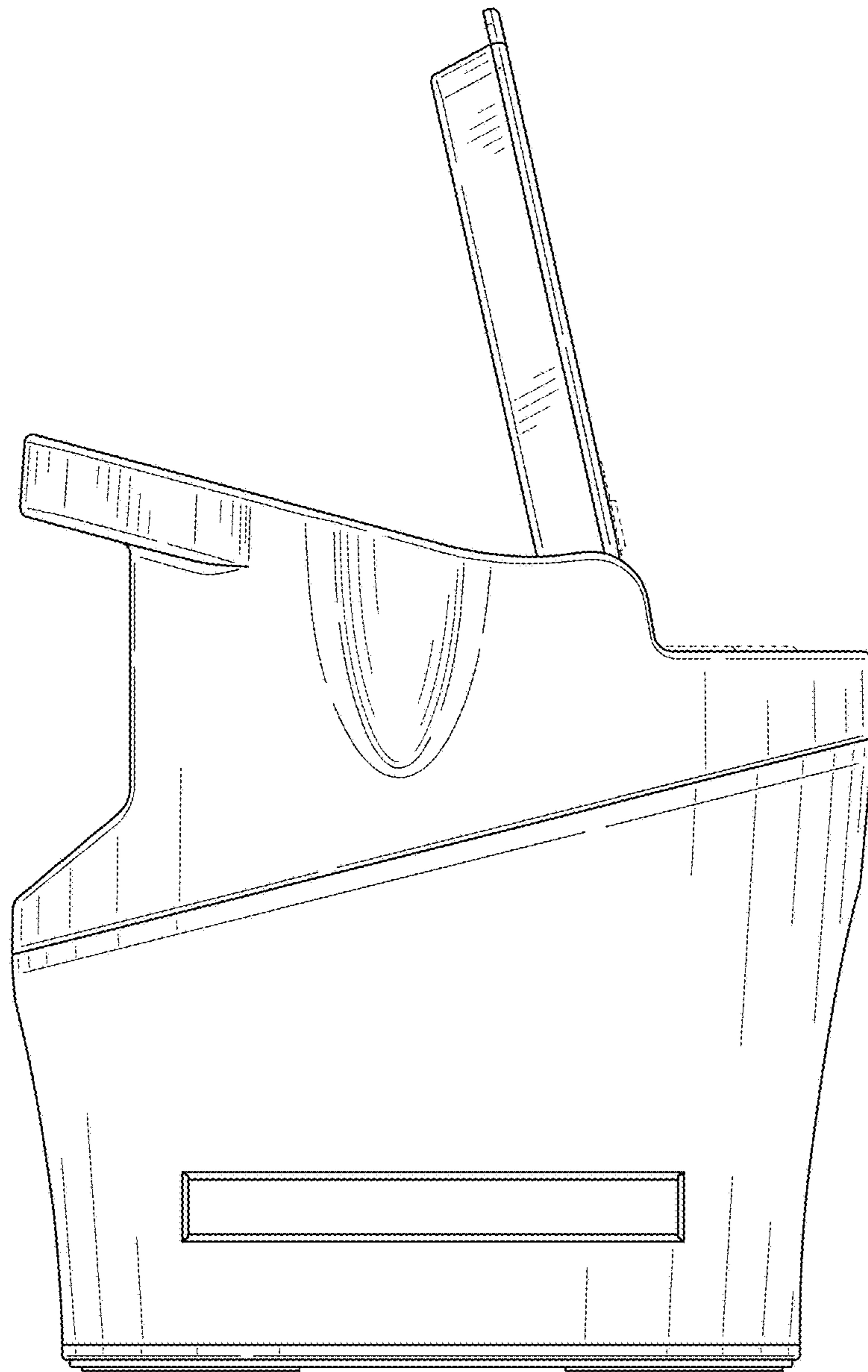


FIG. 29

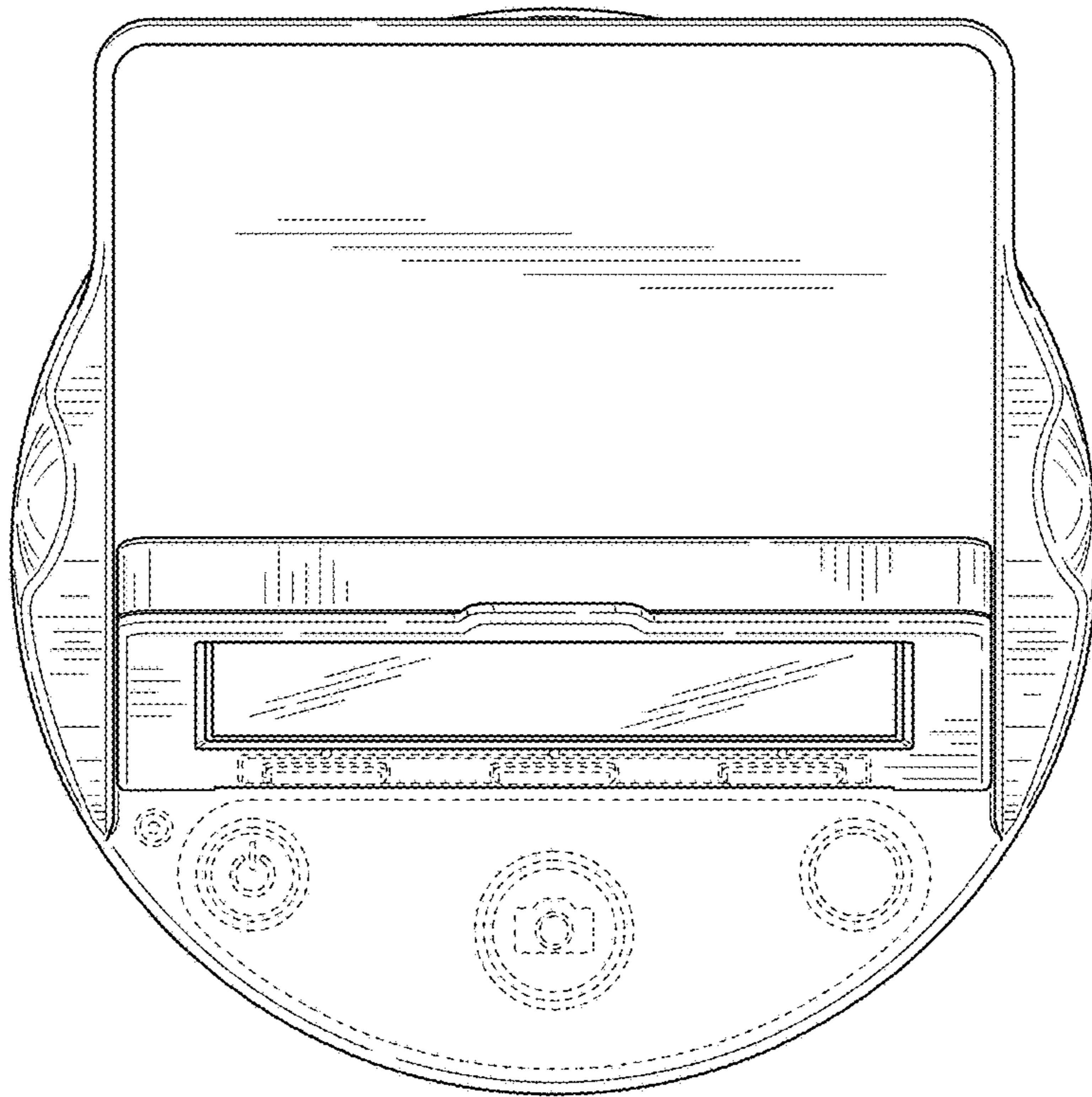


FIG. 30

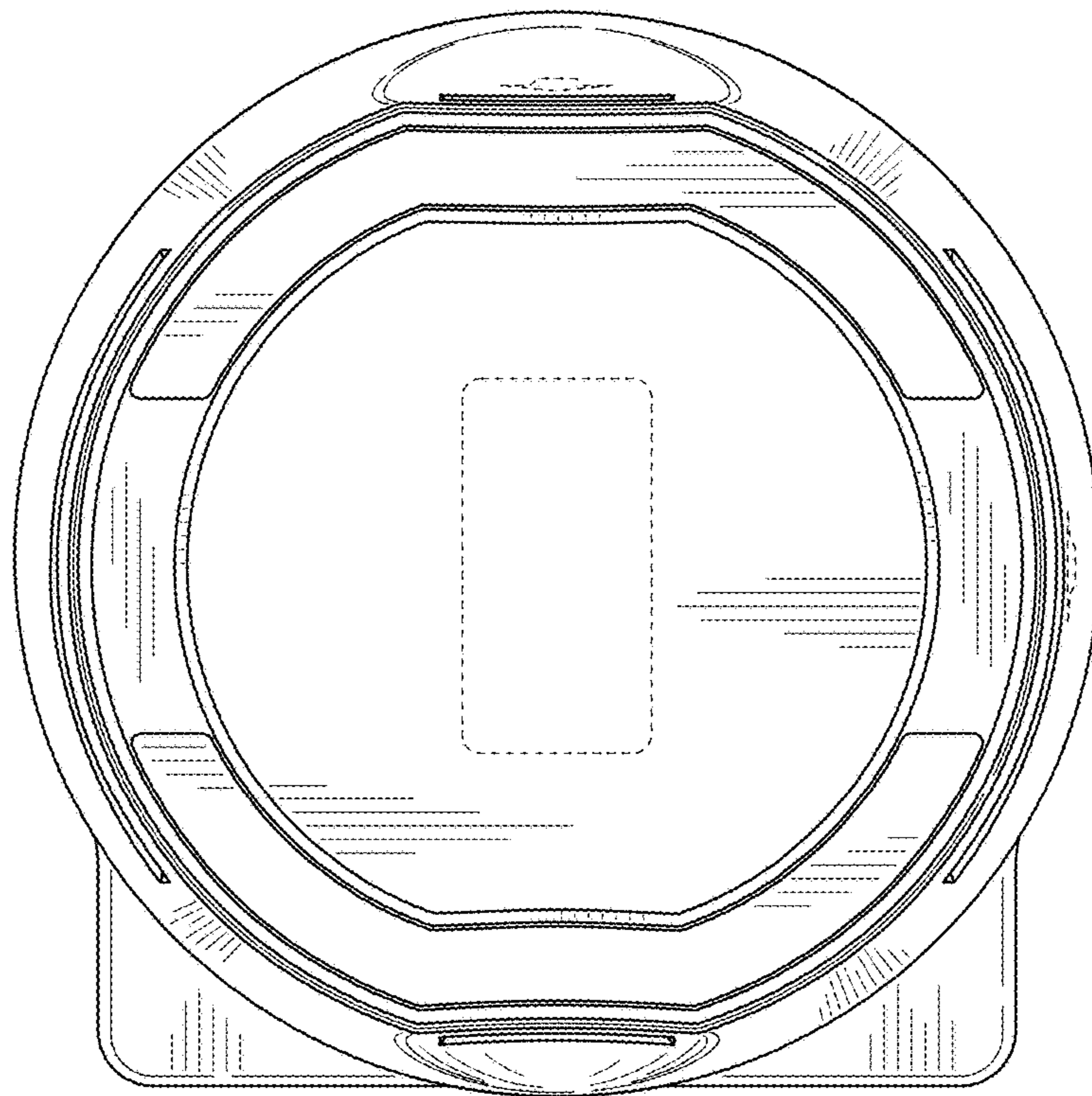


FIG. 31

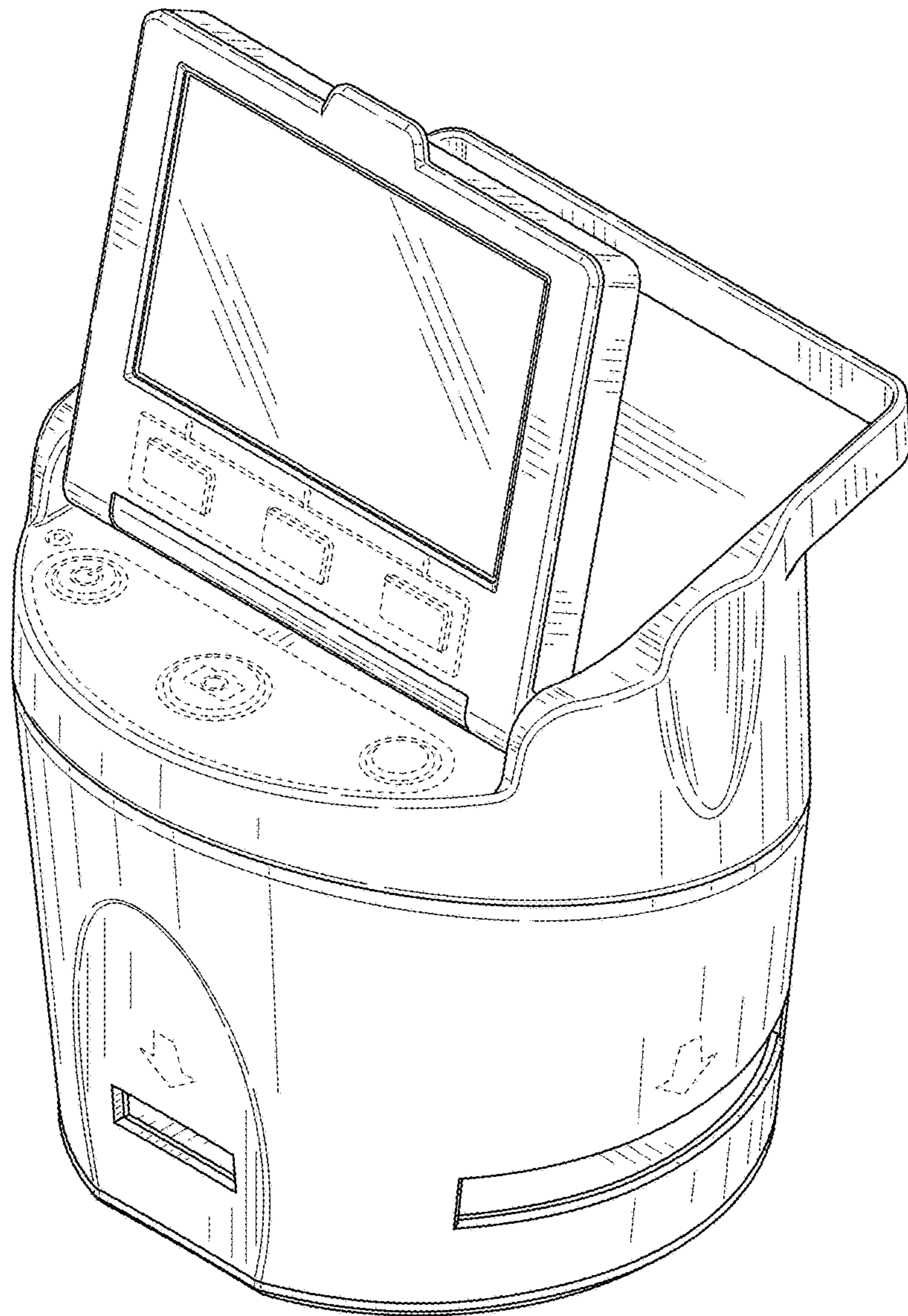


FIG. 32

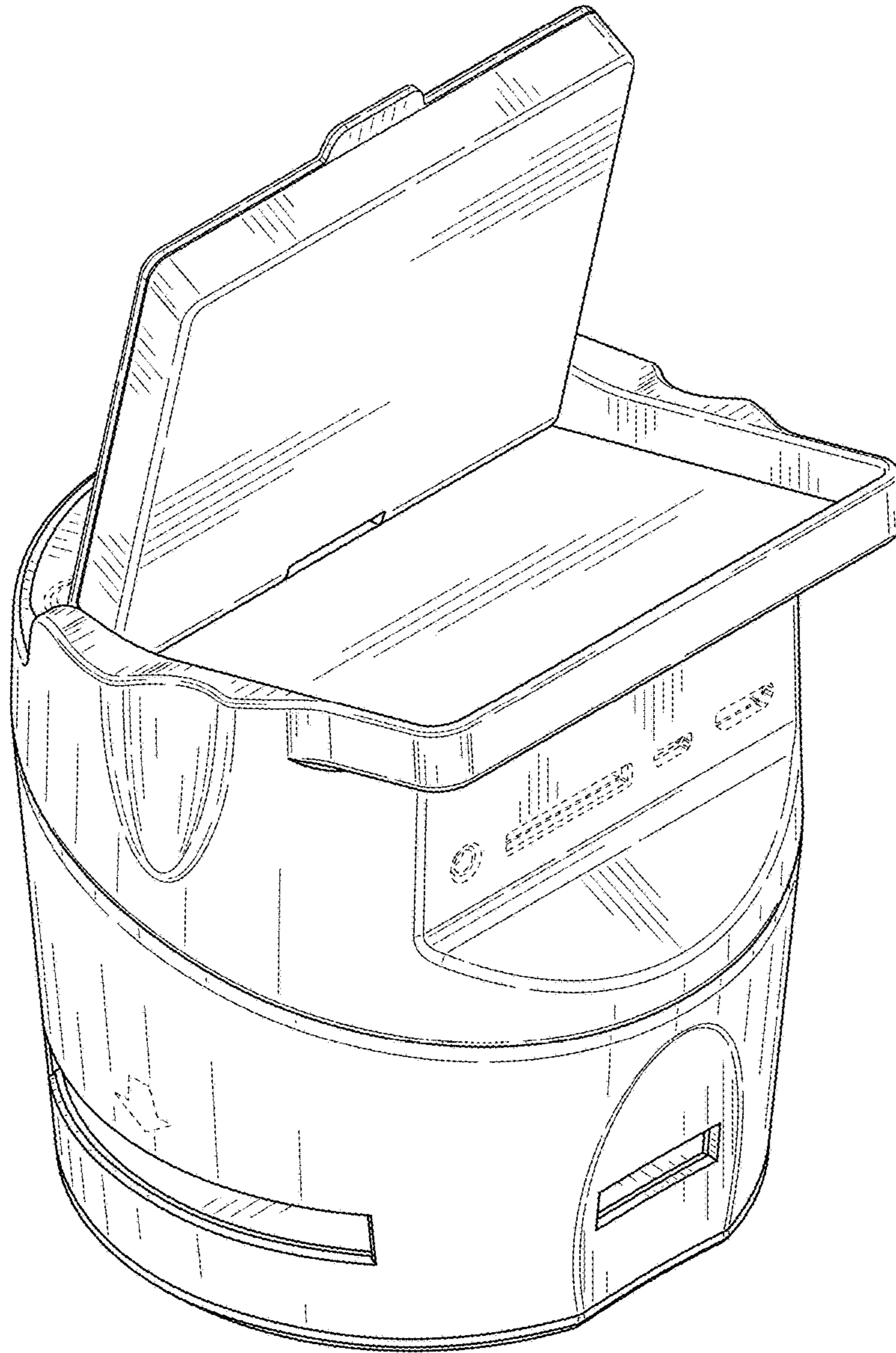


FIG. 33

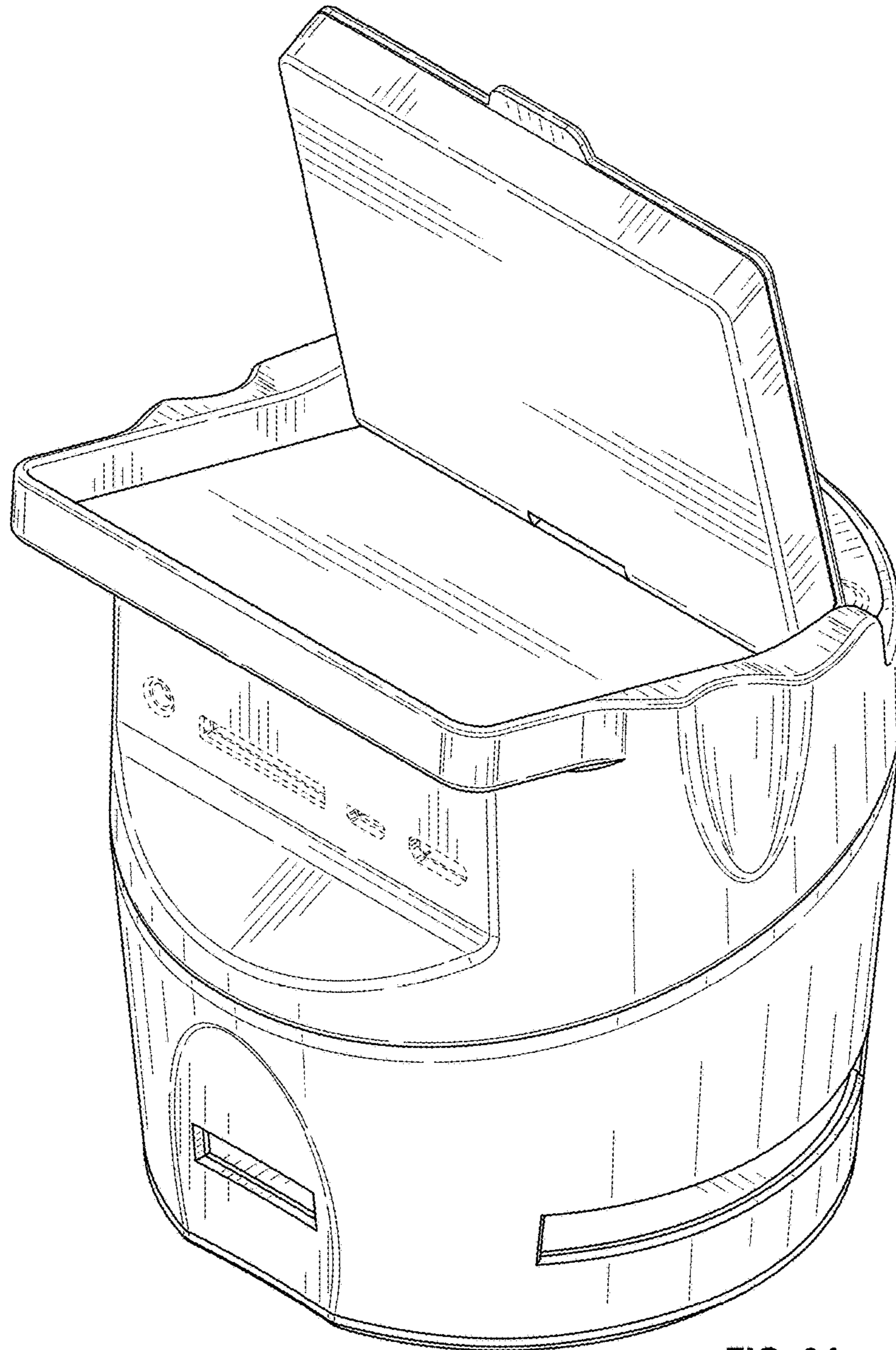


FIG. 34

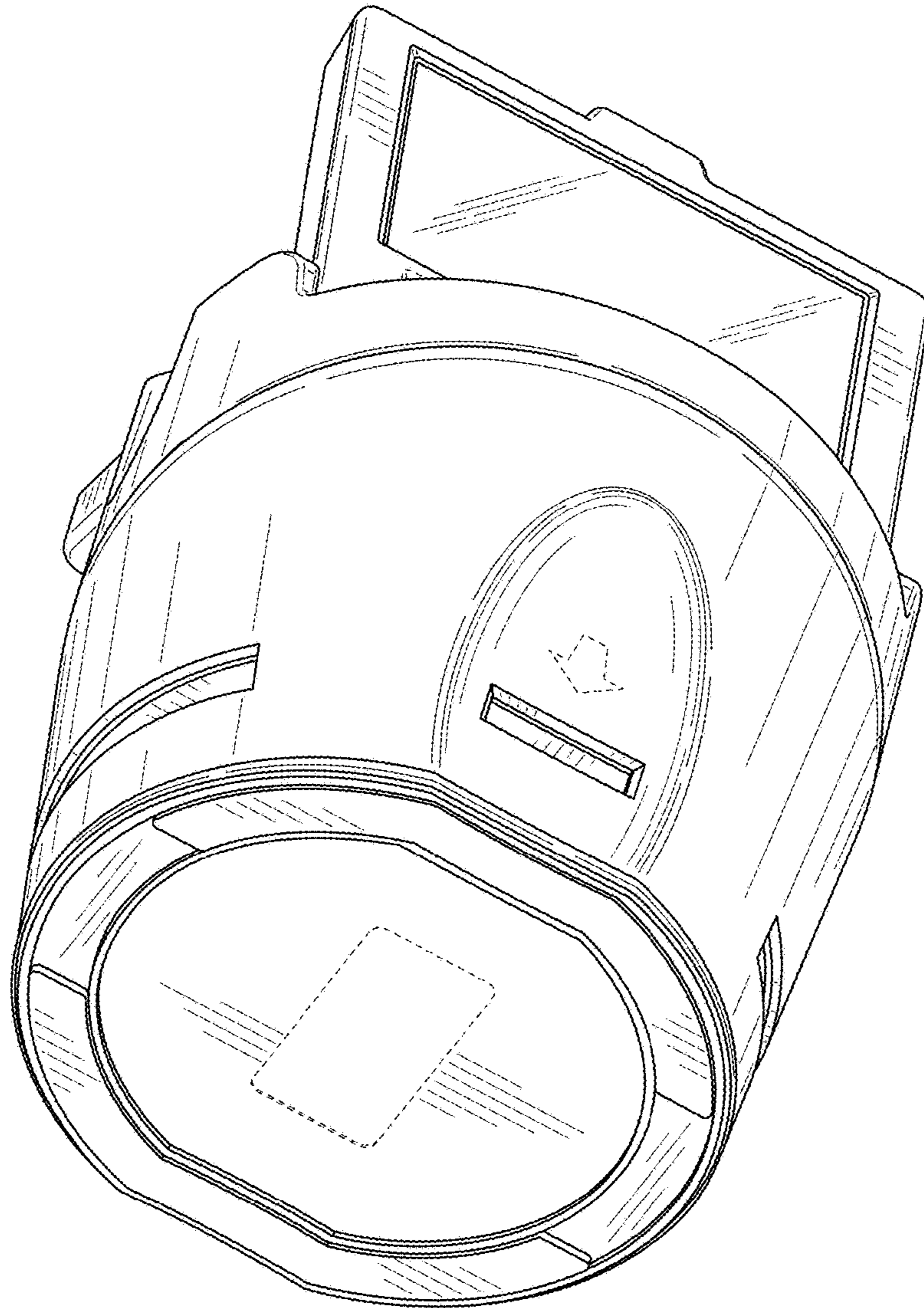


FIG. 35

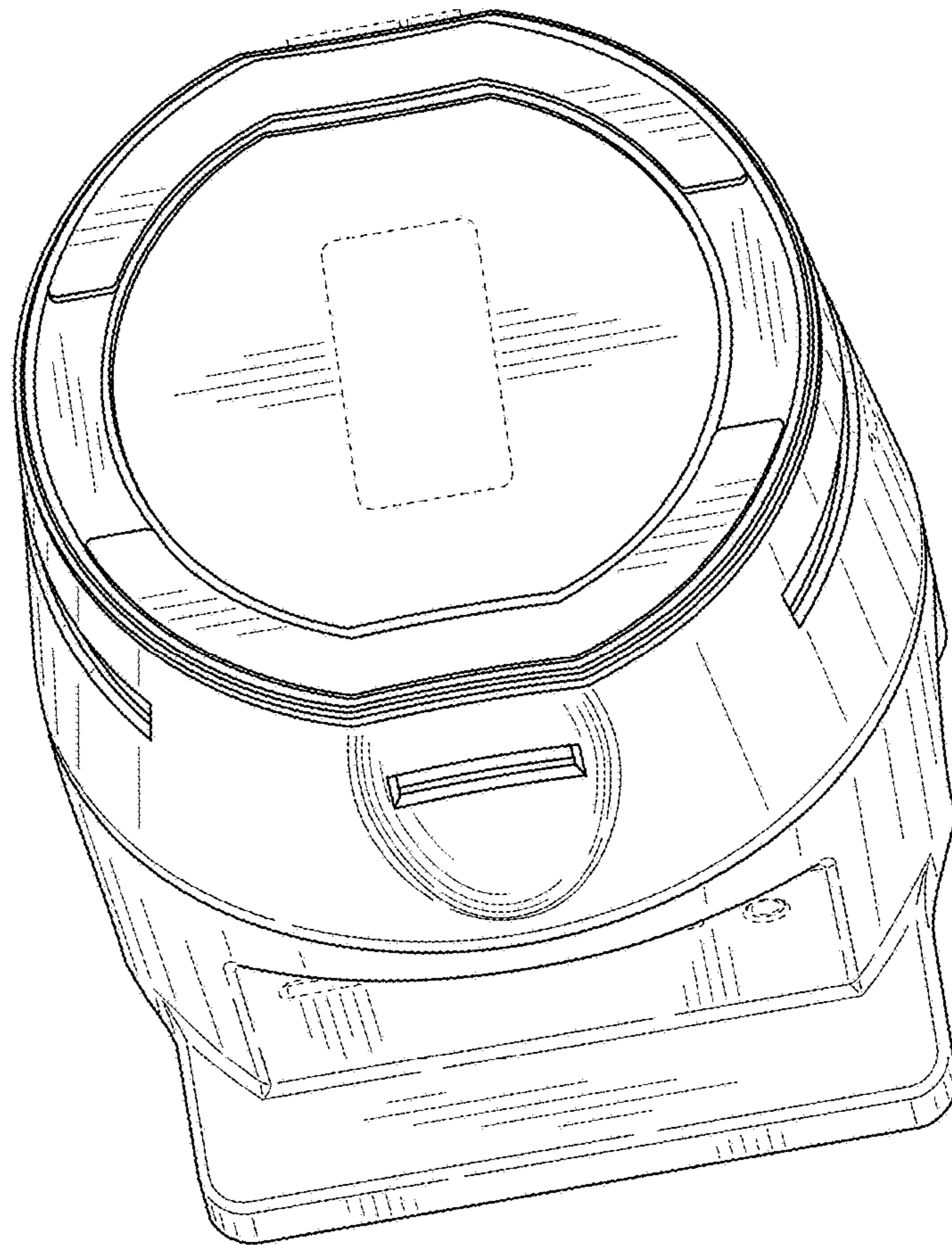


FIG. 36