



US00D847136S

(12) **United States Design Patent**
Tenbrink

(10) **Patent No.:** **US D847,136 S**

(45) **Date of Patent:** **** Apr. 30, 2019**

(54) **VIDEO GAME GUN CONTROLLER**

(71) Applicant: **Carl Tenbrink**, Hungtington Beach, CA
(US)

(72) Inventor: **Carl Tenbrink**, Hungtington Beach, CA
(US)

(73) Assignee: **Steve Kearsley**, Laguna Niguel, CA
(US)

(**) Term: **15 Years**

(21) Appl. No.: **29/611,084**

(22) Filed: **Jul. 18, 2017**

(51) **LOC (11) Cl.** **21-01**

(52) **U.S. Cl.**
USPC **D14/418**; D21/333; D21/574; D22/104

(58) **Field of Classification Search**
USPC D14/400–418, 426–431, 454–455, 203.3,
D14/218, 300, 356, 383, 388, 399, 432,
D14/358; D21/331, 333, 566, 572–574,
D21/324, 328; D22/100, 103–105;
D13/162, 162.1, 168; D10/78, 98, 103
CPC .. A63F 9/02; A63F 9/24; A63F 9/0291; A63F
9/0252; A63F 13/00; A63H 5/04; F41J
5/02

See application file for complete search history.

(56) **References Cited**

U.S. PATENT DOCUMENTS

D398,661 S *	9/1998	Lee	D21/333
D449,354 S *	10/2001	Hornsby	D21/574
D458,652 S *	6/2002	Chan	D21/574
D508,277 S *	8/2005	Cerovic	D21/574
D521,568 S *	5/2006	Hussaini	D14/418
D678,452 S *	3/2013	Baldwin	D22/103
D692,508 S *	10/2013	Pearce	D21/574

8,550,916 B2 *	10/2013	Raynal	A63F 13/235 463/39
D702,794 S *	4/2014	Chow	D22/104
D706,383 S *	6/2014	Ben-Yair	D22/117
D734,826 S *	7/2015	Chow	D22/104
9,297,614 B2 *	3/2016	Moore	F41G 1/35
D754,796 S *	4/2016	Sakai	D14/418
D829,292 S *	9/2018	Ribelin	D22/104

* cited by examiner

Primary Examiner — Jeffrey D Asch

Assistant Examiner — Rebekah A Caruso

(74) *Attorney, Agent, or Firm* — Quickpatents, LLC;
Kevin Prince

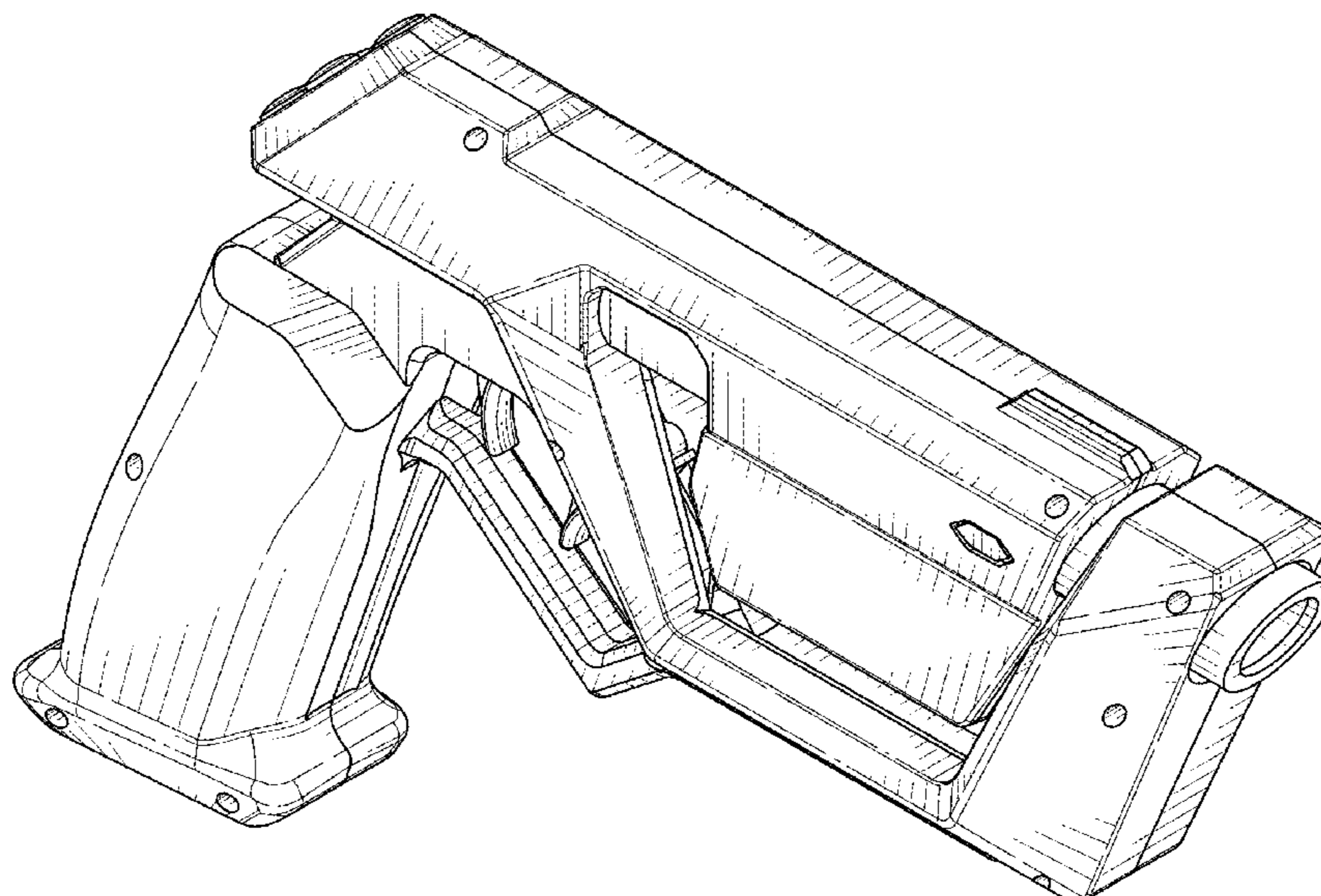
(57) **CLAIM**

I claim the ornamental design for a video game gun controller, as shown and described.

DESCRIPTION

FIG. 1 is a front perspective view of a video game gun controller, showing a first embodiment of my new design; FIG. 2 is a rear perspective view of FIG. 1; FIG. 3 is a front elevational view of FIG. 1; FIG. 4 is a rear elevational view of FIG. 1; FIG. 5 is a left-side elevational view of FIG. 1; FIG. 6 is a right side elevational view of FIG. 1; FIG. 7 is a top plan view of FIG. 1; FIG. 8 is a bottom plan view of FIG. 1; FIG. 9 is a front perspective view of a second embodiment thereof; FIG. 10 is a rear perspective view of FIG. 9; FIG. 11 is a front elevational view of FIG. 9; FIG. 12 is a rear elevational view of FIG. 9; FIG. 13 is a left-side elevational view of FIG. 9; FIG. 14 is a right side elevational view of FIG. 9; FIG. 15 is a top plan view of FIG. 9; and, FIG. 16 is a bottom plan view of FIG. 9.

1 Claim, 12 Drawing Sheets



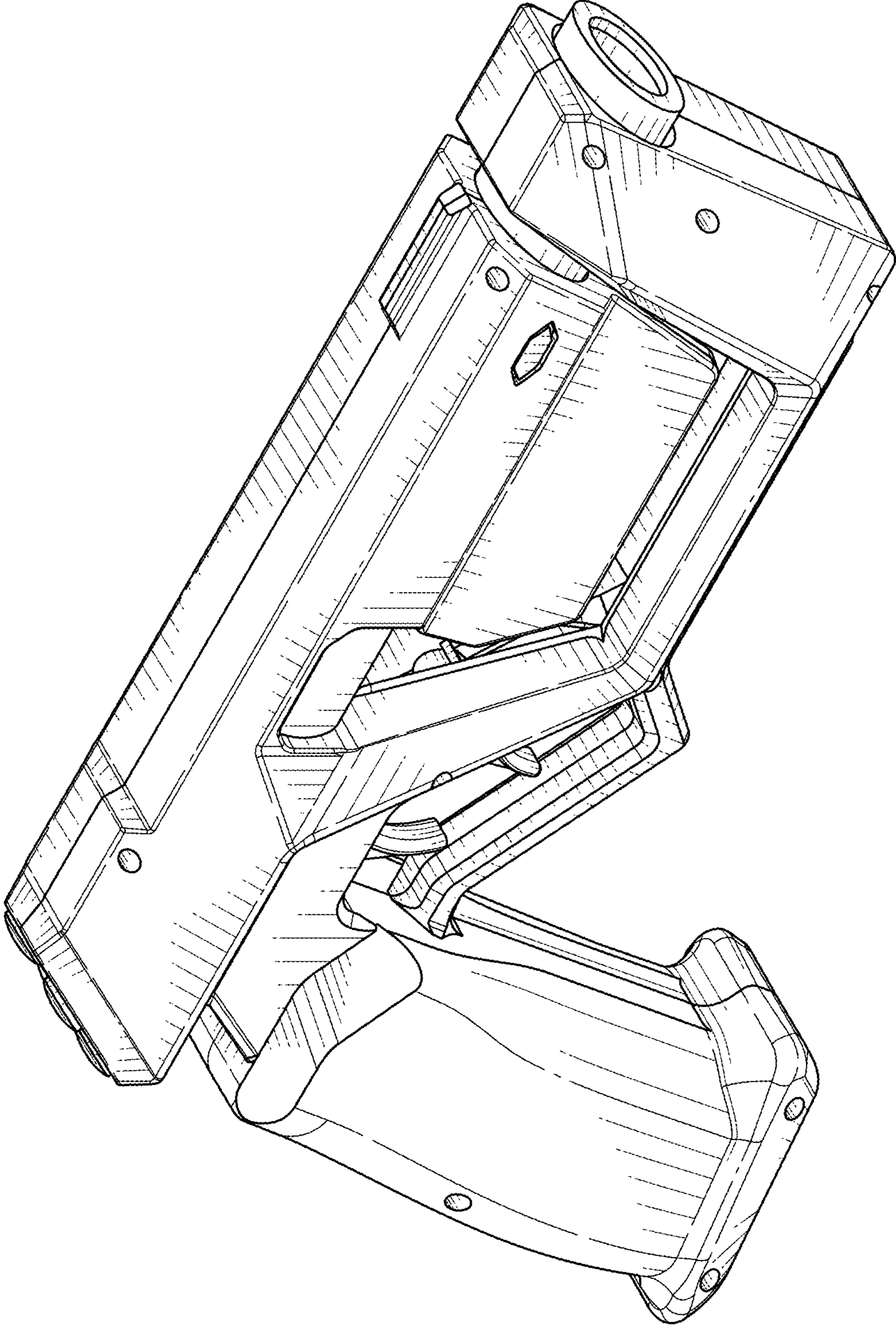


FIG. 1

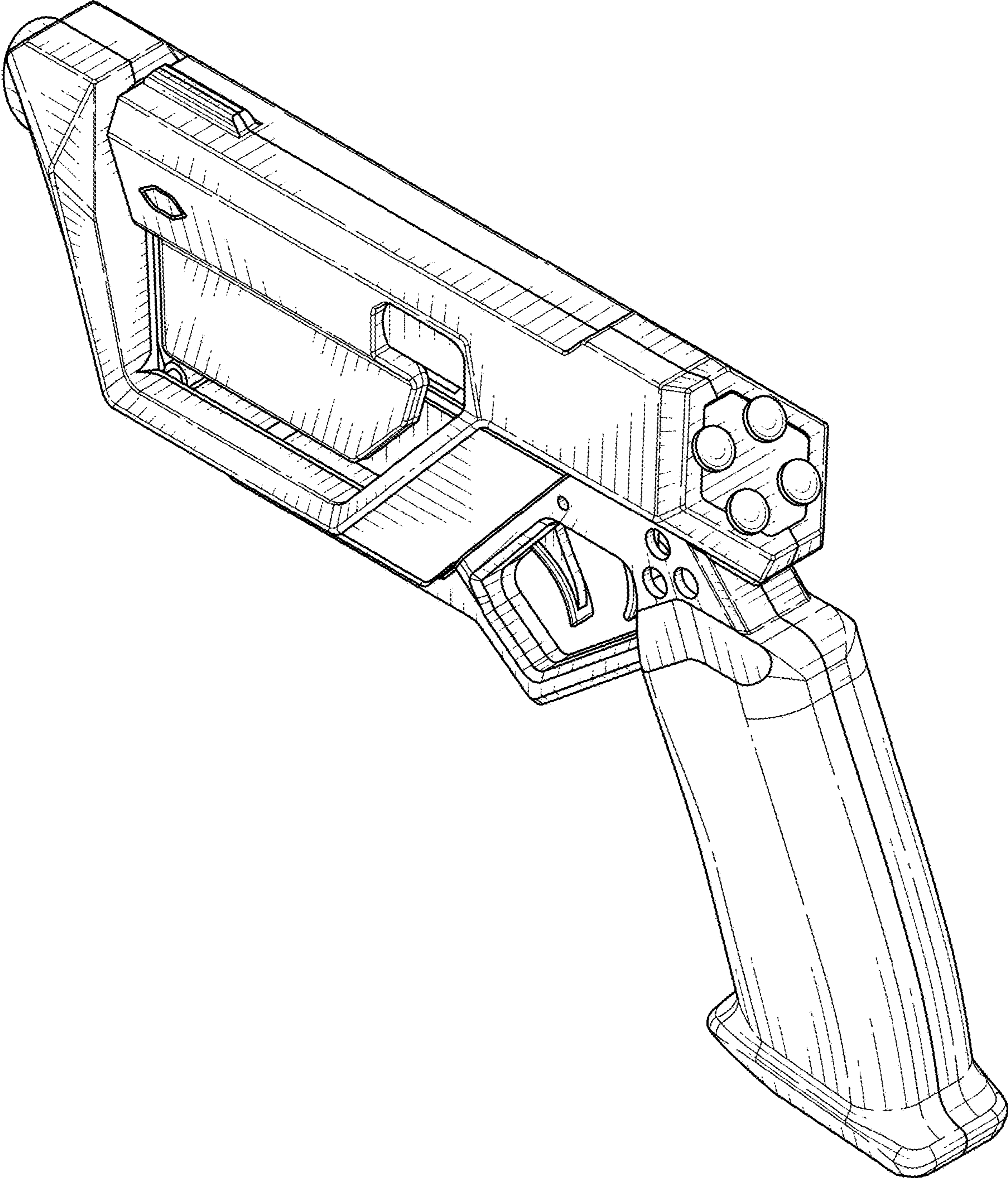


FIG. 2

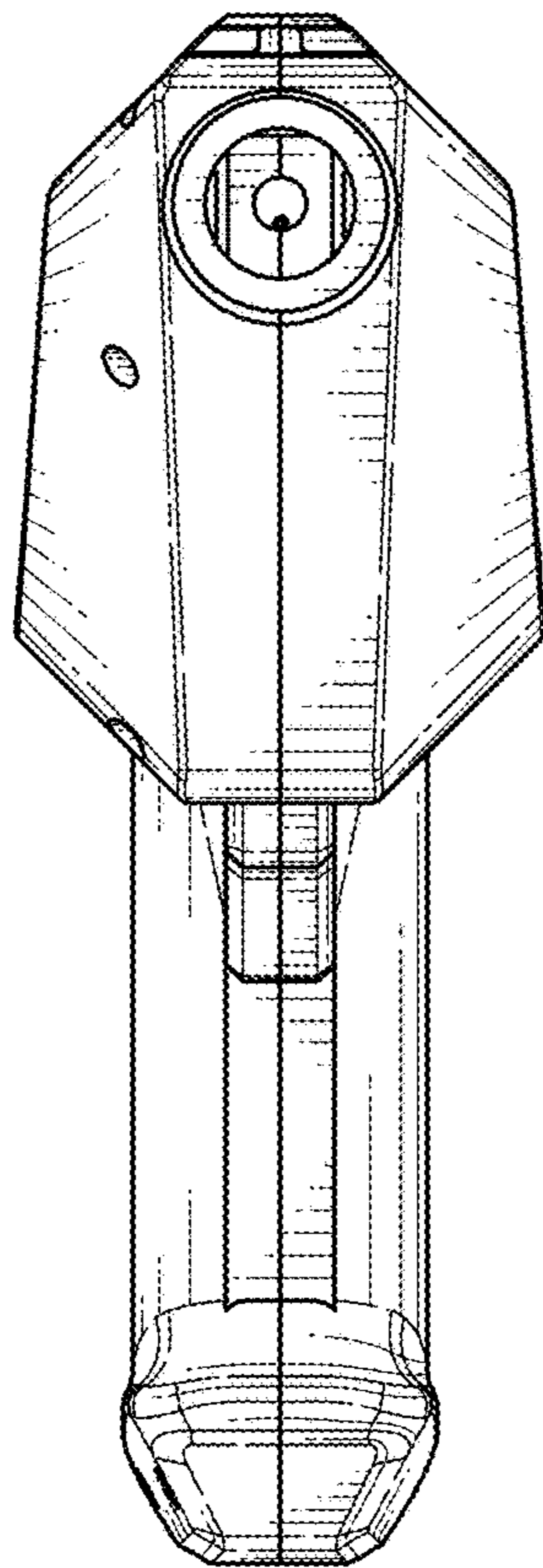


FIG. 3

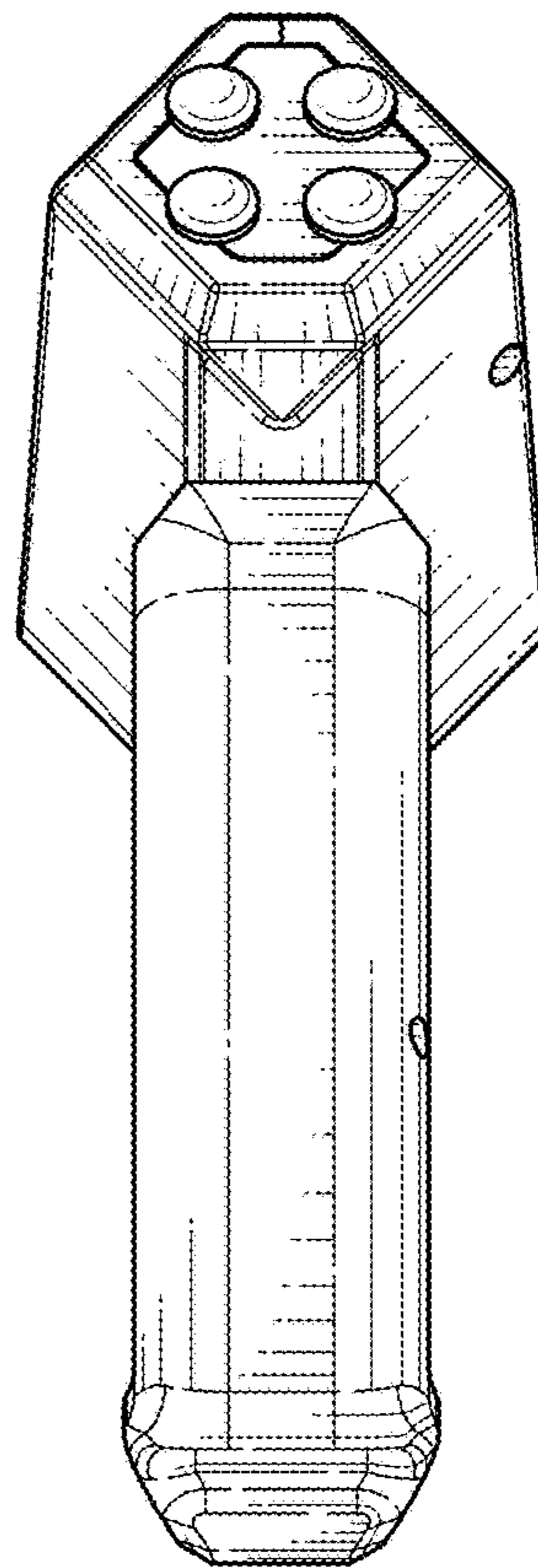


FIG. 4

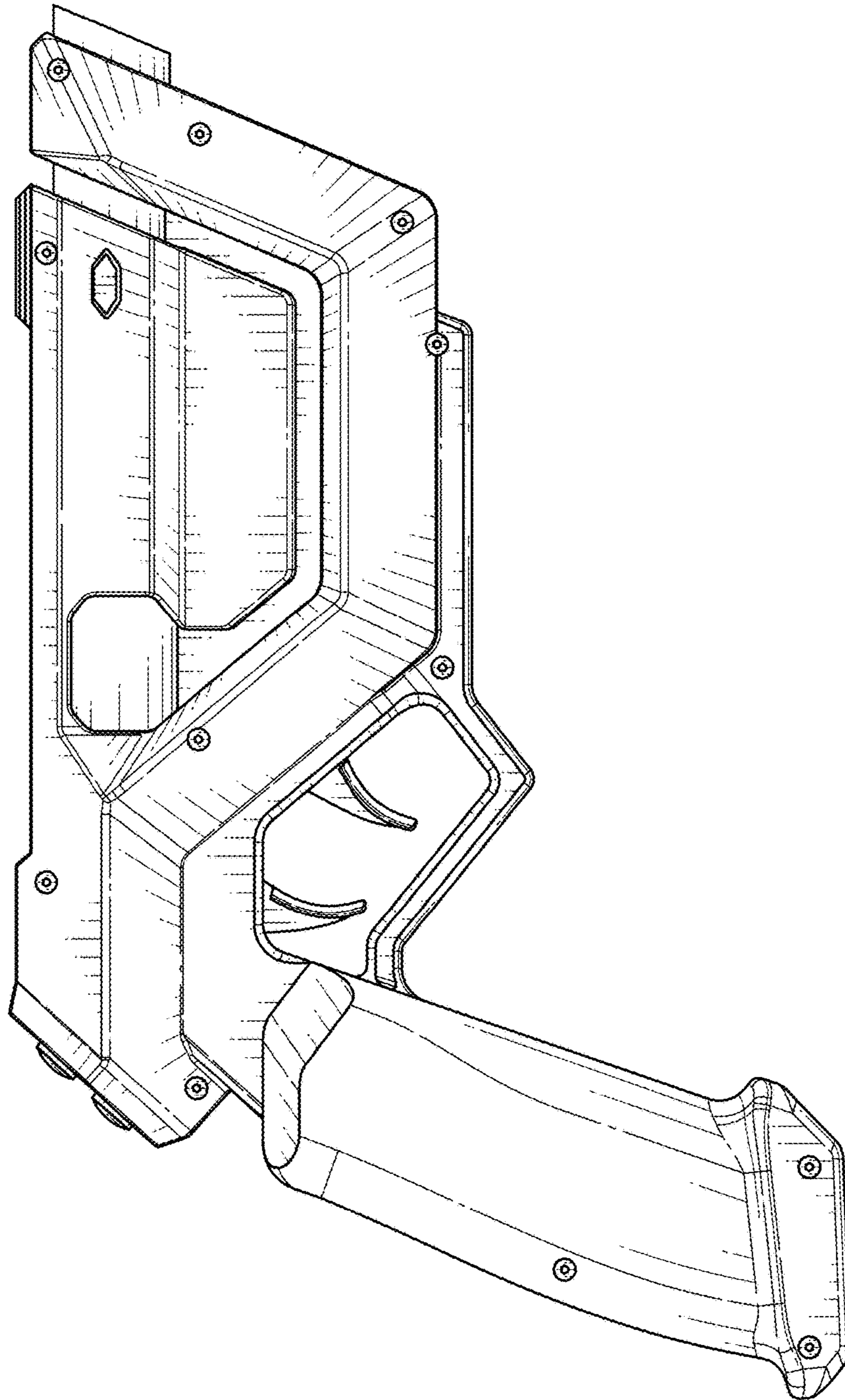


FIG. 5

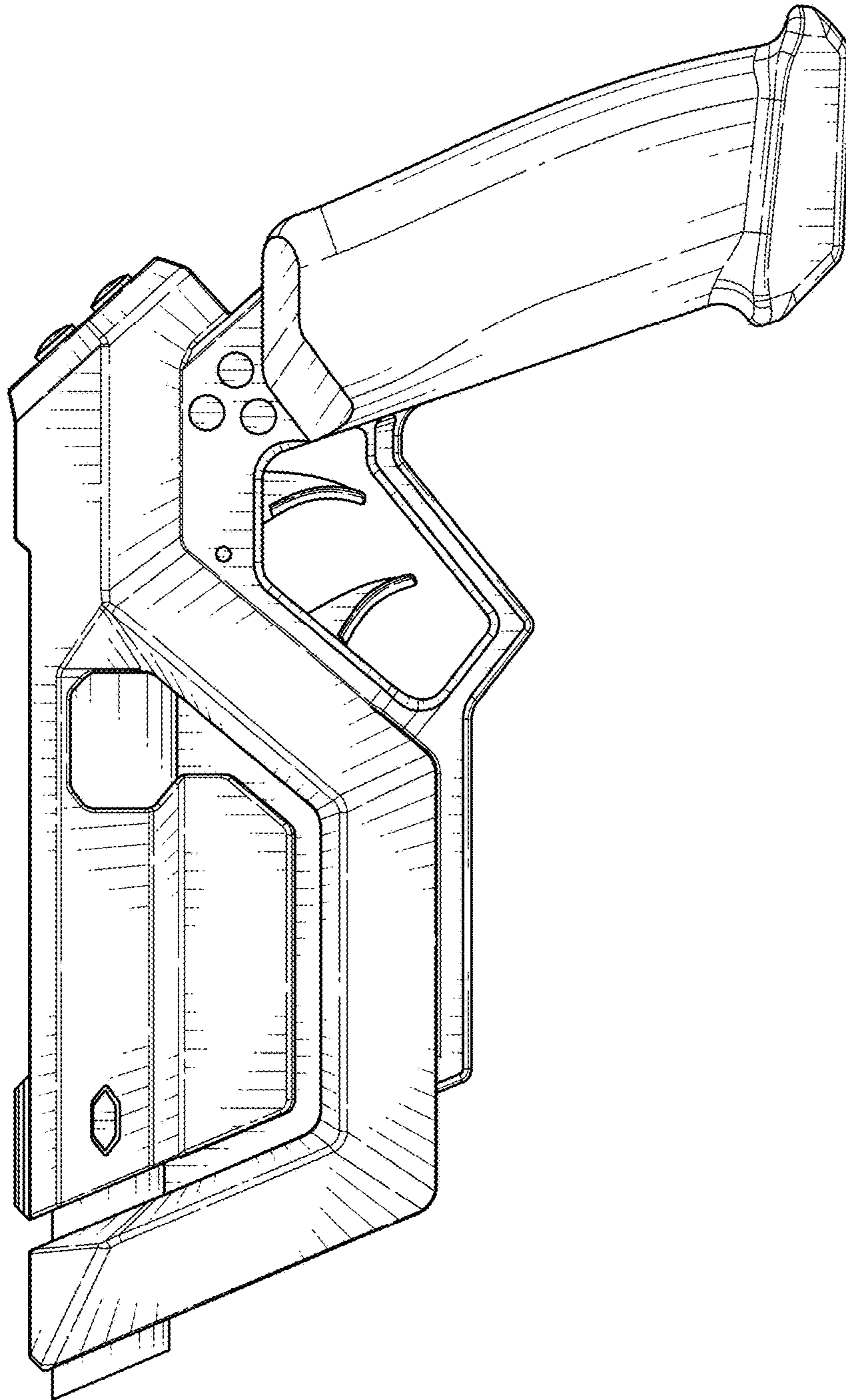


FIG. 6

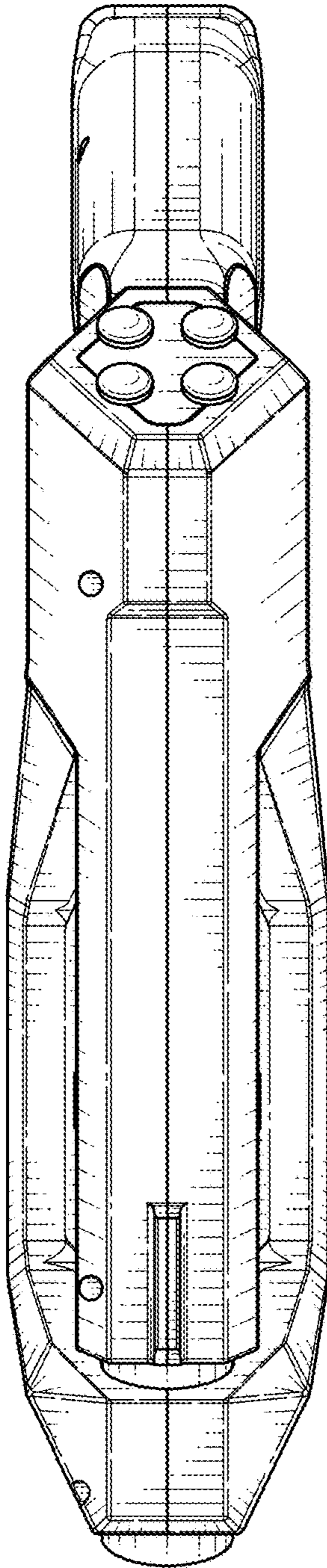


FIG. 7

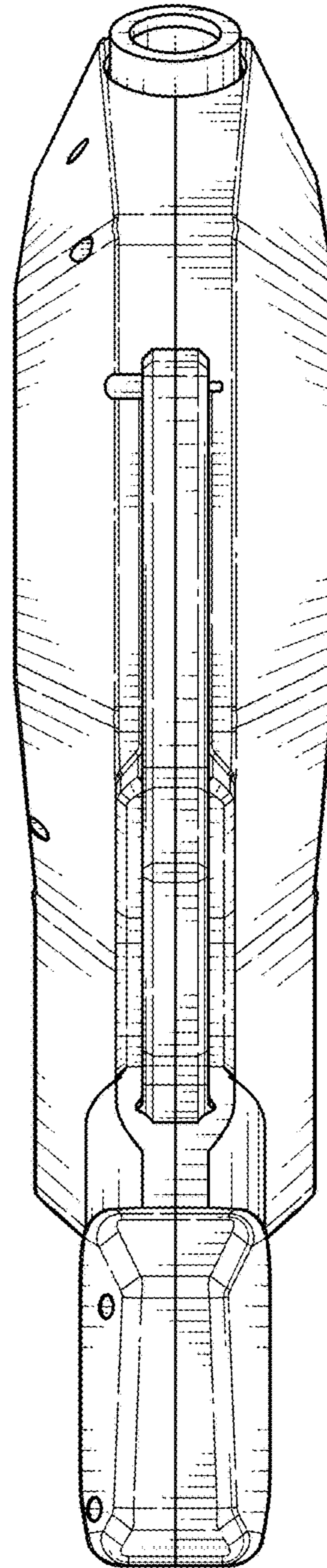


FIG. 8

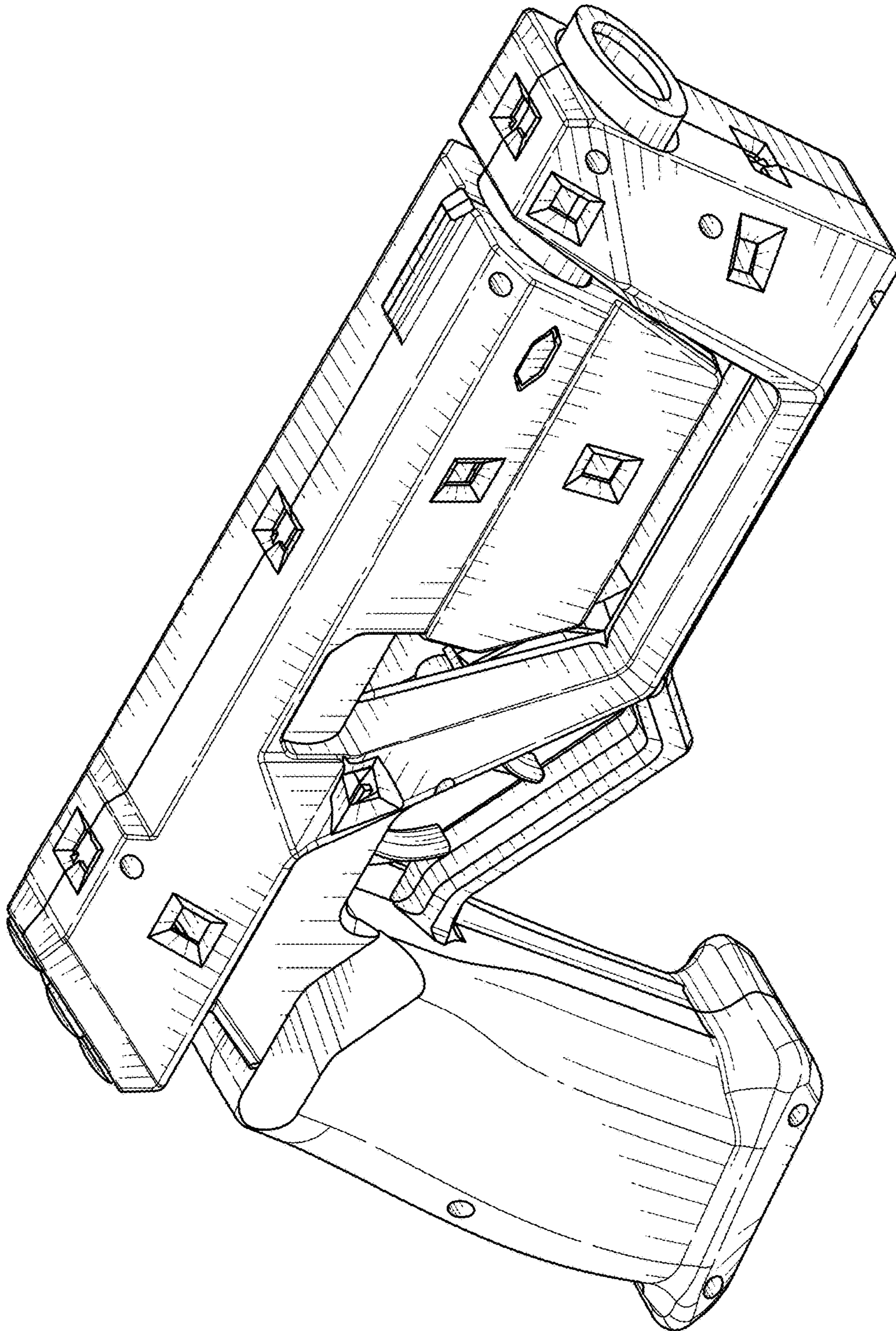


FIG. 9



FIG. 10

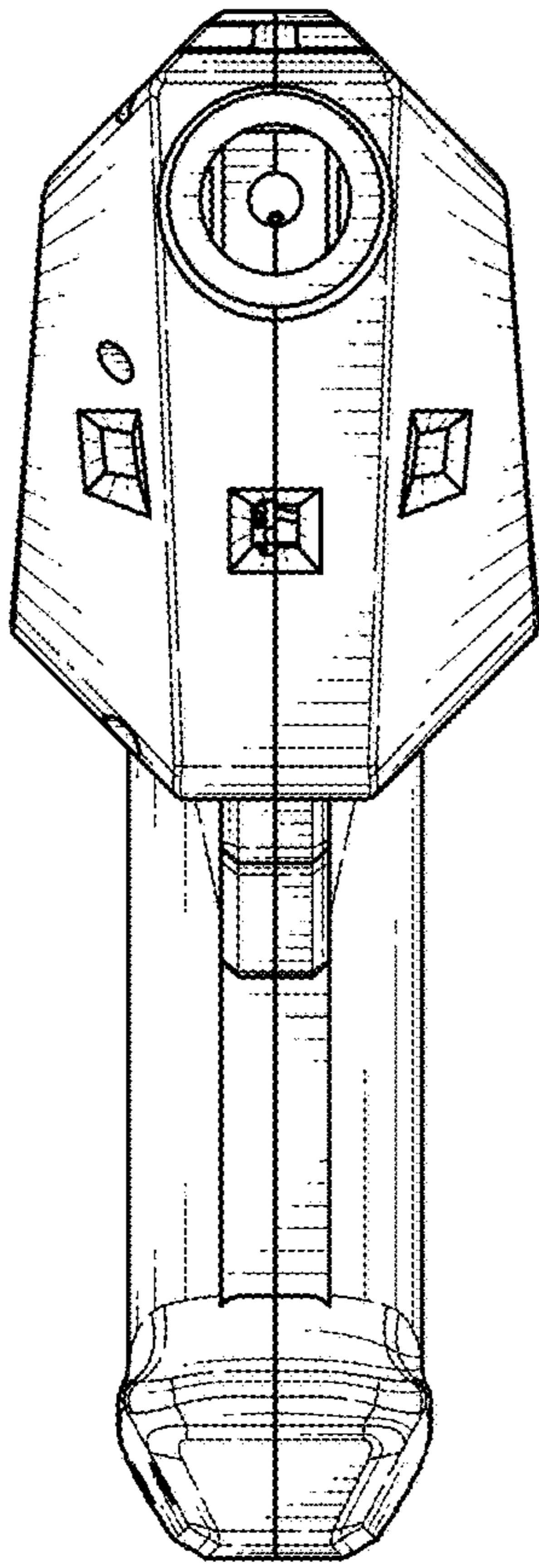


FIG. 11

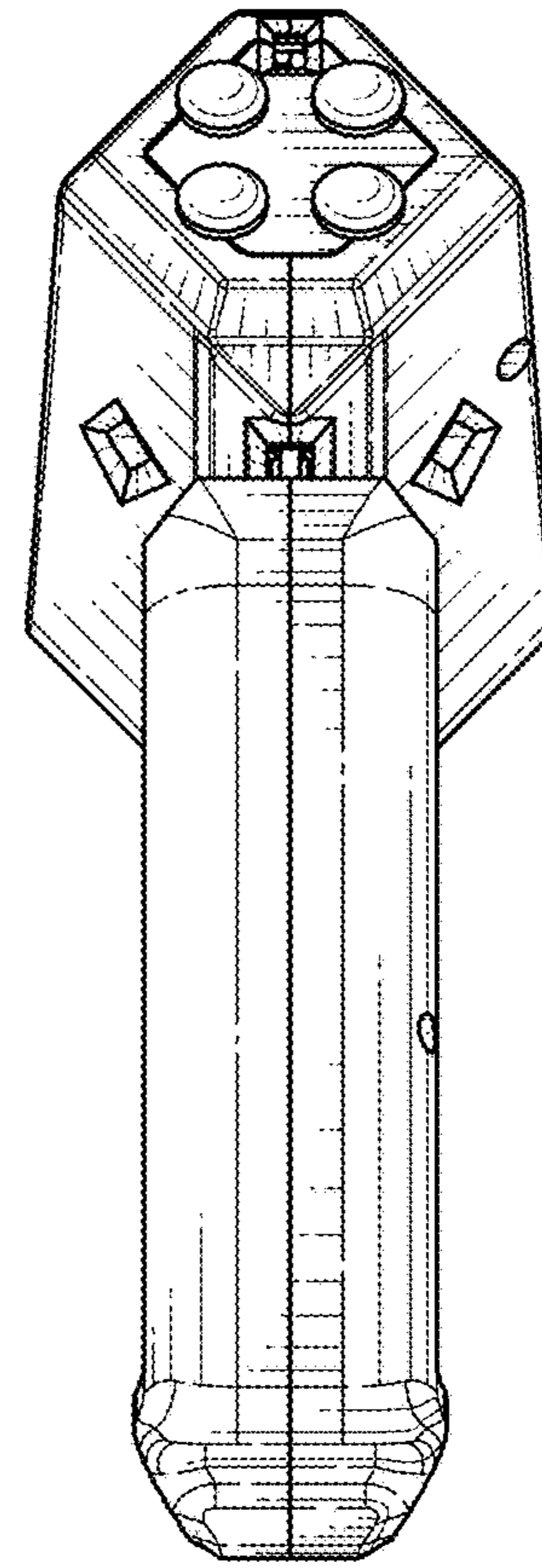


FIG. 12

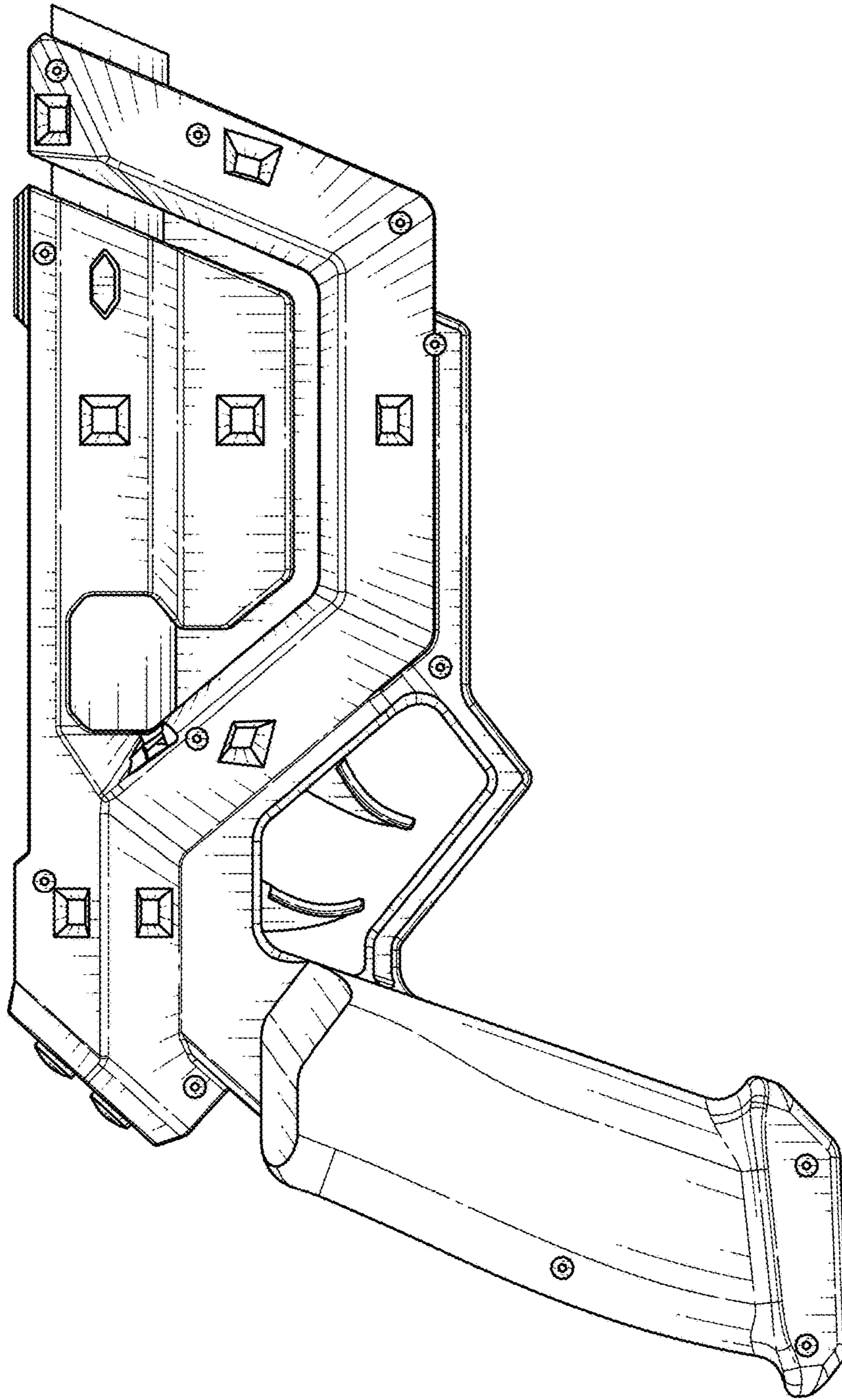


FIG. 13

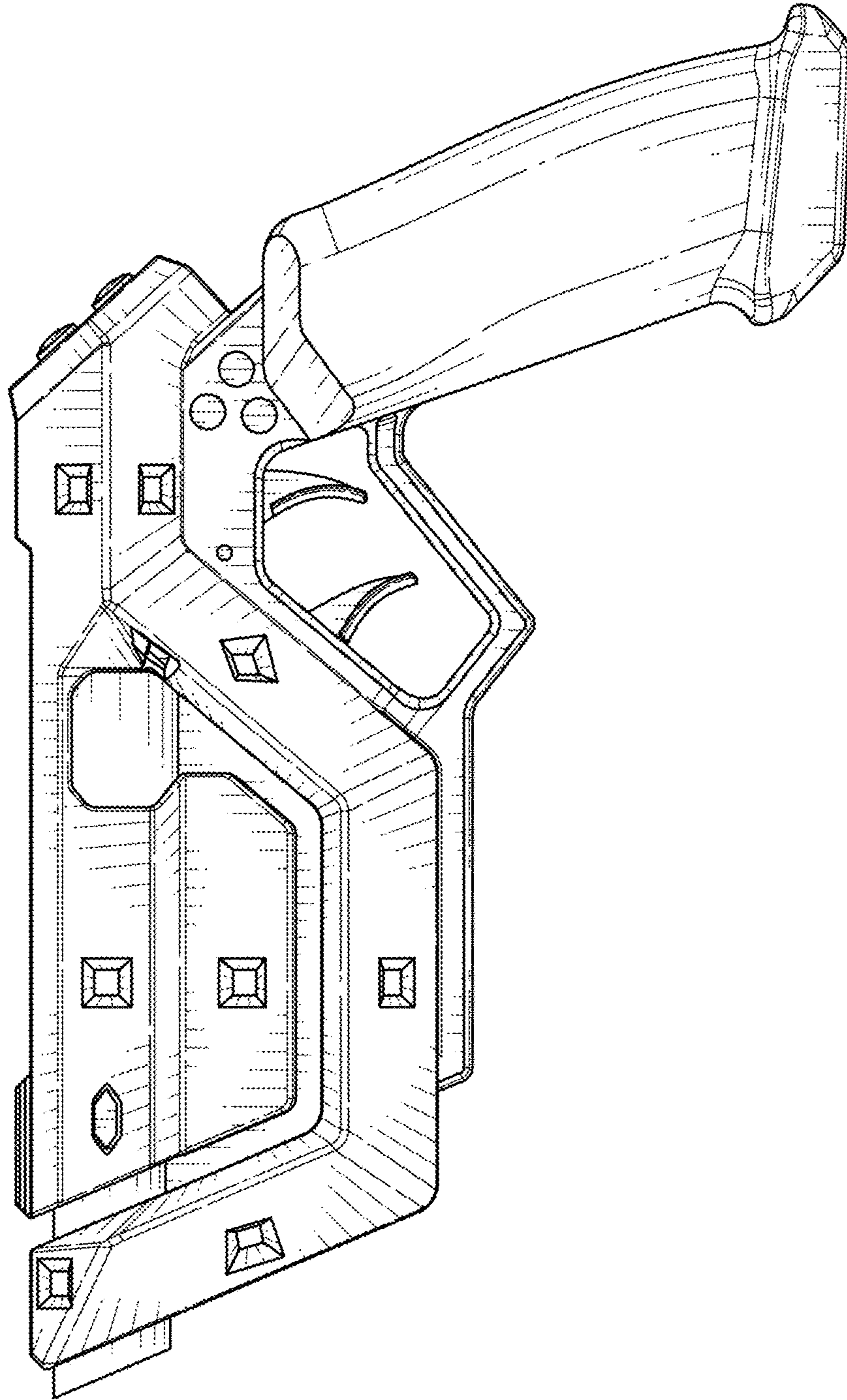


FIG. 14

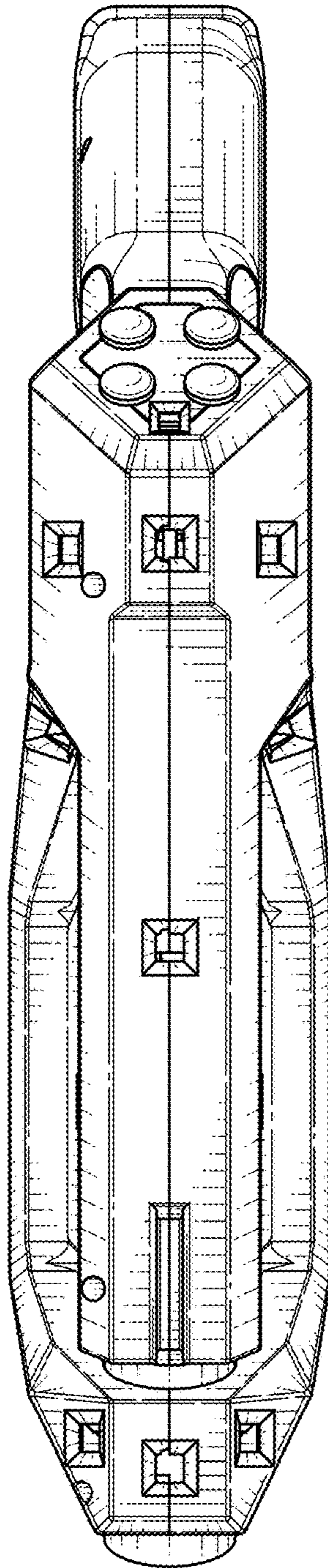


FIG. 15

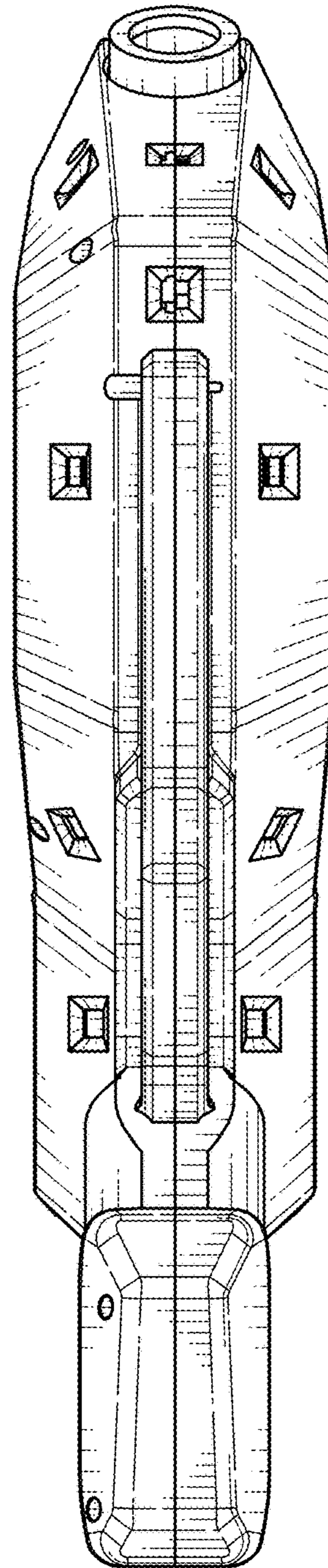


FIG. 16