



US00D847130S

(12) **United States Design Patent** (10) **Patent No.:** **US D847,130 S**
Skeie (45) **Date of Patent:** **** Apr. 30, 2019**

(54) **OPERATOR WORKSTATION FOR VESSELS**

(71) Applicant: **KONGSBERG MARITIME AS,**
Kongsberg (NO)

(72) Inventor: **Stig Olav Skeie,** Horten (NO)

(73) Assignee: **Kongsberg Maritime AS,** Kongsberg
(NO)

(**) Term: **15 Years**

(21) Appl. No.: **35/503,533**

(22) Filed: **Feb. 17, 2017**

(80) **Hague Agreement Data**

Int. Filing Date: **Feb. 17, 2017**

Int. Reg. No.: **DM/095497**

Int. Reg. Date: **Feb. 17, 2017**

Int. Reg. Pub. Date: **Aug. 18, 2017**

(51) **LOC (11) Cl.** **14-02**

(52) **U.S. Cl.**
USPC **D14/306**

(58) **Field of Classification Search**
USPC D14/127, 306, 371; D13/158, 162,
D13/162.1, 163, 164
CPC H05K 5/00; H05K 5/0004; H05K 5/0008;
H05K 5/0013; H05K 5/0017; H05K
5/0021; H05K 5/03; H05K 5/04
See application file for complete search history.

(56) **References Cited**

U.S. PATENT DOCUMENTS

D298,530 S * 11/1988 Vogel D13/163
D341,575 S * 11/1993 Drabczyk D14/306

D360,881 S * 8/1995 Johnson D14/306
D372,226 S * 7/1996 Maguire, Jr. D14/127
D436,354 S * 1/2001 Kodimer D14/306
D476,325 S * 6/2003 Monson D14/306
D650,777 S * 12/2011 Suzuki D14/306
D673,944 S * 1/2013 Huertas Moya D14/306
D720,710 S * 1/2015 Aarrestad D14/127
D747,307 S * 1/2016 Moos D14/306
D774,028 S * 12/2016 Laycock D14/306

* cited by examiner

Primary Examiner — George D. Kirschbaum

Assistant Examiner — Joseph J Kukella

(74) *Attorney, Agent, or Firm* — Winstead PC

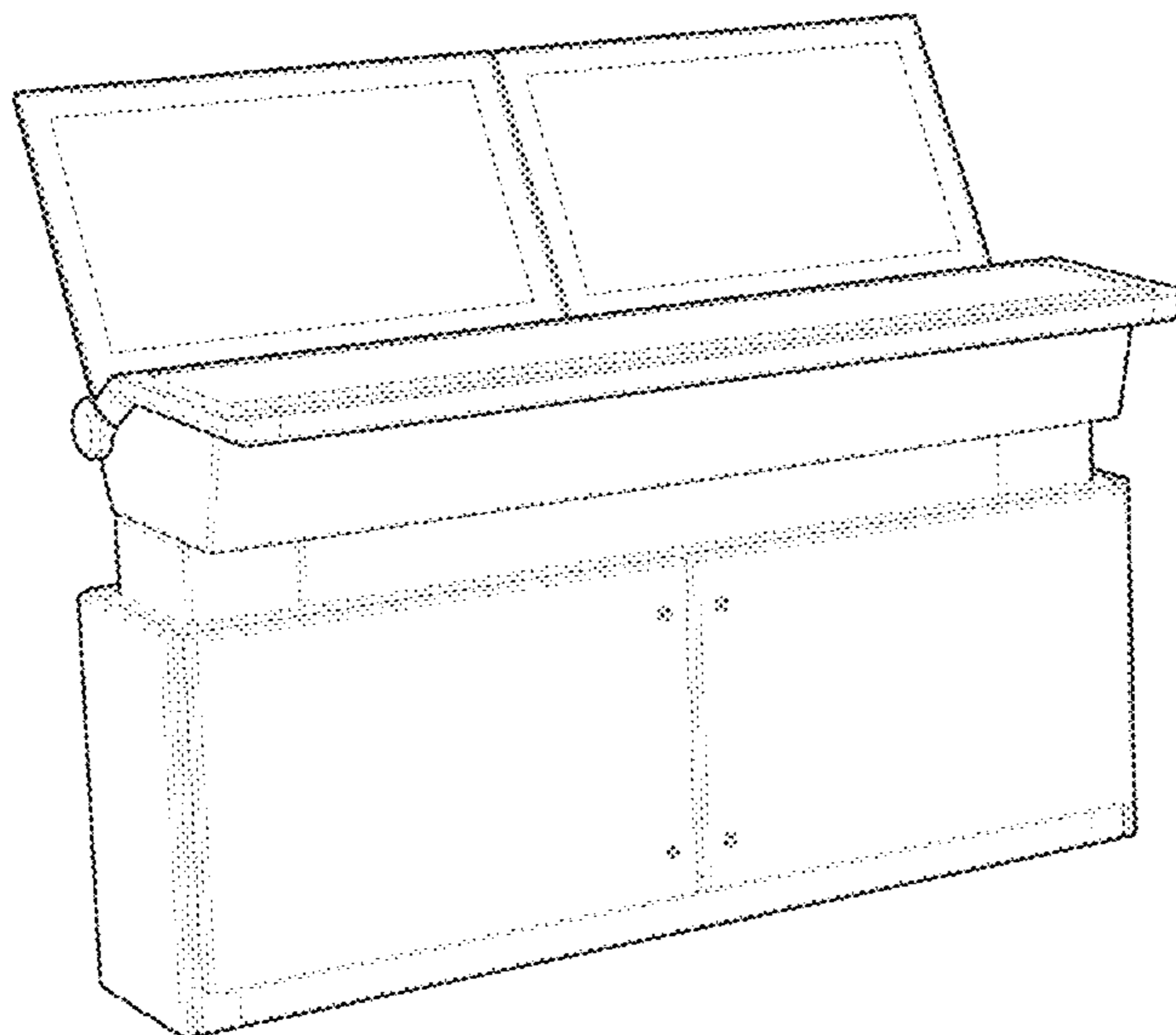
(57) **CLAIM**

The ornamental design for an operator workstation for vessels, as shown and described.

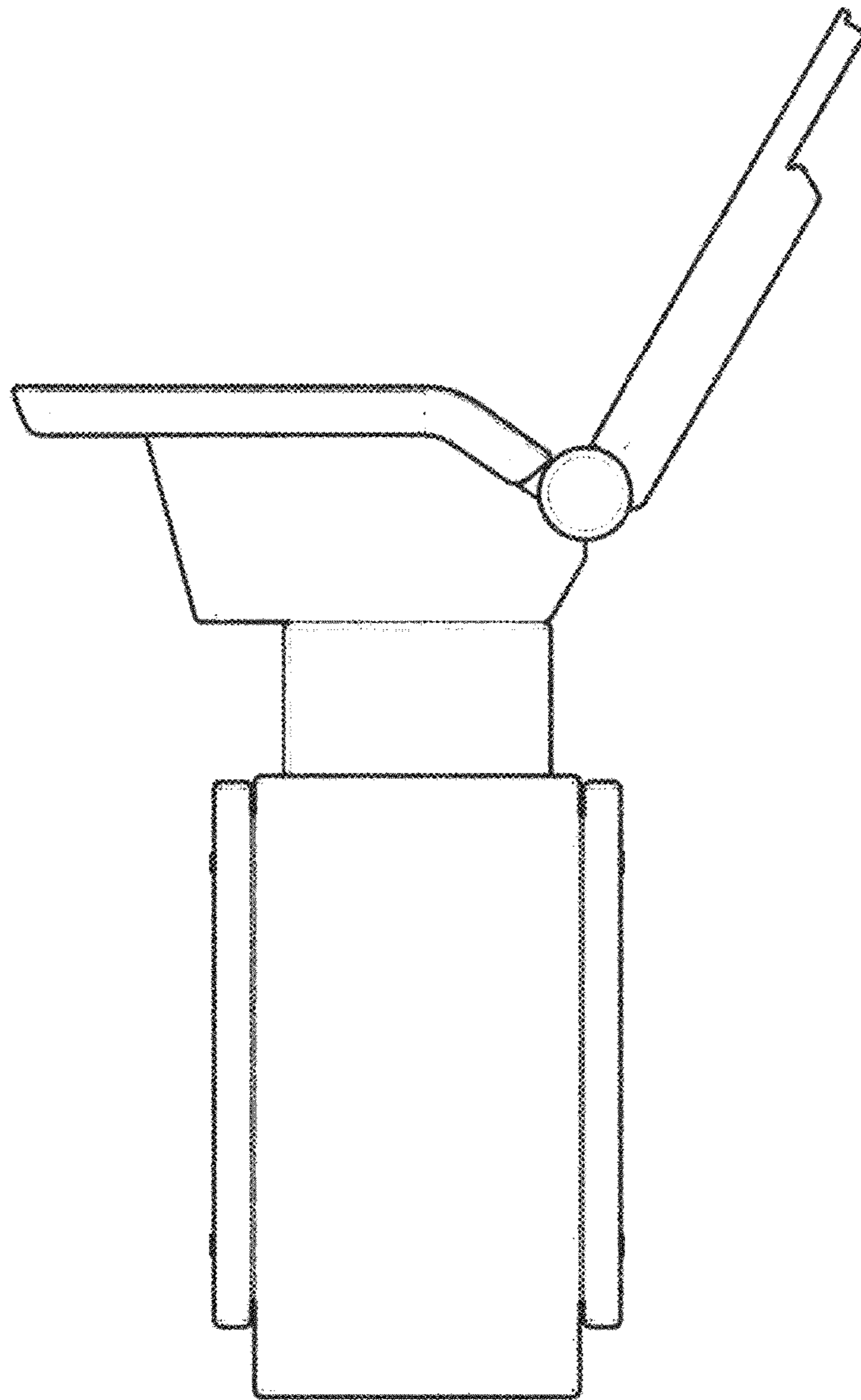
DESCRIPTION

4. Operator workstation for vessels
4.1 : Side View;
4.2 : Top view;
4.3 : Side view;
4.4 : Perspective view;
4.5 : Rear view;
4.6 : Perspective view;
4.6 : Front view;
4.8 : Bottom view.

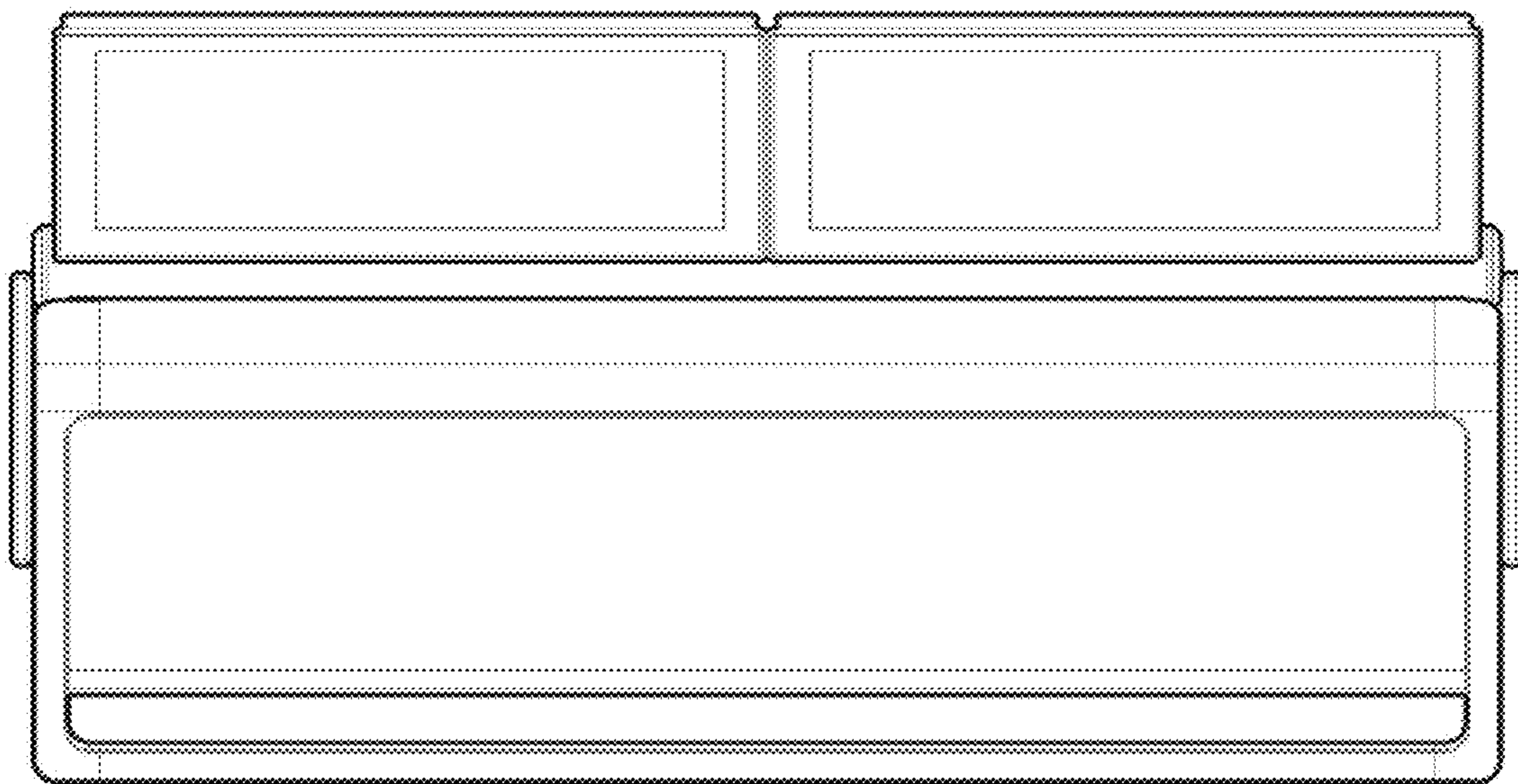
1 Claim, 8 Drawing Sheets

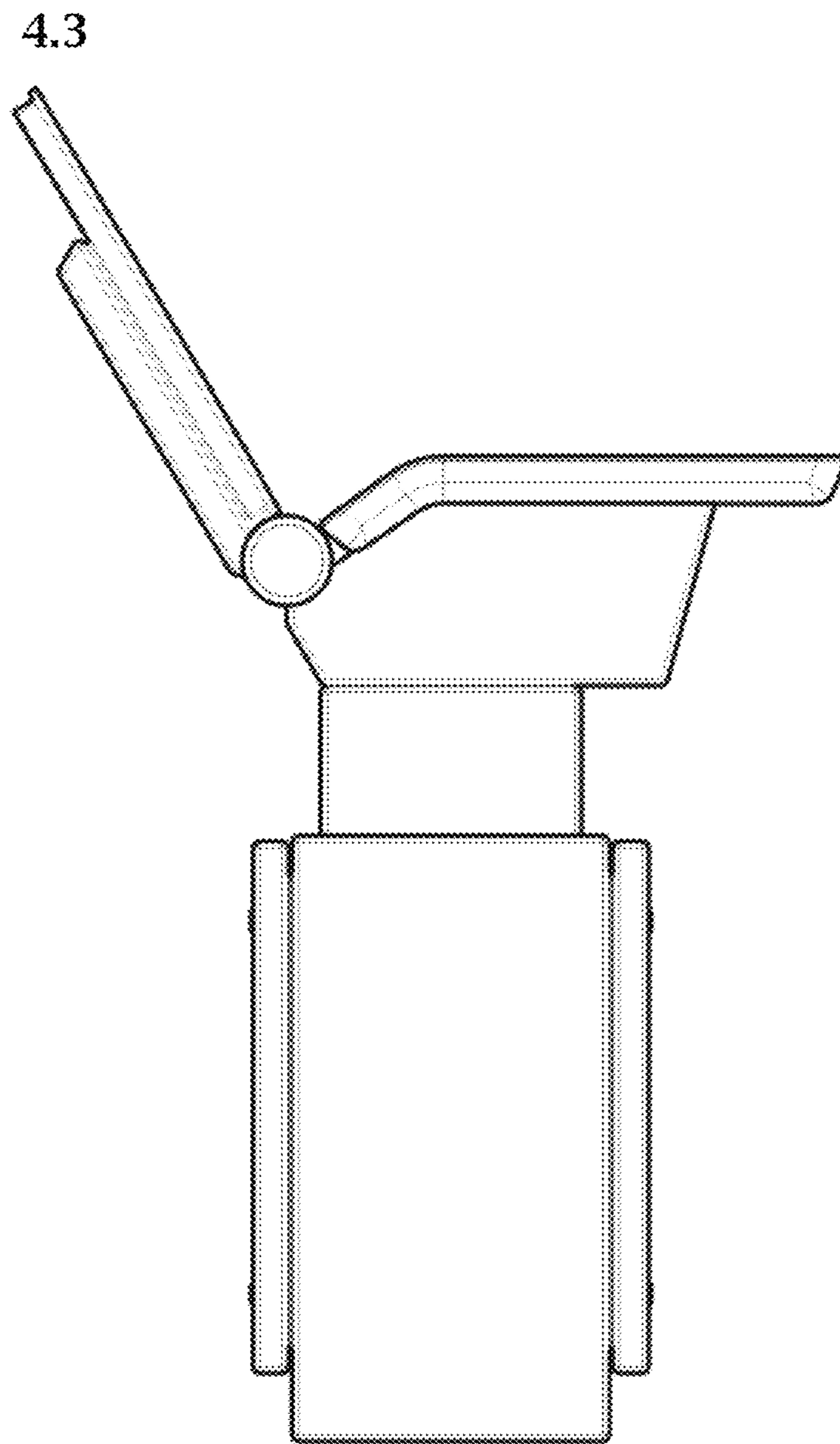


4.1

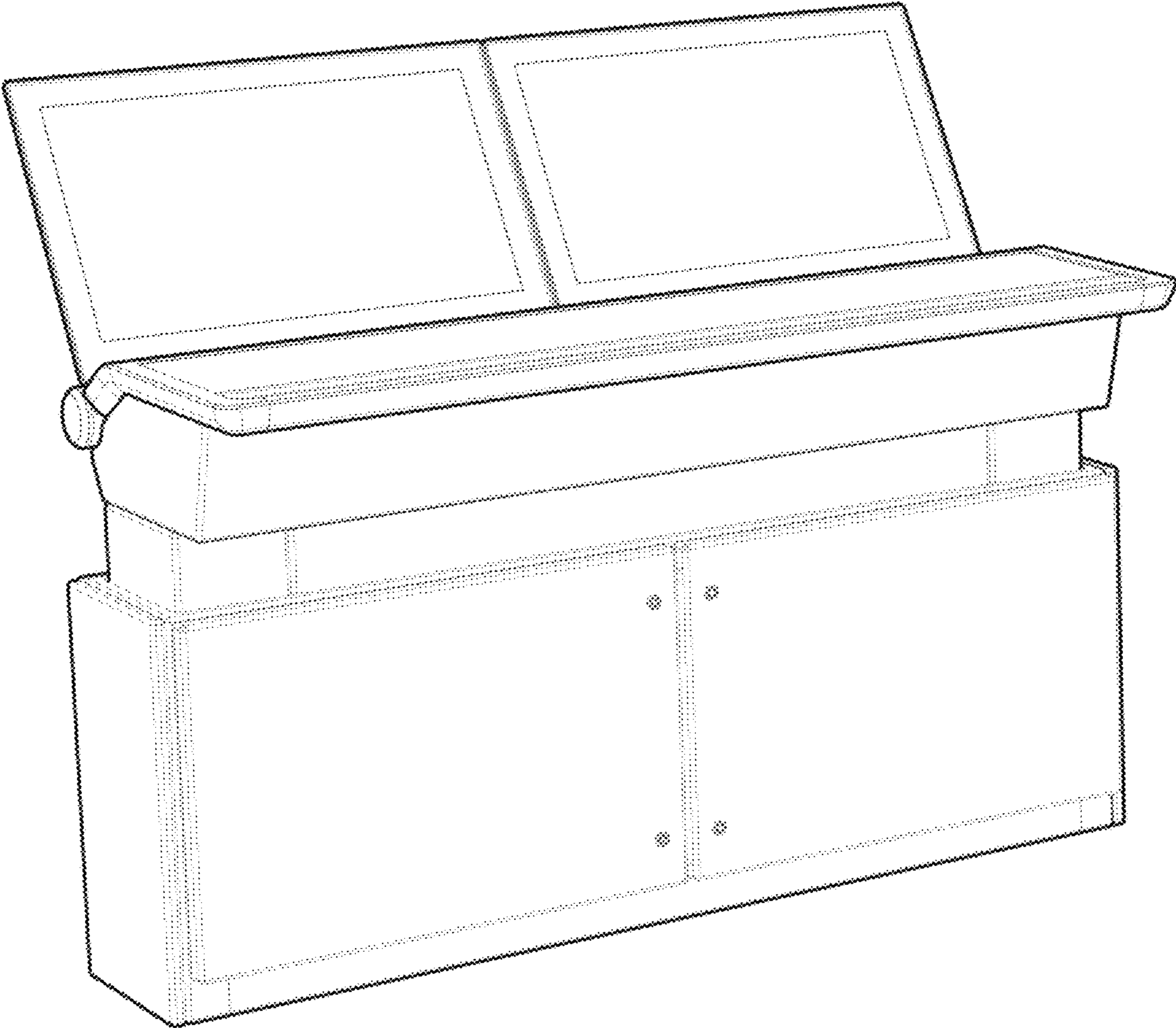


4.2

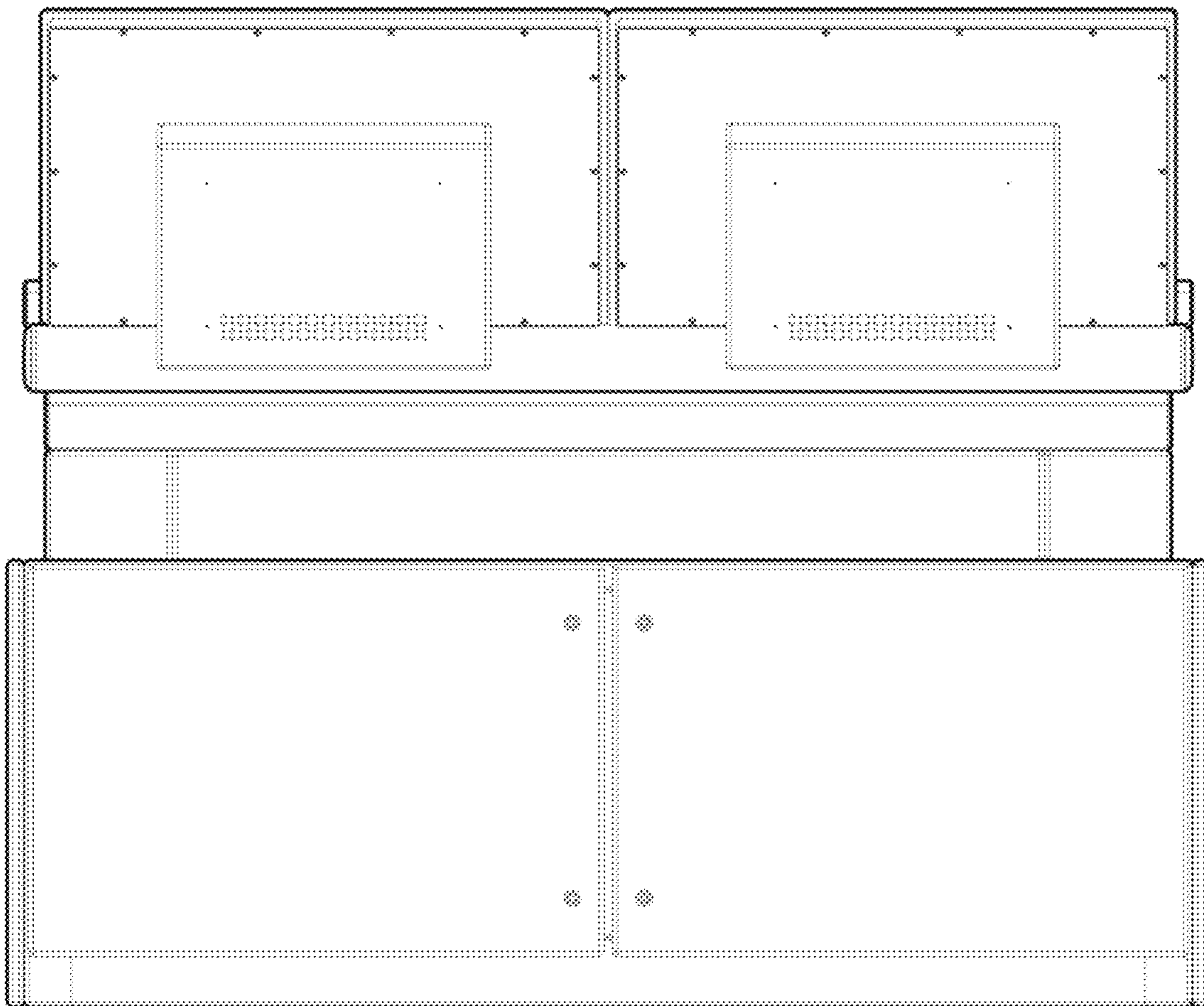




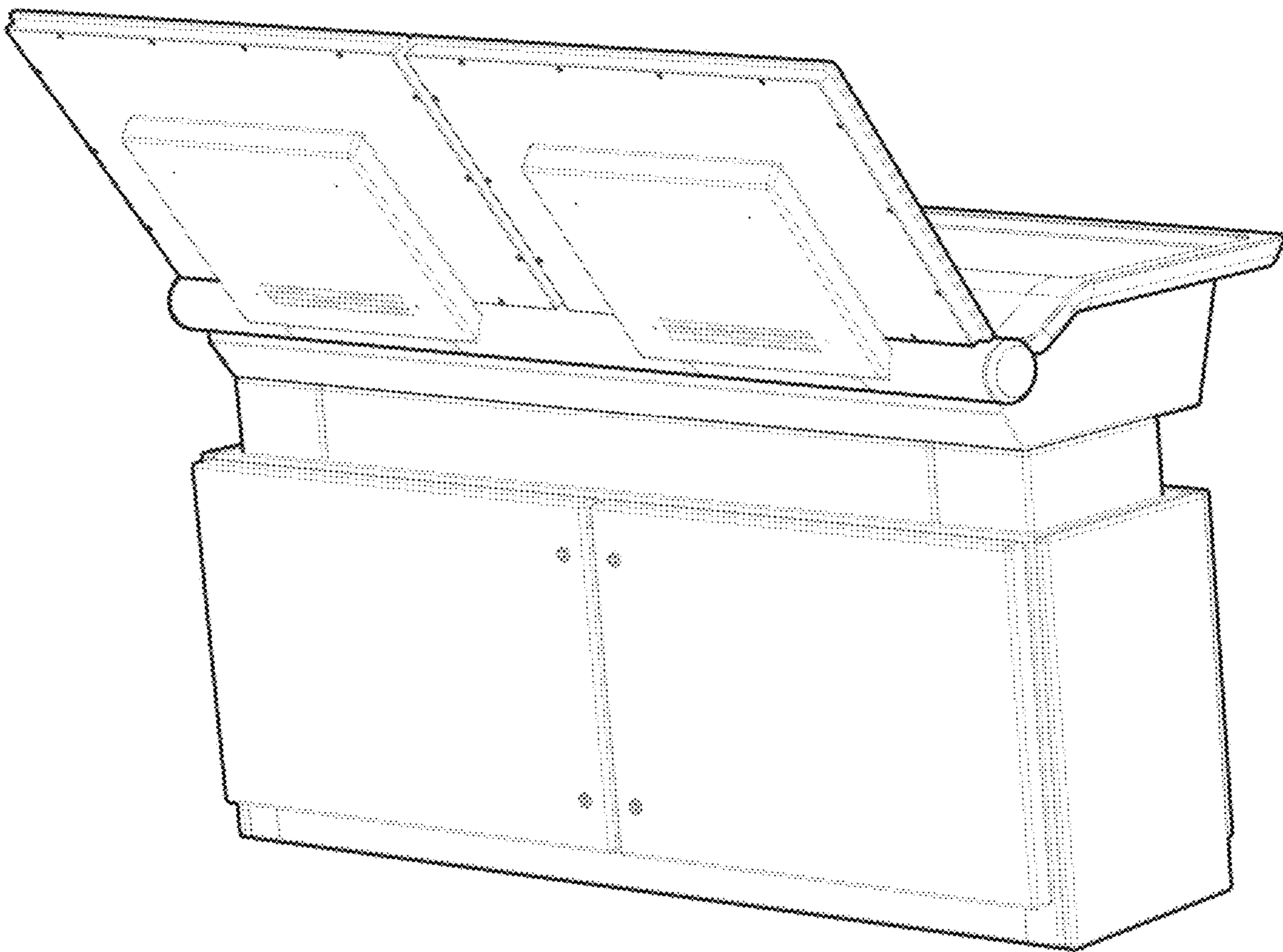
4.4



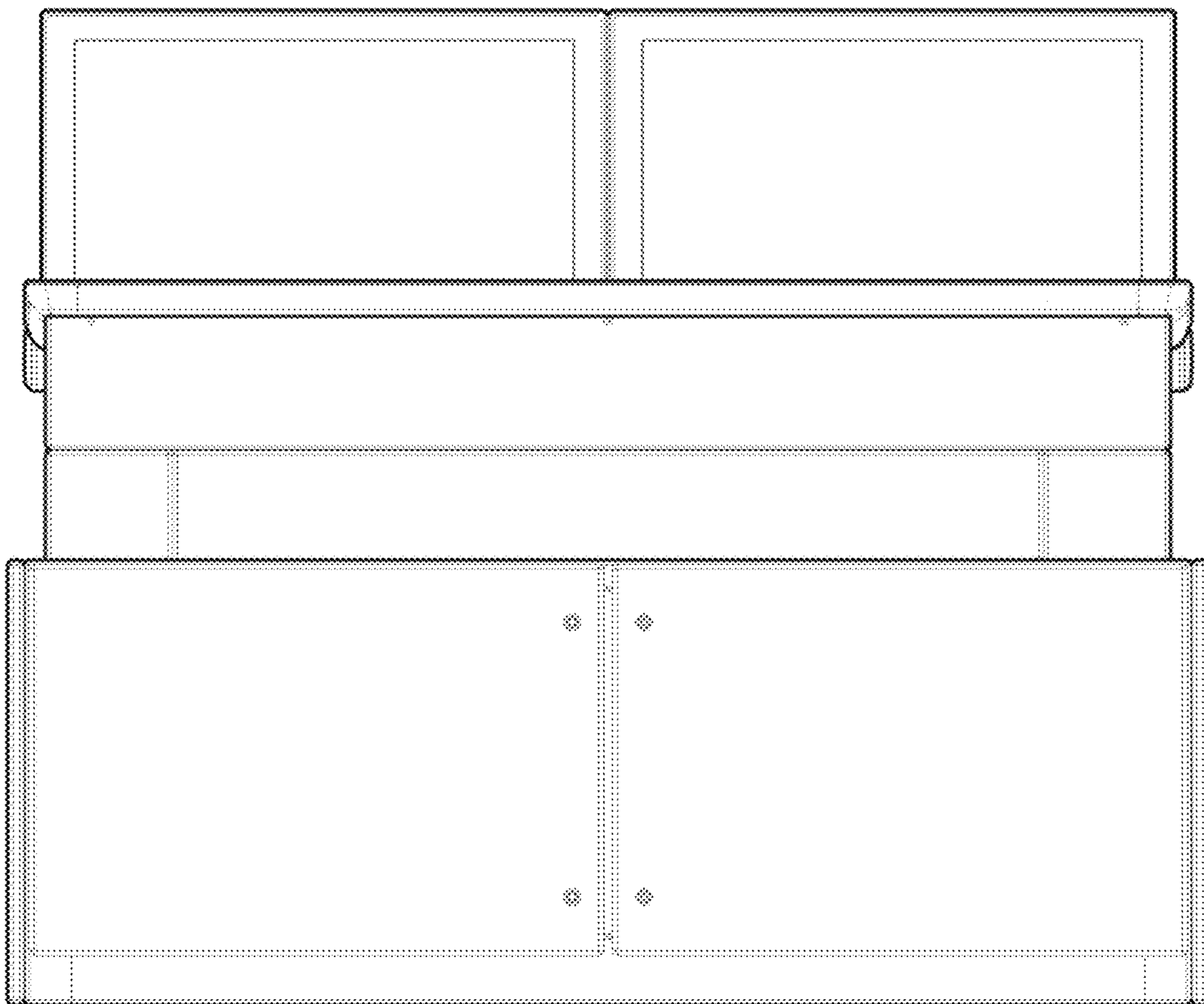
4.5



4.6



4.7



4.8

