



US00D847126S

(12) **United States Design Patent**
Loermann

(10) **Patent No.:** **US D847,126 S**
(45) **Date of Patent:** **** Apr. 30, 2019**

- (54) **HEADPHONE**
- (71) Applicant: **BRAGI GmbH**, München (DE)
- (72) Inventor: **Arne D. Loermann**, München (DE)
- (73) Assignee: **BRAGI GMBH**, München (DE)
- (**) Term: **15 Years**
- (21) Appl. No.: **29/650,179**
- (22) Filed: **Jun. 5, 2018**

D266,271 S 9/1982 Johanson et al.
 4,375,016 A 2/1983 Harada
 4,588,867 A 5/1986 Konomi
 4,617,429 A 10/1986 Bellafore
 4,654,883 A 3/1987 Iwata
 4,682,180 A 7/1987 Gans
 (Continued)

FOREIGN PATENT DOCUMENTS

EP 1017252 A3 5/2006
 GB 2074817 4/1981
 (Continued)

OTHER PUBLICATIONS

Announcing the \$3,333,333 Stretch Goal (Feb. 24, 2014).
 (Continued)

Related U.S. Application Data

- (62) Division of application No. 29/576,545, filed on Sep. 3, 2016, now Pat. No. Des. 822,645.
- (51) **LOC (11) Cl.** **14-01**
- (52) **U.S. Cl.**
USPC **D14/223**
- (58) **Field of Classification Search**
USPC D14/205, 223, 224, 225, 226, 249;
D24/173, 174, 175
CPC .. H04R 2225/025; H04R 25/00; H04R 25/02;
H04R 25/60; H04R 25/67; H04R 25/602;
H04R 25/604; H04R 25/608; H04R
1/1016; H04R 1/105
See application file for complete search history.

Primary Examiner — Garth Rademaker
Assistant Examiner — Samantha Q Lawrence
 (74) *Attorney, Agent, or Firm* — Goodhue, Coleman & Owens, P.C.

(57) **CLAIM**

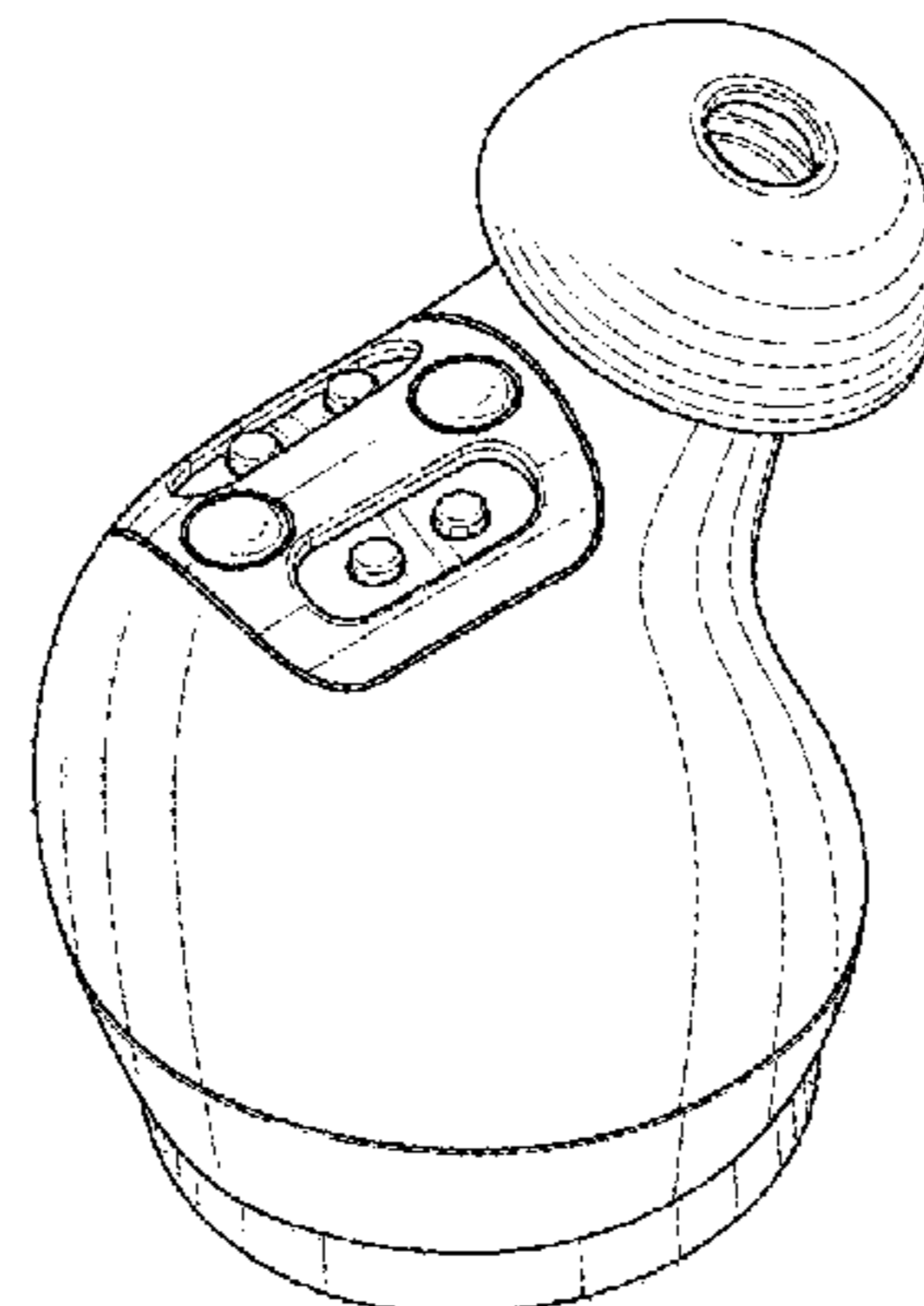
The ornamental design for headphone, as shown and described.

DESCRIPTION

FIG. 1 is a perspective view of another embodiment of a headphone for the right ear of a user in accordance with the present invention;
 FIG. 2 is a top view thereof;
 FIG. 3 is a bottom view thereof;
 FIG. 4 is a right side view thereof;
 FIG. 5 is a right side view thereof;
 FIG. 6 is a rear view thereof; and,
 FIG. 7 is a front view thereof.
 The broken lines illustrate portions of the headphone that form no part of the claimed design.

- (56) **References Cited**
U.S. PATENT DOCUMENTS
- | | | |
|-------------|---------|-----------------|
| 2,325,590 A | 8/1943 | Carlisle et al. |
| 2,430,229 A | 11/1947 | Kelsey |
| 3,047,089 A | 7/1962 | Zwislocki |
| D208,784 S | 10/1967 | Sanzone |
| 3,586,794 A | 6/1971 | Michaelis |
| 3,934,100 A | 1/1976 | Harada |
| 3,983,336 A | 9/1976 | Malek et al. |
| 4,069,400 A | 1/1978 | Johanson et al. |
| 4,150,262 A | 4/1979 | Ono |
| 4,334,315 A | 6/1982 | Ono et al. |

1 Claim, 2 Drawing Sheets



(56)

References Cited

U.S. PATENT DOCUMENTS

4,791,673 A	12/1988	Schreiber	7,215,790 B2	5/2007	Boesen et al.
4,852,177 A	7/1989	Ambrose	D549,222 S	8/2007	Huang
4,865,044 A	9/1989	Wallace et al.	D554,756 S	11/2007	Sjursen et al.
4,984,277 A	1/1991	Bisgaard et al.	7,403,629 B1	7/2008	Aceti et al.
5,008,943 A	4/1991	Arndt et al.	D579,006 S	10/2008	Kim et al.
5,185,802 A	2/1993	Stanton	7,463,902 B2	12/2008	Boesen
5,191,602 A	3/1993	Regen et al.	7,508,411 B2	3/2009	Boesen
5,201,007 A	4/1993	Ward et al.	D601,134 S	9/2009	Elabidi et al.
5,201,008 A	4/1993	Arndt et al.	D611,606 S	3/2010	Vaterlaus
D340,286 S	10/1993	Seo	D636,492 S	4/2011	Aquilina et al.
5,280,524 A	1/1994	Norris	7,965,855 B1	6/2011	Ham
5,295,193 A	3/1994	Ono	7,983,628 B2	7/2011	Boesen
5,298,692 A	3/1994	Ikeda et al.	D647,491 S	10/2011	Chen et al.
5,343,532 A	8/1994	Shugart	8,140,357 B1	3/2012	Boesen
5,347,584 A	9/1994	Narisawa	D666,581 S	9/2012	Perez
5,363,444 A	11/1994	Norris	8,406,448 B2	3/2013	Lin
D367,113 S	2/1996	Weeks	D687,021 S	7/2013	Yuen
5,497,339 A	3/1996	Bernard	D687,952 S	8/2013	Dubs
5,606,621 A	2/1997	Reiter et al.	D698,761 S *	2/2014	Bao D14/223
5,613,222 A	3/1997	Guenther	8,774,434 B2	7/2014	Zhao et al.
5,654,530 A	8/1997	Sauer et al.	8,831,266 B1	9/2014	Huang
5,692,059 A	11/1997	Kruger	D720,075 S	12/2014	Soeta et al.
5,721,783 A	2/1998	Anderson	D725,626 S	3/2015	Kalhok
5,748,743 A	5/1998	Weeks	D728,107 S *	4/2015	Torres Martin D24/174
5,749,072 A	5/1998	Mazurkiewicz et al.	D733,103 S	6/2015	Jeong et al.
5,771,438 A	6/1998	Palermo et al.	D734,472 S	7/2015	Meinertz
D397,796 S	9/1998	Yabe et al.	D735,339 S	7/2015	Meinertz
5,802,167 A	9/1998	Hong	D744,456 S *	12/2015	Pedersen D14/223
D410,008 S	5/1999	Almqvist	D770,426 S *	11/2016	LaBerge H04R 1/1016 D14/223
5,929,774 A	7/1999	Charlton	D773,439 S *	12/2016	Walker D14/205
5,933,506 A	8/1999	Aoki et al.	D775,158 S	12/2016	Dong et al.
5,949,896 A	9/1999	Nageno et al.	D777,149 S	1/2017	Bonahoom et al.
5,987,146 A	11/1999	Pluvinage et al.	D777,710 S *	1/2017	Palmborg D14/223
6,021,207 A	2/2000	Puthuff et al.	D788,079 S	5/2017	Son et al.
6,054,989 A	4/2000	Robertson et al.	D805,060 S *	12/2017	Loermann D14/223
6,081,724 A	6/2000	Wilson	D809,487 S *	2/2018	Lee D14/223
6,094,492 A	7/2000	Boesen	D810,054 S	2/2018	Yuan
6,111,569 A	8/2000	Brusky et al.	D812,042 S *	3/2018	Xiao D14/223
6,112,103 A	8/2000	Puthuff	D813,205 S *	3/2018	Palmborg D14/223
6,157,727 A	12/2000	Rueda	D813,848 S *	3/2018	Palmborg D14/223
6,167,039 A	12/2000	Karlsson et al.	D822,645 S *	7/2018	Loermann D14/223
6,181,801 B1	1/2001	Puthuff et al.	2001/0005197 A1	6/2001	Mishra et al.
6,208,372 B1	3/2001	Barraclough	2001/0027121 A1	10/2001	Boesen
6,275,789 B1	8/2001	Moser et al.	2001/0043707 A1	11/2001	Leedom
6,339,754 B1	1/2002	Flanagan et al.	2001/0056350 A1	12/2001	Calderone et al.
D455,835 S	4/2002	Anderson et al.	2002/0002413 A1	1/2002	Tokue
6,408,081 B1	6/2002	Boesen	2002/0007510 A1	1/2002	Mann
D464,039 S	10/2002	Boesen	2002/0010590 A1	1/2002	Lee
6,470,893 B1	10/2002	Boesen	2002/0030637 A1	3/2002	Mann
D468,299 S	1/2003	Boesen	2002/0046035 A1	4/2002	Kitahara et al.
D468,300 S	1/2003	Boesen	2002/0057810 A1	5/2002	Boesen
6,542,721 B2	4/2003	Boesen	2002/0076073 A1	6/2002	Taenzer et al.
6,560,468 B1	5/2003	Boesen	2002/0118852 A1	8/2002	Boesen
6,654,721 B2	11/2003	Handelman	2003/0065504 A1	4/2003	Kraemer et al.
6,664,713 B2	12/2003	Boesen	2003/0100331 A1	5/2003	Dress et al.
6,690,807 B1	2/2004	Meyer	2003/0104806 A1	6/2003	Ruef et al.
6,694,180 B1	2/2004	Boesen	2003/0115068 A1	6/2003	Boesen
6,718,043 B1	4/2004	Boesen	2003/0125096 A1	7/2003	Boesen
6,738,485 B1	5/2004	Boesen	2003/0218064 A1	11/2003	Conner et al.
6,748,095 B1	6/2004	Goss	2004/0070564 A1	4/2004	Dawson et al.
6,754,358 B1	6/2004	Boesen et al.	2004/0160511 A1	8/2004	Boesen
6,784,873 B1	8/2004	Boesen et al.	2005/0043056 A1	2/2005	Boesen
6,823,195 B1	11/2004	Boesen	2005/0125320 A1	6/2005	Boesen
6,852,084 B1	2/2005	Boesen	2005/0148883 A1	7/2005	Boesen
6,879,698 B2	4/2005	Boesen	2005/0165663 A1	7/2005	Razumov
6,892,082 B2	5/2005	Boesen	2005/0196009 A1	9/2005	Boesen
6,920,229 B2	7/2005	Boesen	2005/0251455 A1	11/2005	Boesen
6,952,483 B2	10/2005	Boesen et al.	2005/0266876 A1	12/2005	Boesen
6,987,986 B2	1/2006	Boesen	2006/0029246 A1	2/2006	Boesen
7,010,137 B1	3/2006	Leedom et al.	2006/0074671 A1	4/2006	Farmaner et al.
7,113,611 B2	9/2006	Leedom et al.	2006/0074808 A1	4/2006	Boesen
D532,520 S	11/2006	Kampmeier et al.	2008/0254780 A1	10/2008	Kuhl et al.
7,136,282 B1	11/2006	Rebeske	2009/0245559 A1	10/2009	Boltyenkov et al.
7,203,331 B2	4/2007	Boesen	2017/0111726 A1	4/2017	Martin et al.
7,209,569 B2	4/2007	Boesen	2017/0155992 A1	6/2017	Perianu et al.
			2018/0040093 A1	2/2018	Boesen
			2018/0060031 A1	3/2018	Boesen
			2018/0063629 A1	3/2018	Steiner

(56)

References Cited

U.S. PATENT DOCUMENTS

FOREIGN PATENT DOCUMENTS

JP	06292195	10/1998
WO	2014043179 A3	7/2014
WO	2015110577 A1	7/2015
WO	2015110587 A1	7/2015

OTHER PUBLICATIONS

Bragi Is On Facebook (2014).
 Bragi Update—Arrival of Prototype Chassis Parts—More People—Awesomeness (May 13, 2014).
 Bragi Update—Chinese New Year, Design Verification, Charging Case, More People, Timeline(Mar. 6, 2015).
 Bragi Update—First Sleeves From Prototype Tool—Software Development Kit (Jun. 5, 2014).
 Bragi Update—Let’s Get Ready To Rumble, A Lot To Be Done Over Christmas (Dec. 22, 2014).
 Bragi Update—Memories From April—Update On Progress (Sep. 16, 2014).
 Bragi Update—Memories from May—Update on Progress—Sweet (Oct. 13, 2014).
 Bragi Update—Memories From One Month Before Kickstarter—Update On Progress (Jul. 10, 2014).
 Bragi Update—Memories From The First Month of Kickstarter—Update on Progress (Aug. 1, 2014).
 Bragi Update—Memories From The Second Month of Kickstarter—Update On Progress (Aug. 22, 2014).
 Bragi Update—New People @Bragi—Prototypes (Jun. 26, 2014).
 Bragi Update—Office Tour, Tour To China, Tour to CES (Dec. 11, 2014).
 Bragi Update—Status on Wireless, Bits and Pieces, Testing—Oh Yeah, Timeline(Apr. 24, 2015).

Bragi Update—The App Preview, The Charger, The SDK, Bragi Funding and Chinese New Year (Feb. 11, 2015).
 Bragi Update—What We Did Over Christmas, Las Vegas & CES (Jan. 19, 2015).
 Bragi Update—Years of Development, Moments of Utter Joy and Finishing What We Started(Jun. 5, 2015).
 Bragi Update—Alpha 5 and Back To China, Backer Day, On Track(May 16, 2015).
 Bragi Update—Beta2 Production and Factory Line(Aug. 20, 2015).
 Bragi Update—Certifications, Production, Ramping Up (Nov. 13, 2015).
 Bragi Update—Developer Units Shipping and Status(Oct. 5, 2015).
 Bragi Update—Developer Units Started Shipping and Status (Oct. 19, 2015).
 Bragi Update—Developer Units, Investment, Story and Status(Nov. 2, 2015).
 Bragi Update—Getting Close(Aug. 6, 2015).
 Bragi Update—On Track, Design Verification, How It Works and What’s Next(Jul. 15, 2015).
 Bragi Update—On Track, On Track and Gems Overview (Jun. 24, 2015).
 Bragi Update—Status On Wireless, Supply, Timeline and Open House@Bragi(Apr. 1, 2015).
 Bragi Update—Unpacking Video, Reviews On Audio Perform and Boy Are We Getting Close(Sep. 10, 2015).
 Last Push Before The Kickstarter Campaign Ends on Monday 4pm CET (Mar. 28, 2014).
 Staab, Wayne J., et al., “A One-Size Disposable Hearing Aid is Introduced”, The Hearing Journal 53(4):36-41) Apr. 2000.
 Stretchgoal—It’s Your Dash (Feb. 14, 2014).
 Stretchgoal—The Carrying Case for The Dash (Feb. 12, 2014).
 Stretchgoal—Windows Phone Support (Feb. 17, 2014).
 The Dash + The Charging Case & The Bragi News (Feb. 21, 2014).
 The Dash—A Word From Our Software, Mechanical and Acoustics Team + An Update (Mar. 11, 2014).
 Update From Bragi—\$3,000,000—Yipee (Mar. 22, 2014).

* cited by examiner

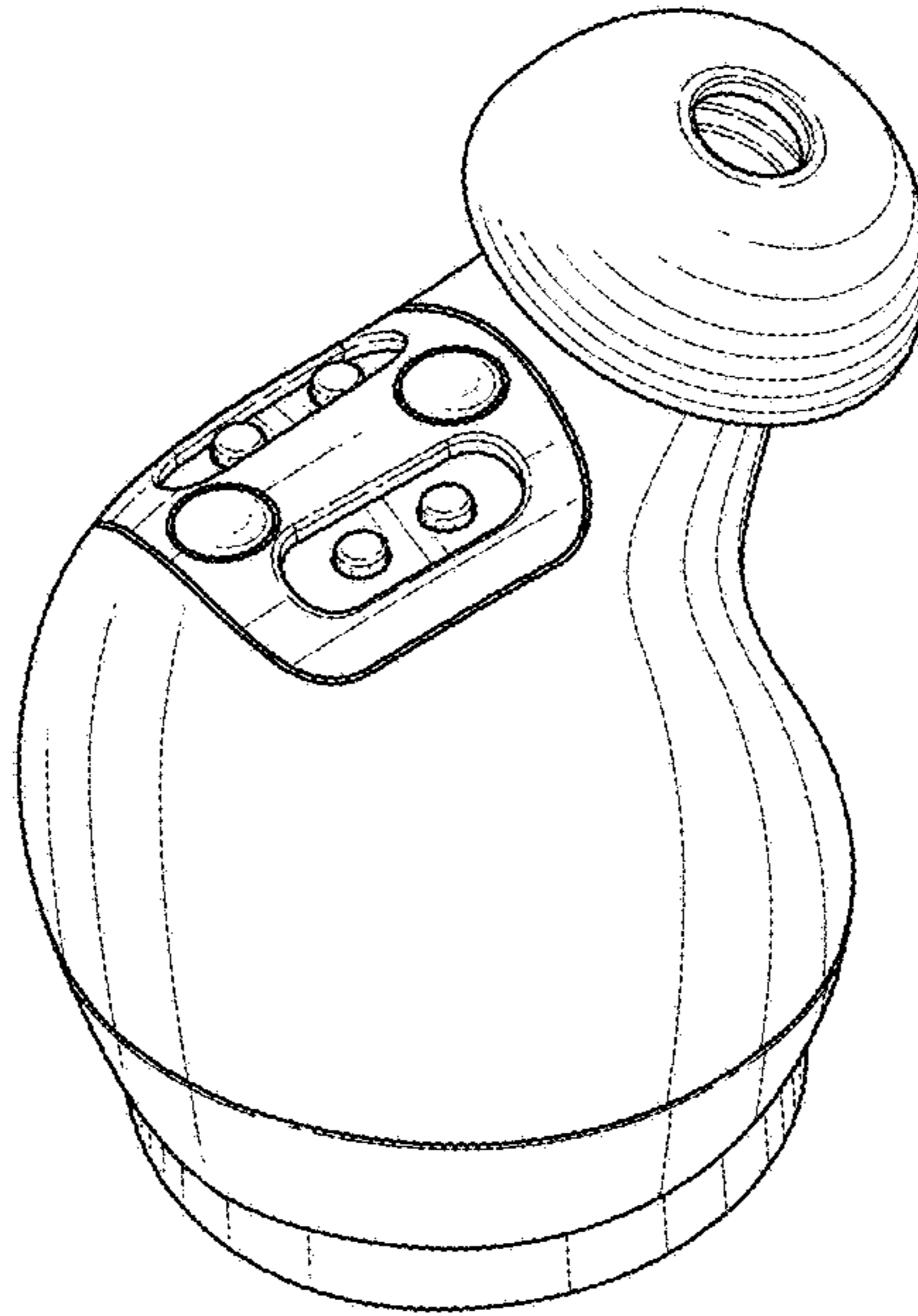


FIG. 1

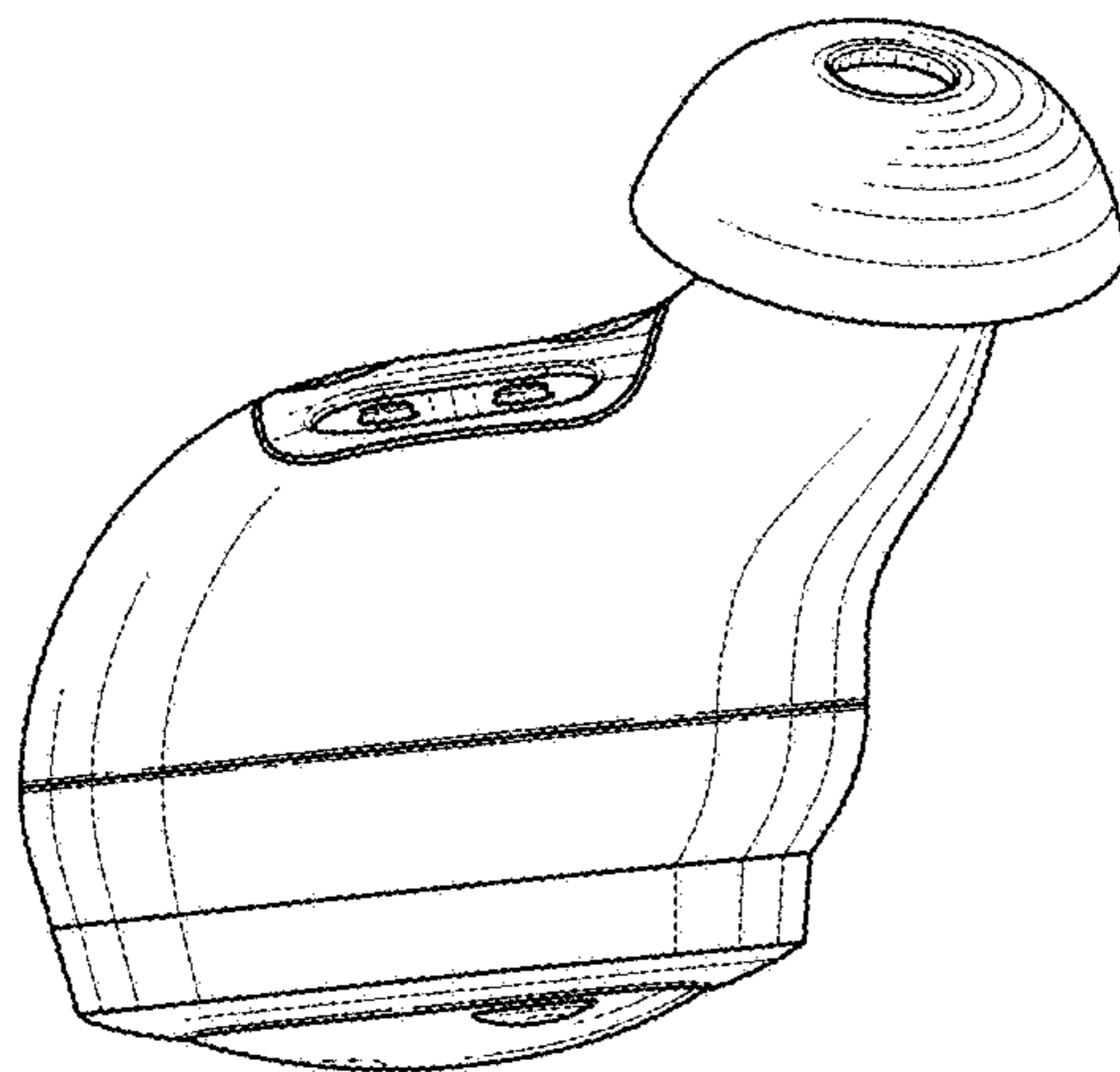


FIG. 2

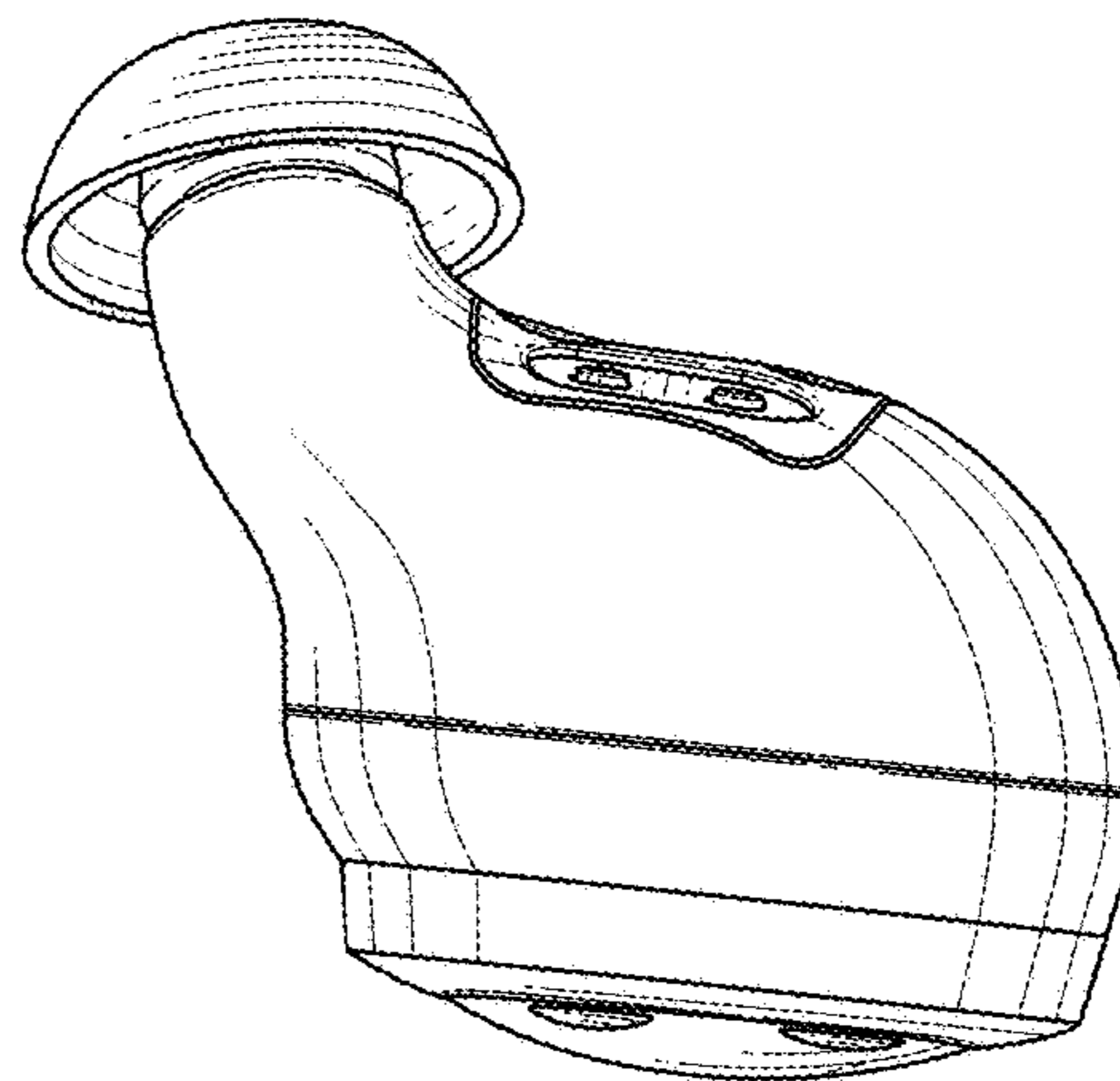


FIG. 3

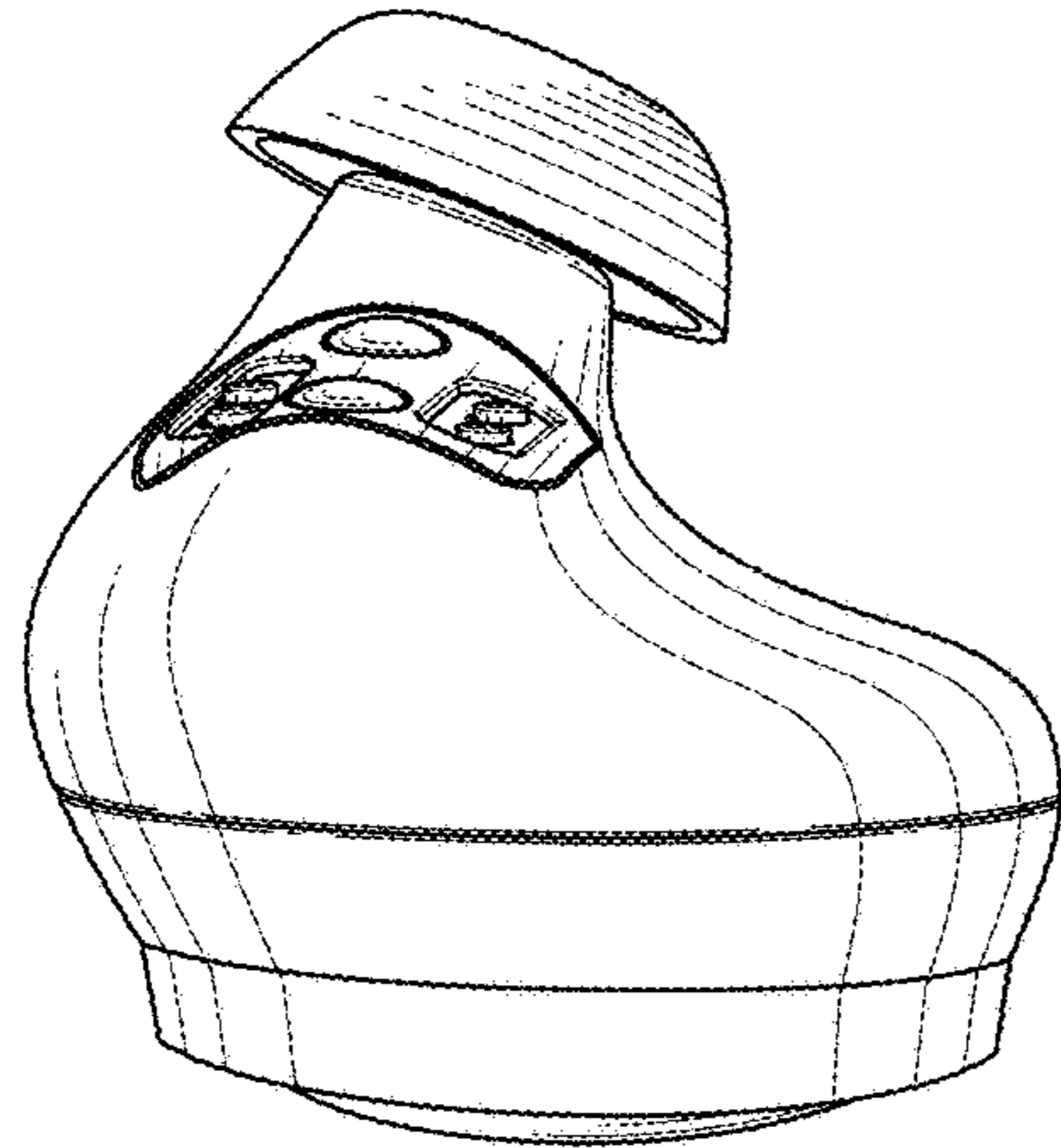


FIG. 4

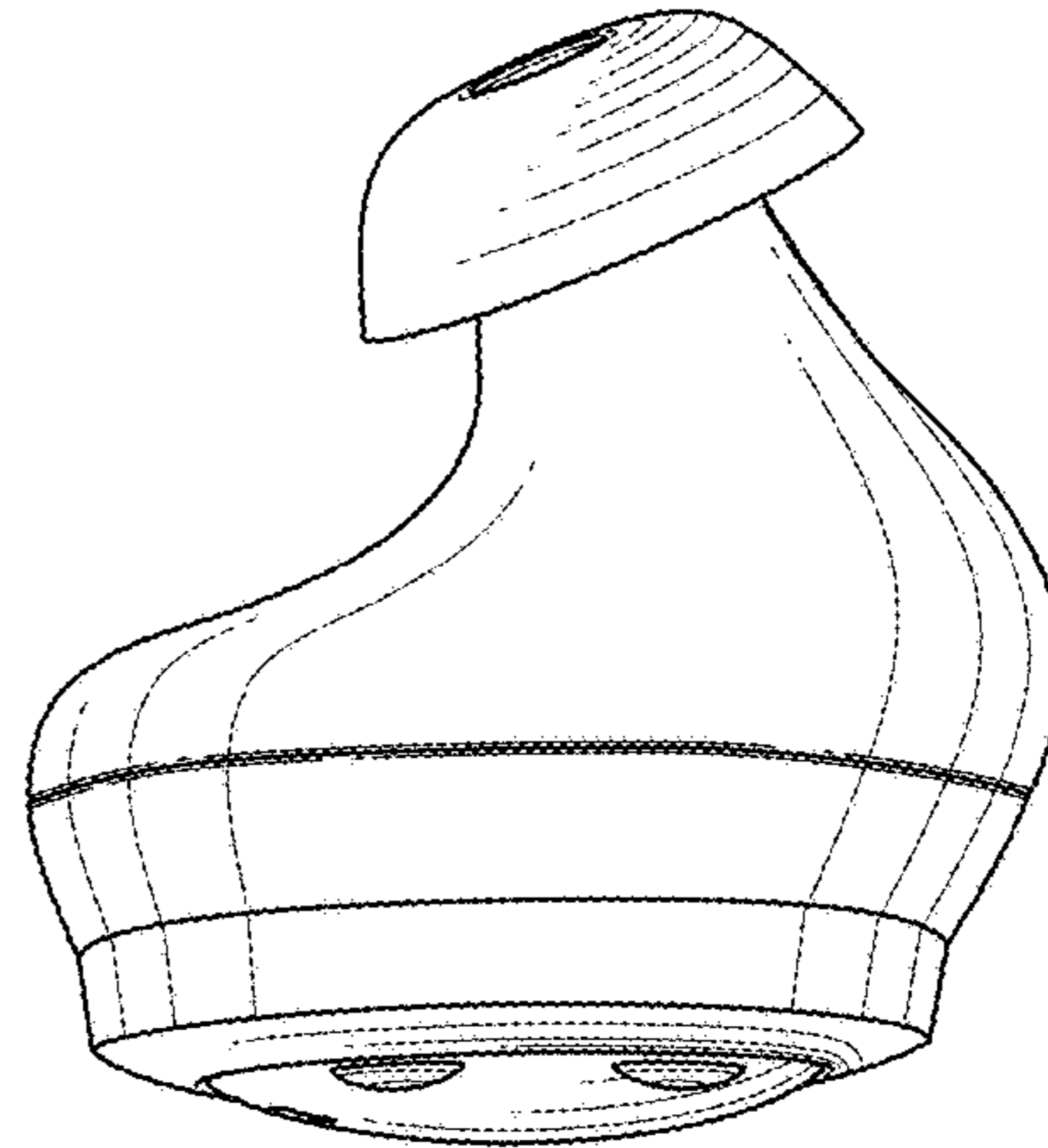


FIG. 5

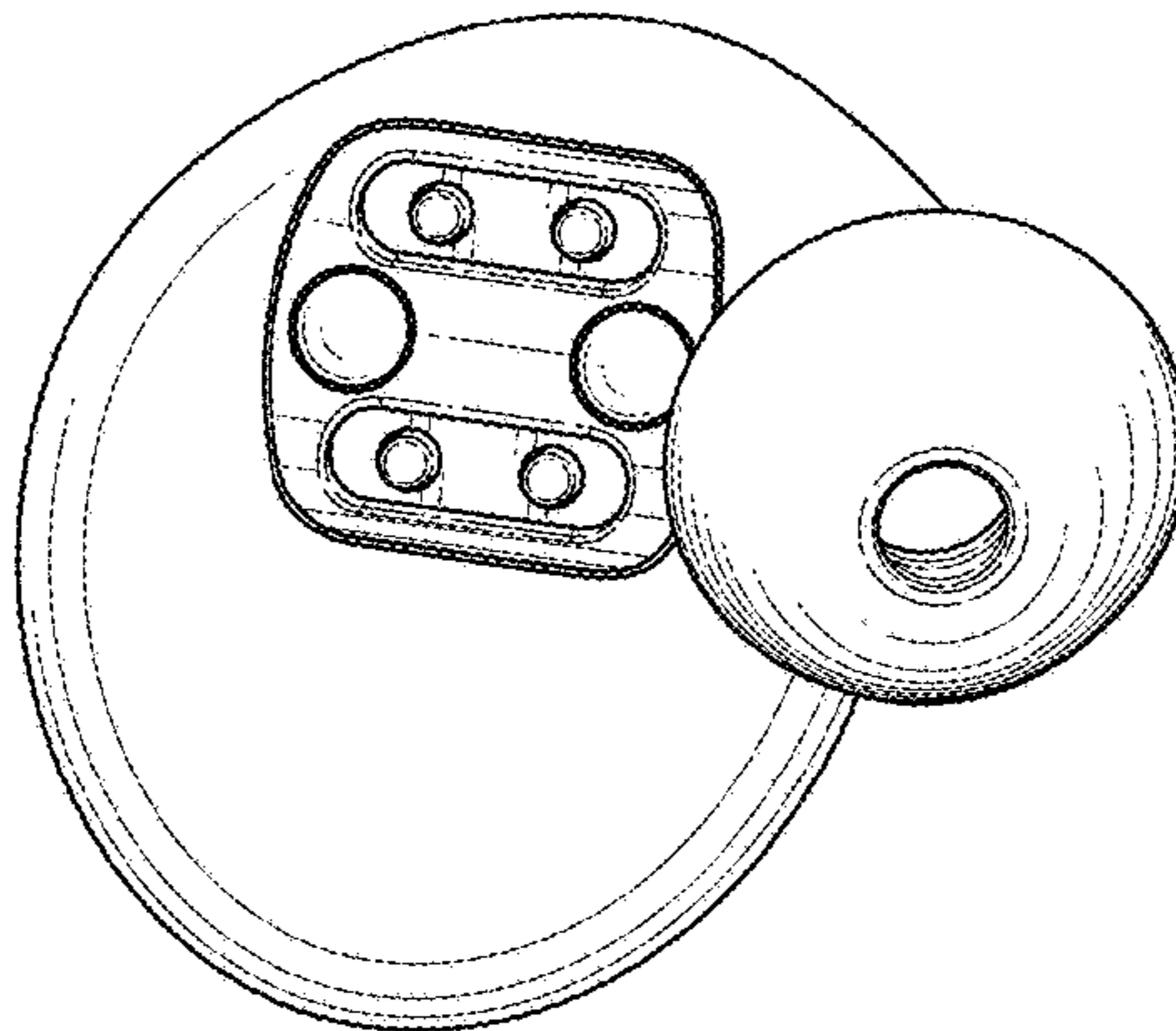


FIG. 6

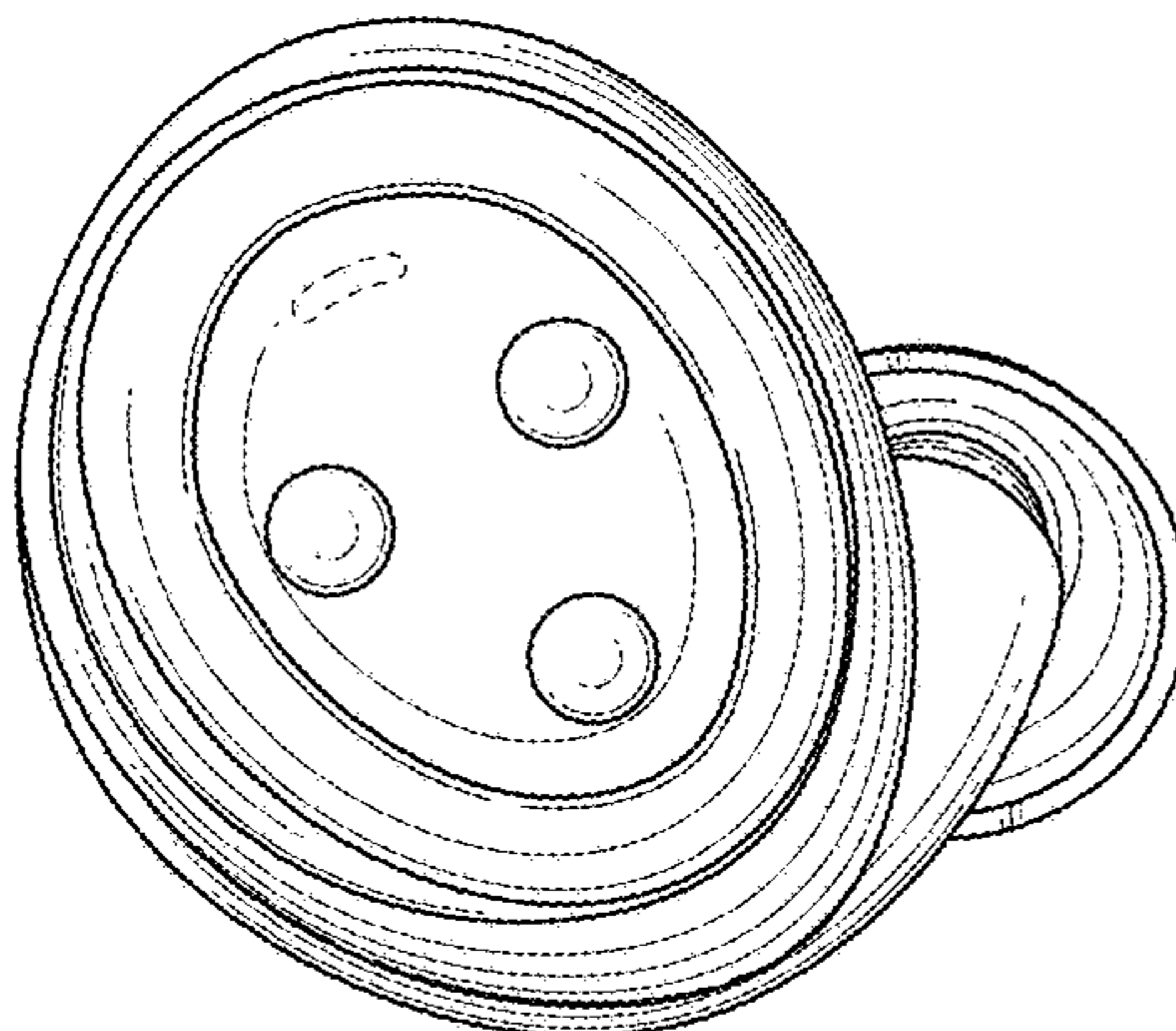


FIG. 7