



US00D847123S

(12) **United States Design Patent**  
**Ito et al.**

(10) **Patent No.:** **US D847,123 S**

(45) **Date of Patent:** **\*\* Apr. 30, 2019**

- (54) **HANDLE FOR SPEAKER**
- (71) Applicant: **YAMAHA CORPORATION**,  
Hamamatsu-shi (JP)
- (72) Inventors: **Masafumi Ito**, Hamamatsu (JP); **Yves Plattard**, Hamamatsu (JP)
- (73) Assignee: **YAMAHA CORPORATION**,  
Hamamatsu-shi, Shizuoka (JP)
- (\*\*) Term: **15 Years**
- (21) Appl. No.: **29/634,444**
- (22) Filed: **Jan. 22, 2018**
- (51) **LOC (11) Cl.** ..... **14-03**
- (52) **U.S. Cl.**  
USPC ..... **D14/217**
- (58) **Field of Classification Search**  
USPC ..... D14/217, 204, 210–216, 219–222, 168,  
D14/135  
CPC ..... H04R 2420/07; H04R 5/02; H04R 5/04;  
H04R 2420/01; H04R 3/00; H04R 3/12;  
H04R 1/025; H04R 1/028; H04R 1/105;  
H04R 1/24; H04R 2201/028; H04R  
2205/024; H04R 2227/003; H04R  
2499/15; H04R 27/00; H04R 3/005;  
H04R 3/14; H04R 17/02; H04R 1/02;  
H04R 1/021; H04R 1/023; H04R 1/04;  
H04R 1/06; H04R 1/1008; H04R 1/1016;  
H04R 1/1041; H04R 1/1066; H04R  
1/1075; H04R 1/1083; H04R 1/1091;  
H04R 1/26; H04R 1/2803; H04R 1/345;  
H04R 1/403; H04R 1/406; H04R  
2201/021; H04R 2201/023; H04R  
2201/10; H04R 2201/105; H04R  
2201/401; H04R 2201/403; H04R  
2201/405; H04R 2203/12; H04R 2225/43;  
H04R 2227/005; H04R 2400/01; H04R  
2400/03; H04R 2420/03; H04R 2420/05;  
H04R 2420/09; H04R 2430/01; H04R

2430/03; H04R 2460/13; H04R 25/00;  
H04R 25/353; H04R 29/00; H04R  
29/004; H04R 29/007; H04R 31/00;  
H04R 31/006; H04R 3/04; H04R 5/027;  
H04R 5/033; H04R 5/0335; H04R 9/025;  
H04R 9/06

See application file for complete search history.

(56) **References Cited**

U.S. PATENT DOCUMENTS

D51,196 S *	8/1917	Baker .....	D6/524
5,314,668 A *	5/1994	Biermaier .....	E05B 1/0069 134/104.1
D402,528 S *	12/1998	Brucker .....	D8/313
D433,012 S *	10/2000	Arsenault .....	D14/221
D574,364 S *	8/2008	Anthony .....	D14/217
D682,255 S *	5/2013	Lum .....	D14/217

(Continued)

*Primary Examiner* — Khawaja Anwar

(74) *Attorney, Agent, or Firm* — Sughrue Mion, PLLC

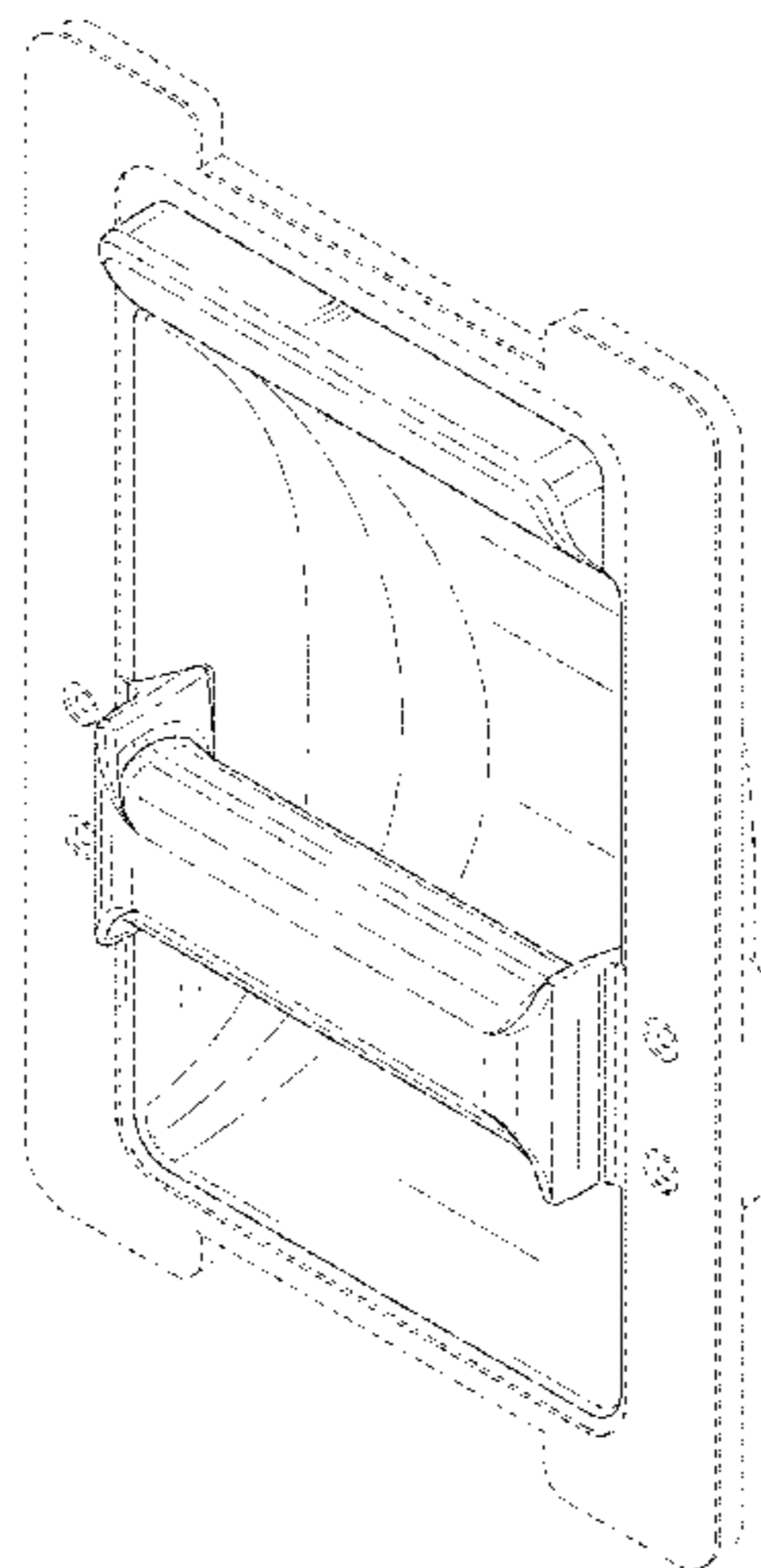
(57) **CLAIM**

The ornamental design for a handle for speaker, as shown and described.

**DESCRIPTION**

FIG. 1 is a front, top and right side perspective view of a handle for speaker, showing my new design;  
 FIG. 2 is a front view thereof;  
 FIG. 3 is a rear view thereof;  
 FIG. 4 is a right side view thereof;  
 FIG. 5 is a top view thereof;  
 FIG. 6 is a bottom view thereof; and,  
 FIG. 7 is a cross sectional view at 9-9 shown in FIG. 2.  
 The left side view is a mirror image of the right side view. The broken line showing of the handle for speaker is included for the purpose of illustrating portions of the handle for speaker and forms no part of the claimed design.

**1 Claim, 6 Drawing Sheets**



(56)

**References Cited**

U.S. PATENT DOCUMENTS

D701,853 S \* 4/2014 Wilson ..... D14/214  
D764,444 S \* 8/2016 Sulzer ..... D14/210

\* cited by examiner

Fig. 1

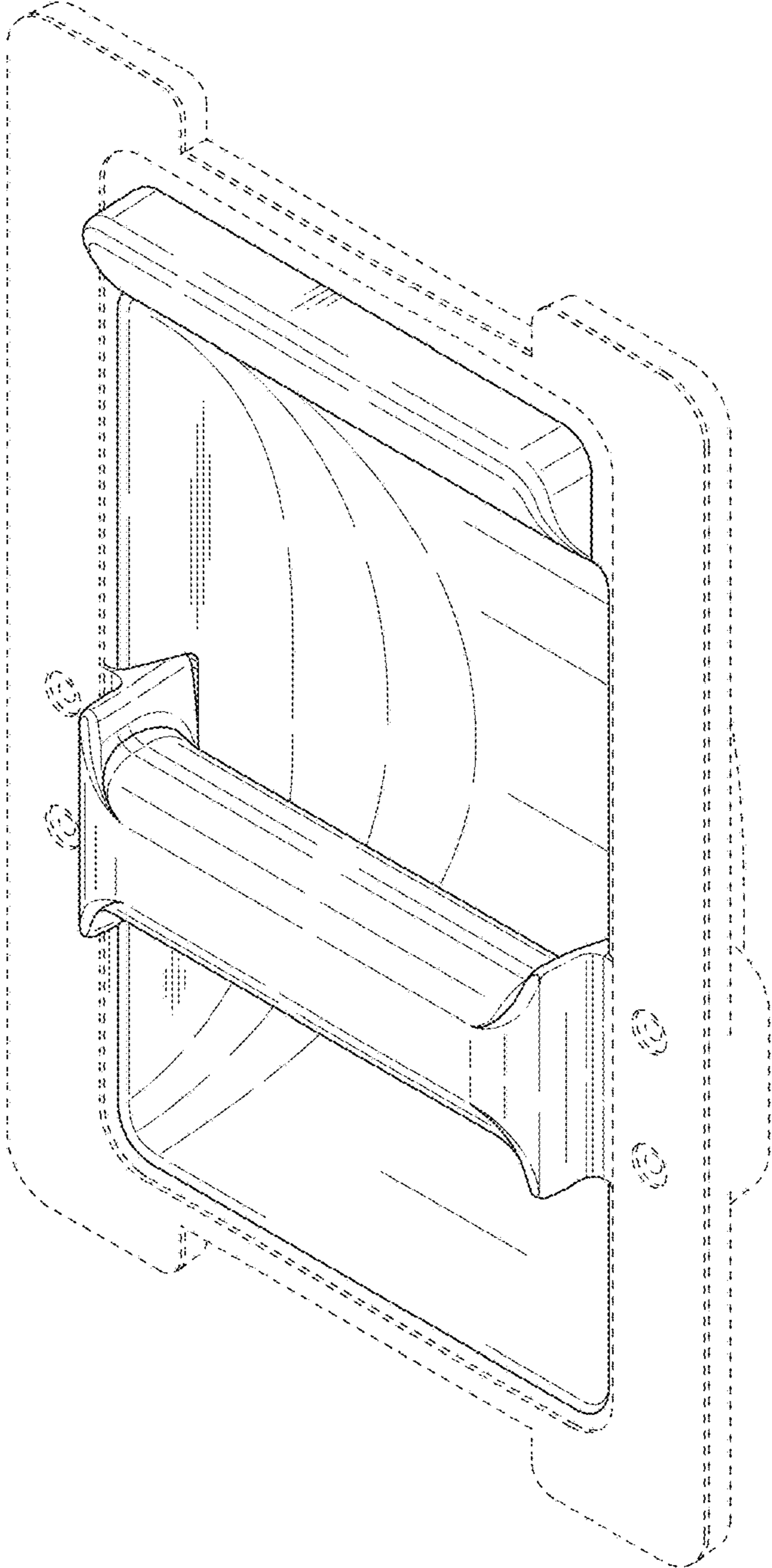


Fig. 2

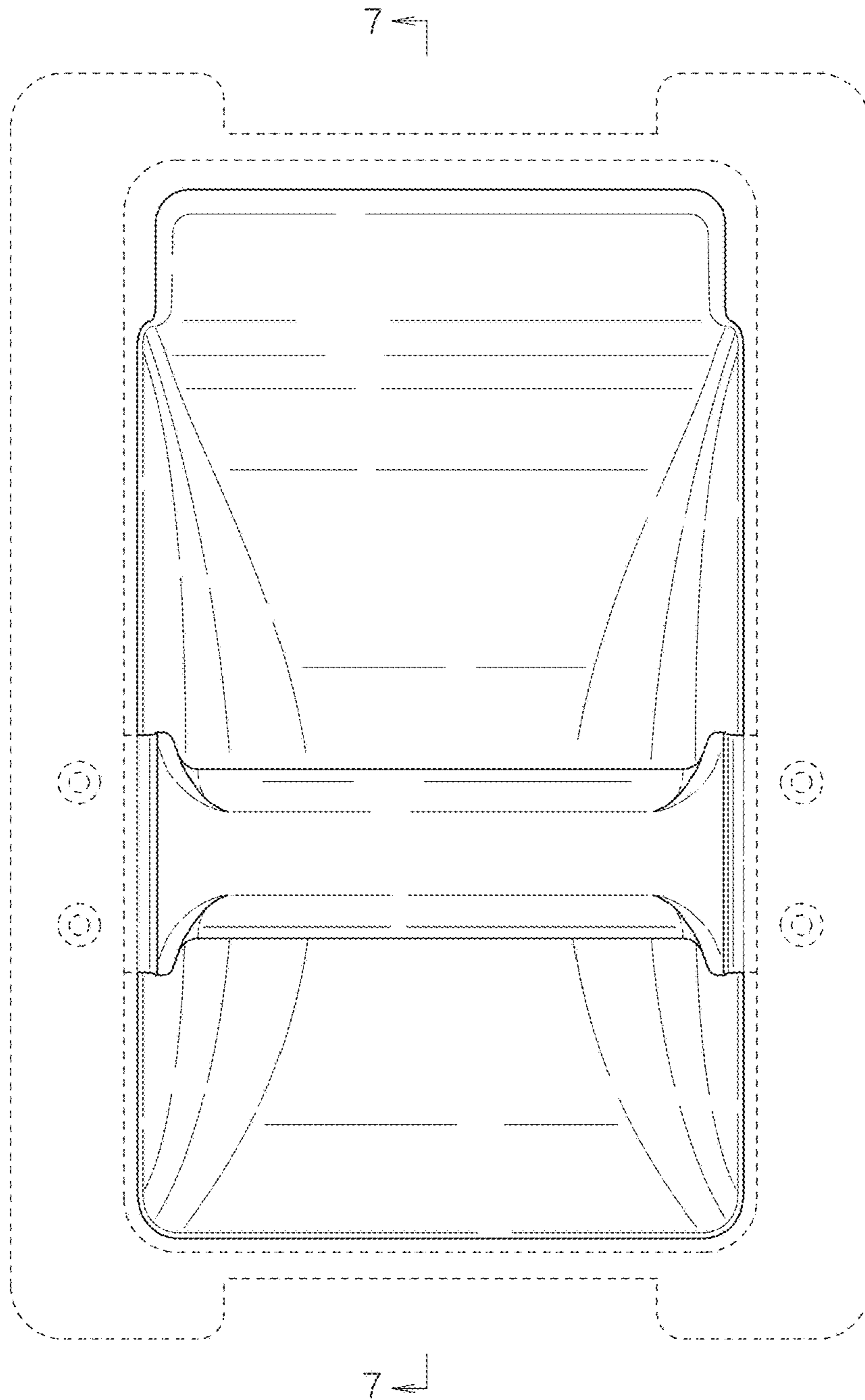


Fig. 3

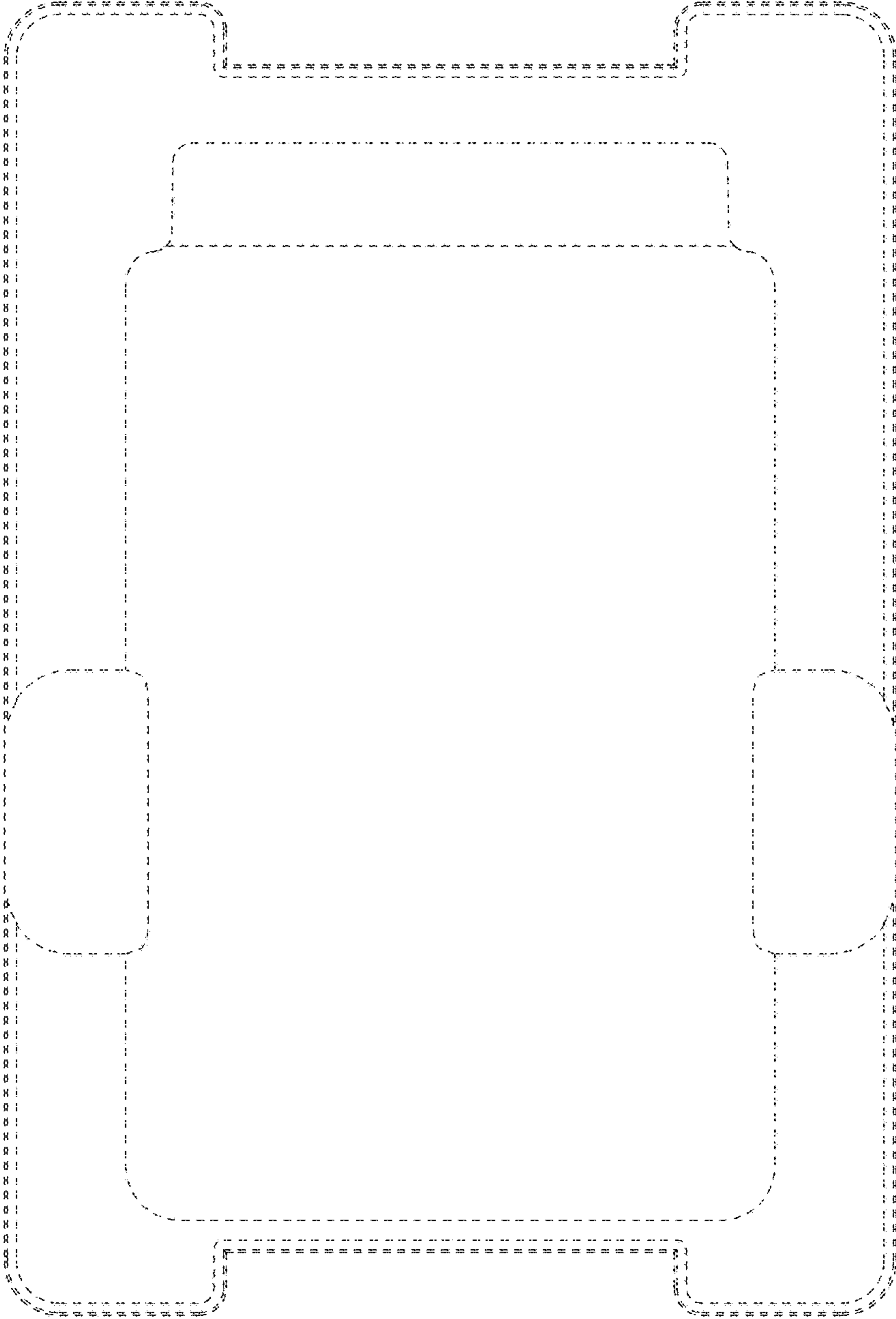


Fig. 4

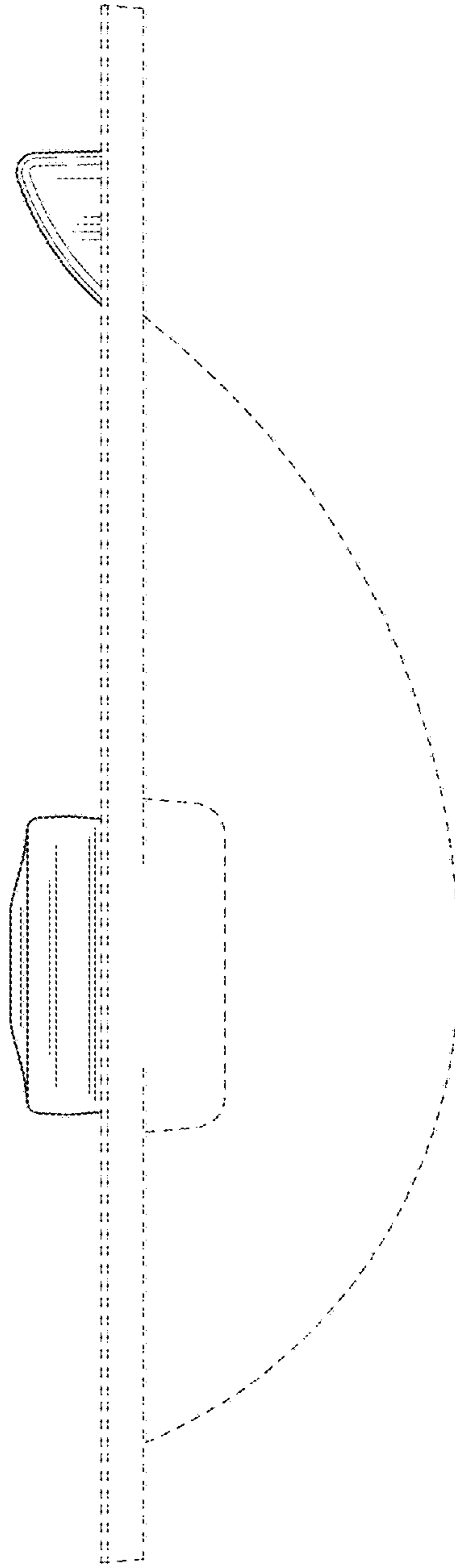


Fig. 5

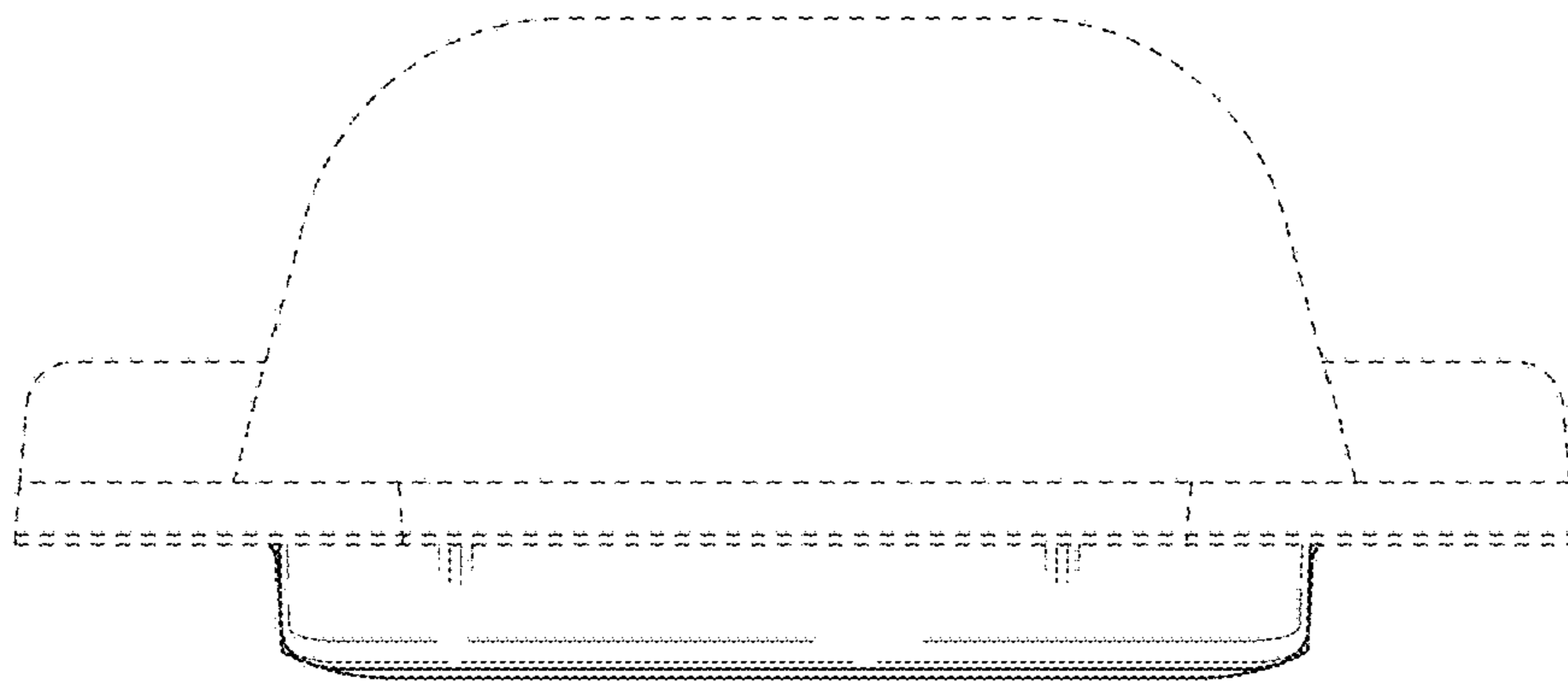


Fig. 6

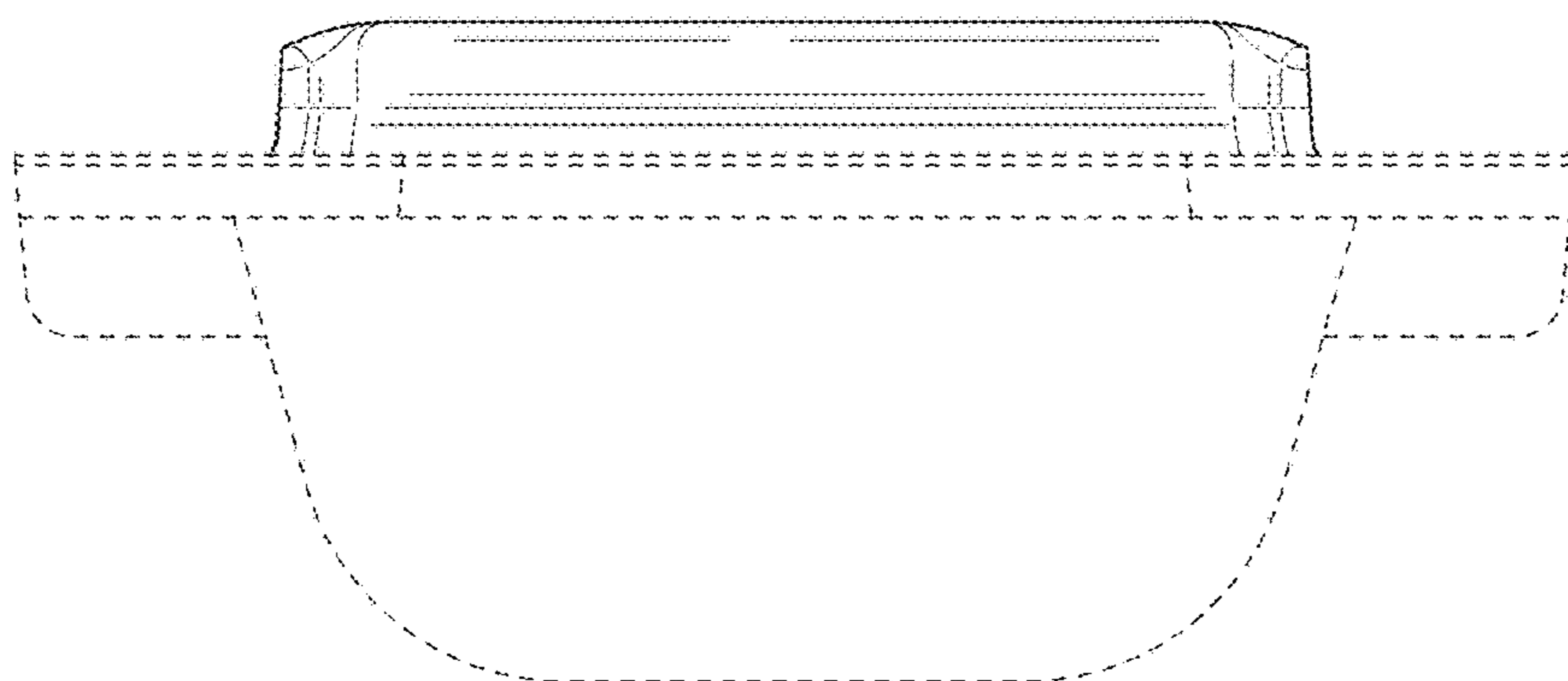


Fig. 7

