

US00D847122S

(12) **United States Design Patent**
Messadek

(10) **Patent No.:** **US D847,122 S**

(45) **Date of Patent:** **** Apr. 30, 2019**

(54) **AUDIO CONNECTOR**

(71) Applicant: **Karim Messadek**, Paris (FR)

(72) Inventor: **Karim Messadek**, Paris (FR)

(**) Term: **15 Years**

(21) Appl. No.: **29/627,289**

(22) Filed: **Nov. 25, 2017**

(51) **LOC (11) Cl.** **14-03**

(52) **U.S. Cl.**
USPC **D14/217**

(58) **Field of Classification Search**
USPC D14/217; D13/110, 118, 123, 133, 148,
D13/154, 173, 184, 199; D8/323, 325,
D8/356, 105, 107, 337, 349, 357, 373,
D8/383, 397, 399, 394
CPC H01R 4/489; H01R 24/00; H01R 29/00;
H01R 24/04; G02B 6/38; G03B 17/56;
A45F 3/14; A45F 5/00
See application file for complete search history.

(56) **References Cited**

U.S. PATENT DOCUMENTS

D328,280 S * 7/1992 Lee D13/133
D451,073 S * 11/2001 Yasuda D13/133
6,406,313 B1 * 6/2002 Victor H01R 27/00
439/175
6,595,792 B1 * 7/2003 Rudolph H01R 13/6397
439/147
D481,678 S * 11/2003 Griffin D13/133
D508,466 S * 8/2005 Dobler D13/154

D531,991 S * 11/2006 Chau D14/217
D546,285 S * 7/2007 Ledbetter D13/133
D574,365 S * 8/2008 Andre D14/217
D601,567 S * 10/2009 Lau D13/154
D633,477 S * 3/2011 Lorenzo D11/200
D633,774 S * 3/2011 Spragg D8/323
D649,010 S * 11/2011 Spragg D8/323
D649,430 S * 11/2011 Spragg D8/323
D736,158 S * 8/2015 Rayner D13/133
D775,683 S * 1/2017 Shipard D13/133
2015/0055917 A1 * 2/2015 Liu G02B 6/3816
385/94

* cited by examiner

Primary Examiner — Khawaja Anwar

(74) *Attorney, Agent, or Firm* — Patentfile, LLC; Bradley
C. Fach

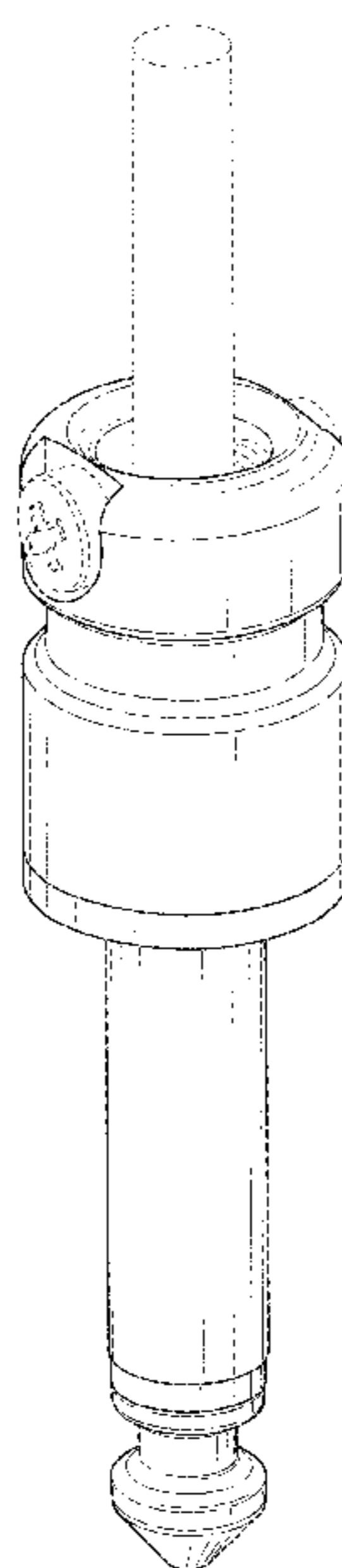
(57) **CLAIM**

The ornamental design for an audio connector, as shown and described.

DESCRIPTION

FIG. 1 is a front perspective view showing the new, original, and ornamental design of an audio connector;
FIG. 2 is a front elevation view thereof, the rear side being a mirror image;
FIG. 3 is a right side elevation view thereof, the left side being a mirror image;
FIG. 4 is a bottom side plan view thereof; and,
FIG. 5 is a top side plan view thereof.
The broken lines shown in the drawings represent environmental subject matter and form no part of the claimed design.

1 Claim, 3 Drawing Sheets



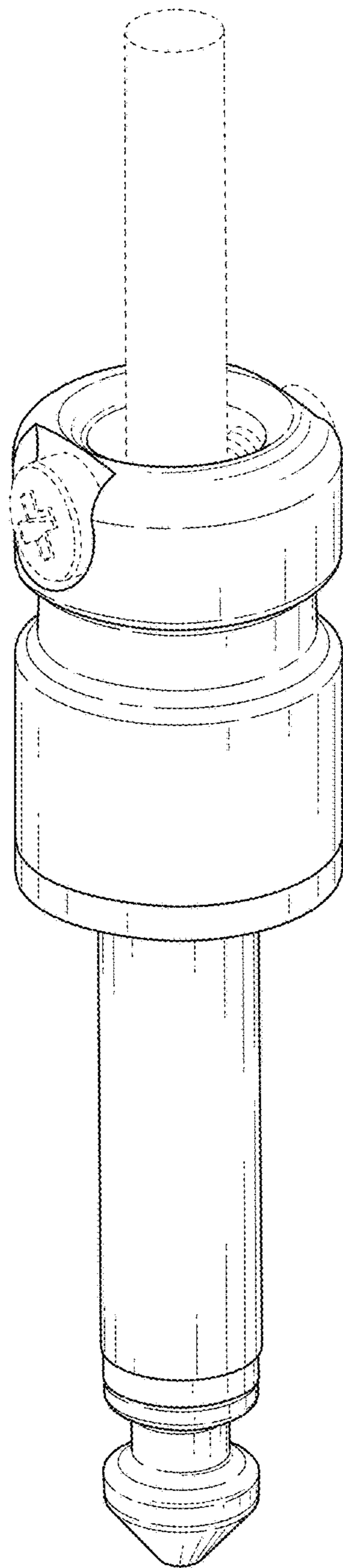


FIG. 1

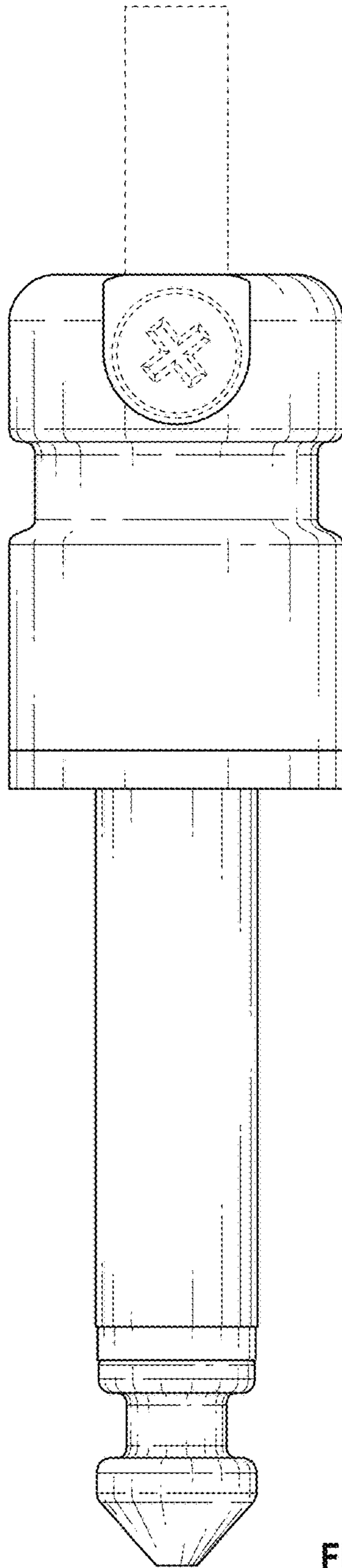


FIG. 2

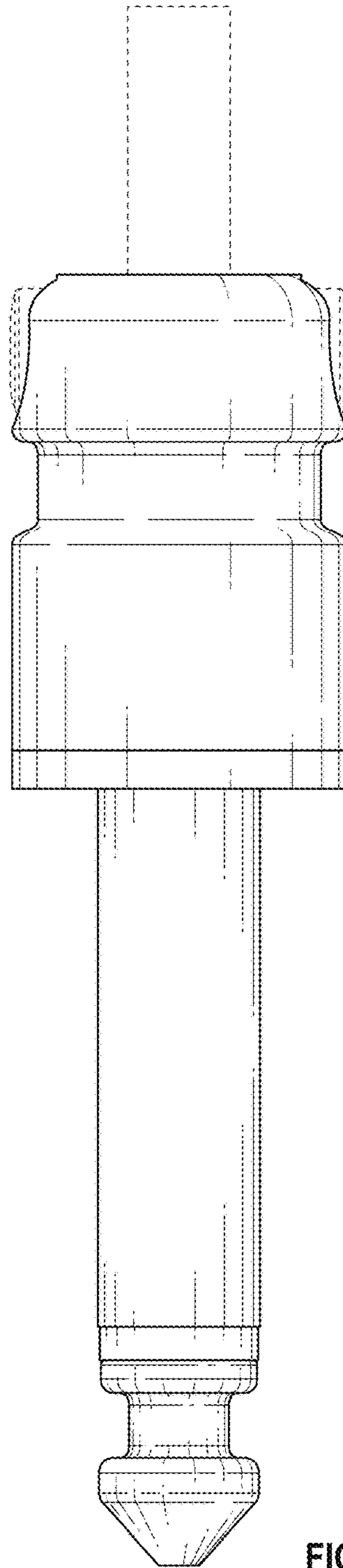


FIG. 3

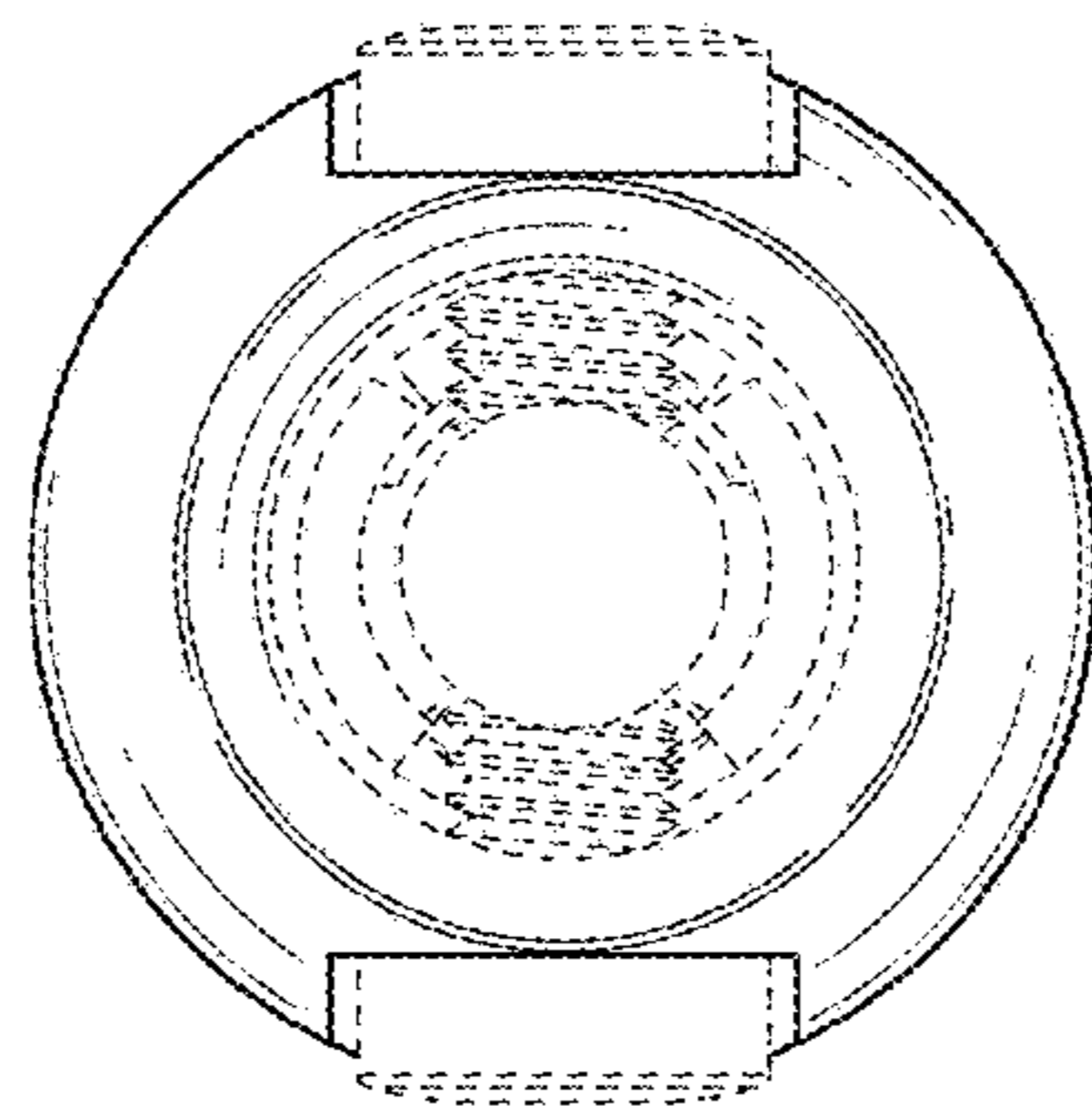


FIG. 4

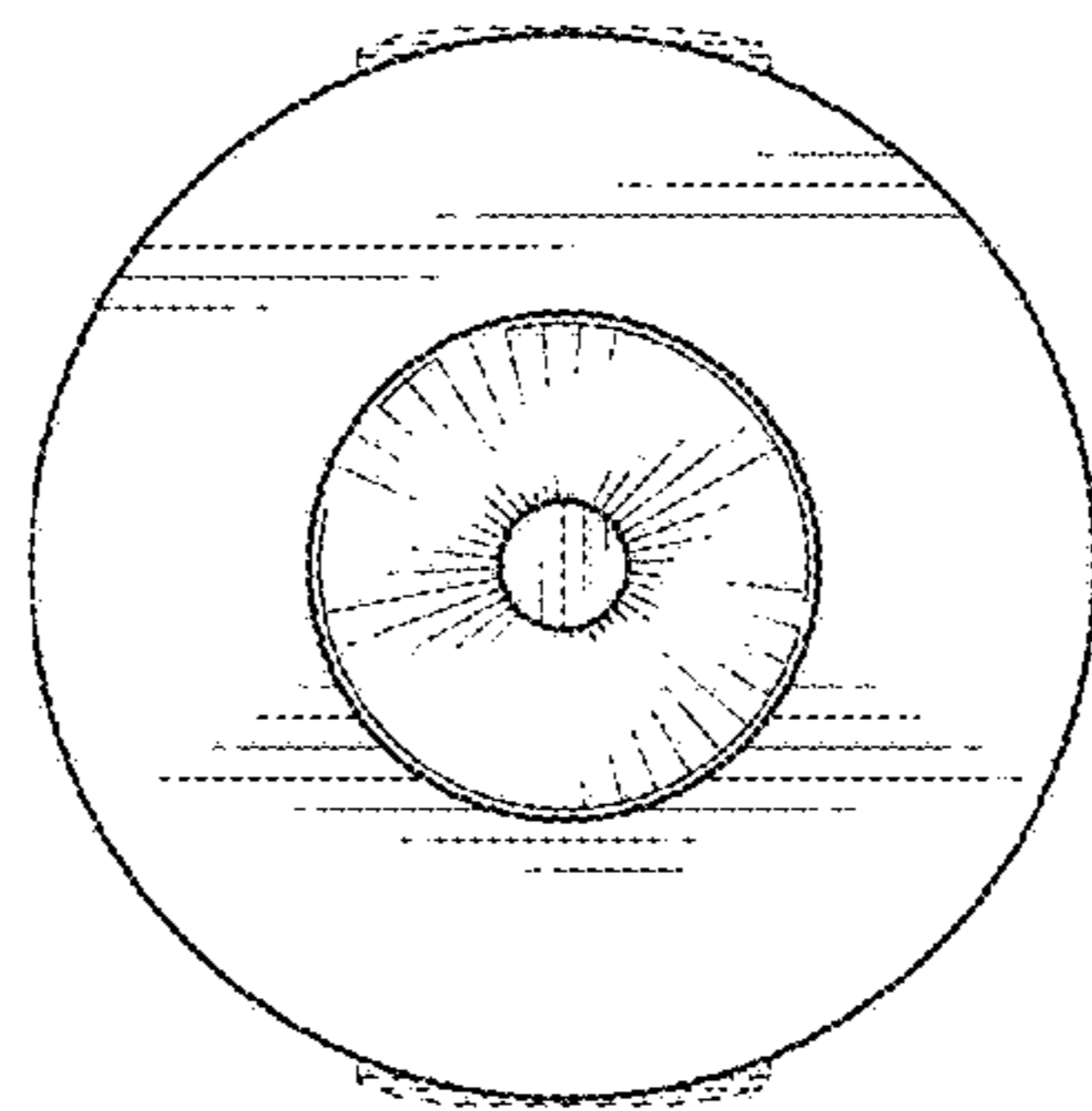


FIG. 5