



US00D847121S

(12) **United States Design Patent** (10) **Patent No.:** **US D847,121 S**
Sunwoo et al. (45) **Date of Patent:** **** Apr. 30, 2019**

(54) **WIRELESS MICROPHONE RECEIVER**

29/001; H04R 29/004; H04R 29/005;
H04R 3/002; H04R 3/005; H04R 3/007;
H04R 5/04; H04R 7/06; H04R 7/12;
H04R 7/20

(71) Applicant: **Freedman Electronics Pty Limited,**
Silverwater (AU)

See application file for complete search history.

(72) Inventors: **Sun Kyung Sunwoo,** Silverwater (AU);
Samuel Dean Trewartha, Silverwater
(AU); **Jonathan Mark Woodcock,**
Silverwater (AU)

(56) **References Cited**

U.S. PATENT DOCUMENTS

(73) Assignee: **Freedman Electronics PTY Limited,**
Silverwater (AU)

D565,537 S *	4/2008	Teulie	D14/188
D590,831 S *	4/2009	Evans	D14/432
D742,856 S *	11/2015	Skjoldborg	D14/217
D793,355 S *	8/2017	Teulie	D14/188
D811,370 S *	2/2018	Honda	D14/217

(**) Term: **15 Years**

(21) Appl. No.: **29/610,533**

OTHER PUBLICATIONS

(22) Filed: **Jul. 13, 2017**

RODELink Performer Kit, available at www.rode.com/wireless/performer, accessed on Oct. 5, 2018.

(30) **Foreign Application Priority Data**

Jan. 13, 2017 (AU) 201710173

(51) **LOC (11) Cl.** **14-03**

(52) **U.S. Cl.**
USPC **D14/217**

(58) **Field of Classification Search**
USPC D14/217, 204, 207, 209, 210, 211, 212,
D14/213, 214, 215, 216, 221, 222, 224
CPC H04R 2201/003; H04R 2420/07; H04R
3/12; H04R 27/00; H04R 9/08; H04R
19/04; H04R 1/1016; H04R 1/2857;
H04R 2410/03; H04R 2499/11; H04R
31/00; H04R 17/00; H04R 19/005; H04R
19/016; H04R 1/026; H04R 1/04; H04R
1/08; H04R 1/1008; H04R 1/1041; H04R
1/1075; H04R 1/1083; H04R 1/24; H04R
1/2834; H04R 1/2846; H04R 1/2892;
H04R 1/323; H04R 1/406; H04R
2225/33; H04R 2225/41; H04R 2225/49;
H04R 2410/01; H04R 2430/01; H04R
2460/03; H04R 25/453; H04R 25/505;
H04R 25/554; H04R 25/606; H04R

* cited by examiner

Primary Examiner — Khawaja Anwar

(74) *Attorney, Agent, or Firm* — Cooper & Dunham LLP

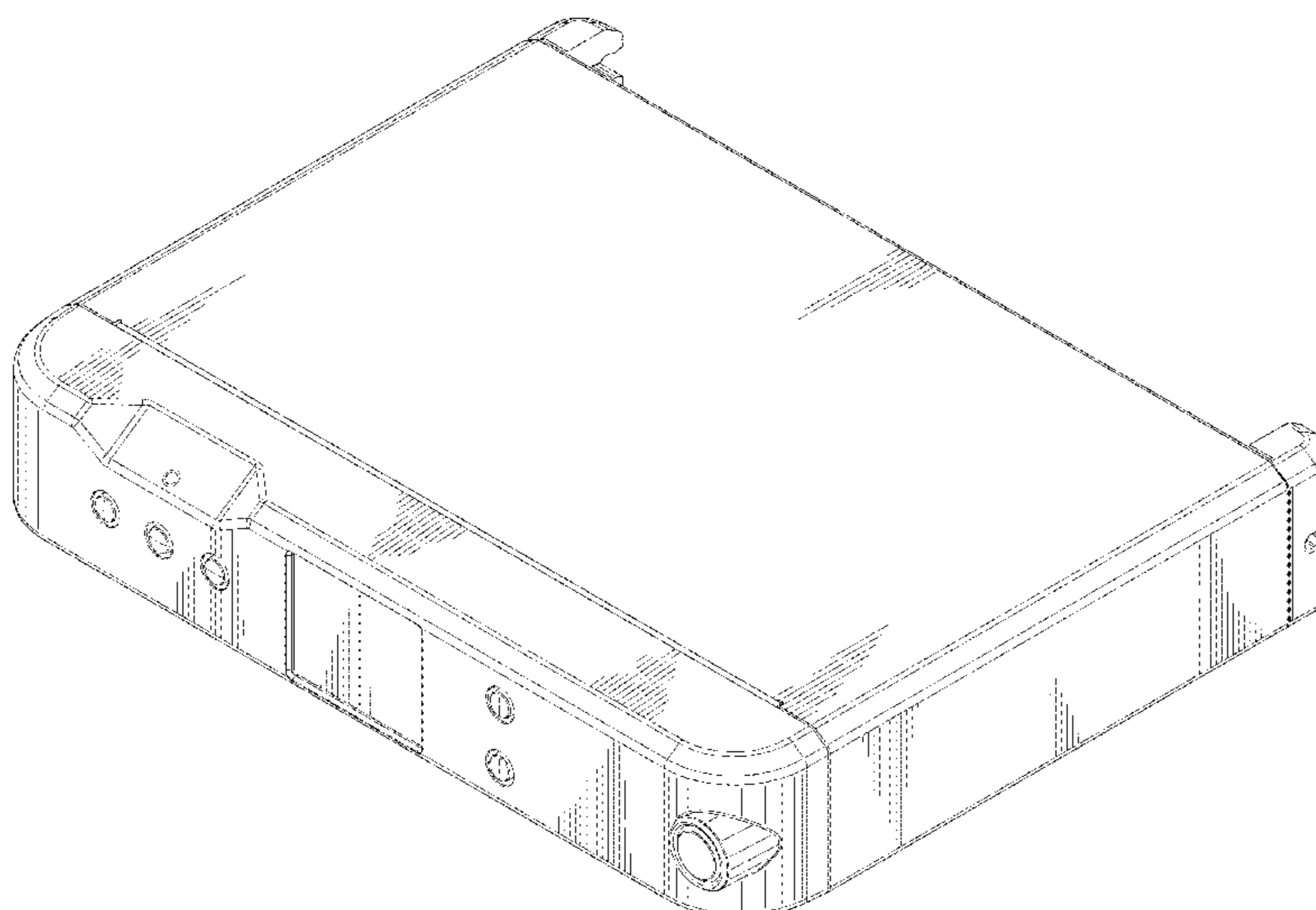
(57) **CLAIM**

We claim the ornamental design for a wireless microphone receiver, as shown and described.

DESCRIPTION

FIG. 1 is a front perspective view of a wireless microphone receiver;
FIG. 2 is a further front perspective view thereof;
FIG. 3 is a top plan view thereof;
FIG. 4 is a front elevational view thereof;
FIG. 5 is a right side elevational view thereof; and,
FIG. 6 is a left side elevational view thereof.
The broken lines are for illustrative purposes only and form no part of the claimed design. The shading represents contour of the claimed design.

1 Claim, 6 Drawing Sheets



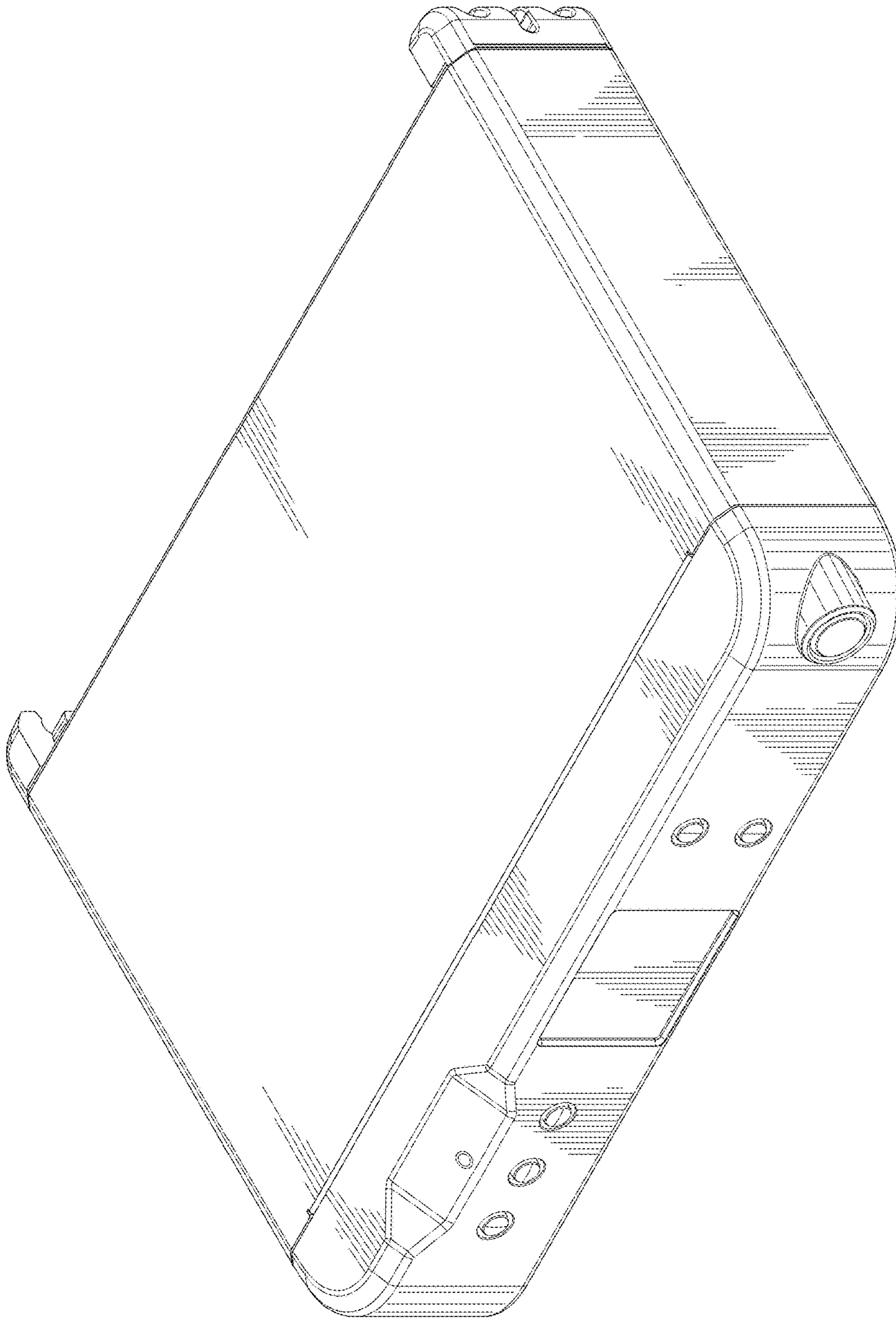


FIG. 1

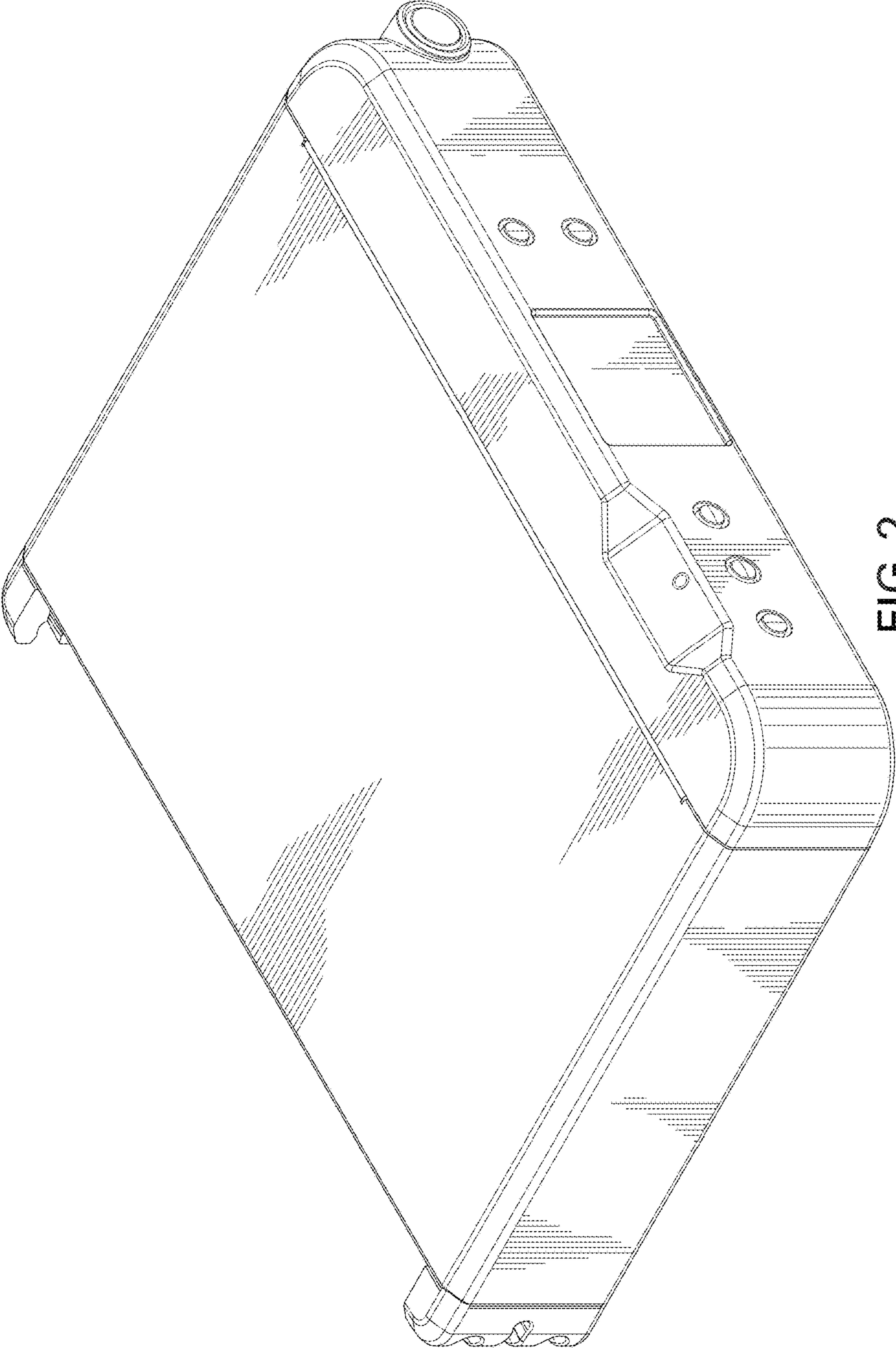


FIG. 2

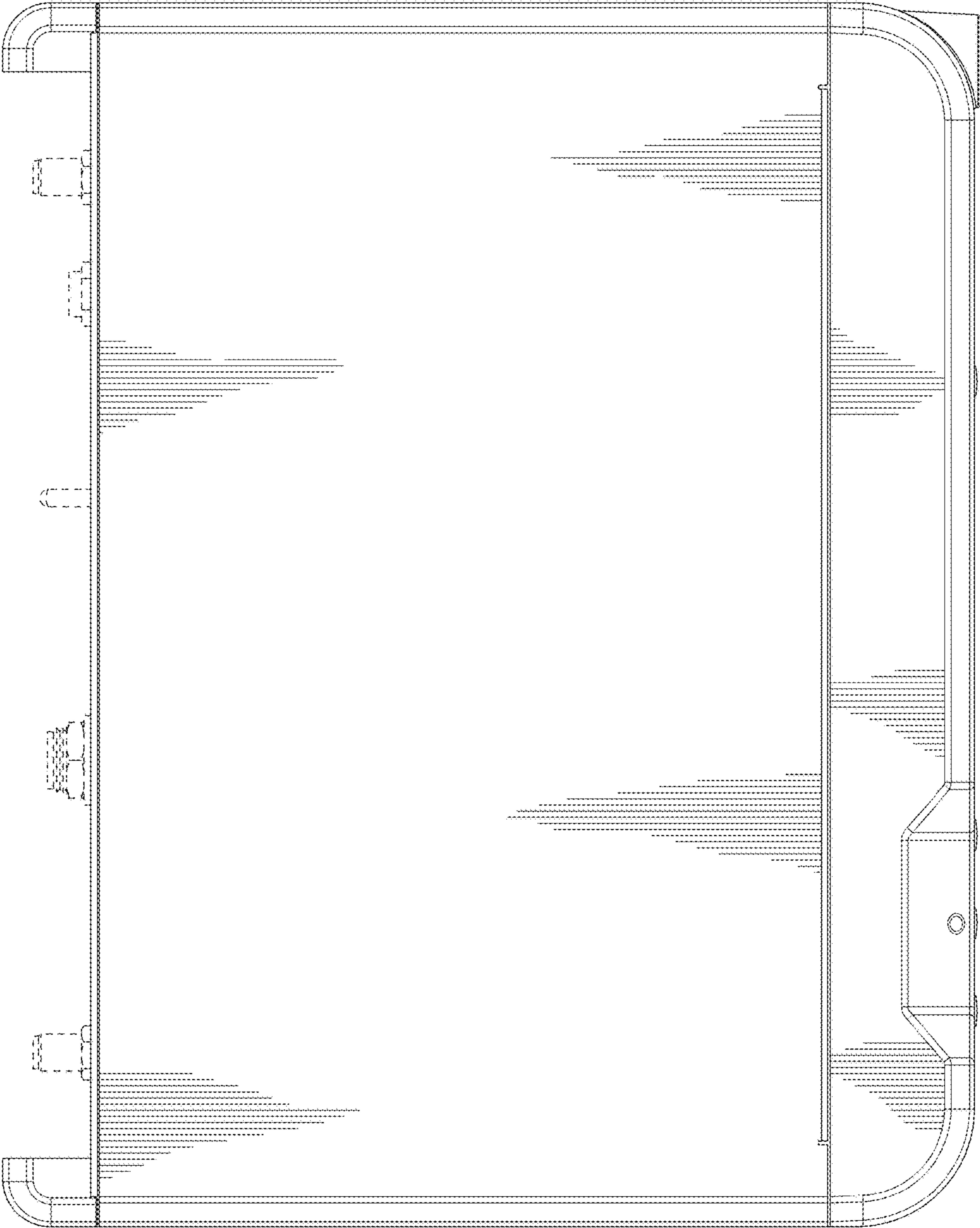


FIG. 3

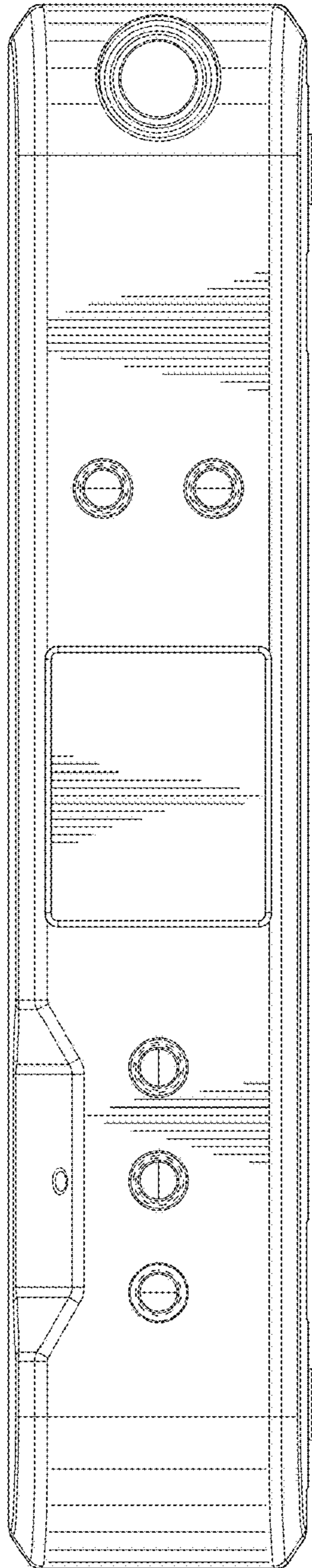


FIG. 4

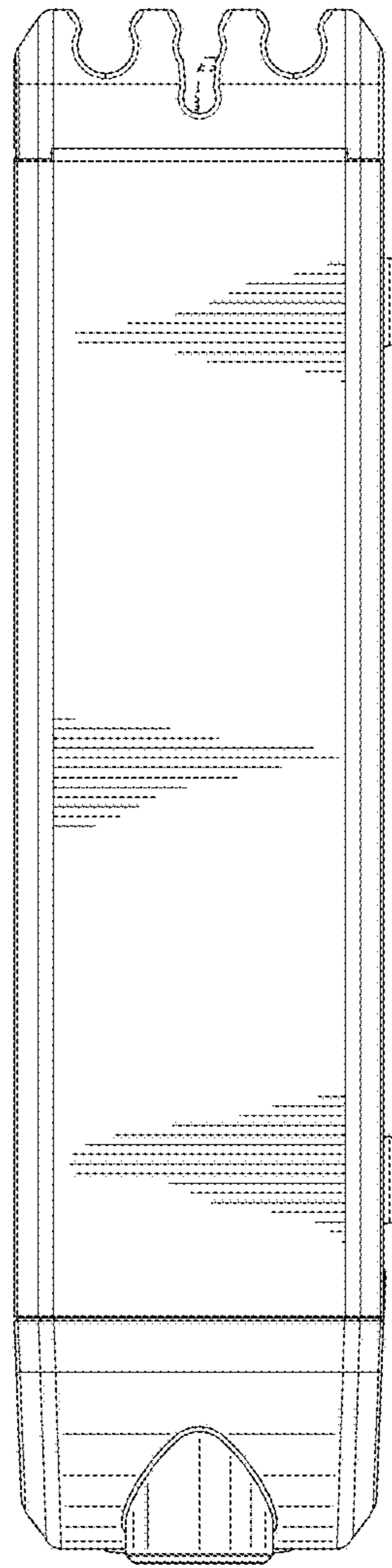


FIG. 5

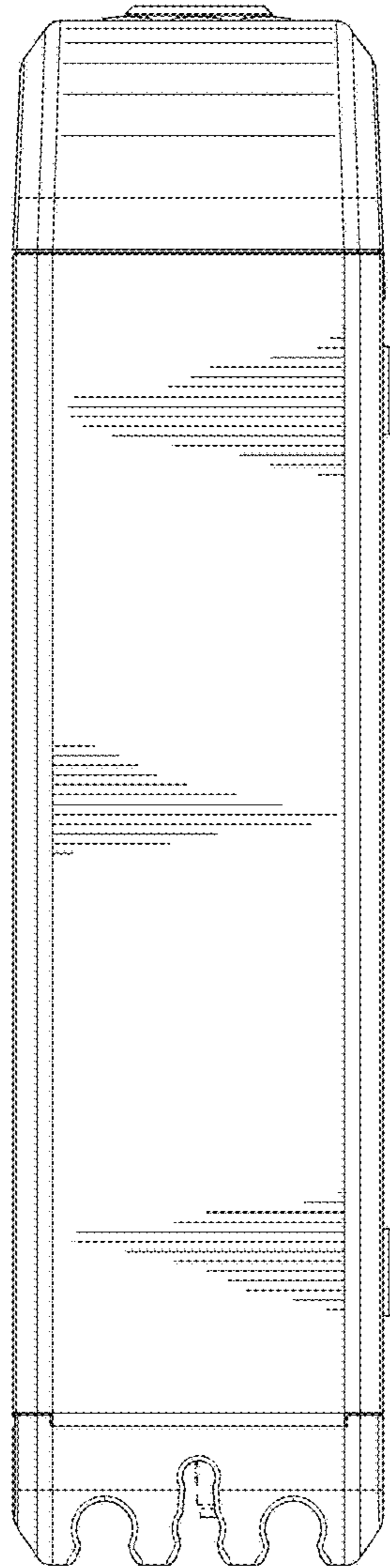


FIG. 6