



US00D847119S

(12) **United States Design Patent**
Theisen et al.

(10) **Patent No.:** **US D847,119 S**

(45) **Date of Patent:** **** Apr. 30, 2019**

- (54) **SPEAKER MOUNT INTERFACE**
- (71) Applicant: **Milestone AV Technologies LLC**, Eden Prairie, MN (US)
- (72) Inventors: **Gina Theisen**, Eden Prairie, MN (US);
Justin Kolz, Eden Prairie, MN (US);
Mark Plummer, Eden Prairie, MN (US)
- (73) Assignee: **Milestone AV Technologies LLC**, Eden Prairie, MN (US)
- (**) Term: **15 Years**
- (21) Appl. No.: **29/616,807**
- (22) Filed: **Sep. 8, 2017**
- (51) **LOC (11) Cl.** **14-01**
- (52) **U.S. Cl.**
USPC **D14/209.1**
- (58) **Field of Classification Search**
USPC ... D14/209.1, 224–229, 239, 434, 451, 452;
D16/244; D17/99; D6/681; 248/125.1,
248/166, 185.1; 381/355, 359, 361–363,
381/365, 366, 369, 375; 379/428.01,
379/428.04, 431, 433.03
CPC . H04R 25/00; H04R 1/02; H04R 5/02; H04R
9/08; F16M 11/38; F16M 13/00; F16M
11/00
See application file for complete search history.

- D618,693 S * 6/2010 Huang D14/451
- D645,843 S * 9/2011 Bolton D14/209.1
- D687,809 S * 8/2013 Bergmann D14/209.1
- D697,051 S * 1/2014 Adams D14/209.1
- D702,244 S * 4/2014 Seo D14/451
- D708,619 S * 7/2014 Sogabe D14/209.1
- D733,160 S * 6/2015 Lee D14/451
- D741,866 S * 10/2015 Ballout D14/434
- D749,083 S * 2/2016 Senoff D14/451
- D758,375 S * 6/2016 Won D14/451
- D805,522 S * 12/2017 Won D14/451

* cited by examiner

Primary Examiner — Katie Jane Stofko

(74) *Attorney, Agent, or Firm* — Patterson Thuent Pedersen, P.A.

(57) **CLAIM**

The ornamental design for a speaker mount interface, as shown and described.

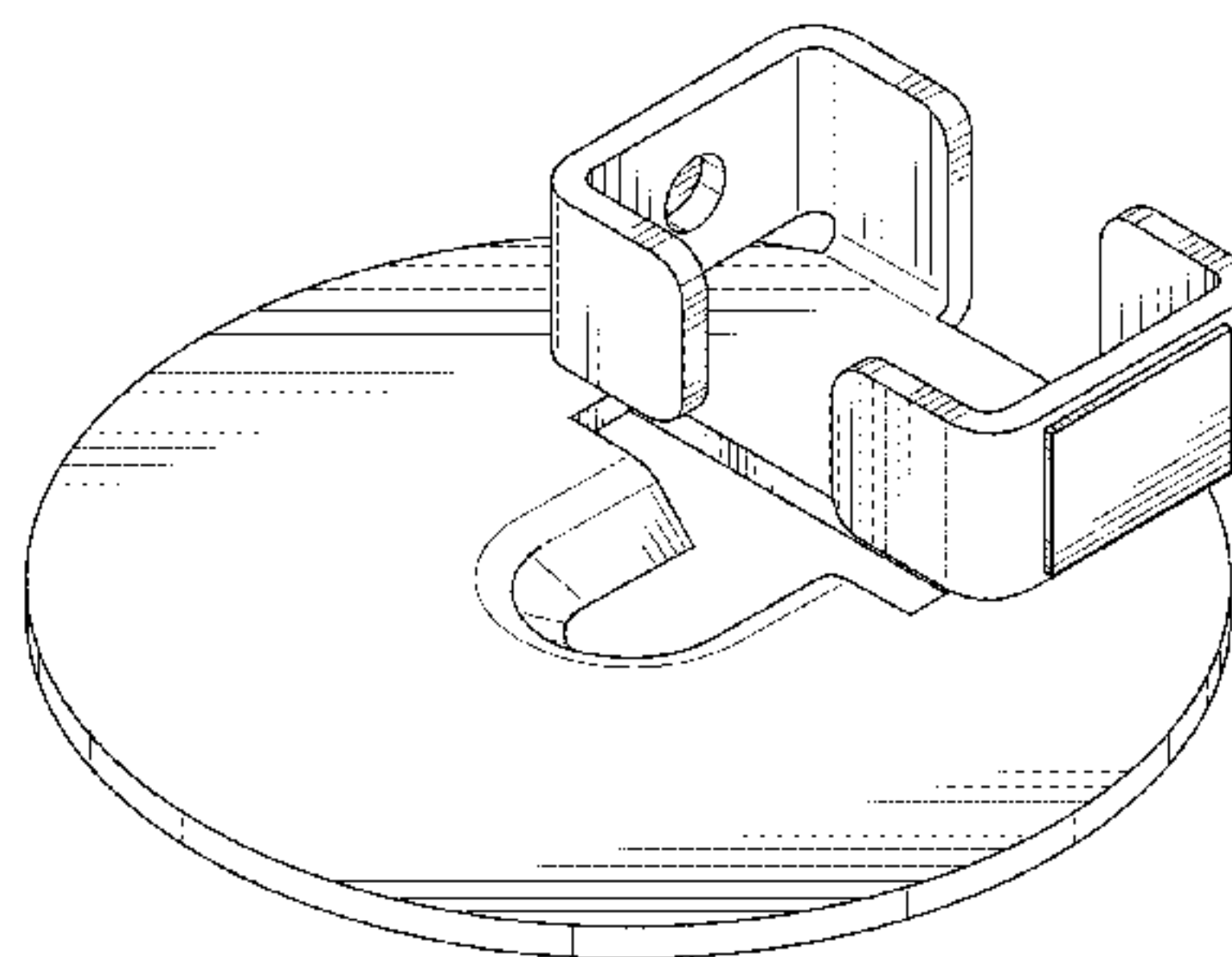
DESCRIPTION

FIG. 1 is a front isometric view of a speaker mount interface according to the invention;
 FIG. 2 is a side elevation view of the speaker mount interface depicted in FIG. 1;
 FIG. 3 is an opposing side elevation view of the speaker mount interface depicted in FIG. 1;
 FIG. 4 is a front elevation view of the speaker mount interface depicted in FIG. 1;
 FIG. 5 is a rear elevation view of the speaker mount interface depicted in FIG. 1;
 FIG. 6 is a top plan view of the speaker mount interface depicted in FIG. 1; and,
 FIG. 7 is a bottom plan view of the speaker mount interface depicted in FIG. 1.

1 Claim, 5 Drawing Sheets

(56) **References Cited**
U.S. PATENT DOCUMENTS

- D547,755 S * 7/2007 Wang D14/239
- D617,801 S * 6/2010 Chang D14/451



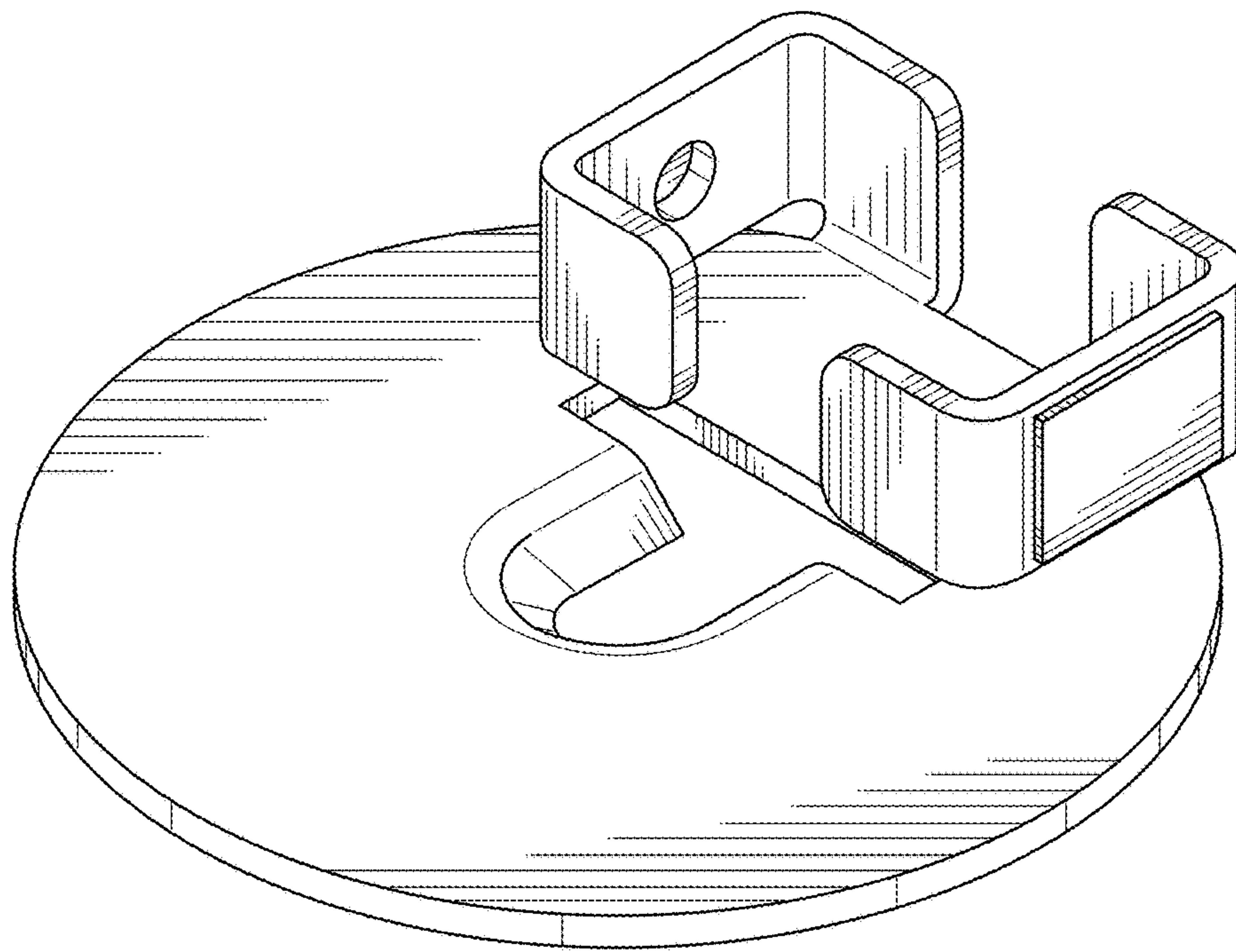


FIG. 1

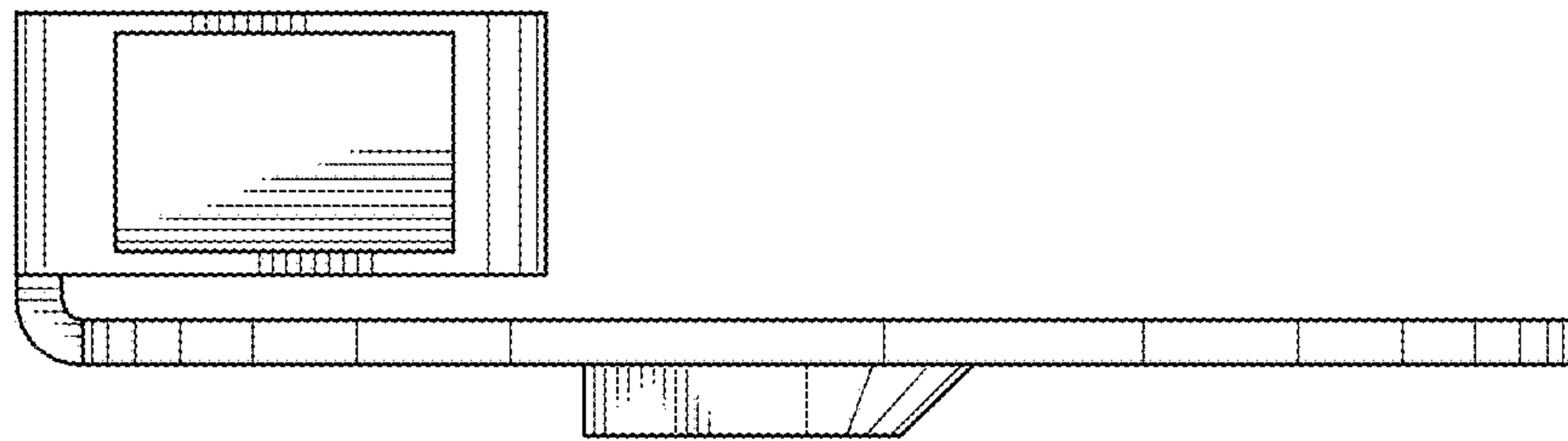


FIG. 2

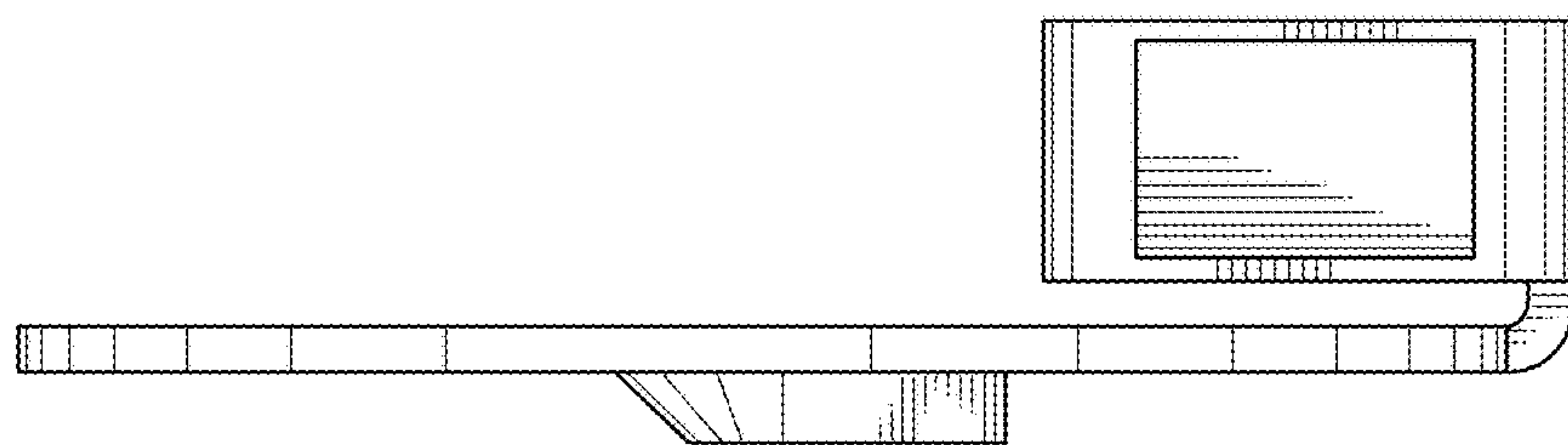


FIG. 3

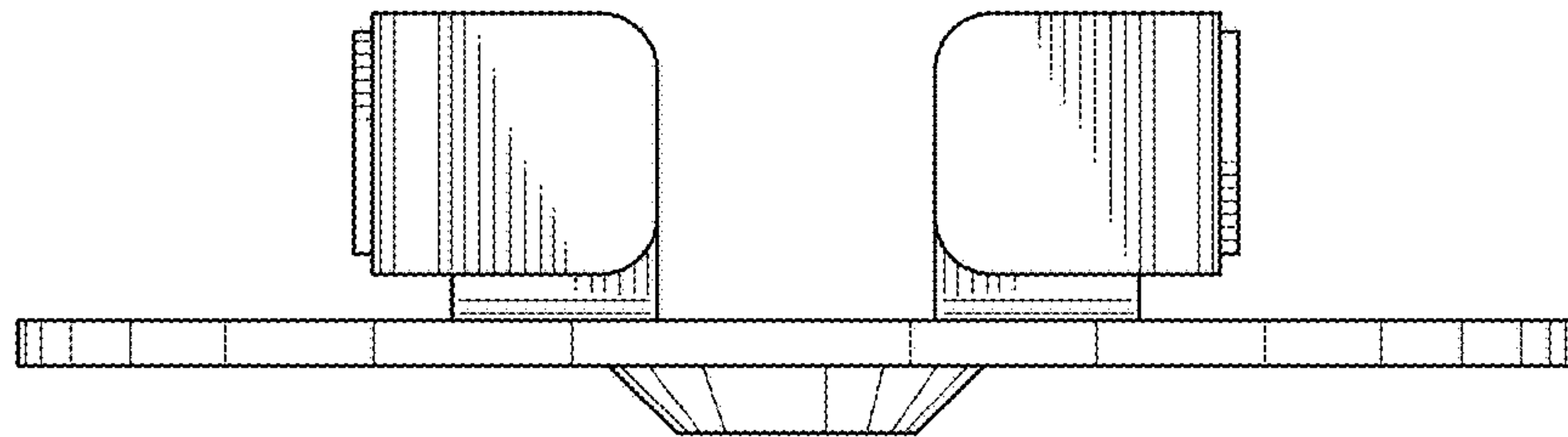


FIG. 4

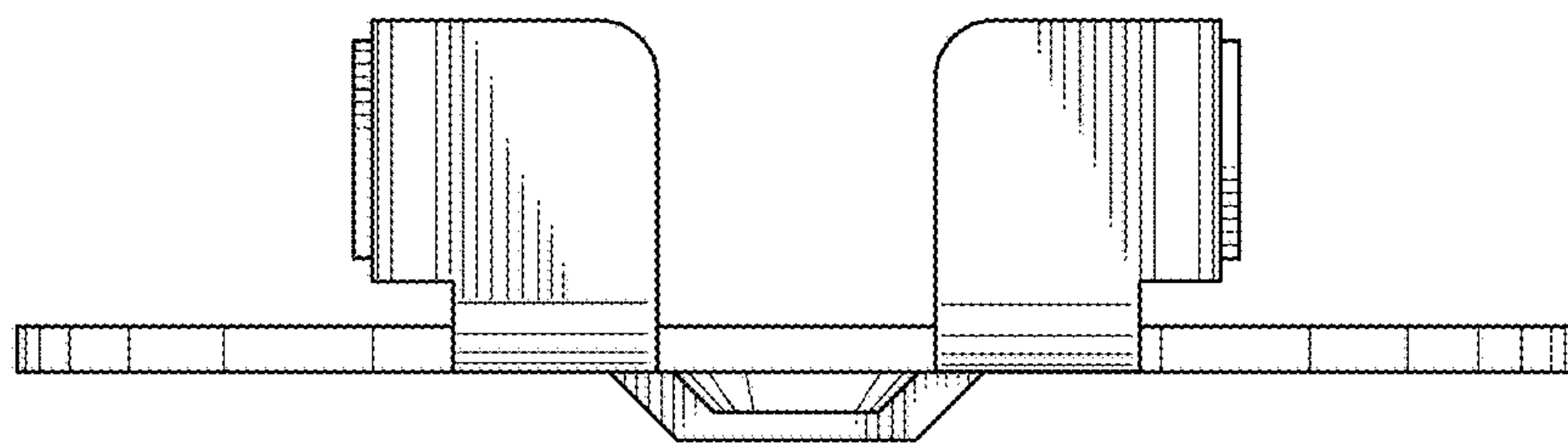


FIG. 5

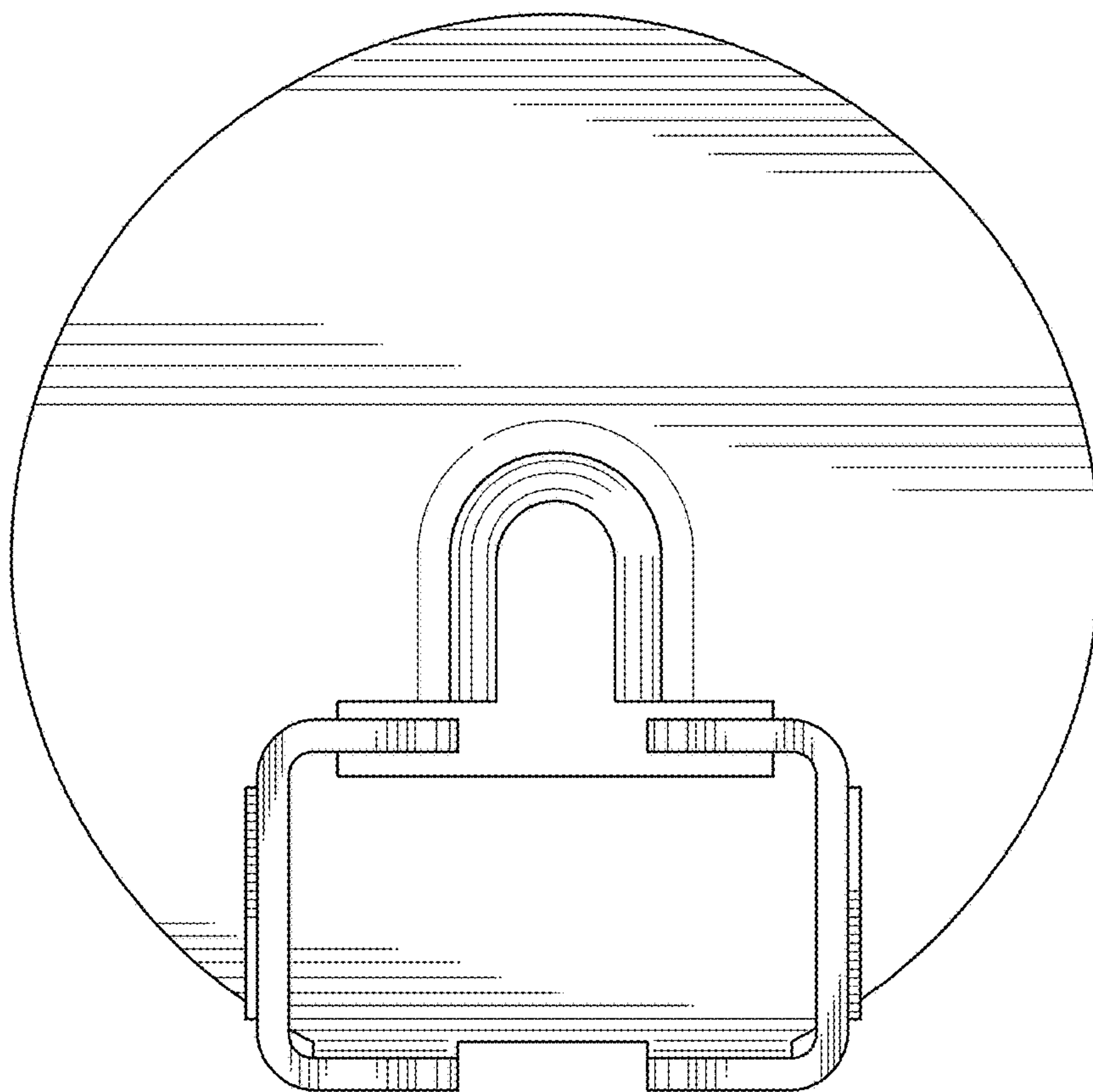


FIG. 6

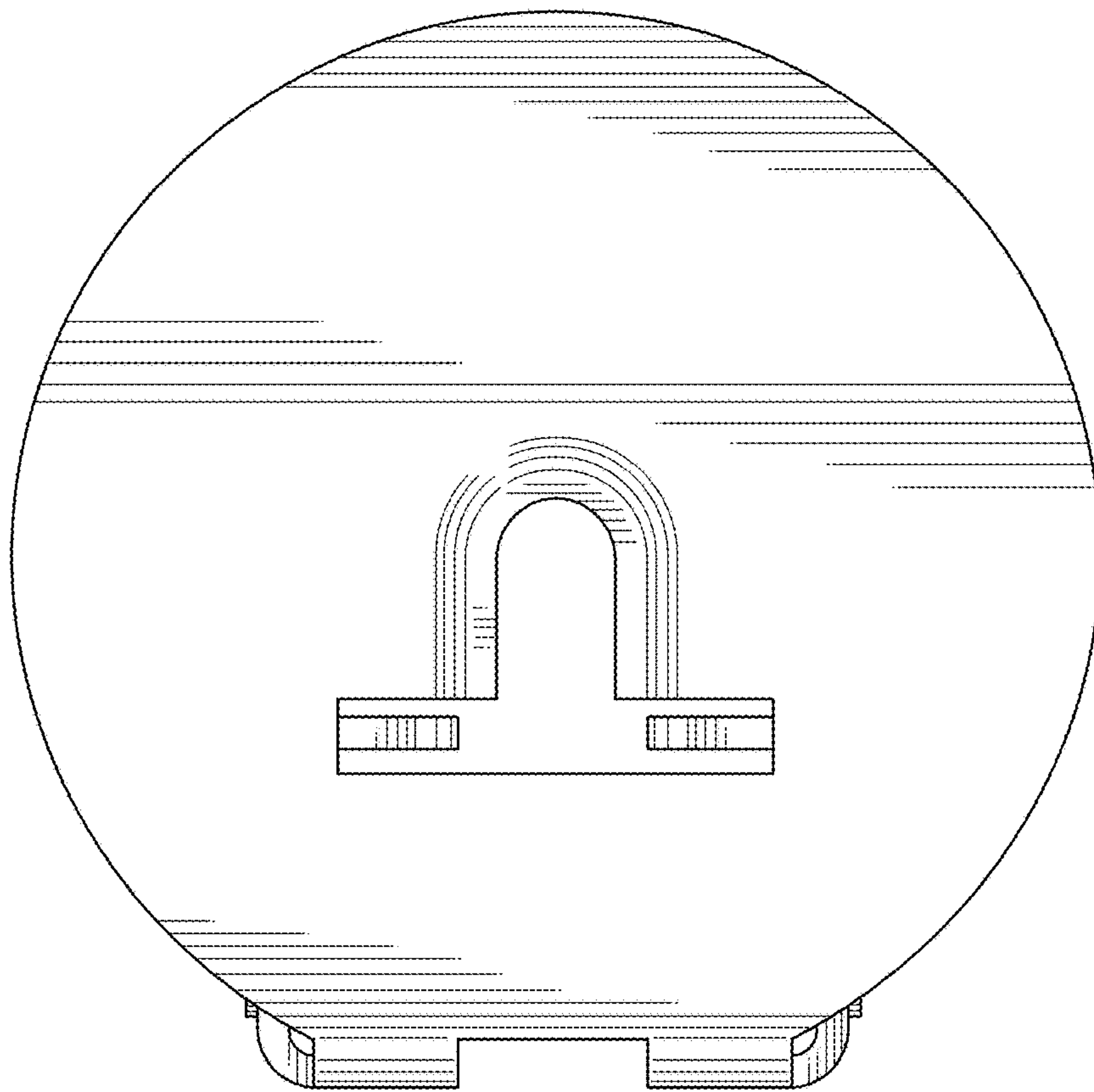


FIG. 7