



US00D847116S

(12) **United States Design Patent**
Silva et al.

(10) **Patent No.:** **US D847,116 S**

(45) **Date of Patent:** **** *Apr. 30, 2019**

(54) **EARPIECE**

(71) Applicant: **Bose Corporation**, Framingham, MA (US)

(72) Inventors: **Mitchell Joseph Silva**, Groton, MA (US); **Kevin M. Krauss**, Sudbury, MA (US); **Harsh Anilkant Mankodi**, Brighton, MA (US); **Michael Salame**, Newton, MA (US); **Mark R. Bergeron**, Grafton, MA (US); **Eric M. Wallace**, Andover, MA (US)

(73) Assignee: **Bose Corporation**, Framingham, MA (US)

(*) Notice: This patent is subject to a terminal disclaimer.

(**) Term: **15 Years**

(21) Appl. No.: **29/559,242**

(22) Filed: **Mar. 25, 2016**

(51) **LOC (11) Cl.** **14-01**

(52) **U.S. Cl.**
USPC **D14/205**; D14/223

(58) **Field of Classification Search**
USPC D14/204, 205, 209, 223, 224, 225, 188, D14/192, 206, 240; D24/174; 181/129, 181/130, 135; 379/370, 371, 430, 431, 379/446, 449, 454, 455; 381/380, 381
CPC H04R 1/10; H04R 1/1066; H04R 1/1016; H04R 1/105; H04R 25/00; H04R 5/033; H04R 5/0335; H04R 1/1091; H04R 1/1058; H04R 25/02

See application file for complete search history.

(56) **References Cited**

U.S. PATENT DOCUMENTS

2,430,229 A * 11/1947 Kelsey H04R 1/1058
181/130
3,157,245 A * 11/1964 Bernstein H04R 25/652
181/135

D221,442 S * 8/1971 Feingold D24/174
D470,123 S * 2/2003 Hlas D14/205
D521,492 S * 5/2006 Ham D14/205
D529,901 S * 10/2006 Ohta D14/223
D597,084 S * 7/2009 Gondo D14/223
D622,704 S * 8/2010 Fahrendorff D14/223
D641,737 S * 7/2011 Krauss D14/205
D644,213 S * 8/2011 Quek D14/223
D645,458 S 9/2011 Silvestri et al.
D655,693 S 3/2012 Silvestri et al.
D657,347 S * 4/2012 Chung D14/206

(Continued)

OTHER PUBLICATIONS

Bose Bluetooth Headphone Bundle, date first available Apr. 8, 2017, Copyright © 1996-2017, Available from Internet, <https://www.amazon.com/Bose-Bluetooth-Headphone-Bundle-ear/dp/B07228HQG6/ref=sr_1_15?s=electronics&ie=UTF8&qid=1510601992&sr=1-15&keywords=bose+soundSport+wireless+headphones>.*

(Continued)

Primary Examiner — Cathron C Brooks

Assistant Examiner — Sharon S Oum

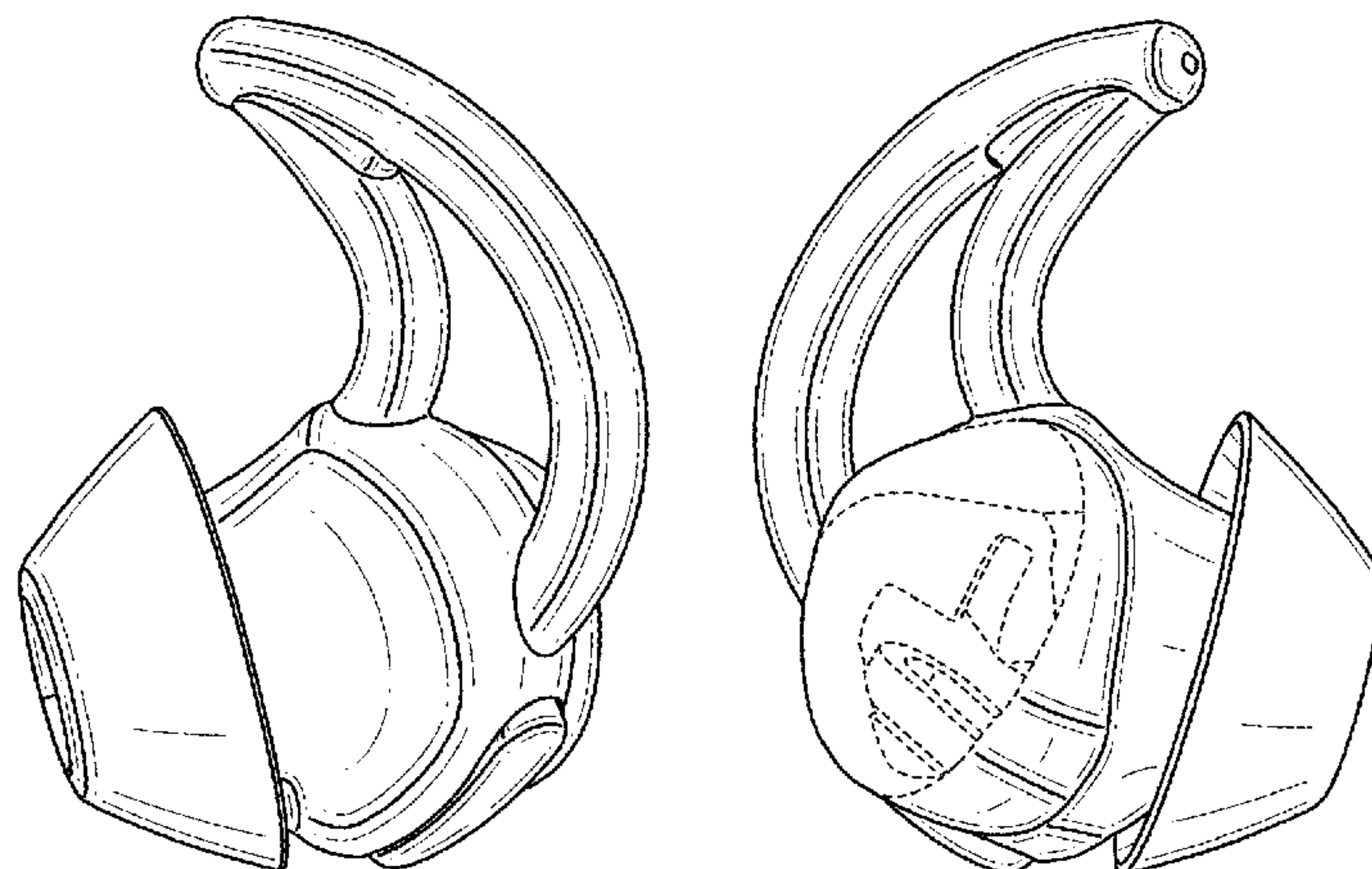
(57) **CLAIM**

The ornamental design for an earpiece, substantially as shown and described.

DESCRIPTION

FIG. 1 is a perspective view of an earpiece as seen from the back, top and left side;
FIG. 2 is a front view thereof;
FIG. 3 is a left side view thereof;
FIG. 4 is a back view thereof;
FIG. 5 is a right side view thereof;
FIG. 6 is a top view thereof; and,
FIG. 7 is a bottom view thereof.
The dotted line portions of the drawings represent environmental structure only and do not form part of the claimed design.

1 Claim, 2 Drawing Sheets



(56)

References Cited

U.S. PATENT DOCUMENTS

D666,169 S * 8/2012 Tucker D14/206
 8,311,253 B2 * 11/2012 Silvestri H04R 1/1075
 181/129
 D672,044 S * 12/2012 Larsen D24/174
 D684,950 S * 6/2013 Schaal D14/205
 D684,953 S * 6/2013 Schaal D14/205
 D685,761 S * 7/2013 Fletcher D14/205
 D695,267 S * 12/2013 Schaal D14/205
 D699,703 S * 2/2014 Schaal D14/205
 D703,634 S * 4/2014 Han H04R 1/1016
 D14/205
 8,737,669 B2 * 5/2014 Monahan H04R 1/1016
 381/325
 D712,884 S * 9/2014 Krauss D14/205
 D715,253 S * 10/2014 Lee D14/205
 D763,224 S * 8/2016 Silvestri H04R 1/1016
 D14/205
 D764,436 S * 8/2016 Dryden D14/205
 9,462,366 B2 * 10/2016 Silvestri H04R 1/1016
 D779,461 S * 2/2017 Smith D14/223
 9,591,395 B2 * 3/2017 Burgett H04R 1/1091
 D786,216 S * 5/2017 Silva D14/205
 D788,079 S * 5/2017 Son D14/223

9,648,410 B1 * 5/2017 Kratsas H04R 1/1041
 D794,613 S * 8/2017 Hayden D14/223
 D796,473 S * 9/2017 Kim D14/205
 2009/0141923 A1 * 6/2009 Smith H04R 1/1016
 381/371
 2014/0119589 A1 * 5/2014 Wyzisk H04R 1/105
 381/380
 2016/0073192 A1 * 3/2016 Briggs H04R 1/1058
 381/380
 2016/0261942 A1 * 9/2016 Hayden H04R 1/105
 2017/0238079 A1 * 8/2017 Smith H04R 1/1016
 381/74
 2017/0238083 A1 * 8/2017 Smith H04R 1/1066
 381/381

OTHER PUBLICATIONS

TaoTronics Active Noise Cancelling Headphones, date first available unknown, oldest review Apr. 8, 2017, Copyright © 1996-2017, Available from Internet, <https://www.amazon.com/TaoTronics-Cancelling-Headphones-Microphone-Construction/dp/B075DBL2QP/ref=sr_1_16?s=electronics&ie=UTF8&qid=1510602595&sr=1-16&keywords=in+ear+headphones>.*
 Design U.S. Appl. No. 29/522,292, filed Mar. 30, 2015.

* cited by examiner

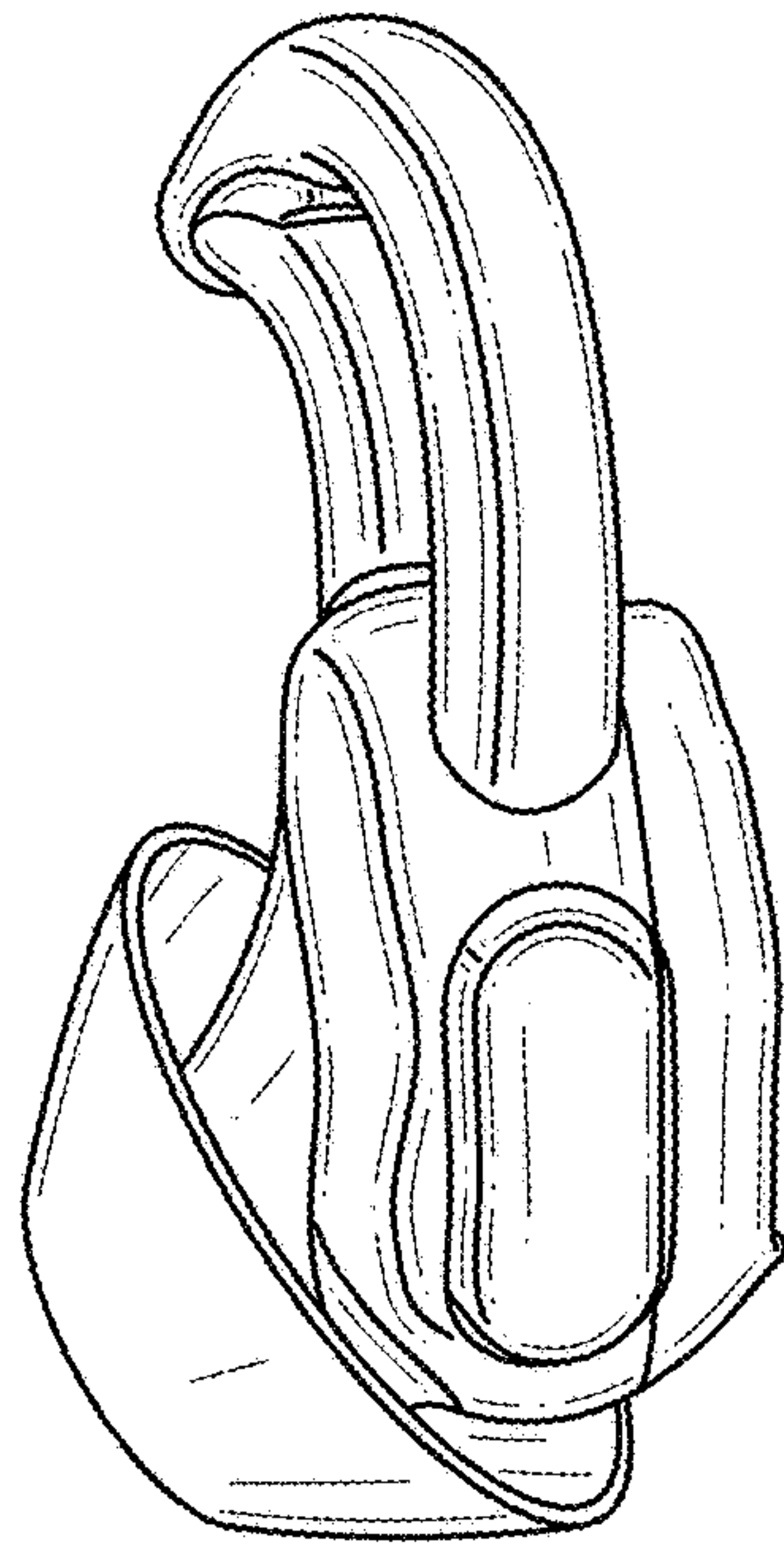


FIG. 1

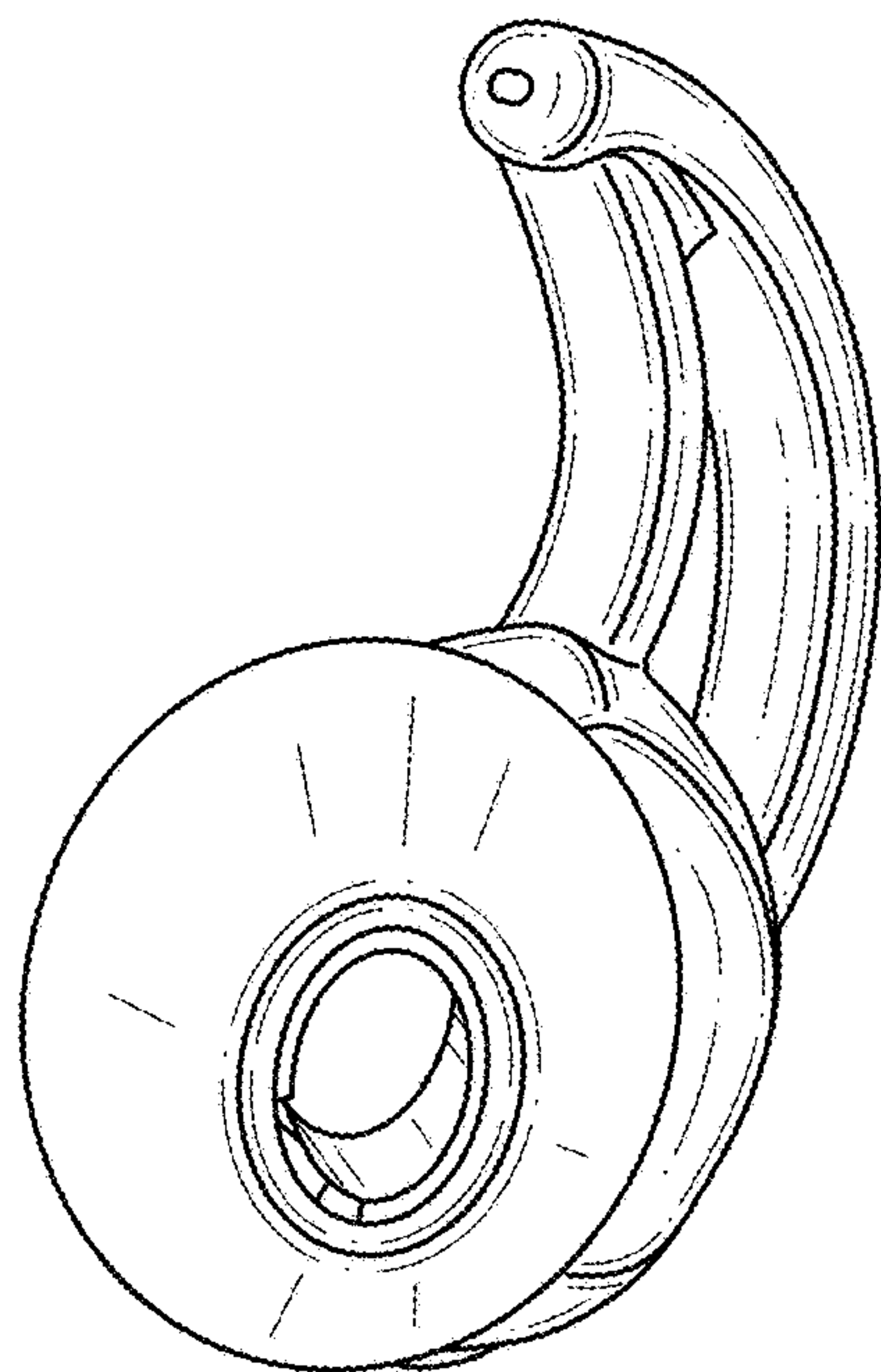


FIG. 2

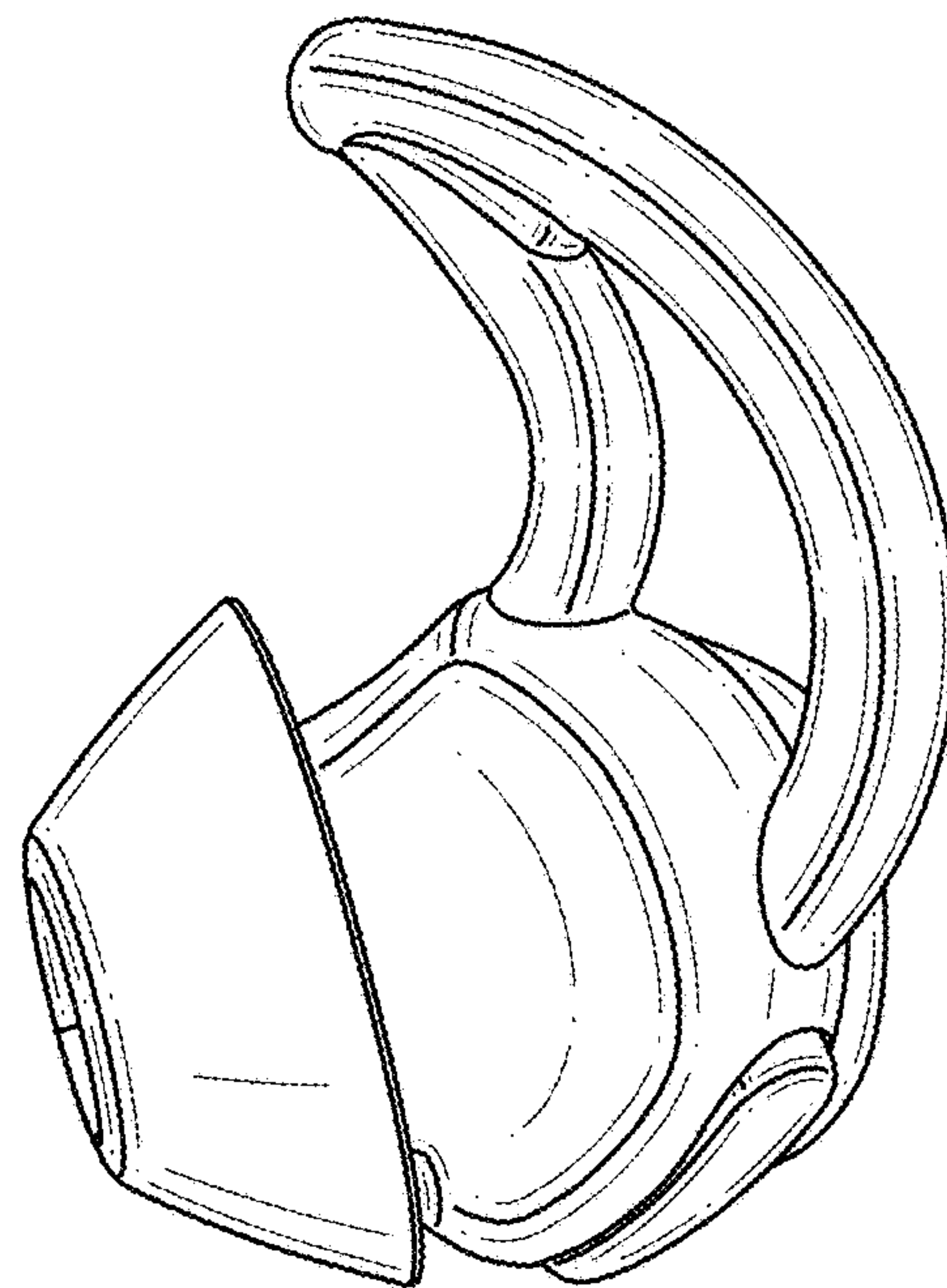


FIG. 3

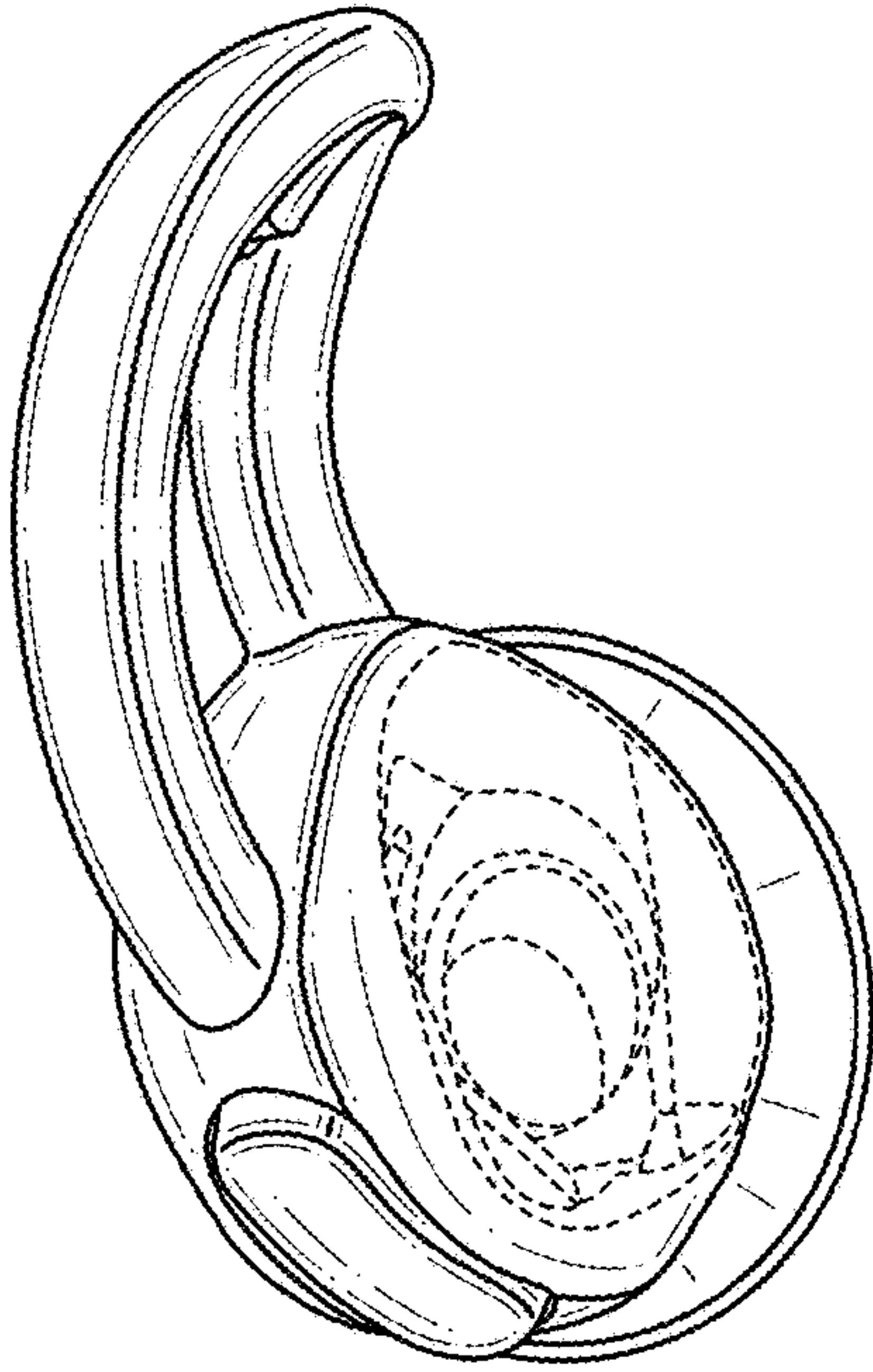


FIG. 4

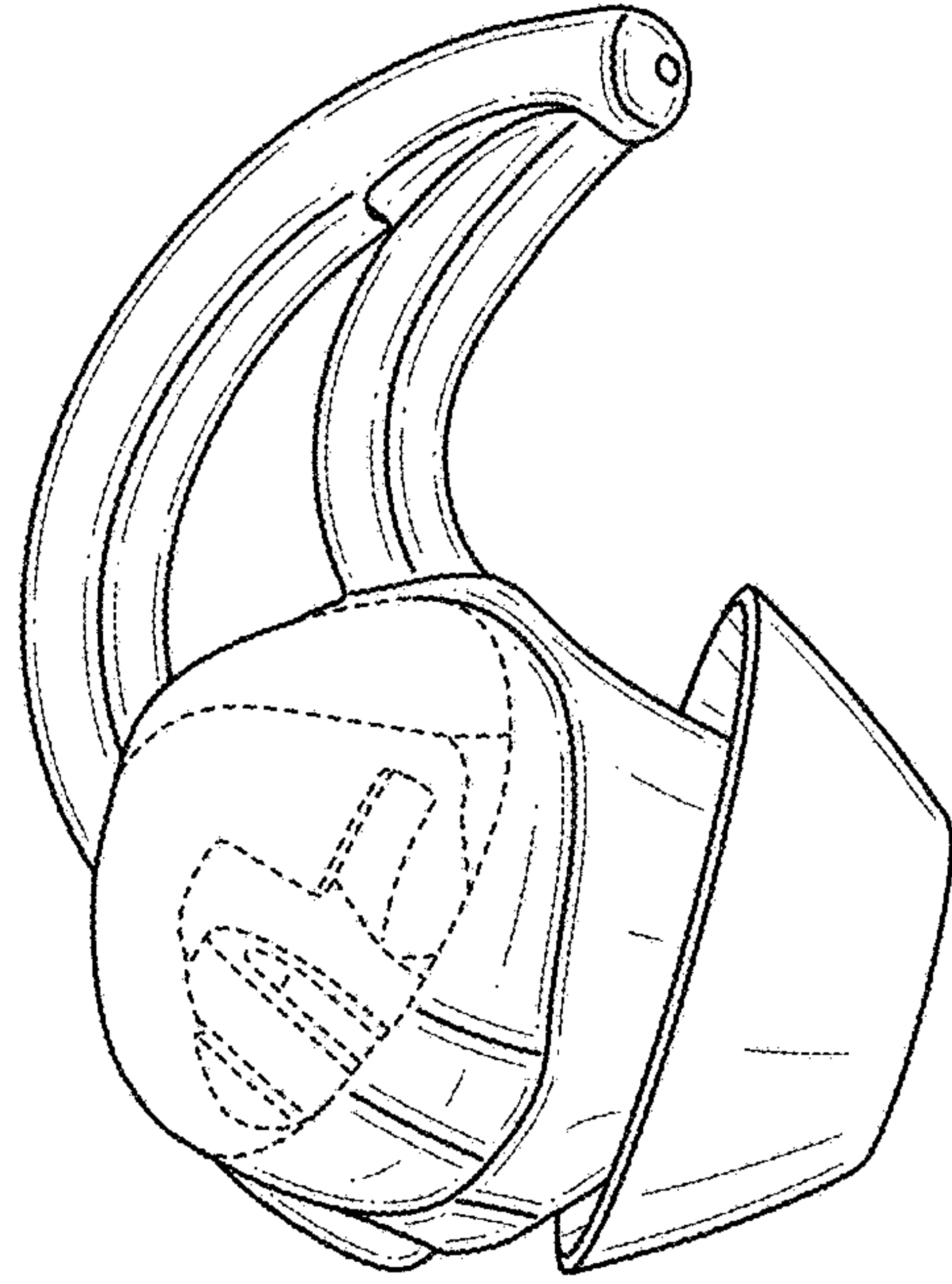


FIG. 5

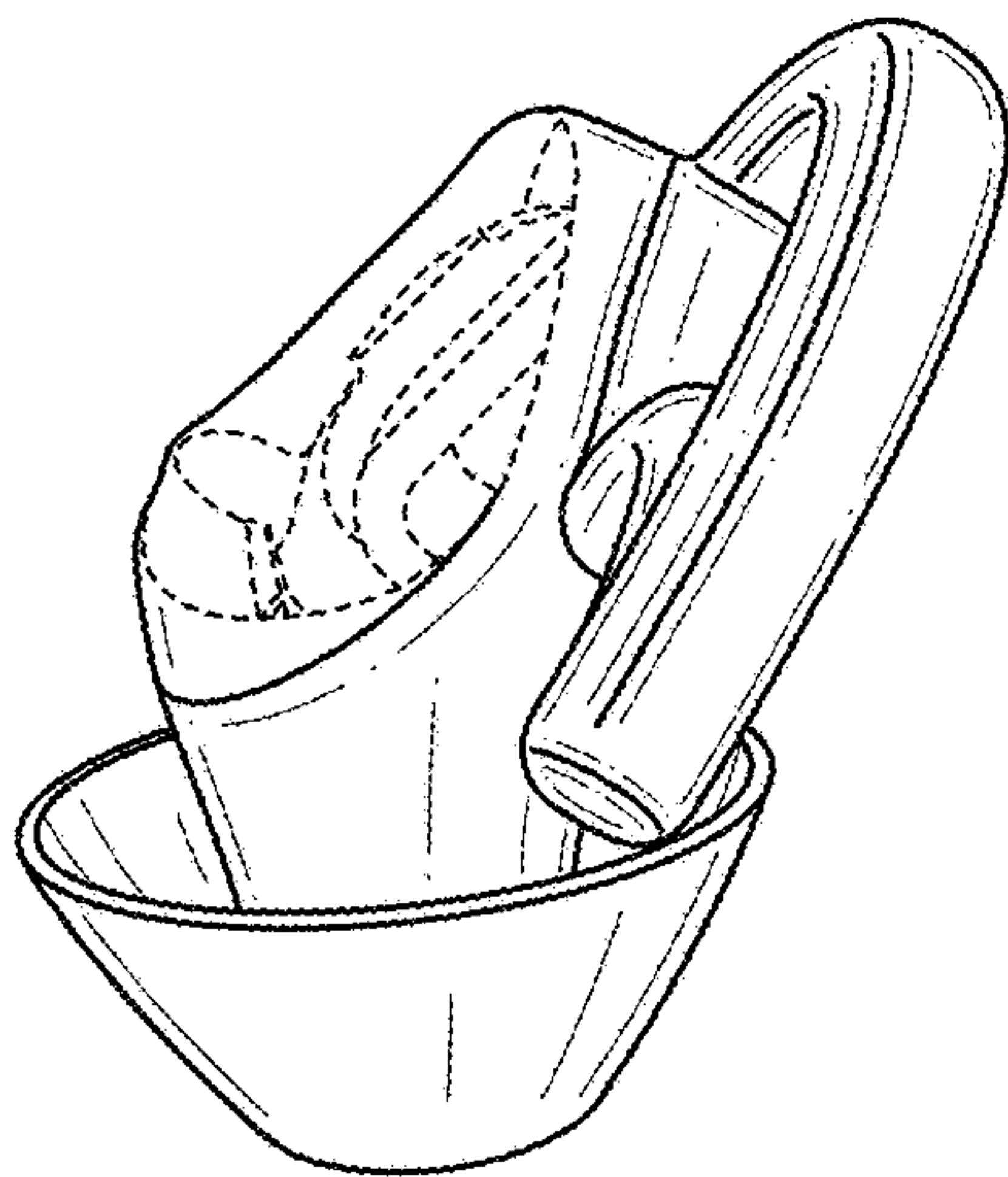


FIG. 6

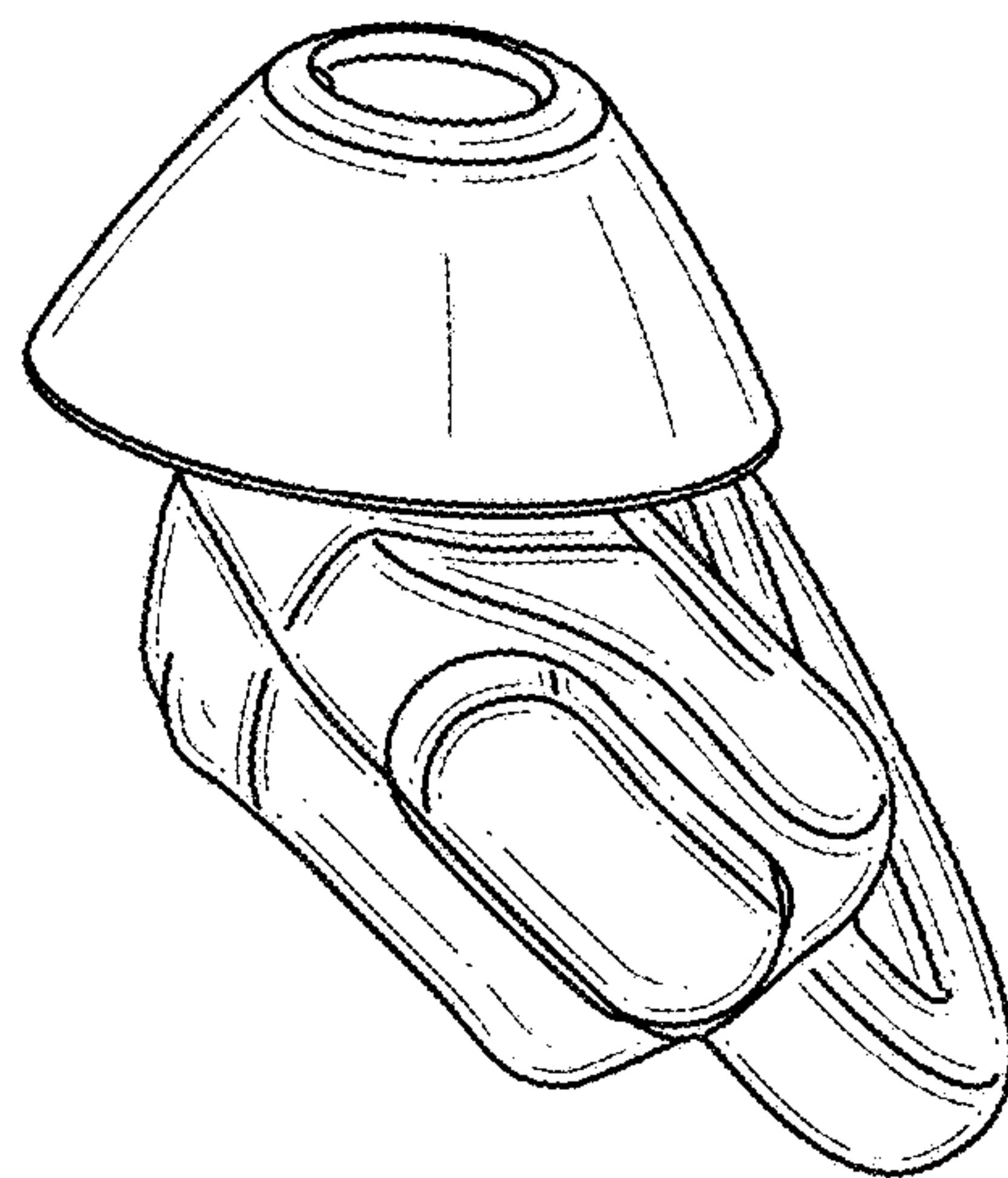


FIG. 7