



US00D847113S

(12) **United States Design Patent** (10) **Patent No.:** **US D847,113 S**
Nicolas et al. (45) **Date of Patent:** **** Apr. 30, 2019**

(54) **LOUDSPEAKER**

(71) Applicant: **Bosch Security Systems, Inc.**, Fairport, NY (US)

(72) Inventors: **Edgar Nicolas**, St. Cloud, MN (US);
Darin Stephenson, Montrose, MN (US)

(73) Assignees: **Bosch Security Systems, Inc.**, Stuttgart (DE); **Robert Bosch GmbH**, Stuttgart (DE)

(**) Term: **15 Years**

(21) Appl. No.: **29/605,406**

(22) Filed: **May 25, 2017**

(51) **LOC (11) Cl.** **14-01**

(52) **U.S. Cl.**
USPC **D14/204**

(58) **Field of Classification Search**
USPC D14/167, 168, 170–172, 188, 204, 209.1,
D14/210–216, 219, 221, 222, 224;
181/144, 148, 153, 157, 198; 369/6–12;
381/301–303, 306, 332, 334, 336, 345,
381/361–363, 386–388
CPC G06F 1/1688; H04R 1/02; H04R 1/025;
H04R 1/026; H04R 1/323; H04R 1/403;
H04R 1/2803; H04R 1/2834; H04R 5/02;
H04R 9/06; H04R 2201/021; H04R
2400/00; H04R 2400/07; H04R 2499/11
See application file for complete search history.

(56) **References Cited**

U.S. PATENT DOCUMENTS

D242,477 S	11/1976	Folkmanis
D248,023 S	5/1978	Minozzi et al.
4,130,174 A	12/1978	Ostrander et al.
D256,914 S	9/1980	Rams
4,325,529 A	4/1982	Seebinger

(Continued)

OTHER PUBLICATIONS

Amazon—Polk Audio Speakers, announced Nov. 5, 2010 (date first available)[onlin][site visited Feb. 2, 2017], Available from Internet, URL:<https://www.amazon.co.uk/Polk-Audio-Atrium-Speakers-White/dp/Boo378KMG4>(Year:2010).

(Continued)

Primary Examiner — Derrick E Holland

Assistant Examiner — Janice Patyk

(74) *Attorney, Agent, or Firm* — Kelly McGlashen;
Maginot Moore & Beck LLP

(57) **CLAIM**

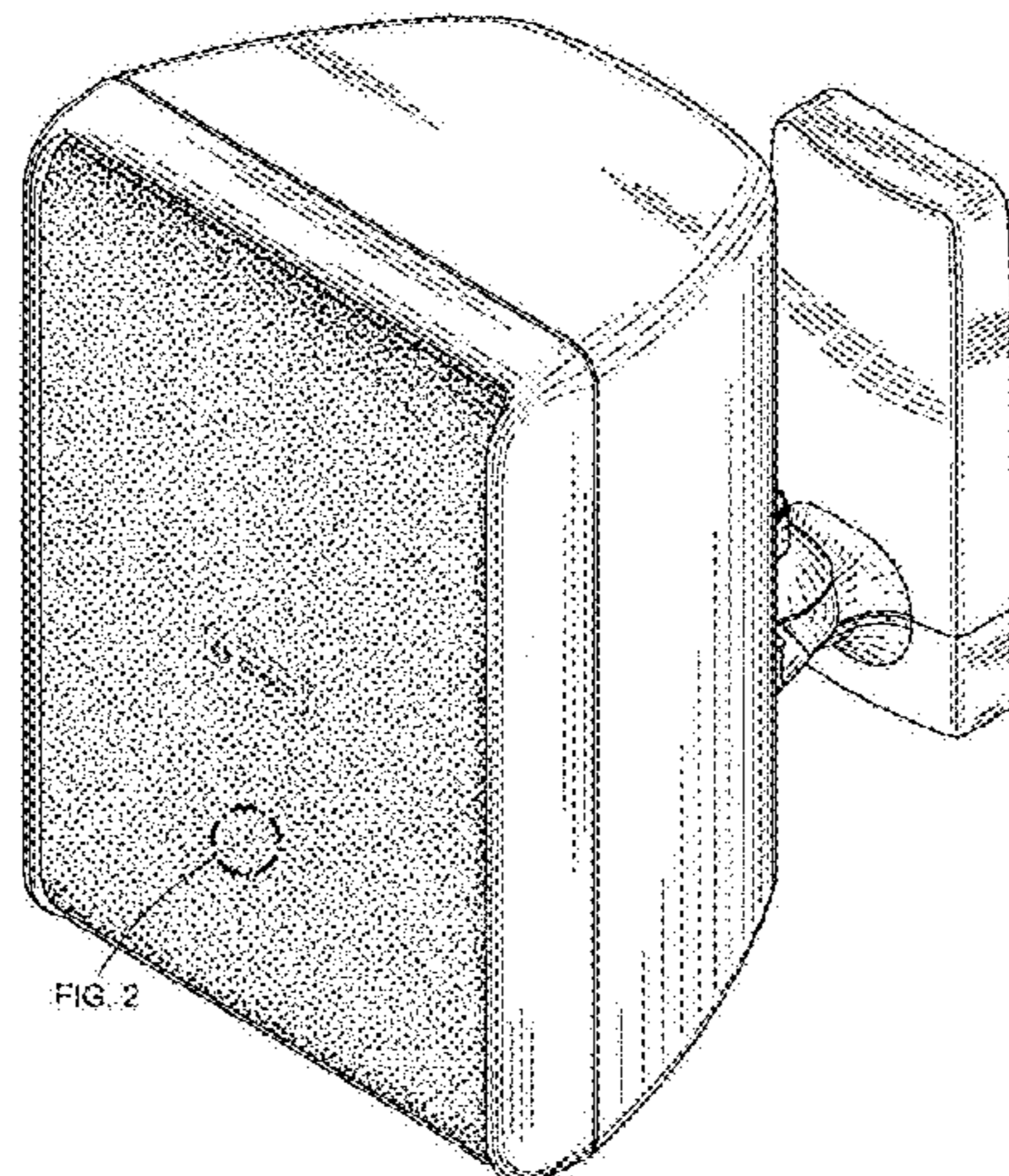
The ornamental design for a loudspeaker, as shown and described.

DESCRIPTION

FIG. 1 is a front perspective view of a loudspeaker, showing our new design;
FIG. 2 is a partially enlarged view thereof, taken from FIG. 1;
FIG. 3 is a top plan view thereof;
FIG. 4 is a partially enlarged view thereof, taken from FIG. 3;
FIG. 5 is a front elevational view thereof;
FIG. 6 is a partially enlarged view thereof, taken from FIG. 5;
FIG. 7 is a rear elevational view thereof;
FIG. 8 is a bottom plan view thereof;
FIG. 9 is a partially enlarged view thereof, taken from FIG. 8;
FIG. 10 is a right side elevational view thereof; and,
FIG. 11 is a left side elevational view thereof.

The broken lines in the figures illustrate portions of the design that form no part of the claimed design. The dot-dash broken lines of FIGS. 1-6, 8 and 9 are included to show partially enlarged views only and form no part of the claimed design. None of the broken lines form any part of the claimed design.

1 Claim, 8 Drawing Sheets



(56)

References Cited

U.S. PATENT DOCUMENTS

4,917,212 A 4/1990 Iwaya
 D335,130 S 4/1993 Rozier
 D336,474 S 6/1993 Hall
 D356,568 S 3/1995 Ichikawa
 5,502,772 A 3/1996 Felder
 D389,483 S 1/1998 Christie et al.
 5,704,578 A 1/1998 Fischer
 5,730,409 A * 3/1998 Baron F16M 11/126
 248/288.11
 D400,883 S 11/1998 Jung
 D401,583 S * 11/1998 Shin D14/214
 5,933,507 A 8/1999 Woolley et al.
 D426,229 S 6/2000 Lin
 D471,893 S 3/2003 Jung
 D471,894 S 3/2003 Oikawa
 D480,708 S 10/2003 Bothe
 6,721,434 B2 4/2004 Polk, Jr. et al.
 D491,553 S * 6/2004 Cook D14/214
 D498,745 S * 11/2004 Sayler D14/214
 D501,197 S * 1/2005 Tanoni D14/214
 6,845,840 B2 1/2005 Cowan et al.
 D503,703 S 4/2005 Beckett et al.
 D505,670 S 5/2005 Hoehn et al.
 D506,632 S 6/2005 Holsclaw
 D517,046 S 4/2006 Lam et al.
 D521,981 S 5/2006 Sogabe
 D538,265 S 3/2007 Lee
 D541,259 S 4/2007 Pincek et al.

D547,302 S 7/2007 Schmieta et al.
 D552,082 S 10/2007 Law
 D568,293 S * 5/2008 Sawhney D14/214
 D577,711 S * 9/2008 Emge D14/214
 D605,632 S * 12/2009 Wathen D14/216
 D643,019 S 8/2011 Behringer et al.
 D643,407 S * 8/2011 Behringer D14/214
 D655,691 S 3/2012 Stewart, Jr. et al.
 D692,862 S 11/2013 Tanaka
 D698,335 S 1/2014 Plattard
 D710,332 S 8/2014 Baird et al.
 D714,259 S 9/2014 Galler
 8,837,767 B2 9/2014 Stewart et al.
 D756,331 S 5/2016 Kamlet et al.
 D764,444 S 8/2016 Sulzer et al.
 D810,273 S 2/2018 Corten et al.
 2006/0285716 A1 12/2006 Gordon
 2008/0063225 A1 3/2008 Choi
 2009/0022354 A1 1/2009 Paker
 2013/0202147 A1 8/2013 Staley et al.
 2013/0251187 A1 9/2013 Sumitani et al.
 2017/0188123 A1 6/2017 Wright

OTHER PUBLICATIONS

Amazon—Bosch LB2-UCIS-D1, announced Dec. 13, 2016 (date first available)[online],[site visited Feb. 2, 2107], Available from Internet, URL:;https://www.amazon.com/Bosch-LB2-UC-15-D1-Premium-Cabinet-Loudspeaker/dp/B01N2TNVS2>(Year:2016).

* cited by examiner

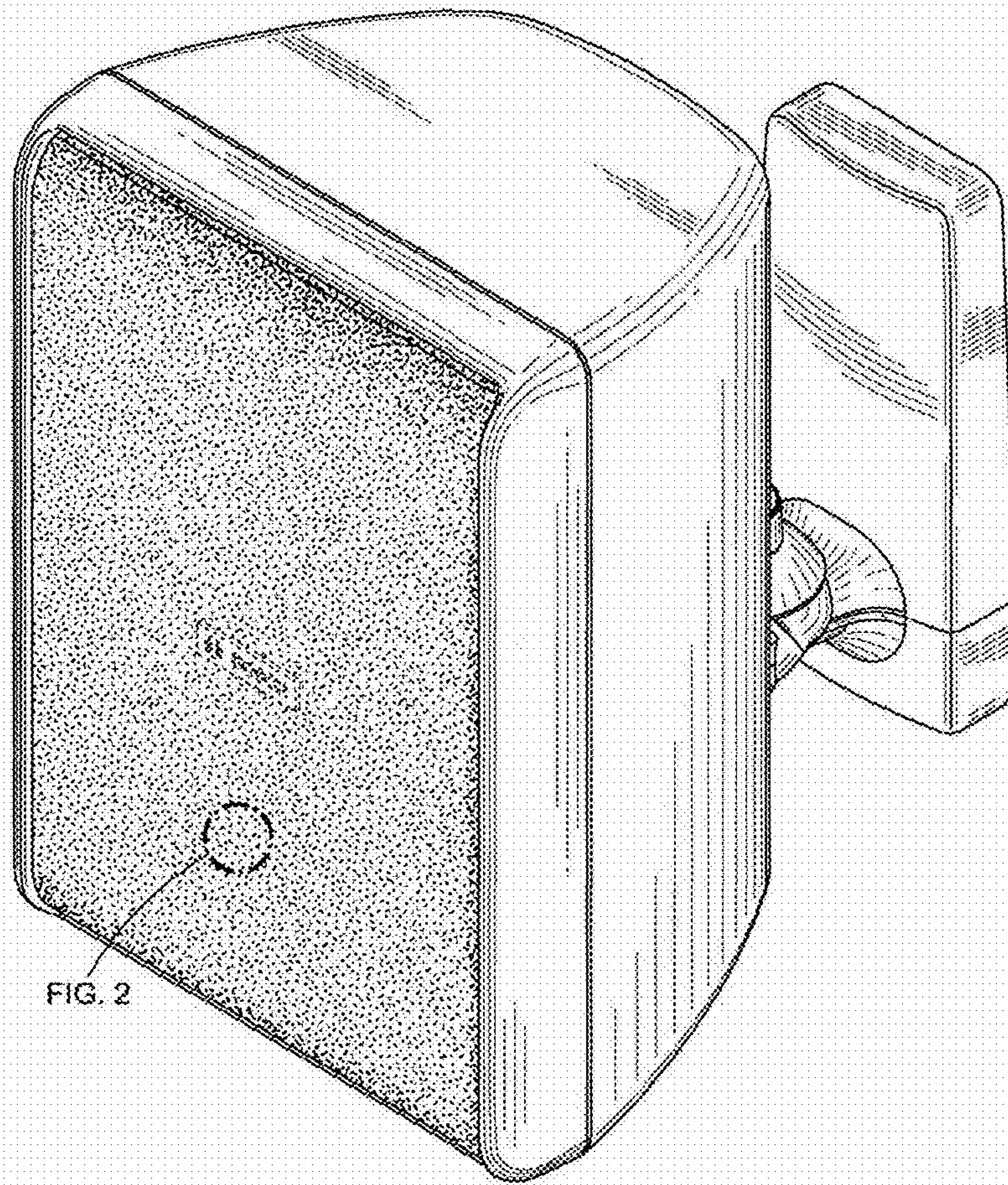


FIG. 2

FIG. 1

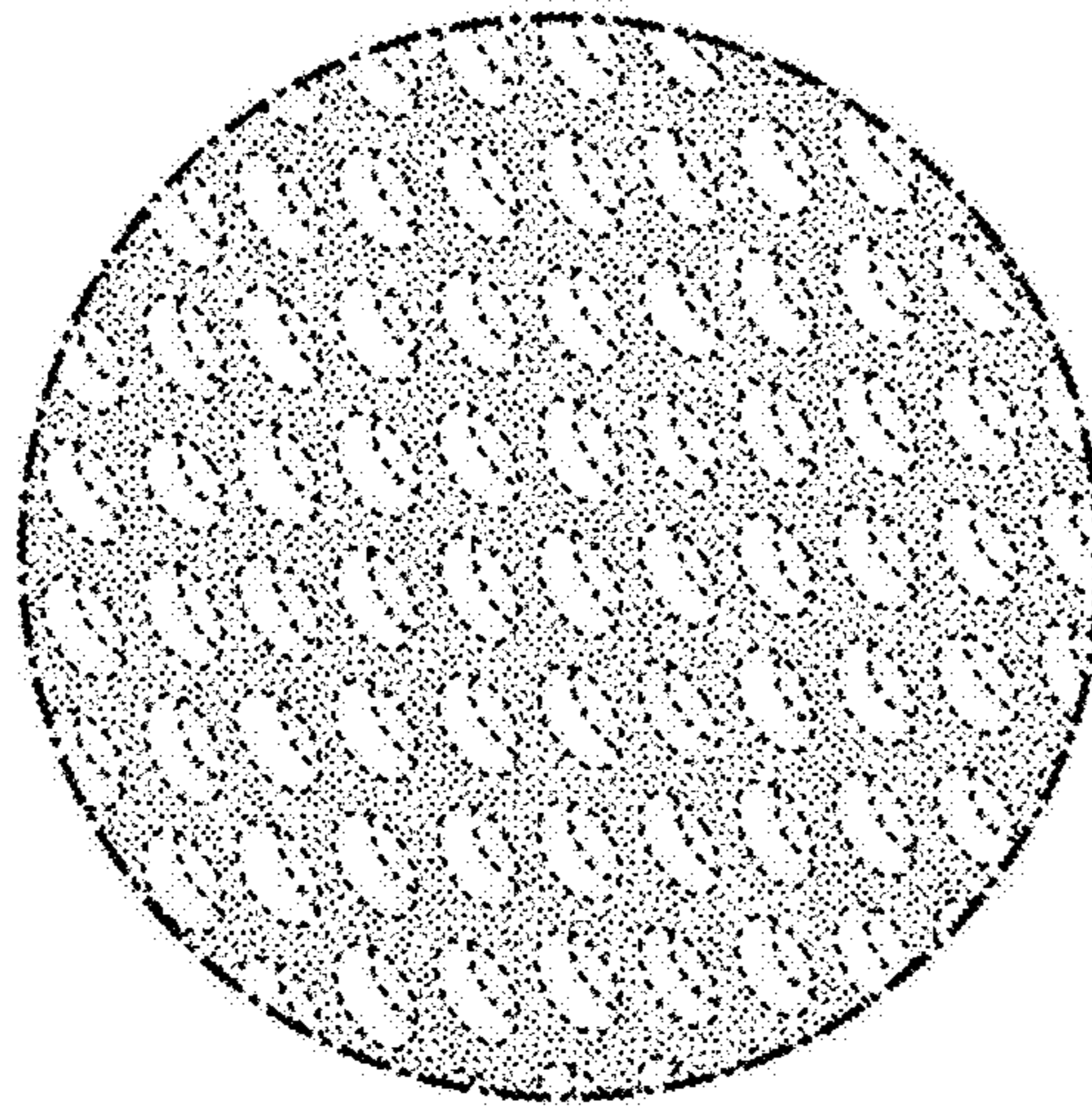


FIG. 2

FIG. 3

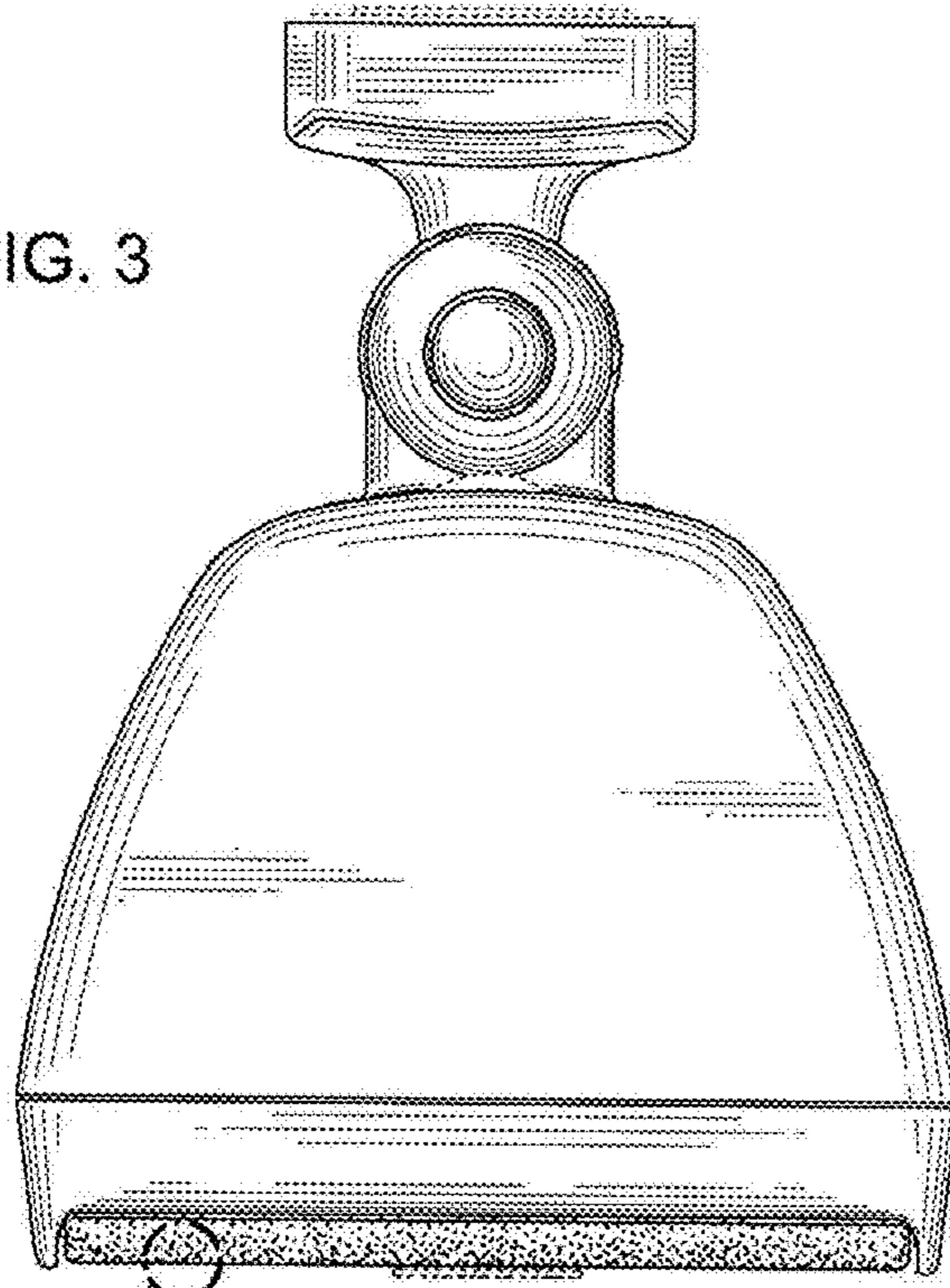
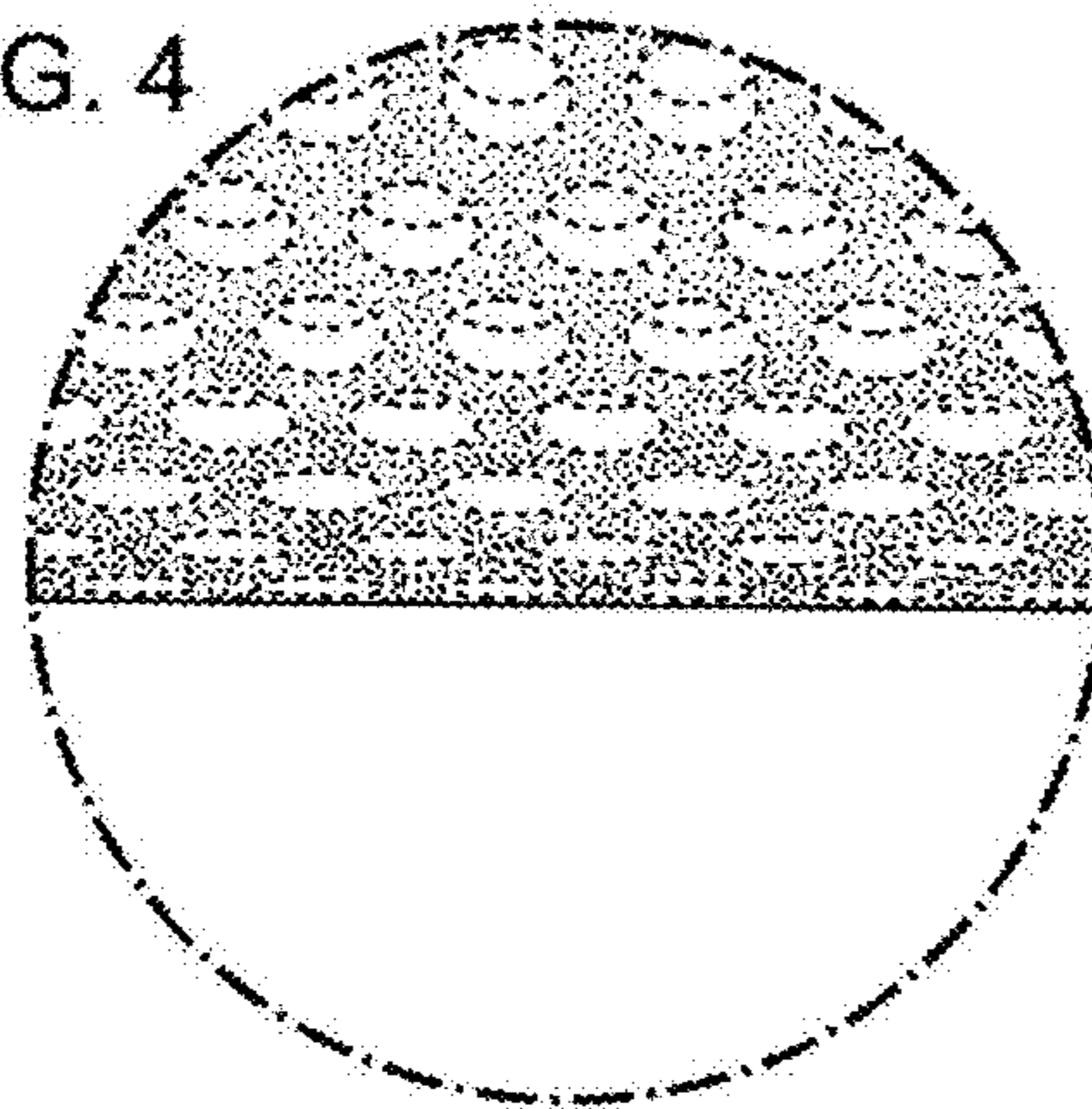


FIG. 4

FIG. 4



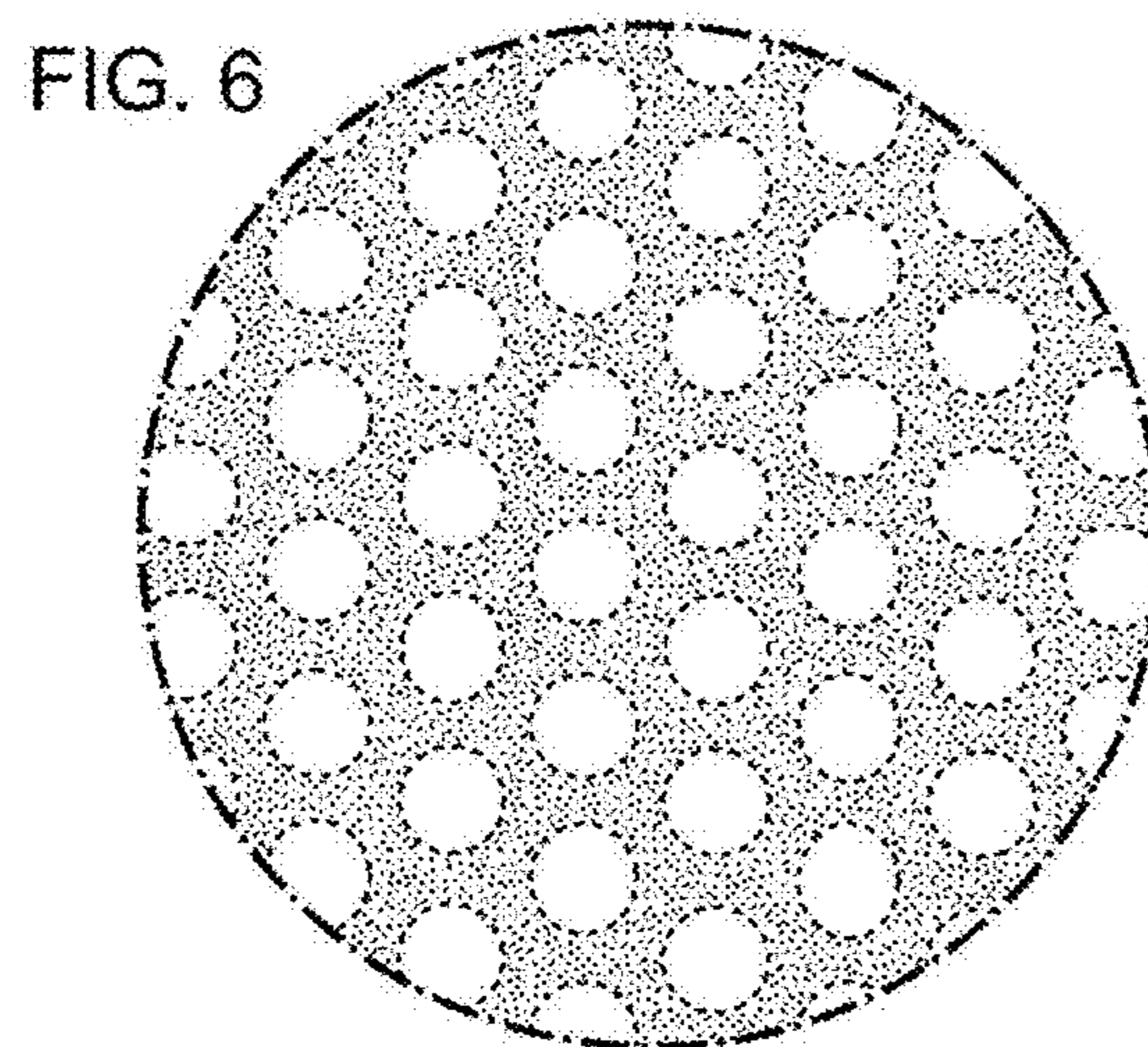
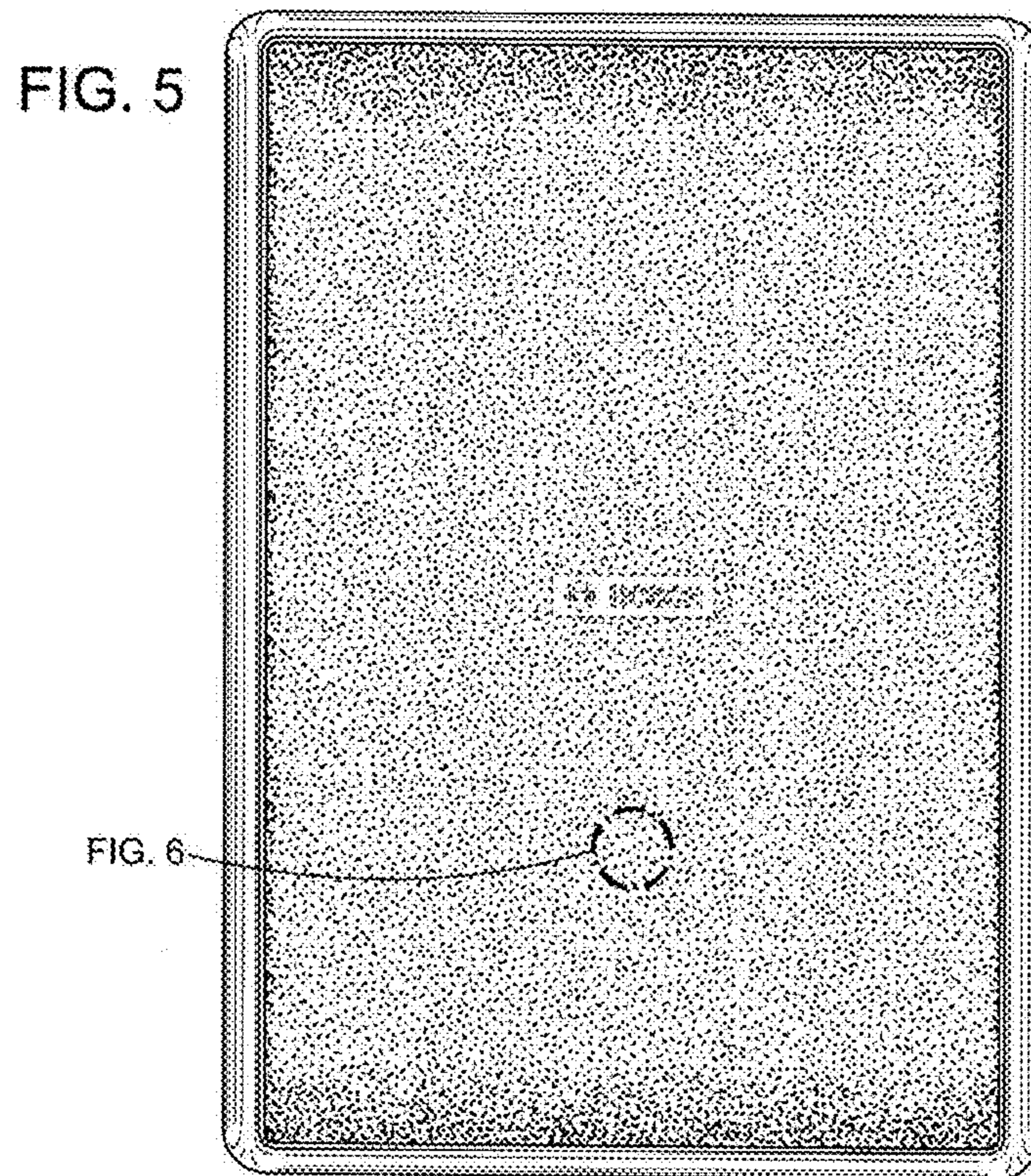
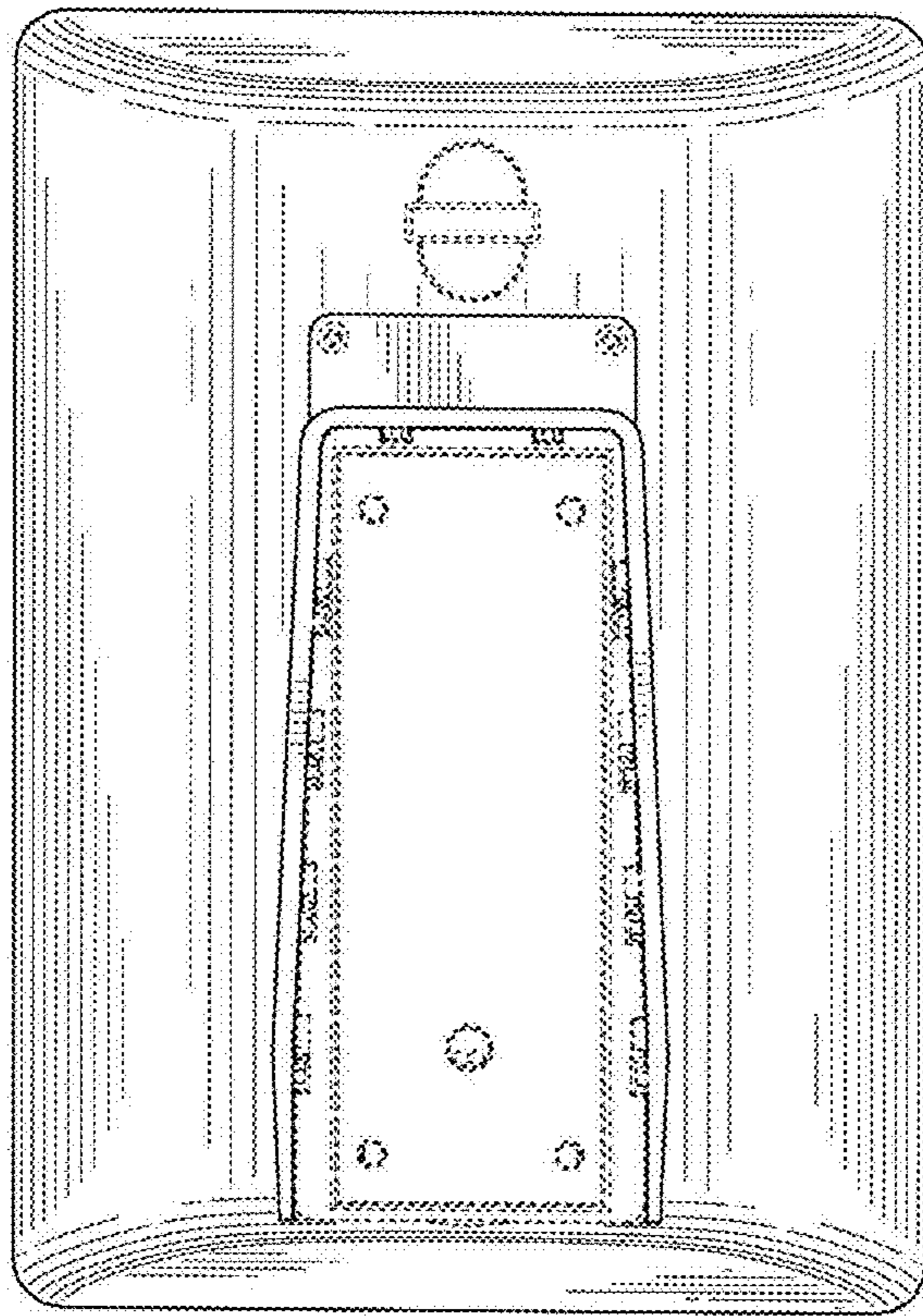
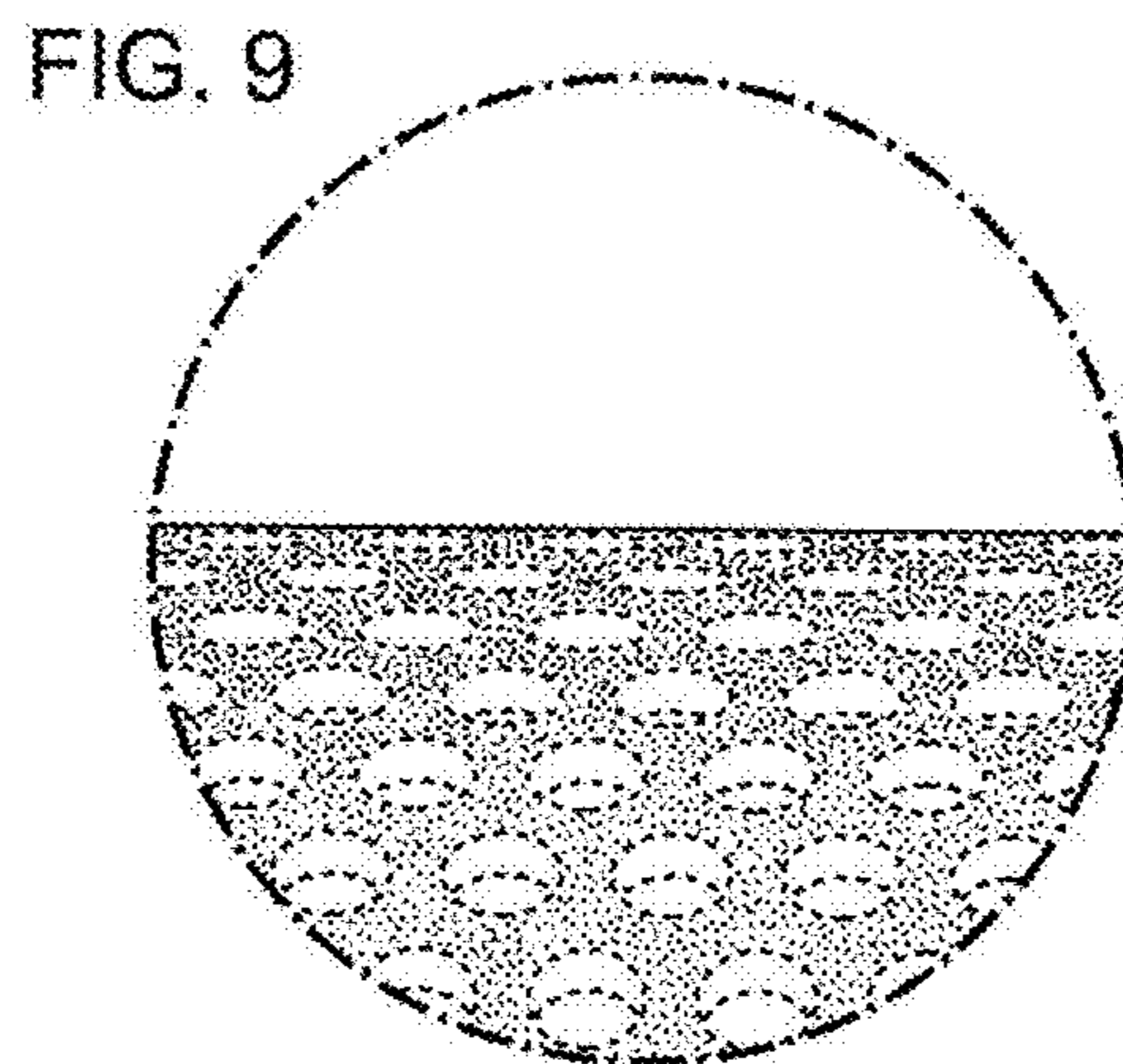
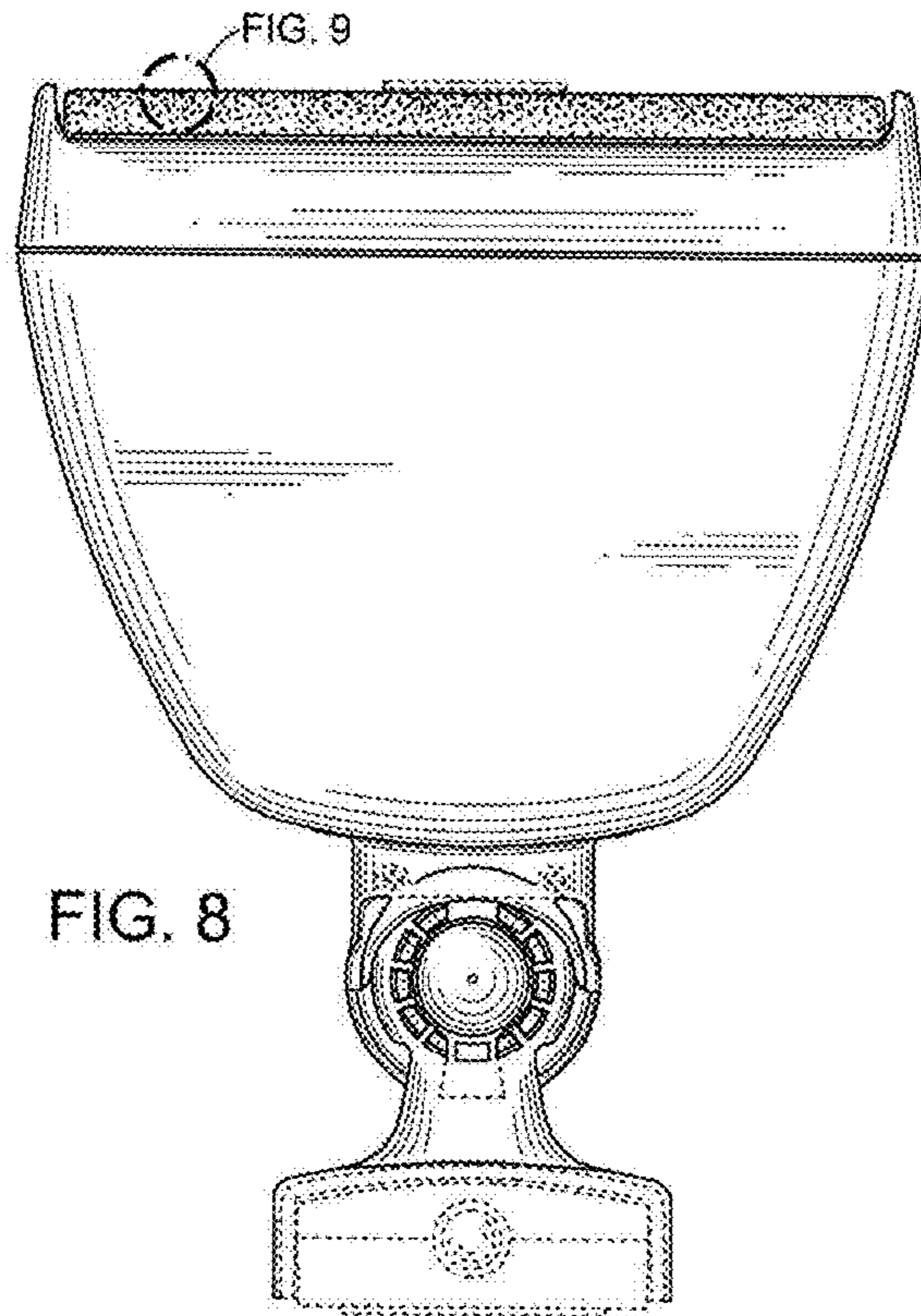


FIG. 7





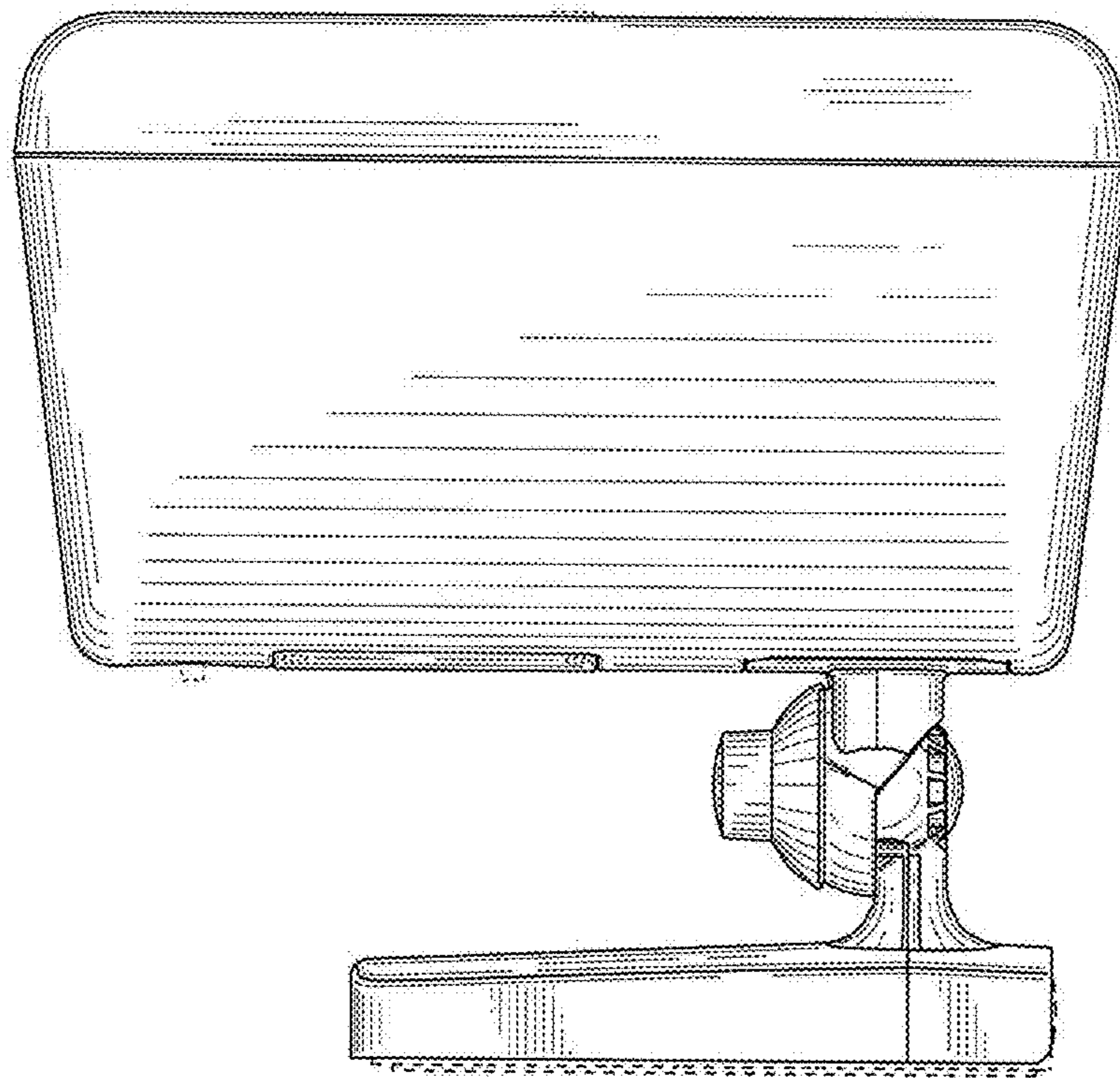


FIG. 10

FIG. 11

