



US00D847112S

(12) **United States Design Patent**
Castle et al.

(10) **Patent No.:** **US D847,112 S**
(45) **Date of Patent:** **** Apr. 30, 2019**

- (54) **WIRELESS HUB**
- (71) Applicant: **Robert Bosch GmbH**, Stuttgart (DE)
- (72) Inventors: **Scott Castle**, Fairport, NY (US); **Nick Billow**, Pittsford, NY (US); **Eric Harnischfeger**, Penn Yan, NY (US); **James Thornton**, Webster, NY (US)
- (73) Assignee: **Robert Bosch GmbH**, Stuttgart (DE)
- (**) Term: **15 Years**
- (21) Appl. No.: **29/665,127**
- (22) Filed: **Oct. 1, 2018**

Related U.S. Application Data

- (62) Division of application No. 29/572,121, filed on Jul. 25, 2016, now Pat. No. Des. 833,411.
- (51) **LOC (11) Cl.** **14-03**
- (52) **U.S. Cl.**
USPC **D14/155**
- (58) **Field of Classification Search**
USPC D14/167, 154, 168, 188, 496, 156, 160, D14/161, 162, 163, 164, 165, 158, 341, D14/346, 342, 345; D10/104, 106, 65, D10/57; 455/351, 350, 575.1, 556.1
CPC H04B 1/385; H04M 1/6091; H04M 1/6066
See application file for complete search history.

(56) **References Cited**

U.S. PATENT DOCUMENTS

- D309,728 S 8/1990 Nuttall et al.
- D520,502 S 5/2006 Xu et al.
- D535,981 S 1/2007 Park
- D542,784 S 5/2007 Franck et al.
- D549,193 S 8/2007 Gomes, II et al.
- D555,146 S 11/2007 Sandy

- D563,386 S 3/2008 Foster
- D570,846 S 6/2008 Liu et al.
- D579,931 S 11/2008 Chang
- D579,952 S 11/2008 Yamada
- D586,327 S 2/2009 Shimizu
- D591,270 S 4/2009 Jakobson et al.
- D641,343 S 7/2011 Kim et al.
- D642,158 S 7/2011 Skurdal
- D667,382 S 9/2012 Cosentino et al.
- D678,909 S 3/2013 Akana et al.
- D693,329 S 11/2013 Lee et al.
- D706,357 S * 6/2014 Ashida D21/330
- D715,760 S * 10/2014 Kim D14/188
- D732,023 S 6/2015 Asao
- D743,398 S * 11/2015 Smith D14/433
- D750,563 S * 3/2016 Hedderich D13/137.1
- D751,527 S 3/2016 Hinokio et al.
- D760,684 S 7/2016 Green
- D767,568 S 9/2016 McWilliam
- D769,811 S * 10/2016 Lin D13/103
- D773,941 S 12/2016 Holzer
- D774,492 S 12/2016 Jinjin
- D776,270 S * 1/2017 Wilcox D24/127

(Continued)

Primary Examiner — Austin Murphy

(74) *Attorney, Agent, or Firm* — Michael Best & Friedrich LLP

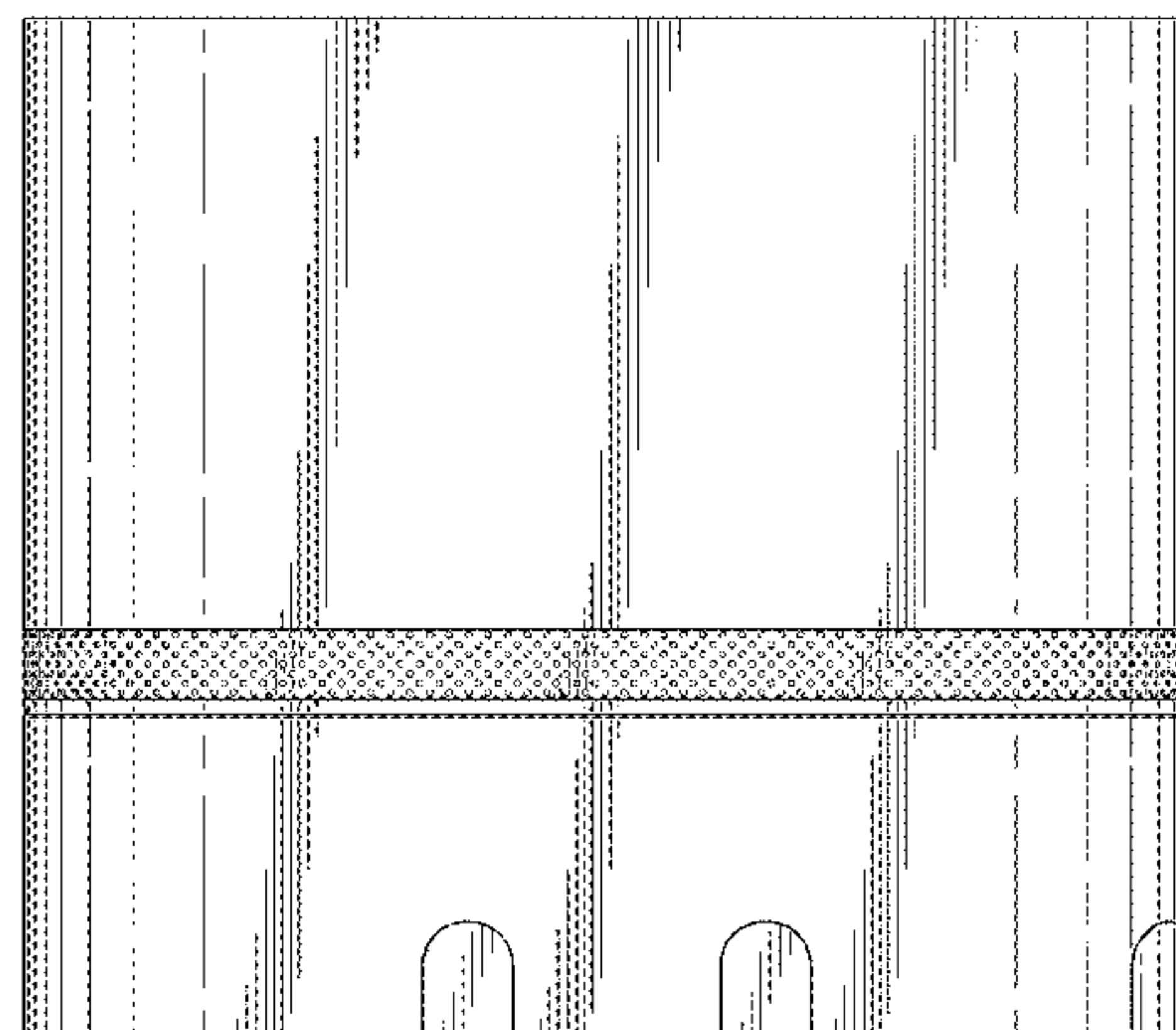
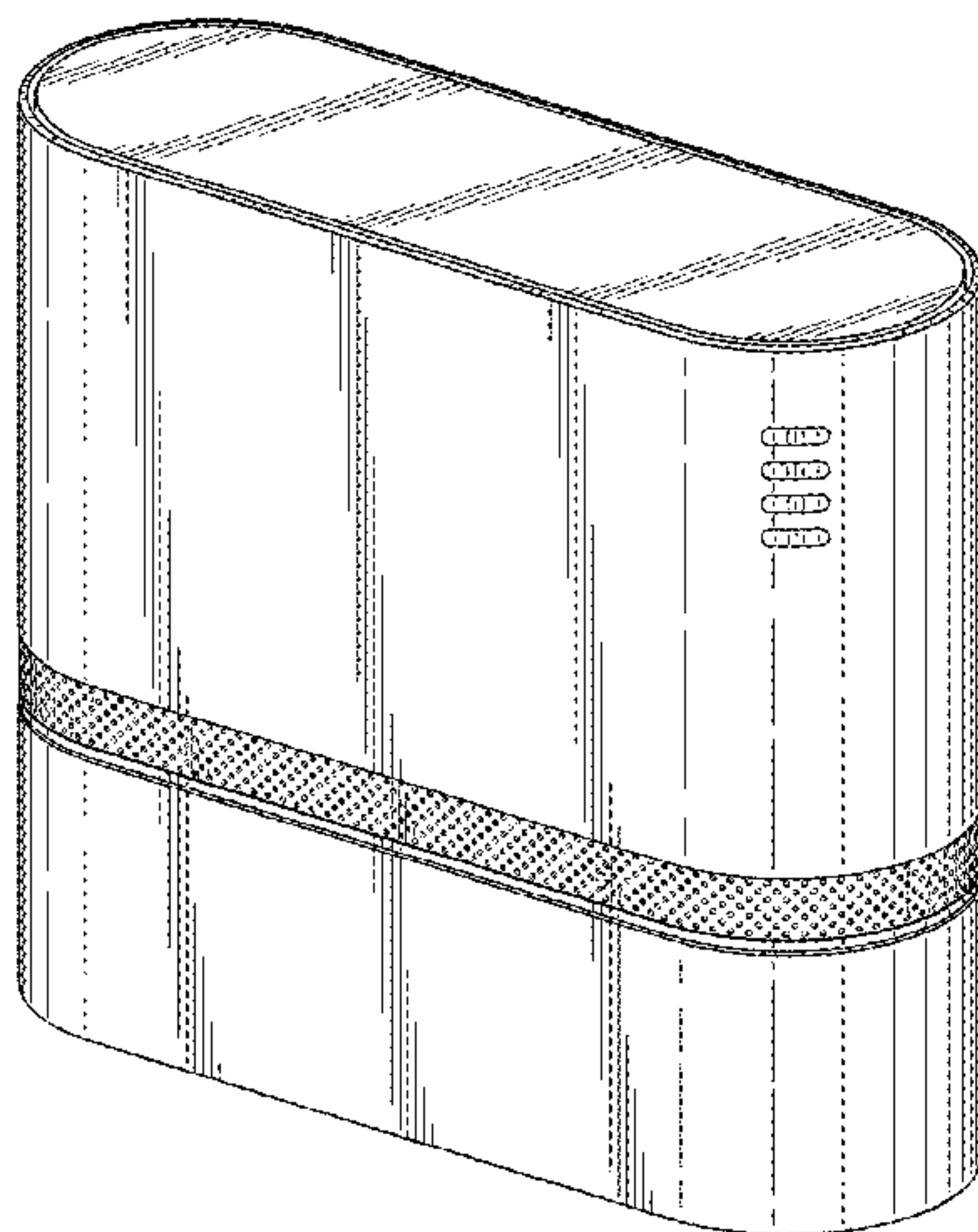
(57) **CLAIM**

We claim the ornamental design for the wireless hub, as shown and described.

DESCRIPTION

FIG. 1 is a perspective view of a wireless hub;
FIG. 2 is a front view thereof;
FIG. 3 is a back view thereof;
FIG. 4 is a right side view thereof;
FIG. 5 is a left side view thereof;
FIG. 6 is a top view thereof; and,
FIG. 7 is a bottom view thereof.

1 Claim, 5 Drawing Sheets



(56)

References Cited

U.S. PATENT DOCUMENTS

D779,341 S * 2/2017 Poandl D10/2
D792,409 S 7/2017 Shim
D809,481 S 2/2018 McManigal
D813,874 S * 3/2018 Magi D14/434
D814,405 S * 4/2018 Hahn D13/107
D819,022 S * 5/2018 Shim D14/363
D829,719 S * 10/2018 Shim D14/435
D830,358 S * 10/2018 Wietzke D14/358
D835,591 S * 12/2018 Shim D13/184
2005/0128743 A1 * 6/2005 Chuey F21S 10/02
362/234
2007/0293079 A1 * 12/2007 Chao H01R 13/6275
439/352
2010/0281209 A1 * 11/2010 Ni G06K 19/07732
711/103
2012/0262109 A1 * 10/2012 Toya H01M 10/44
320/108
2013/0230752 A1 * 9/2013 Fujihara H01M 2/1235
429/82

* cited by examiner

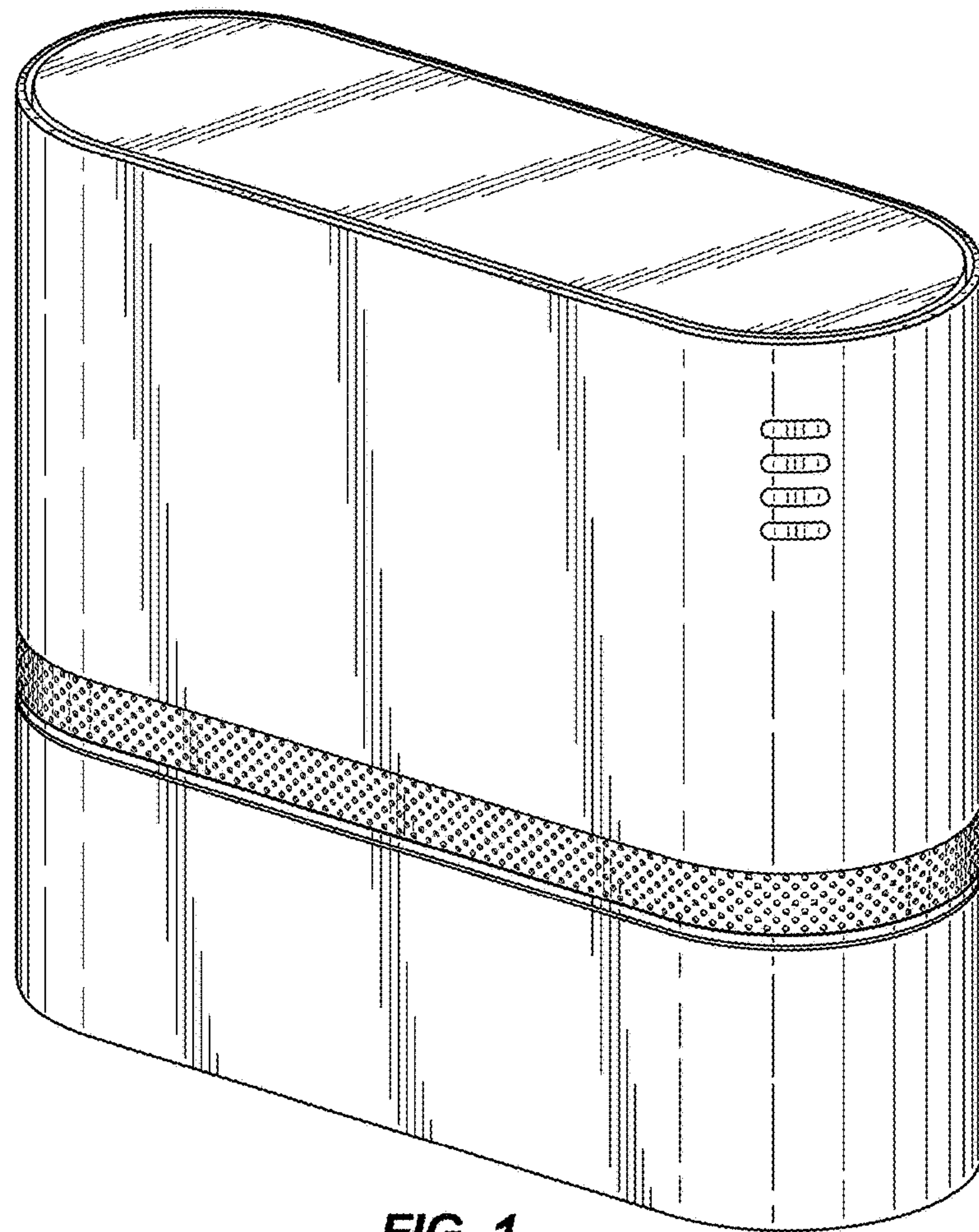


FIG. 1

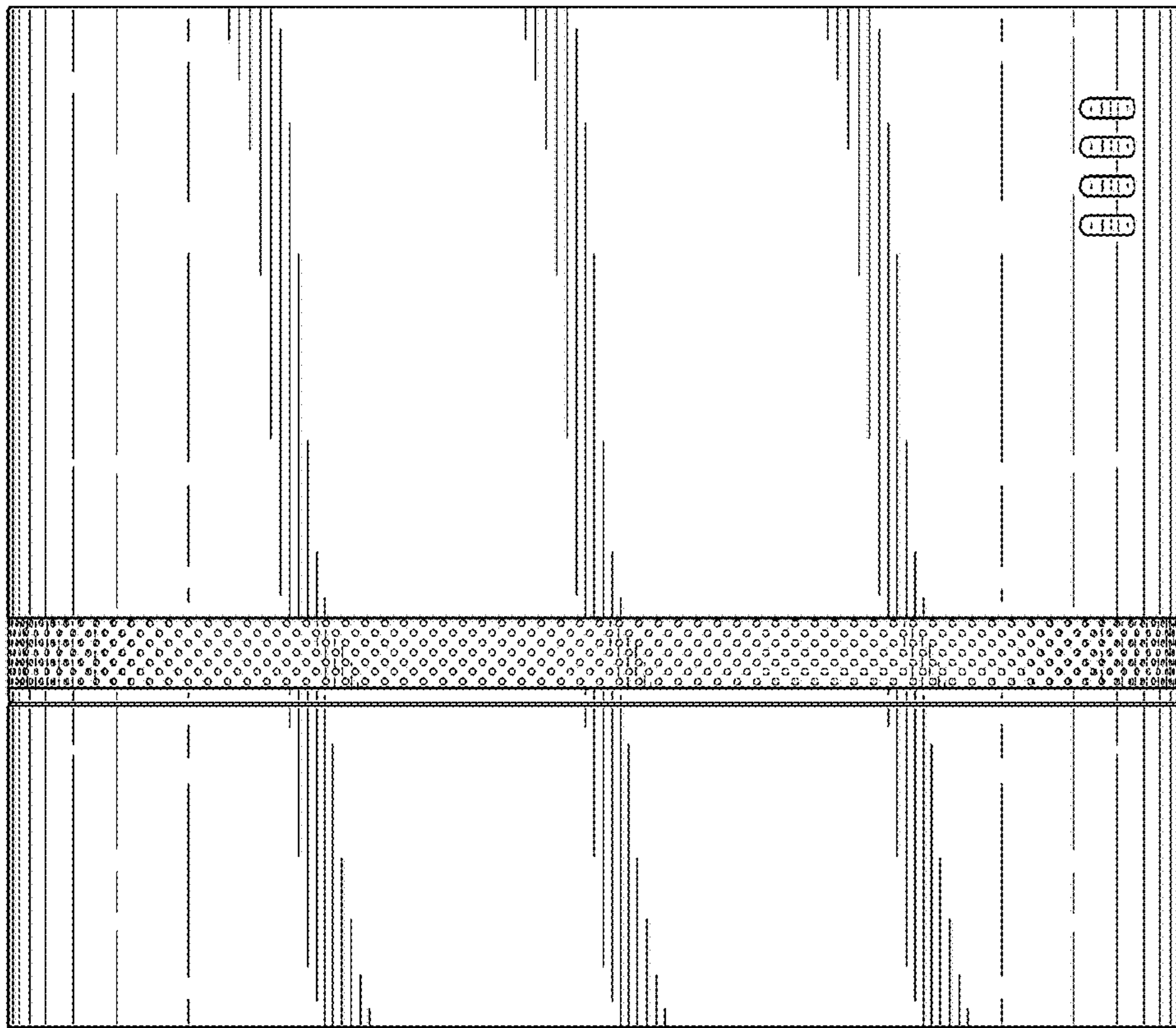


FIG. 2

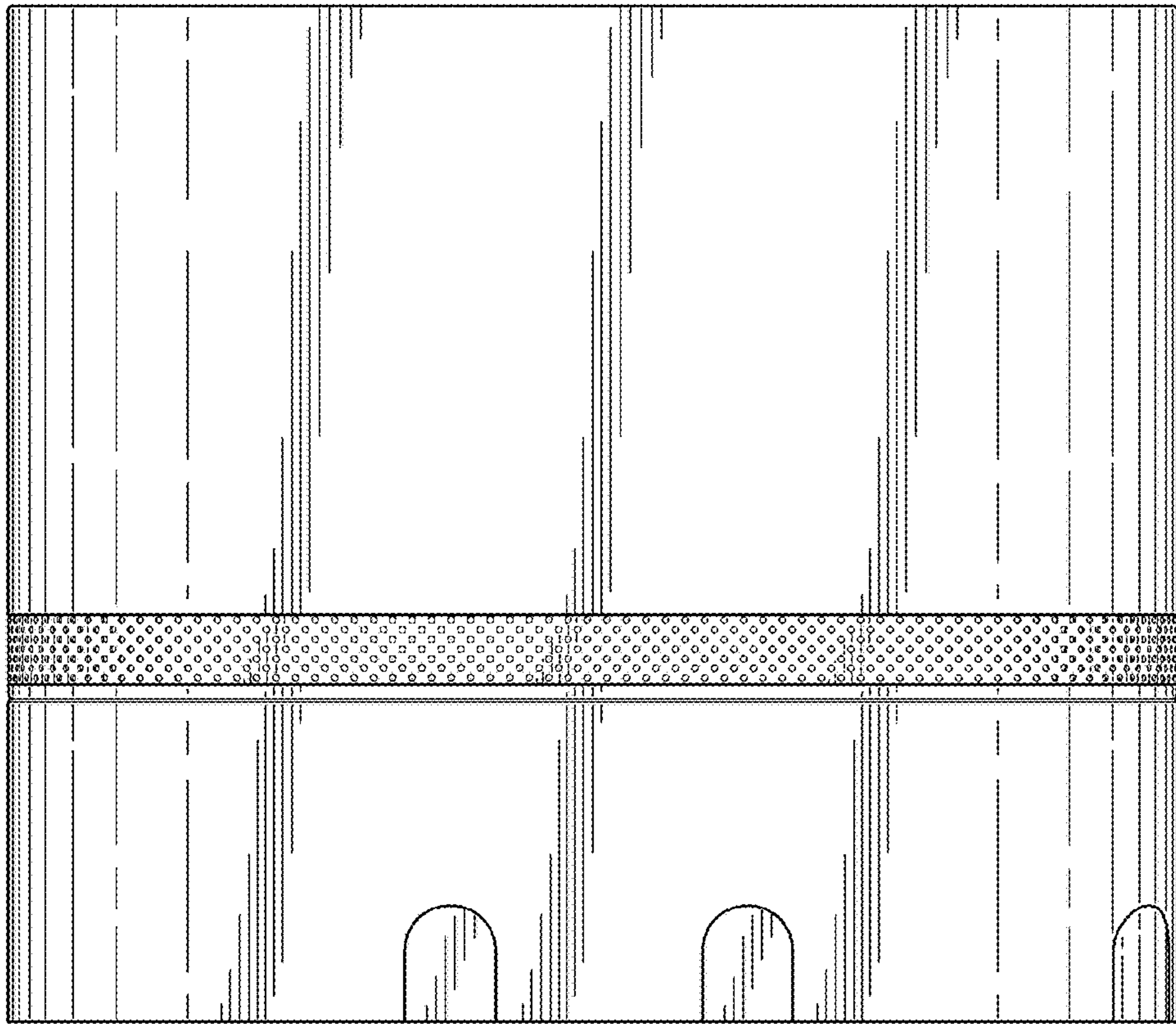


FIG. 3

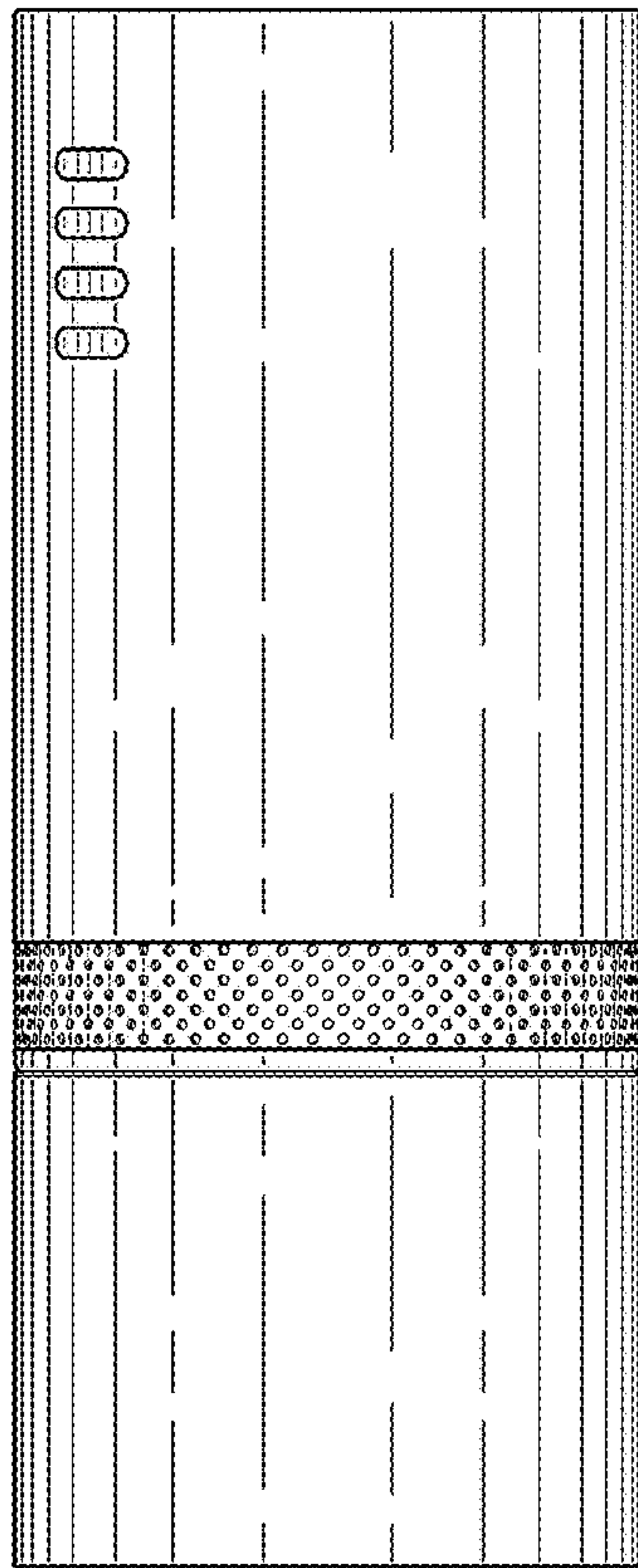


FIG. 4

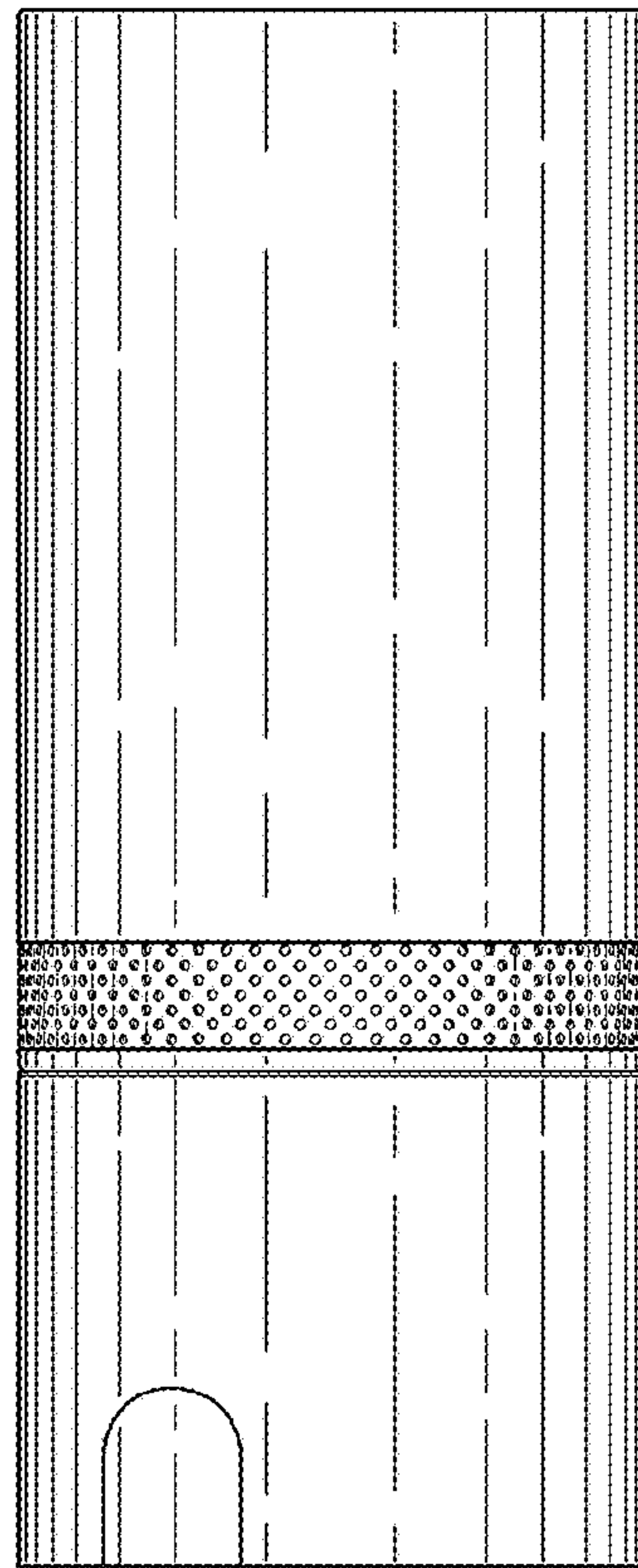


FIG. 5

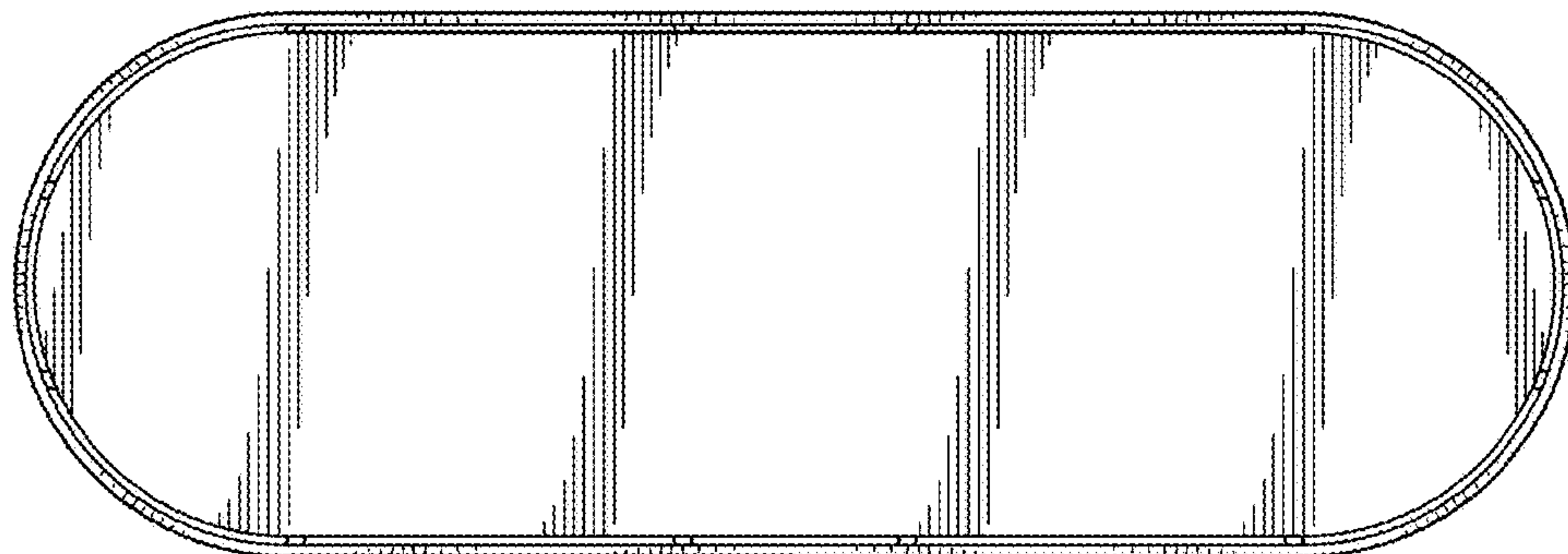


FIG. 6

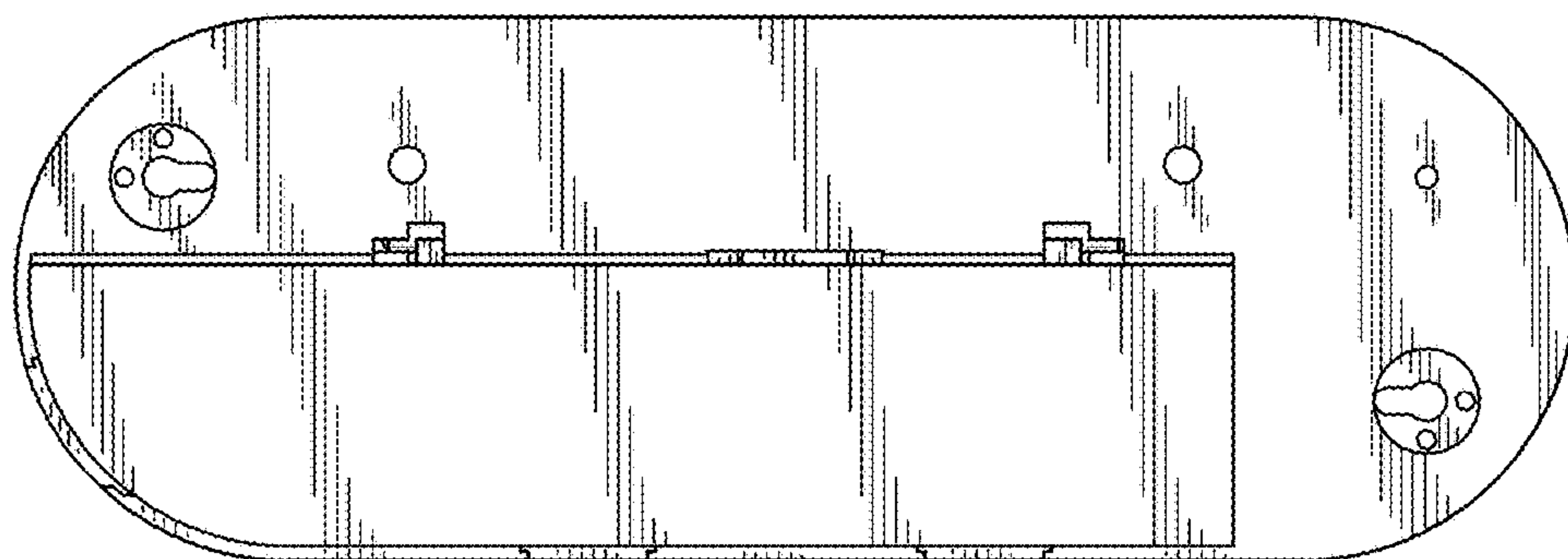


FIG. 7