



US00D847107S

(12) **United States Design Patent** (10) **Patent No.:** **US D847,107 S**
Cleveland et al. (45) **Date of Patent:** **** Apr. 30, 2019**

(54) **POLE-MOUNTABLE DIGITAL BANNER**

(71) Applicant: **Duke Energy Corporation**, Charlotte, NC (US)

(72) Inventors: **James Cleveland**, Cornelius, NC (US); **Gregory S Tribbe**, New York, NY (US); **Louis Lombardi**, Maplewood, NJ (US); **Gilbert DeFreitas**, Palm Coast, FL (US); **Shanda Hardin**, Charlotte, NC (US)

(73) Assignee: **Duke Energy Corporation**, Charlotte, NC (US)

(**) Term: **15 Years**

(21) Appl. No.: **29/593,127**

(22) Filed: **Feb. 6, 2017**

(51) **LOC (11) Cl.** **14-03**

(52) **U.S. Cl.**
USPC **D14/126**

(58) **Field of Classification Search**
USPC D14/125-134, 239, 371, 136, 374-377, D14/440, 450, 448, 336, 342, 159;
(Continued)

(56) **References Cited**

U.S. PATENT DOCUMENTS

5,212,898 A *	5/1993	Dinan	G09F 7/18
				248/219.4
6,233,858 B1 *	5/2001	Brach, Jr.	G09F 3/20
				40/606.18

(Continued)

OTHER PUBLICATIONS

“New technology provides all-in-one lighting, sound, and public safety applications” *Downtown Idea Exchange* 2 pages. (Feb. 2012).

(Continued)

Primary Examiner — Randall H Gholson

(74) *Attorney, Agent, or Firm* — Myers Bigel, P.A.

(57) **CLAIM**

The ornamental design for a pole-mountable digital banner, as shown and described.

DESCRIPTION

FIG. 1 is a front perspective view of a first embodiment of a pole-mountable digital banner, showing our design;

FIG. 2 is a front view thereof;

FIG. 3 is a rear view thereof;

FIG. 4 is a side view thereof;

FIG. 5 is an opposing side view thereof;

FIG. 6 is a top view thereof;

FIG. 7 is a bottom view thereof;

FIG. 8 is a front perspective environmental view thereof;

FIG. 9 is another front perspective environmental view thereof;

FIG. 10 is a front perspective view of a second embodiment of a pole-mountable digital banner, showing our design;

FIG. 11 is a front view thereof;

FIG. 12 is a rear view thereof;

FIG. 13 is a side view thereof;

FIG. 14 is an opposing side view thereof;

FIG. 15 is a top view thereof;

FIG. 16 is a bottom view thereof;

FIG. 17 is a front perspective environmental view thereof;

FIG. 18 is a front perspective view of a third embodiment of a pole-mountable digital banner(s), showing our design;

FIG. 19 is a front view thereof;

FIG. 20 is a rear view thereof;

FIG. 21 is a side view thereof;

FIG. 22 is an opposing side view thereof;

FIG. 23 is a top view thereof;

FIG. 24 is a bottom view thereof;

FIG. 25 is a front perspective environmental view thereof;

FIG. 26 is another front perspective environmental view thereof;

FIG. 27 is a front perspective view of a fourth embodiment of a pole-mountable digital banner(s), showing our design;

FIG. 28 is a front view thereof;

FIG. 29 is a rear view thereof;

(Continued)

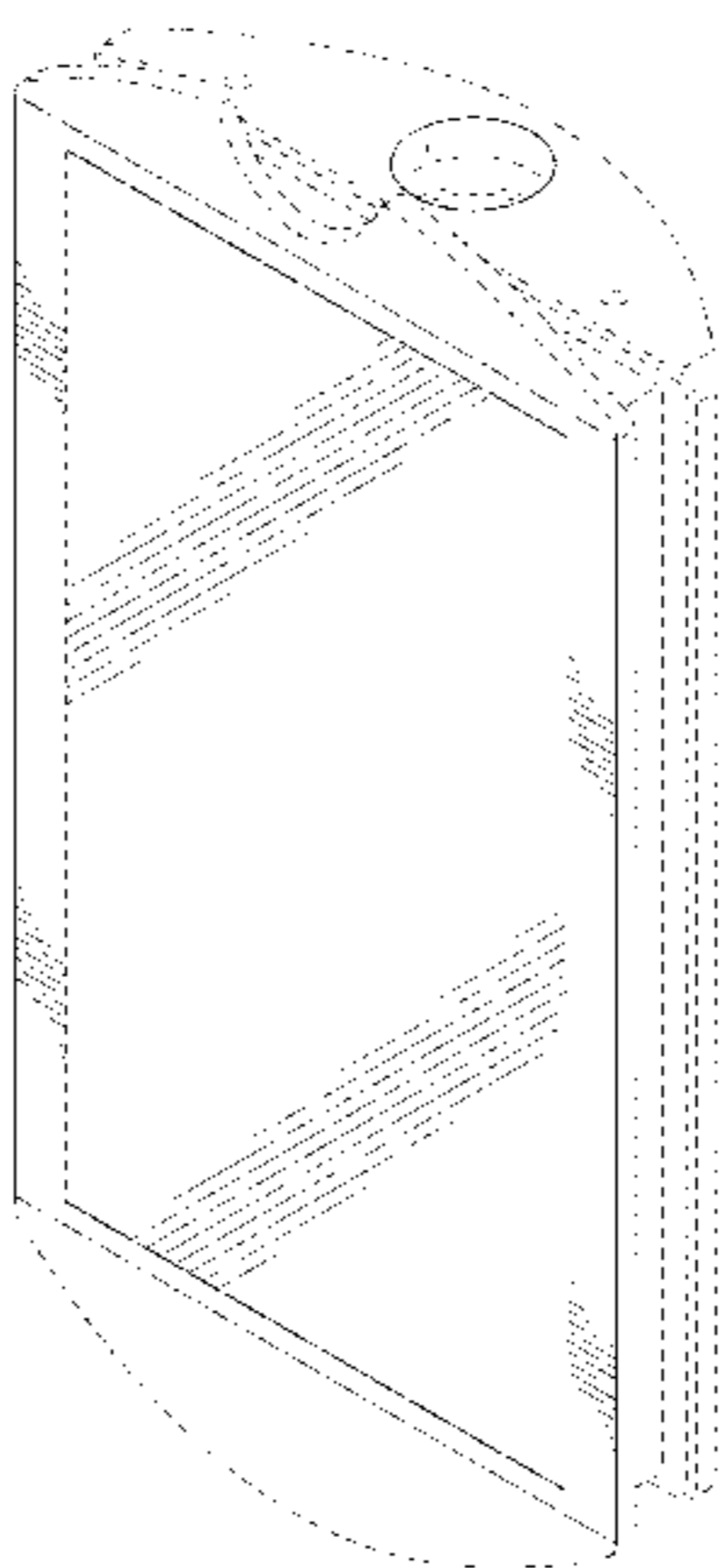


FIG. 30 is a side view thereof;
FIG. 31 is an opposing side view thereof;
FIG. 32 is a top view thereof;
FIG. 33 is a bottom view thereof; and,
FIG. 34 is a front perspective environmental view thereof.
The broken lines shown herein are for illustrative purposes only and form no part of the claimed design. The diagonal lines in FIGS. 1, 2, 8-11, 17-20, 25-29, and 34 indicate a transparent protective surface over a digital display screen.

1 Claim, 28 Drawing Sheets

(58) **Field of Classification Search**

USPC 312/7.2; 348/836, 838, 180, 184, 325,
348/739; 248/917-924, 465; 345/104,
345/133, 156, 168, 87, 173; D21/329,
D21/515, 577, 622, 333, 433, 448, 452,
D21/450, 331, 505; D10/15, 26;
446/484, 175, 356; D6/477, 479, 300;
D24/185; D34/14

CPC ... G06F 1/1601; G06F 1/1643; H05K 5/0004;
H05K 5/0017; H05K 5/02; H05K 5/0217
See application file for complete search history.

(56)

References Cited

U.S. PATENT DOCUMENTS

6,550,170 B1 * 4/2003 Cooper G09F 15/0037
248/218.4
D483,411 S * 12/2003 Herbst D20/41
D492,732 S * 7/2004 Herbst D20/41
D497,393 S * 10/2004 Herbst D10/42
6,969,034 B2 * 11/2005 Ware F16L 3/137
248/218.4
D550,663 S * 9/2007 Olea D14/302
D788,226 S * 5/2017 Lueken D14/126
D789,024 S * 6/2017 Baruck D99/43

OTHER PUBLICATIONS

SiteLink® Revolutionary Track System Product Brochure *Holophane*
24 pages. (© 2016).

* cited by examiner

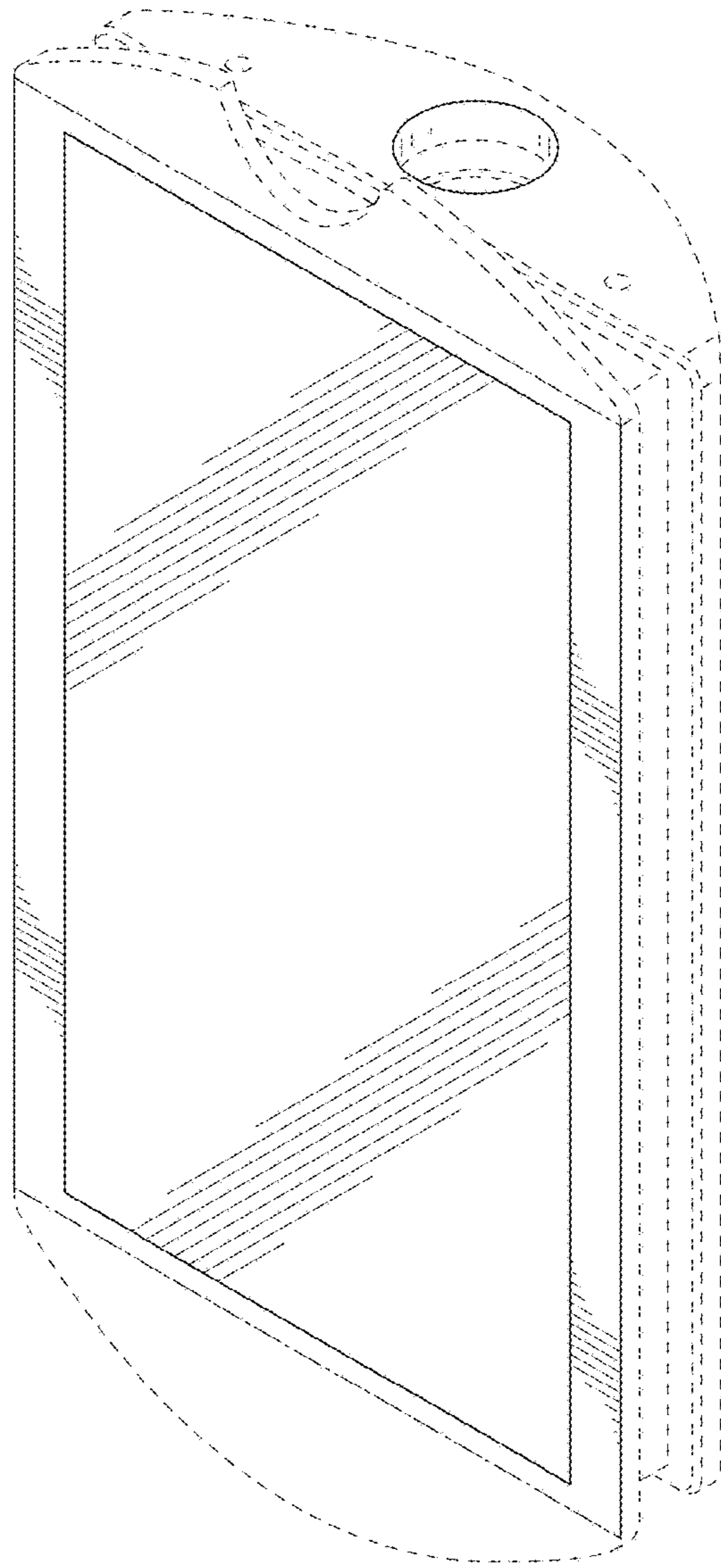


FIG. 1

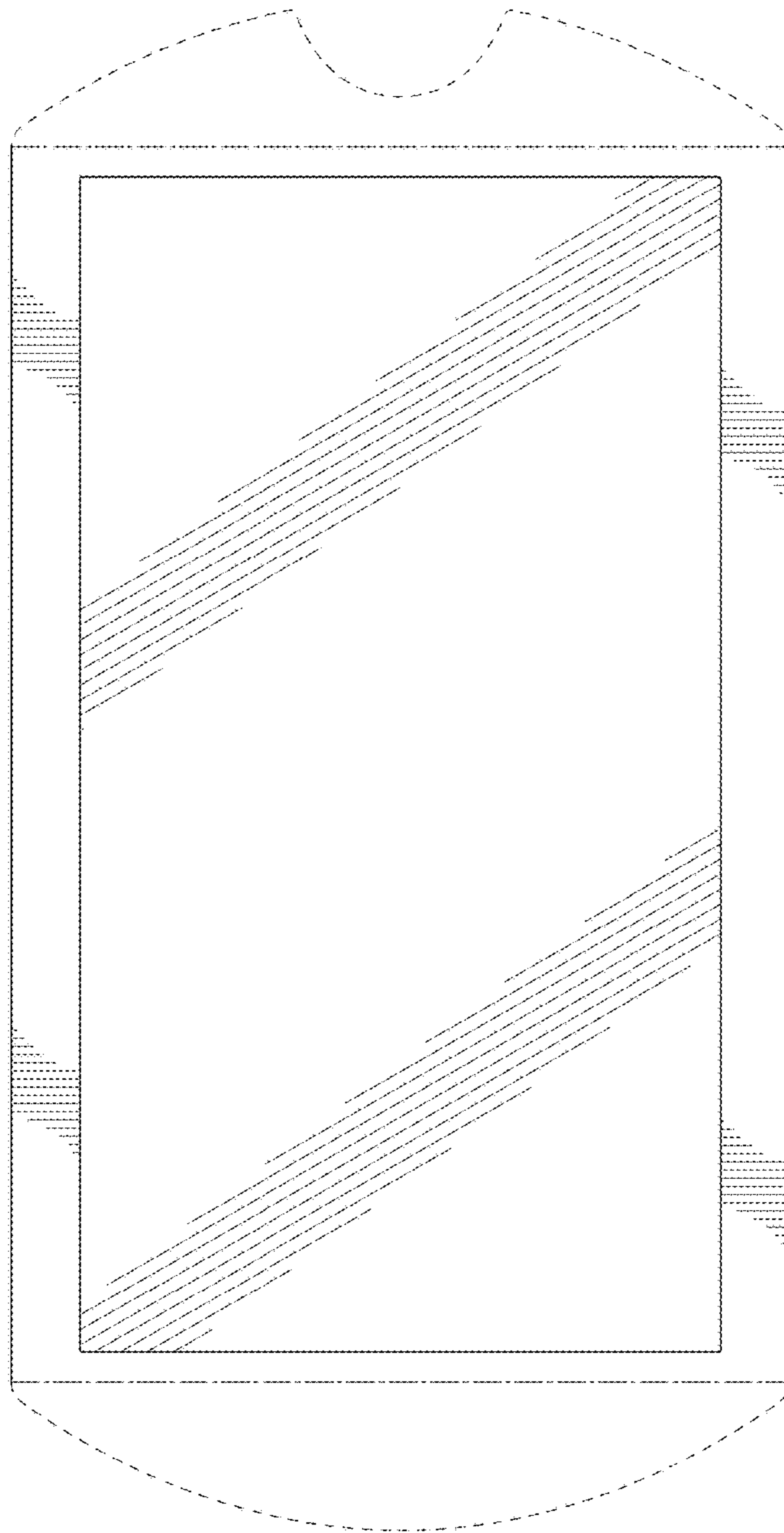


FIG. 2



FIG. 3

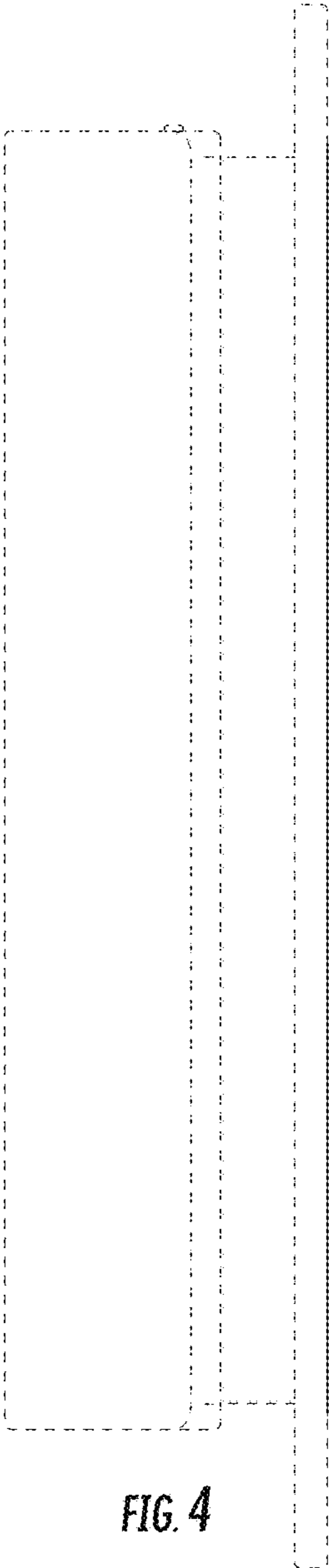


FIG. 4

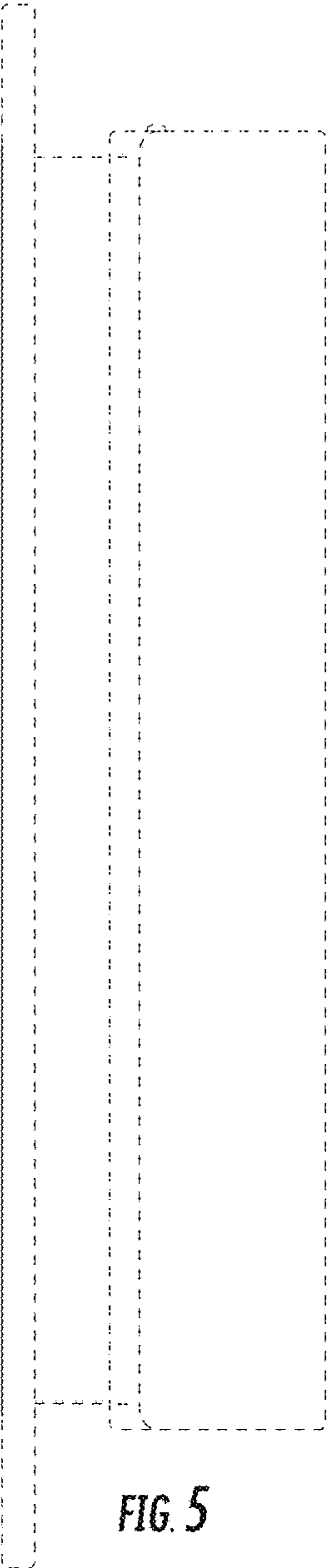


FIG. 5

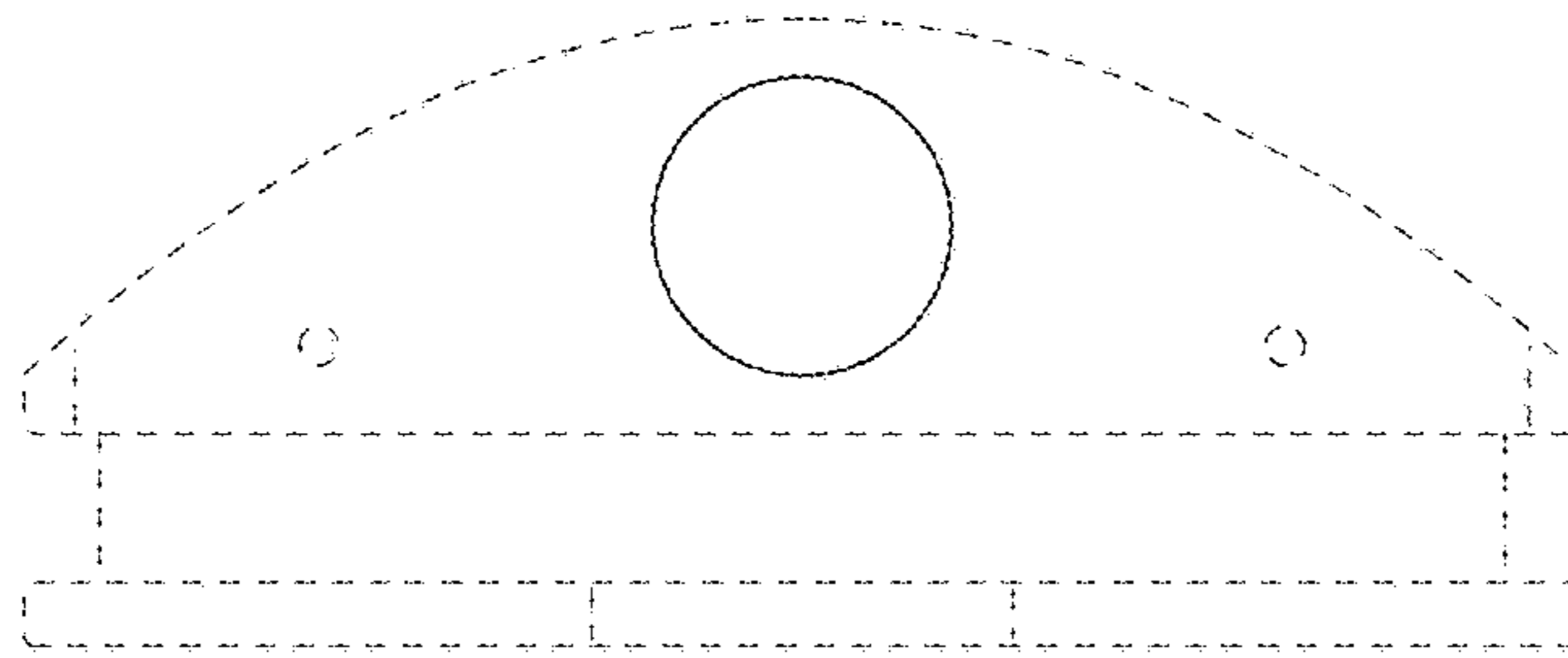


FIG. 6

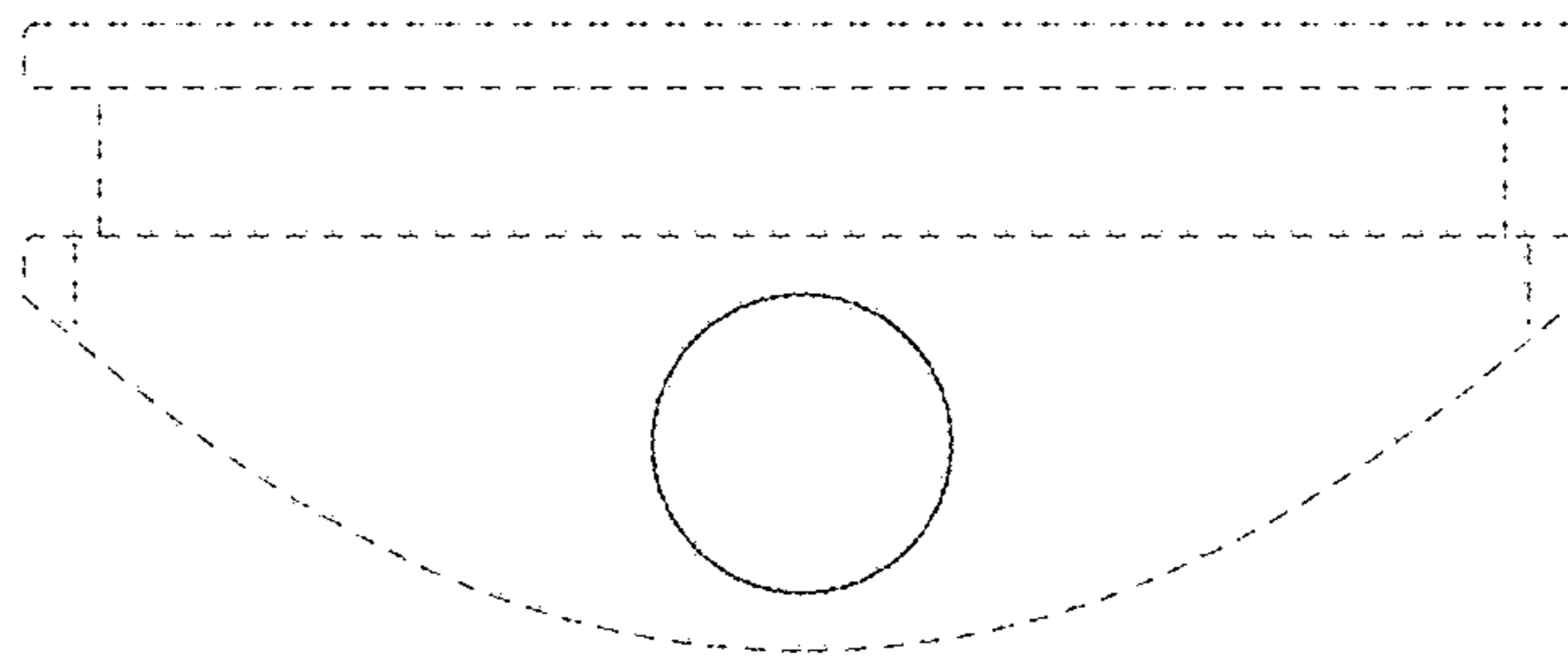


FIG. 7

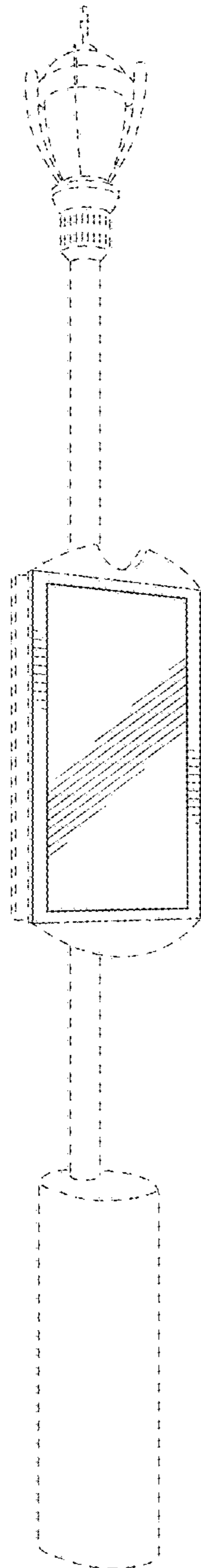


FIG. 8

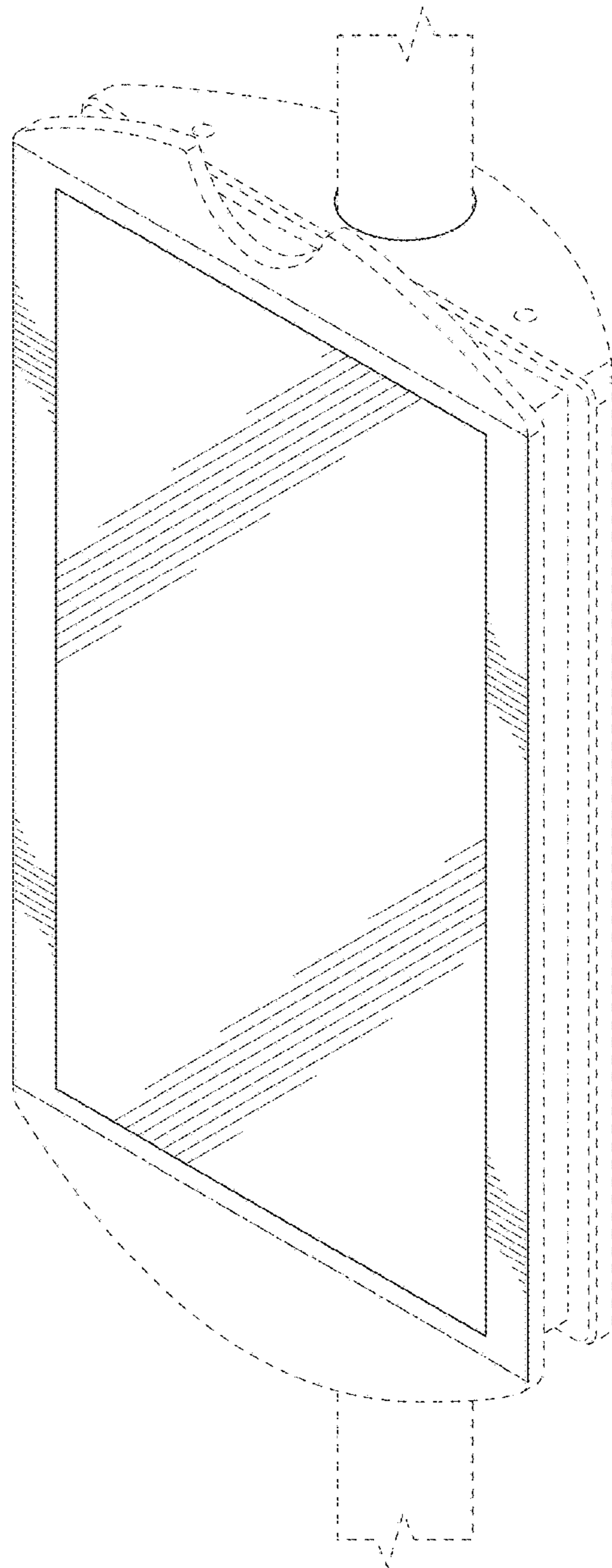


FIG. 9

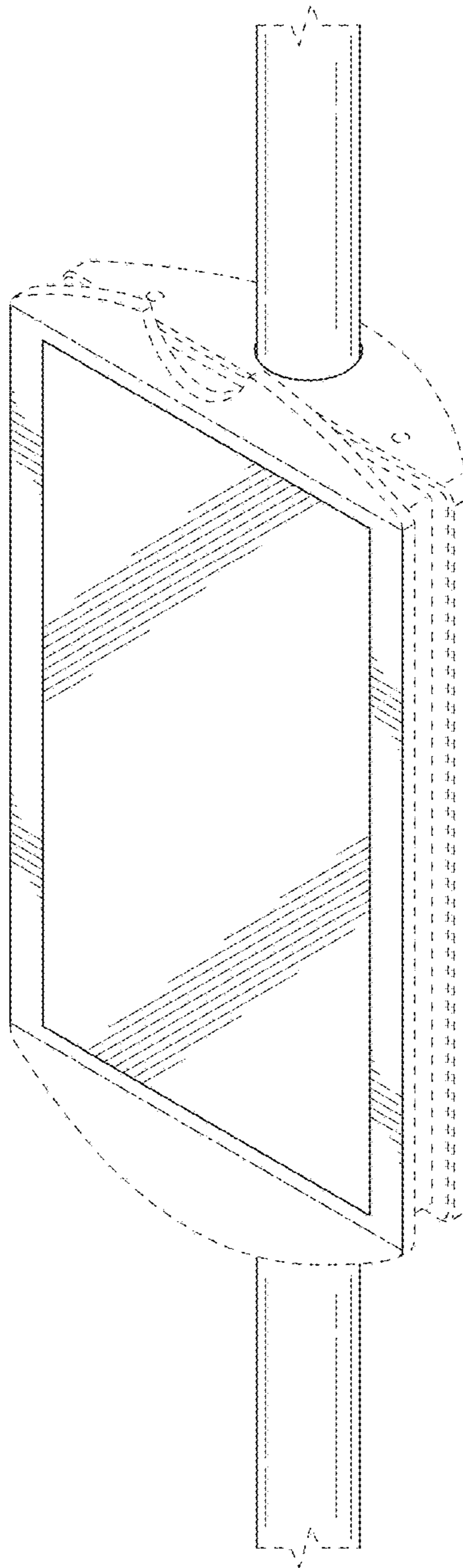


FIG. 10

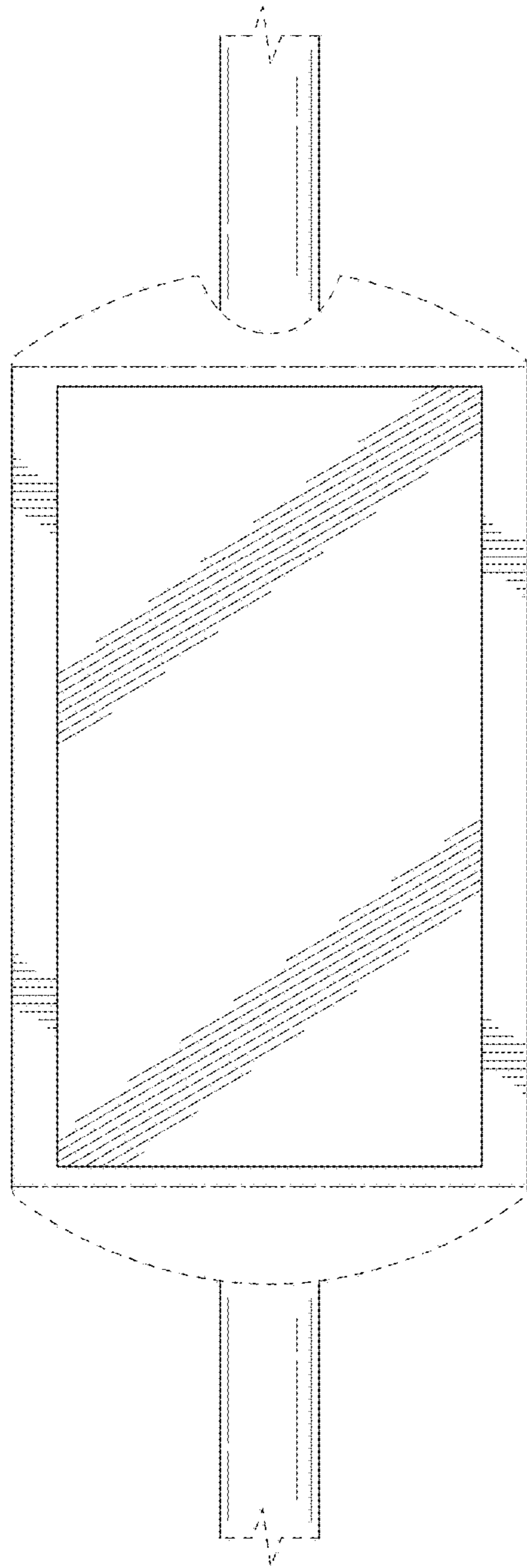


FIG. 11

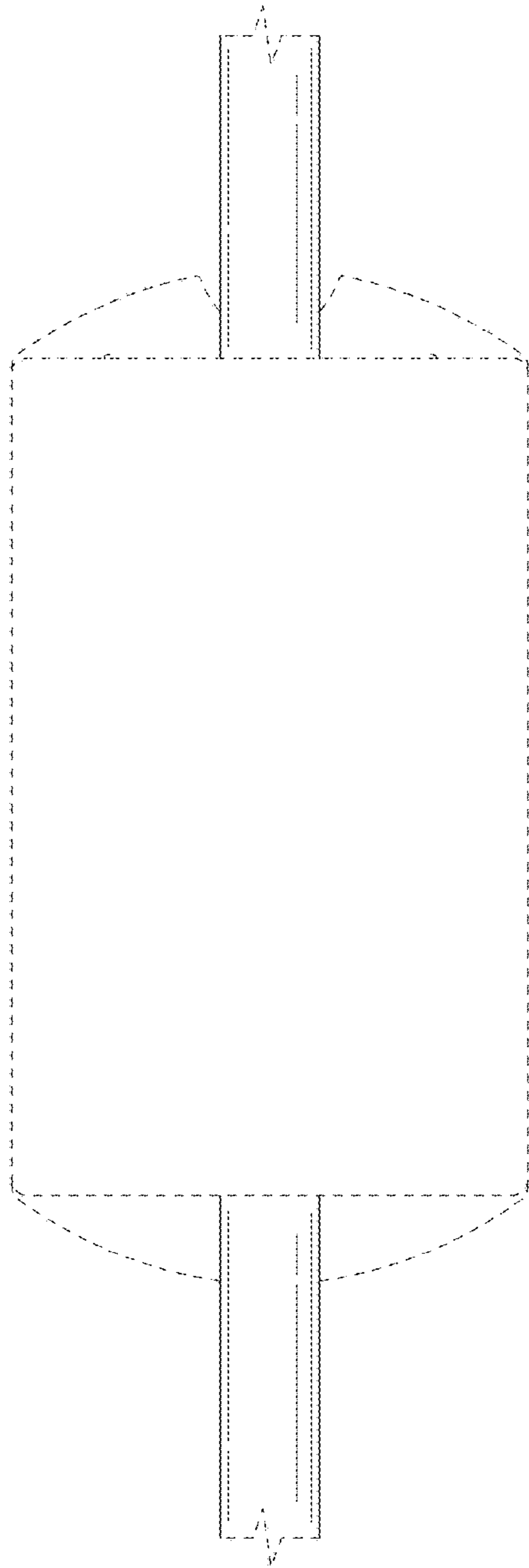


FIG. 12

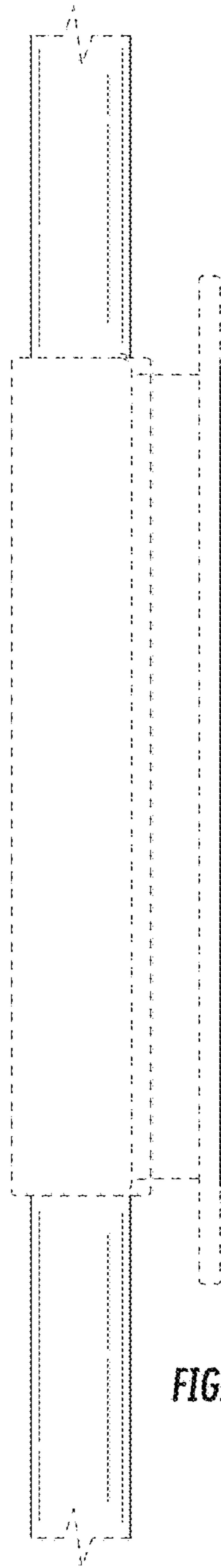


FIG. 13

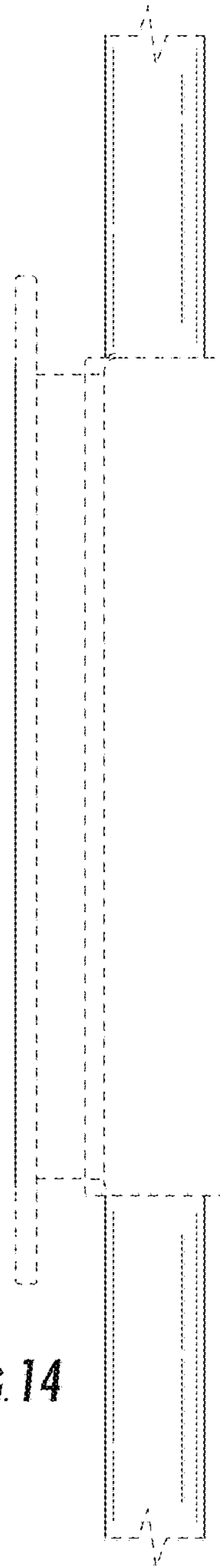


FIG. 14

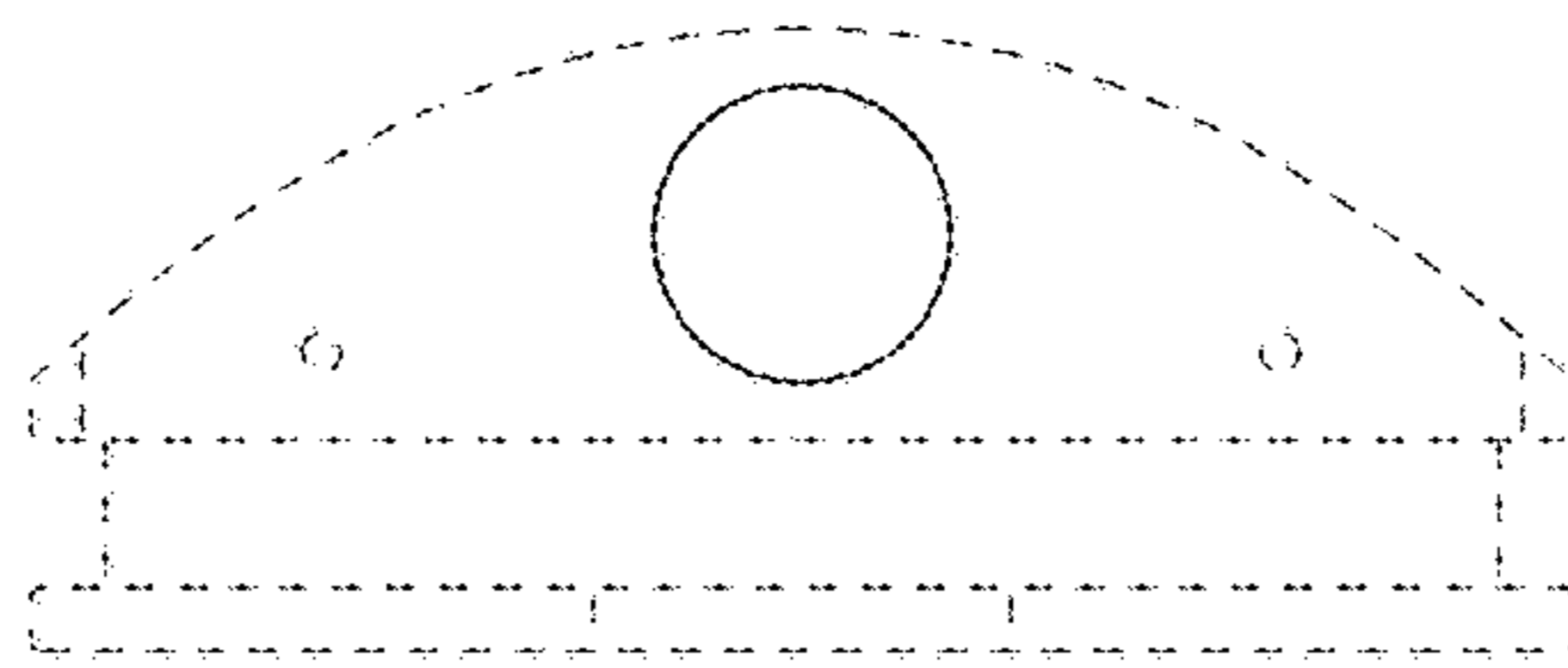


FIG. 15

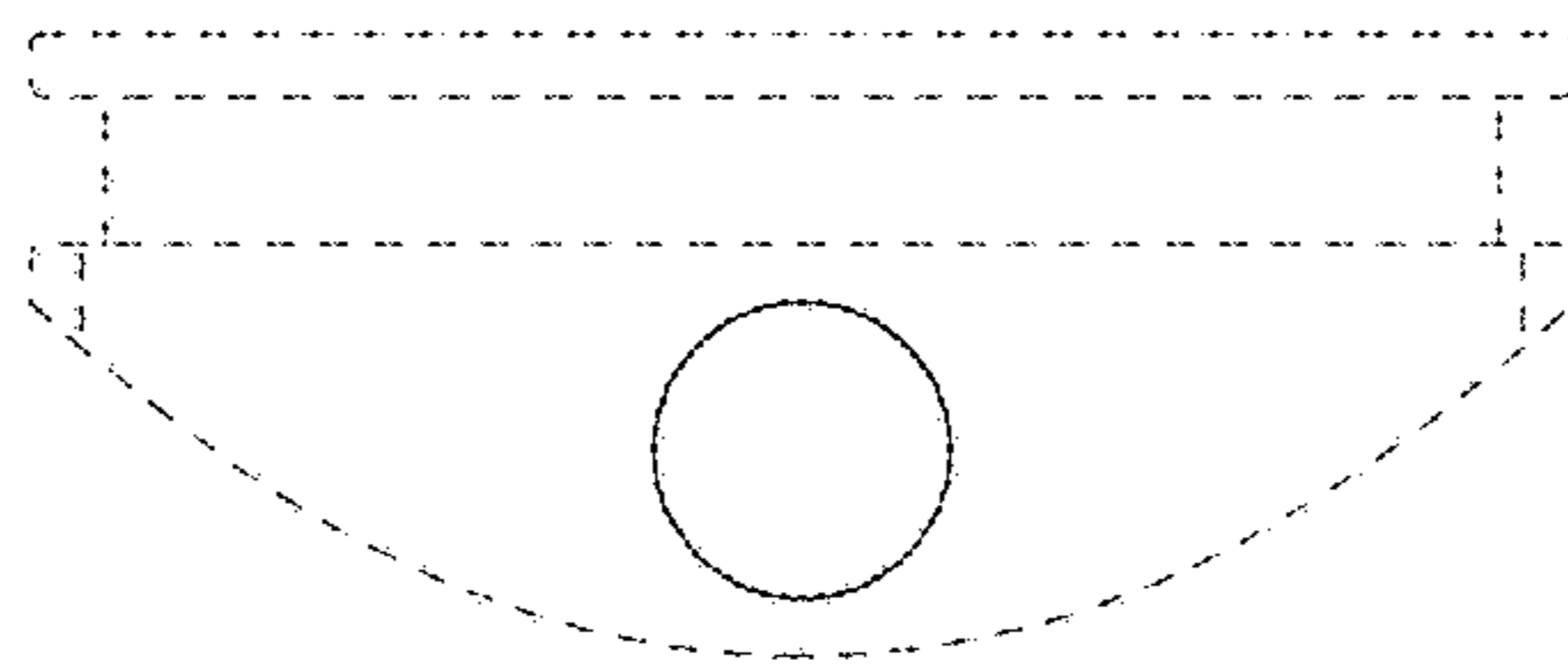


FIG. 16

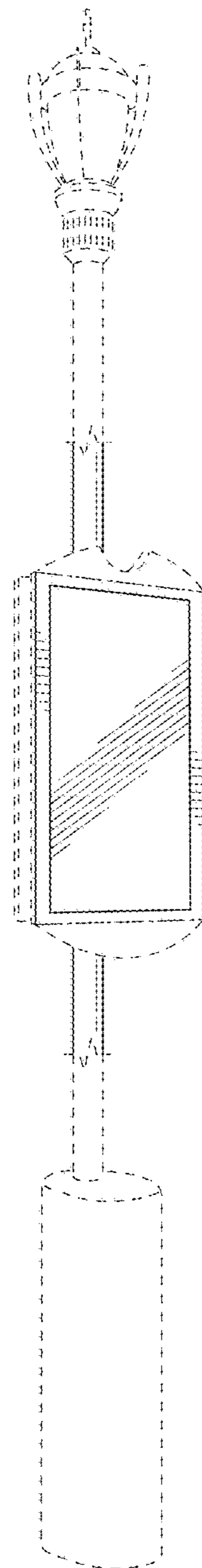


FIG. 17

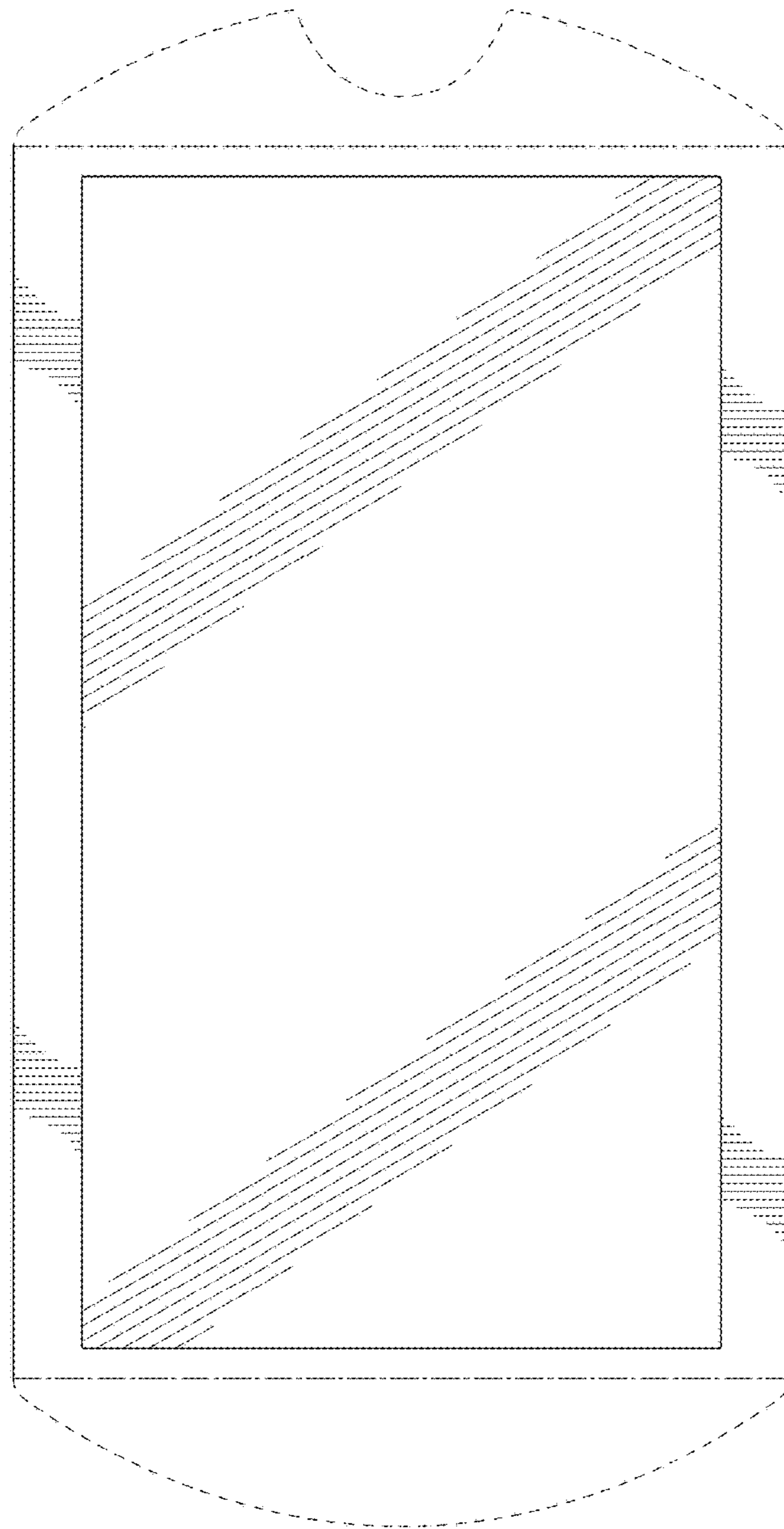


FIG. 19

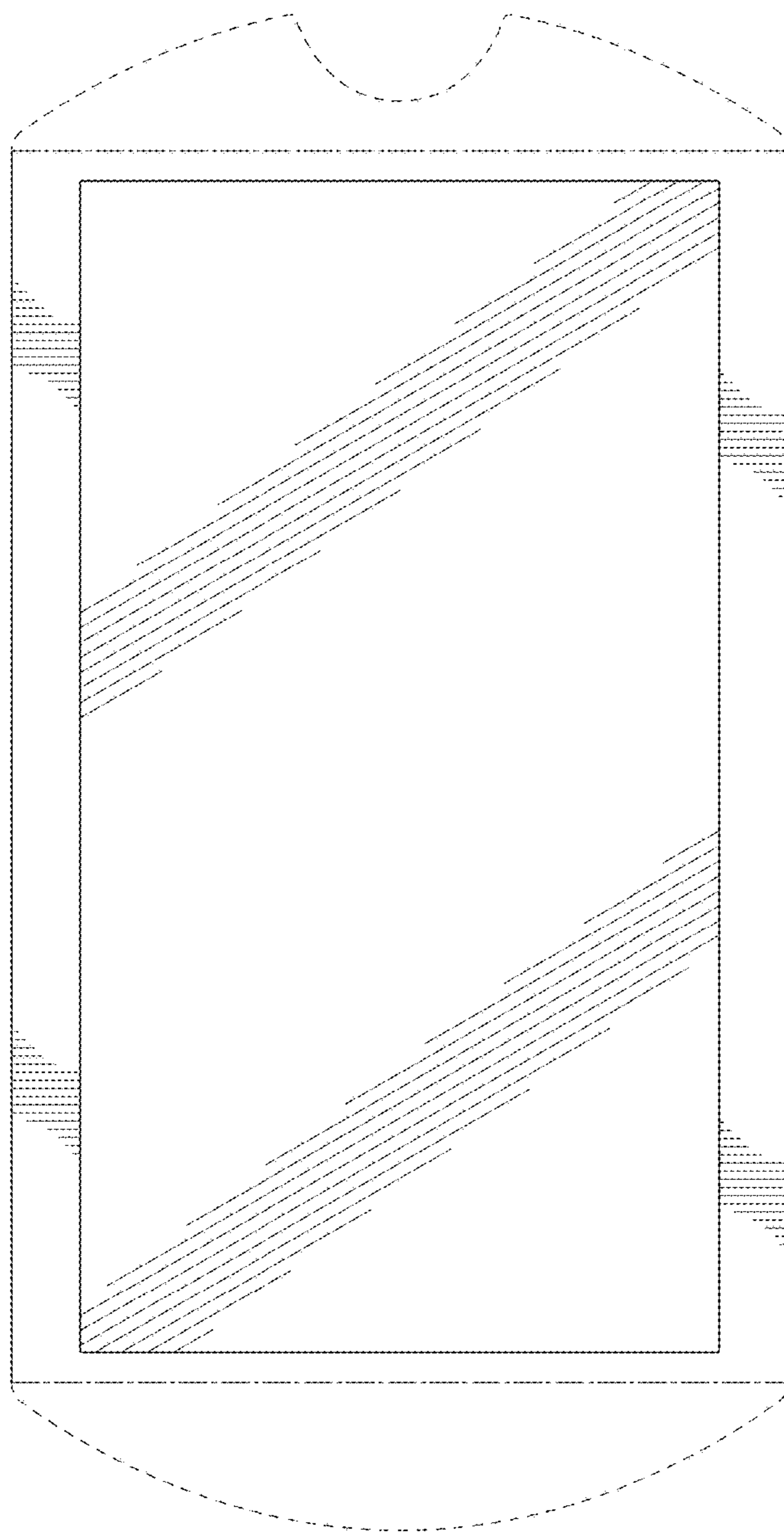


FIG. 20

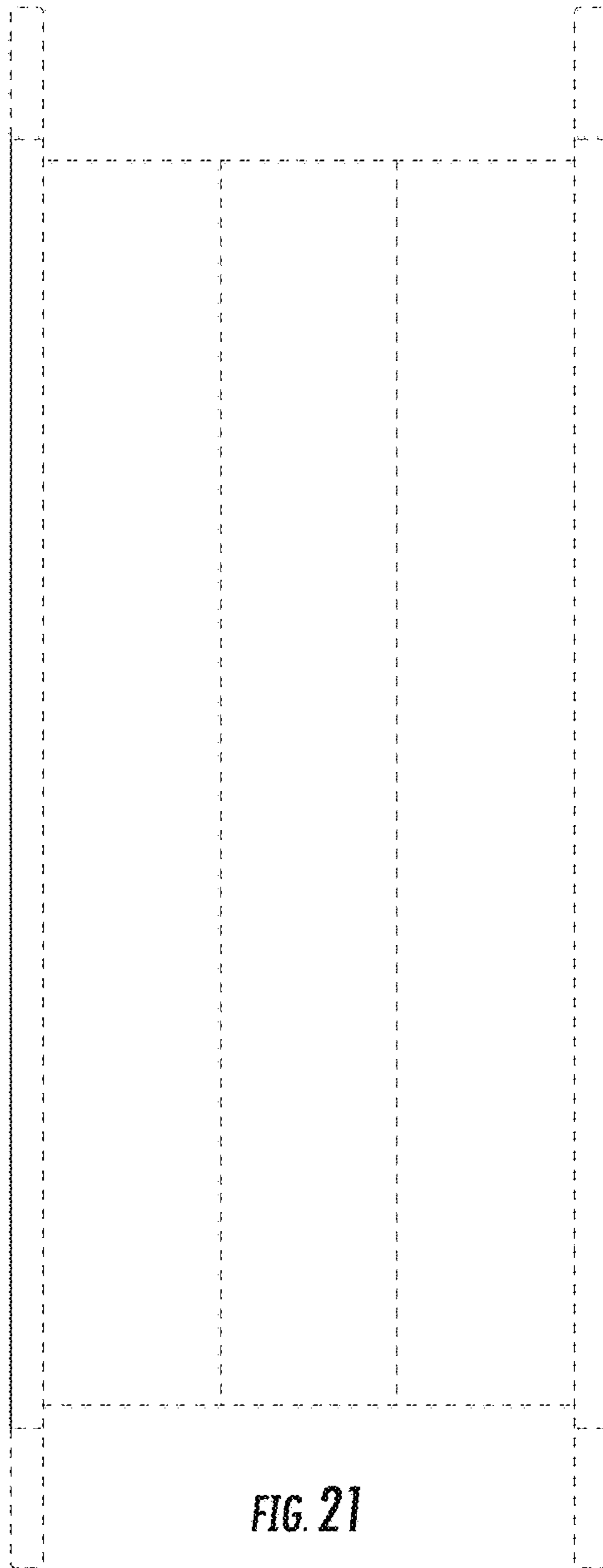


FIG. 21

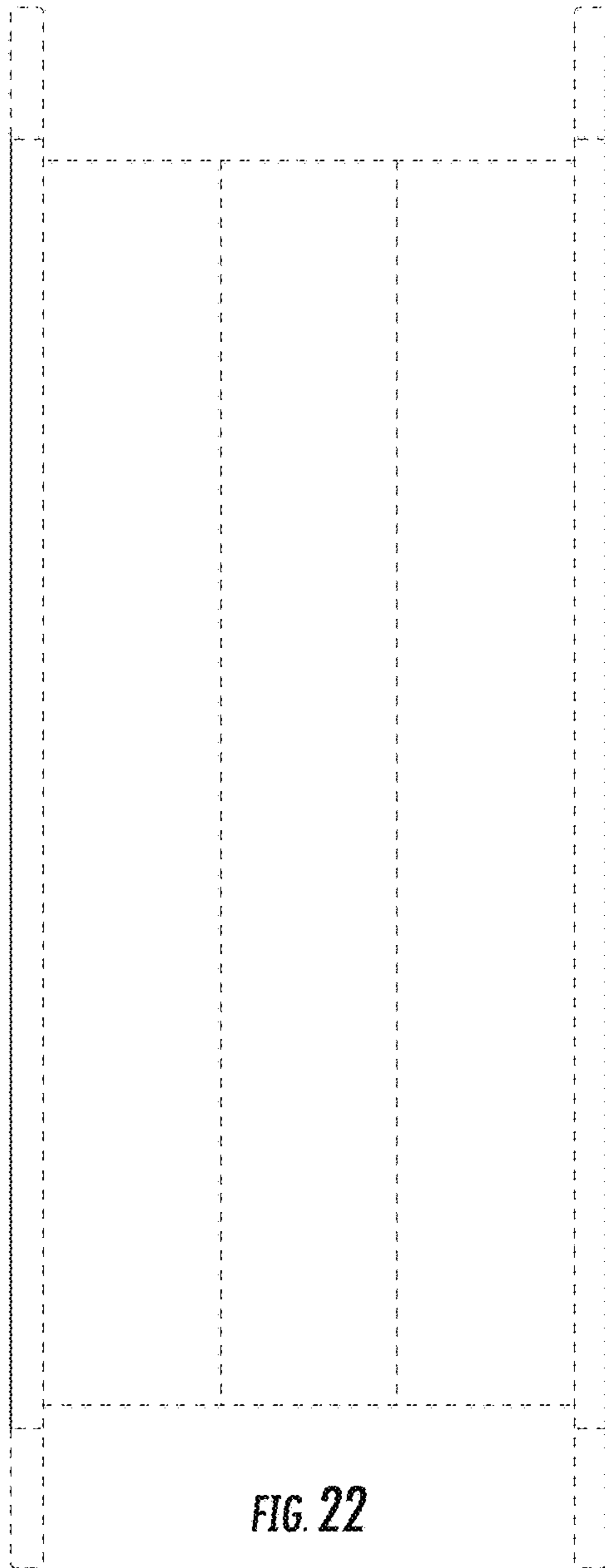


FIG. 22

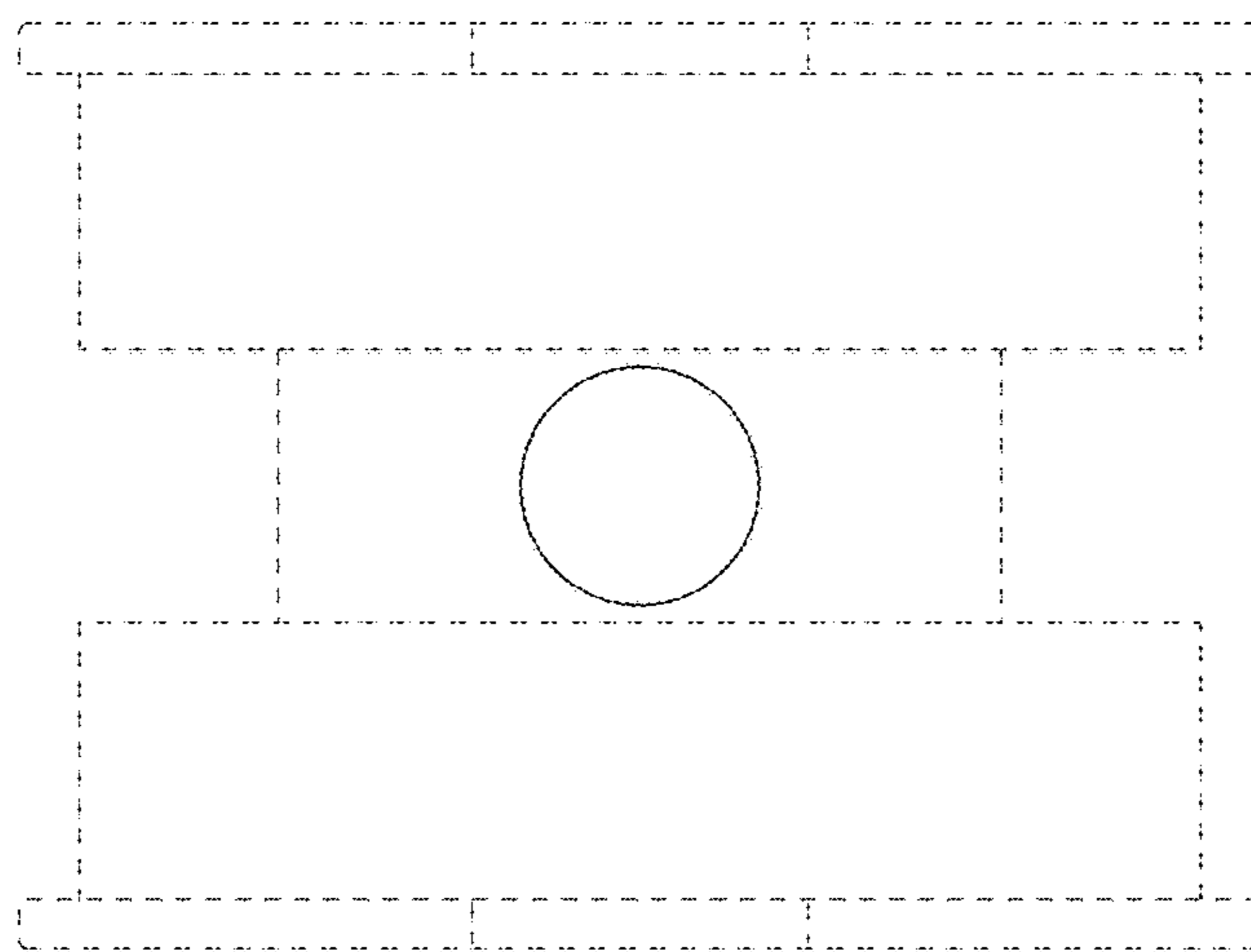


FIG. 23

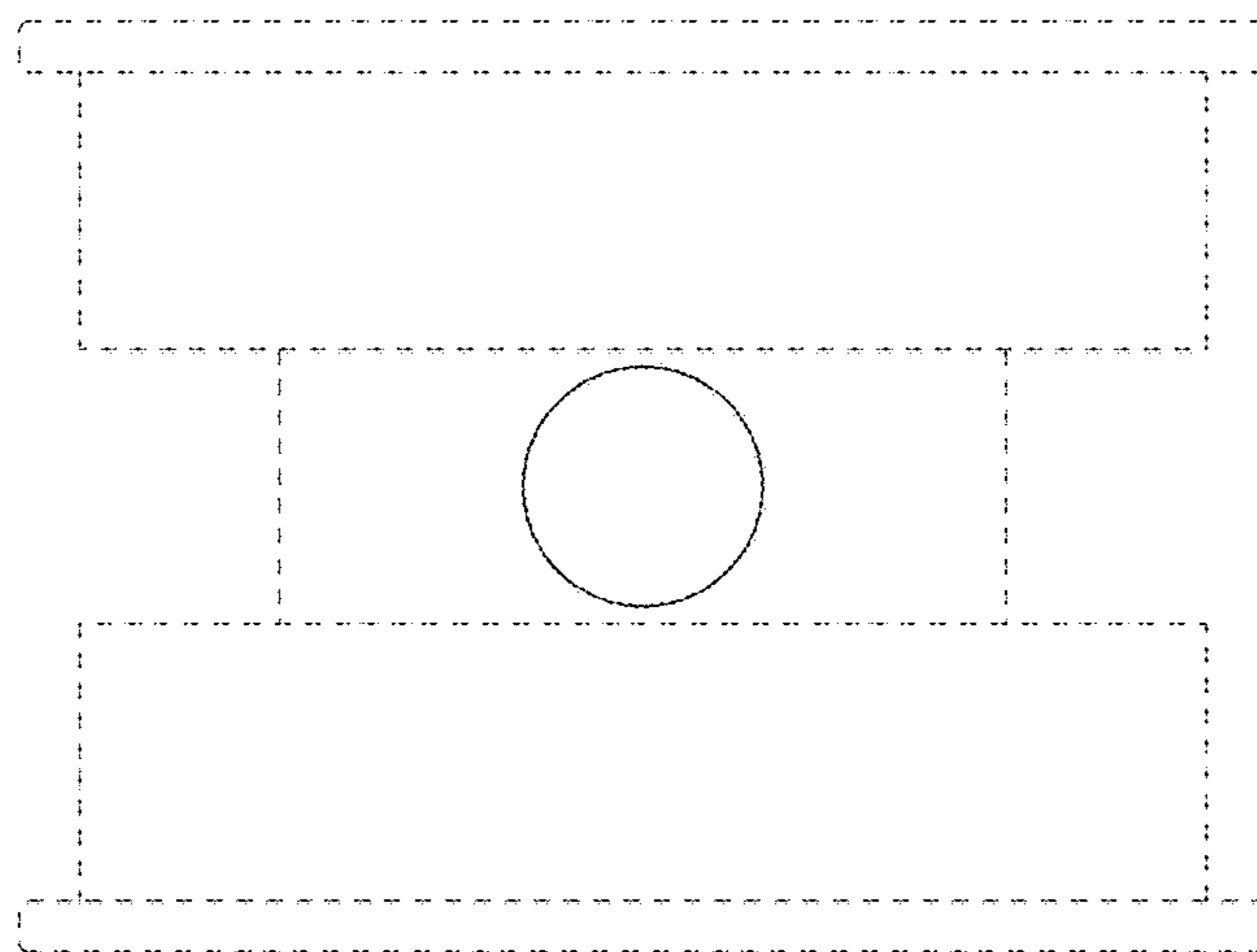


FIG. 24

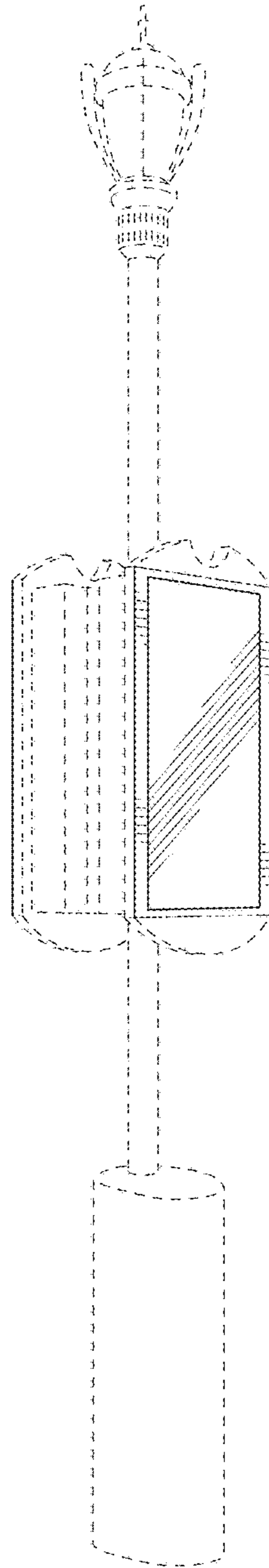
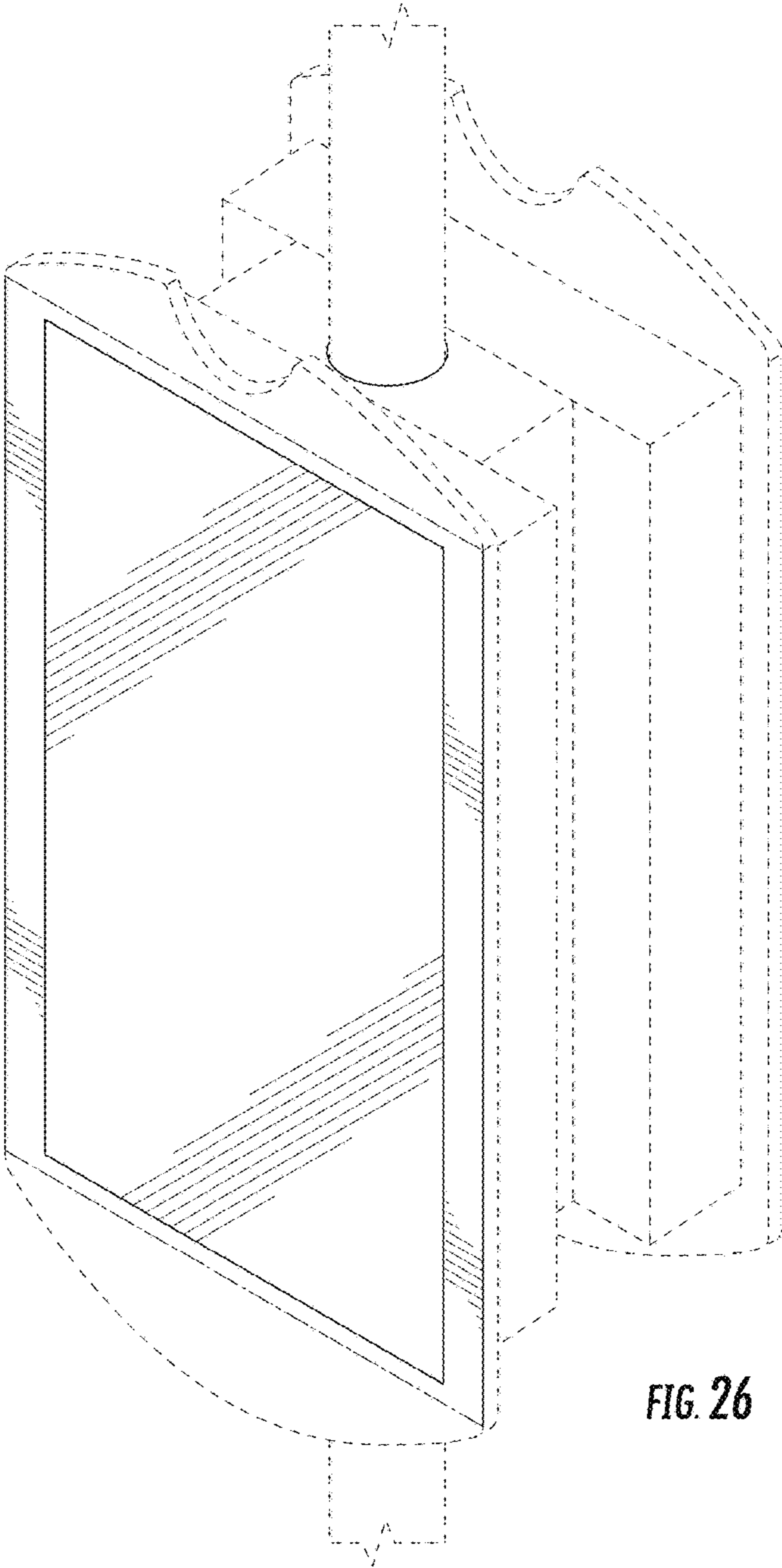
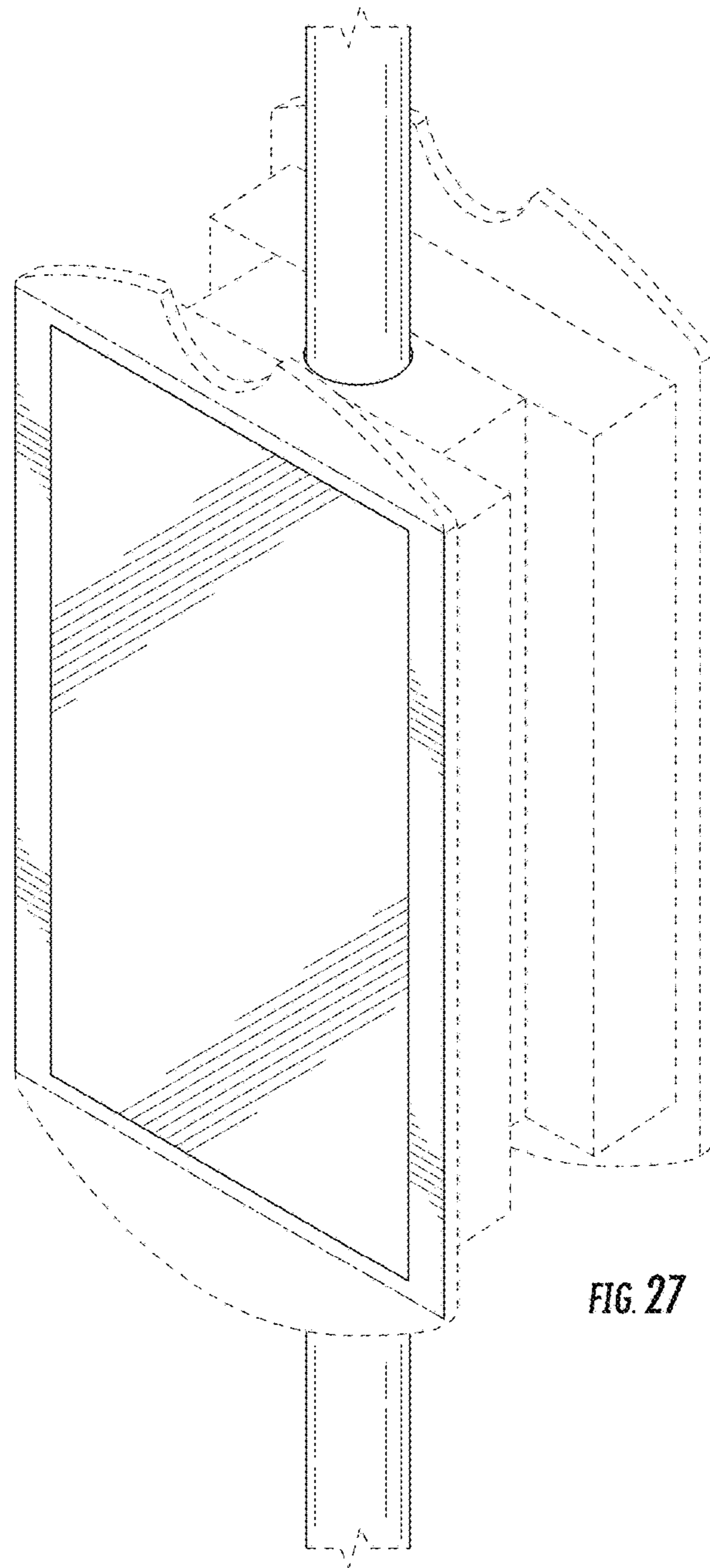


FIG. 25





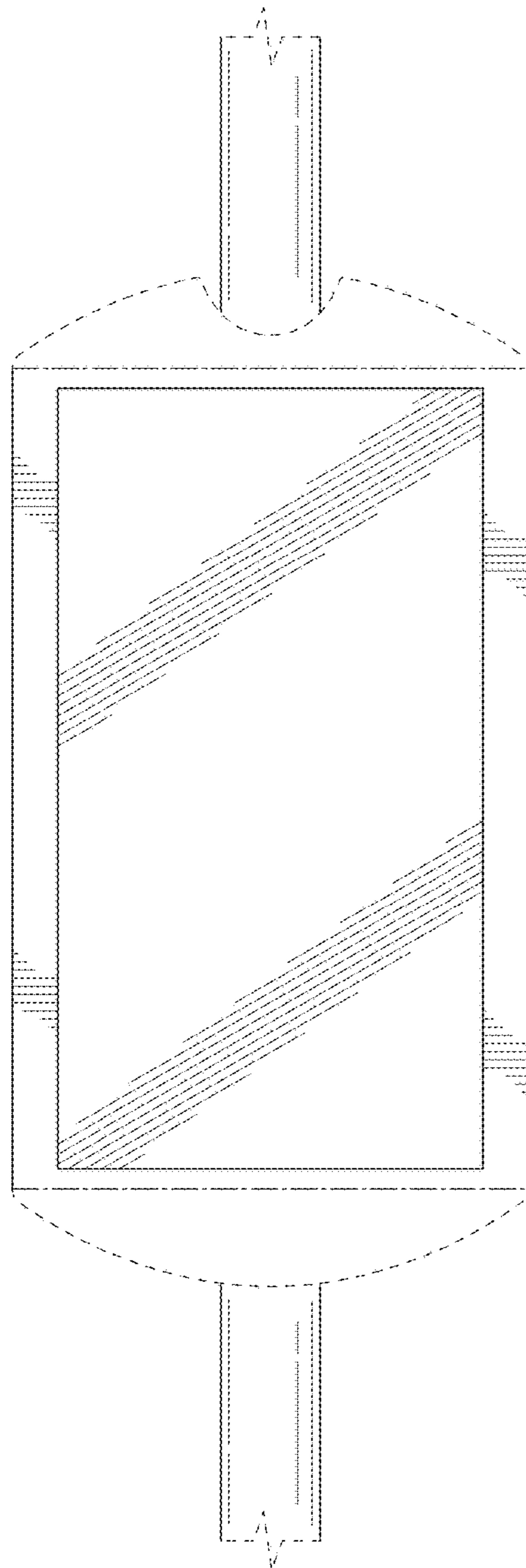


FIG. 28

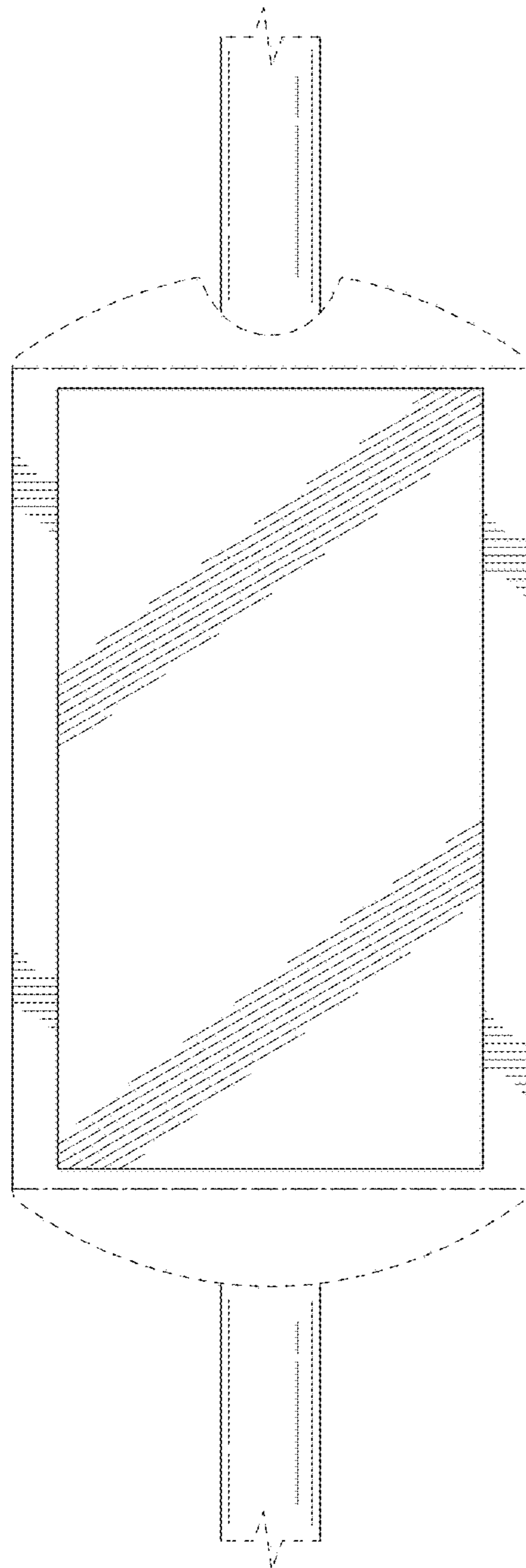


FIG. 29

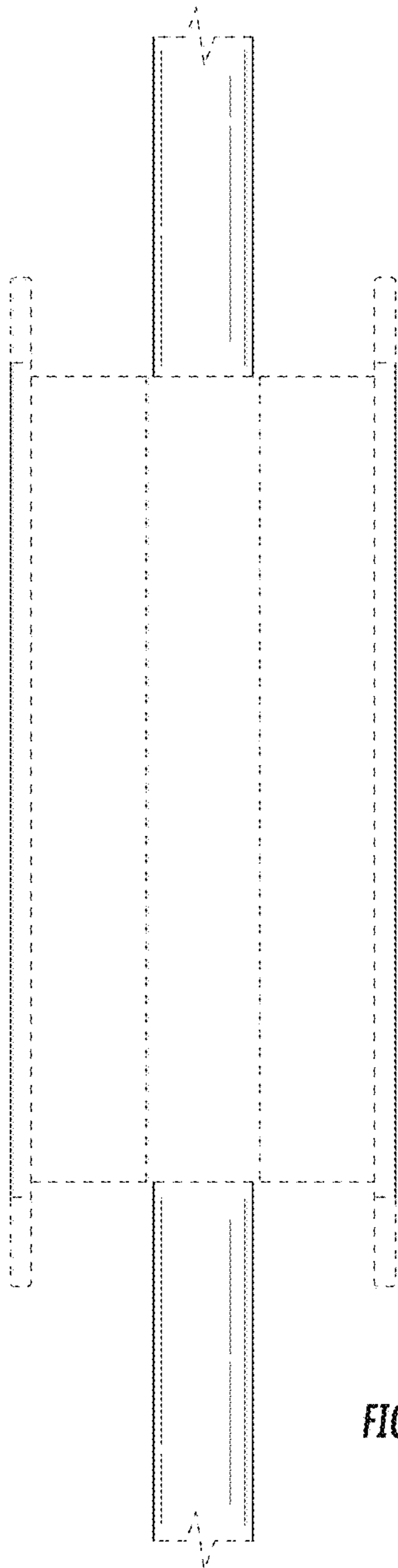


FIG. 30

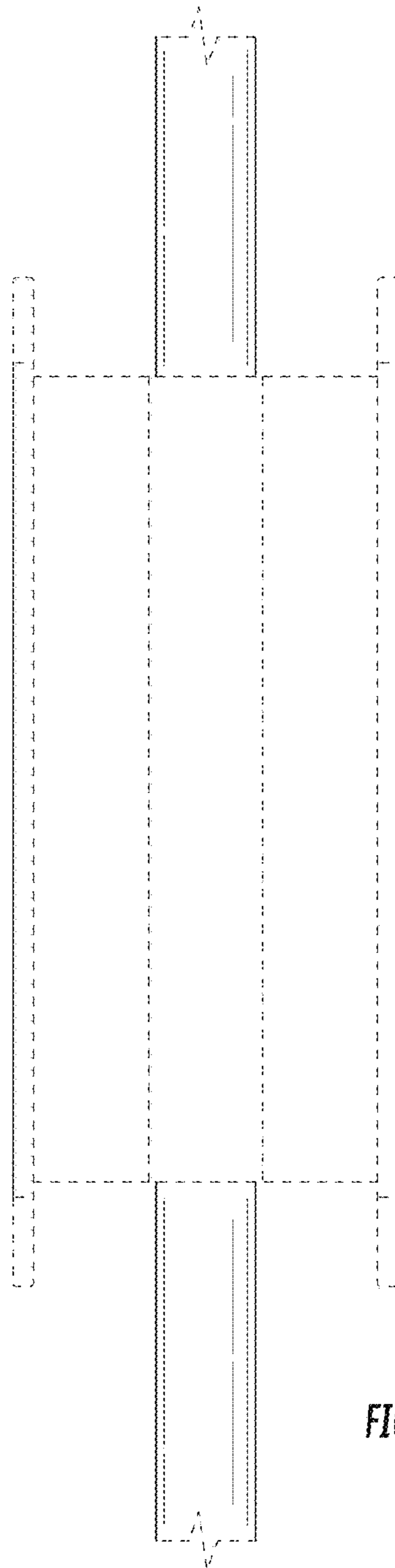


FIG. 31

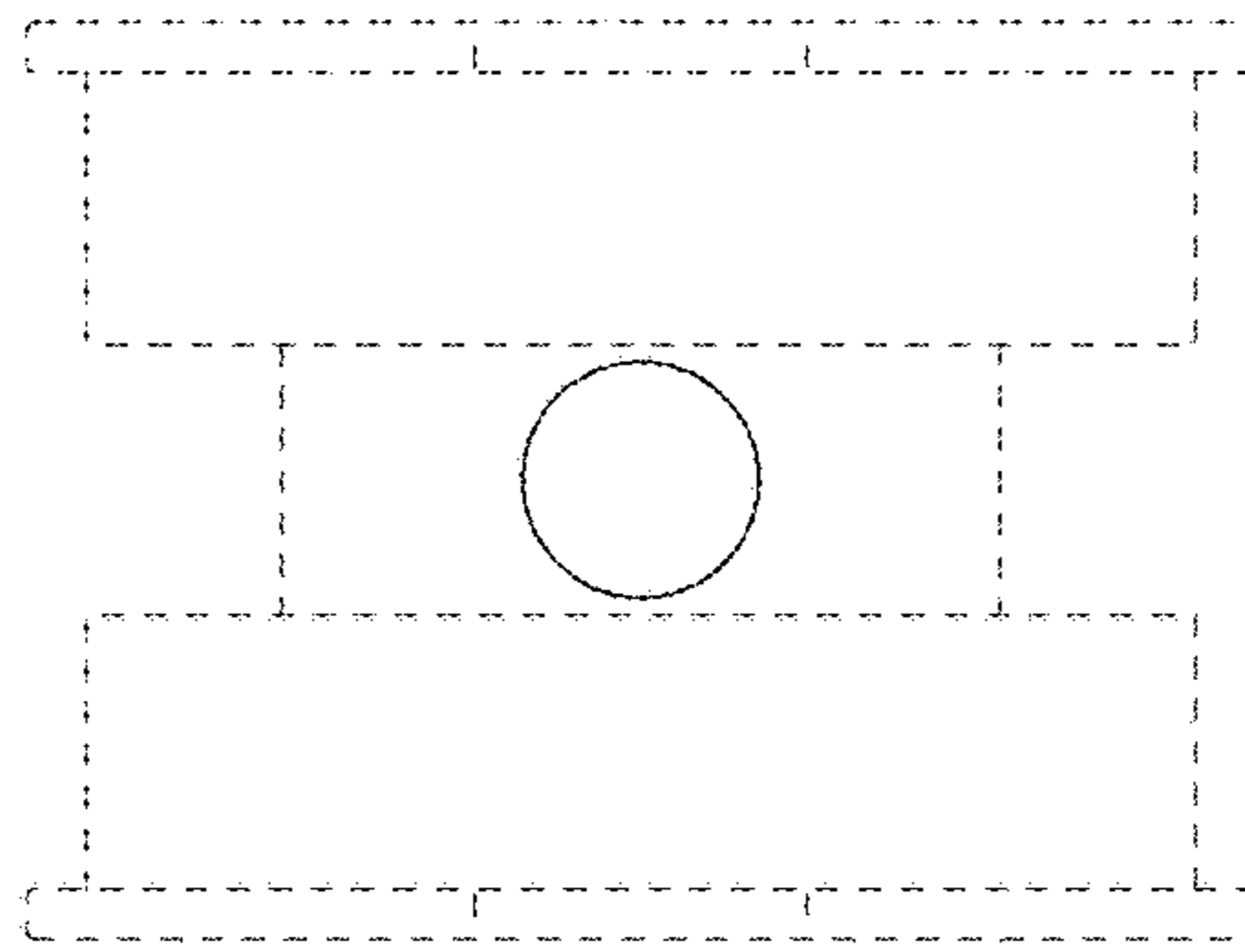


FIG. 32

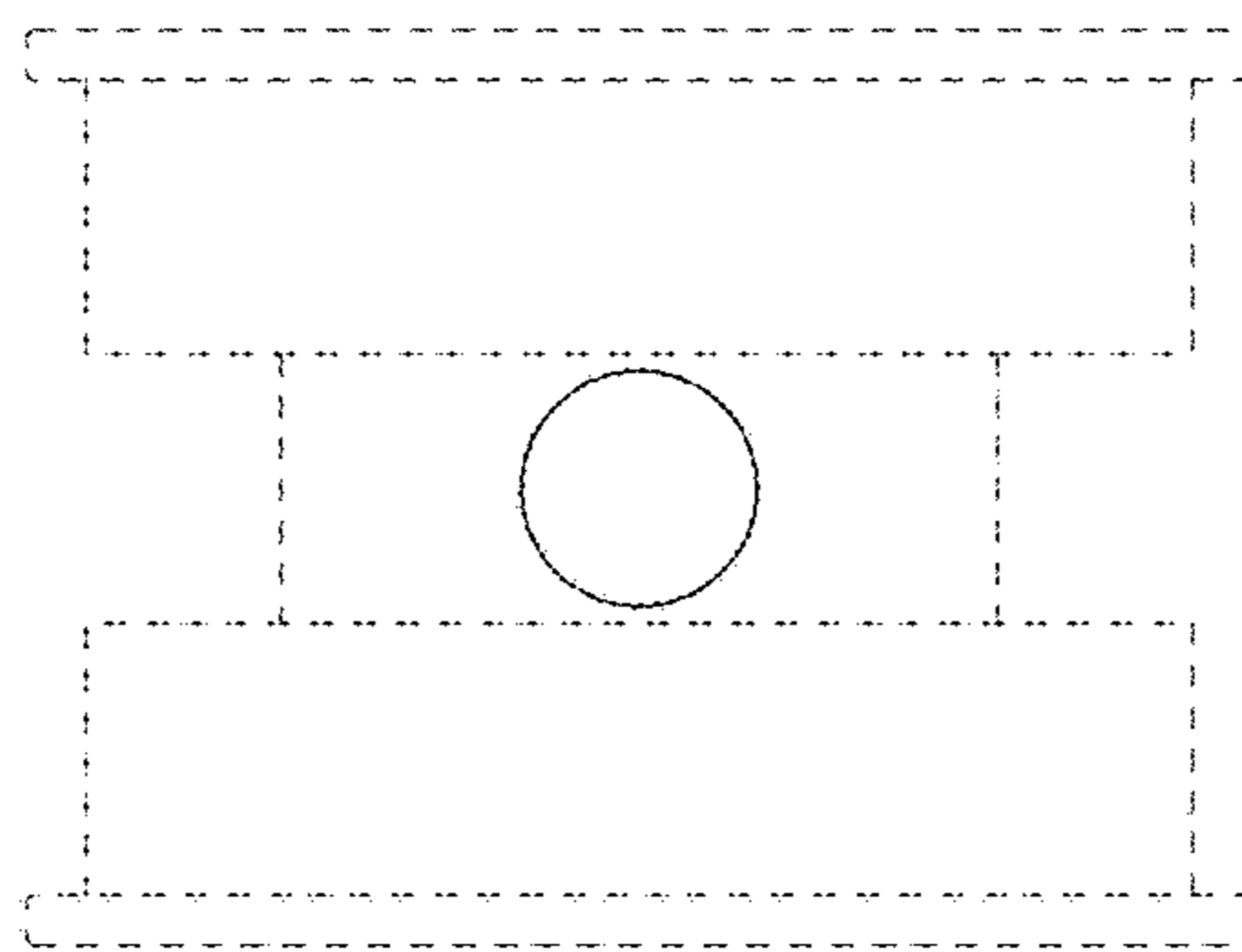


FIG. 33

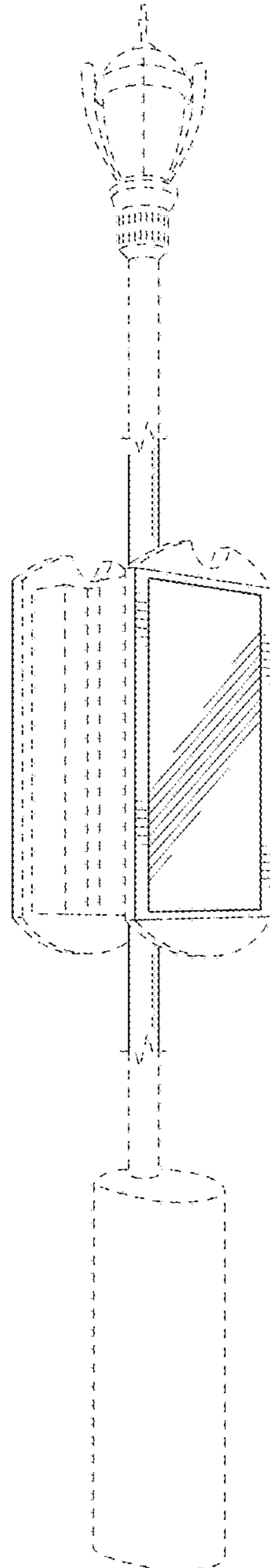


FIG. 34