



US00D847105S

(12) **United States Design Patent**
Okajima et al.

(10) **Patent No.:** **US D847,105 S**
(45) **Date of Patent:** **** Apr. 30, 2019**

(54) **BOAT OF SUBSTRATE PROCESSING APPARATUS**

(71) Applicant: **Hitachi Kokusai Electric Inc.**, Tokyo (JP)

(72) Inventors: **Yusaku Okajima**, Toyama (JP);
Hidenari Yoshida, Toyama (JP)

(73) Assignee: **KOKUSAI ELECTRIC CORPORATION**, Tokyo (JP)

(**) Term: **15 Years**

(21) Appl. No.: **29/646,355**

(22) Filed: **May 3, 2018**

(51) **LOC (11) Cl.** **13-03**

(52) **U.S. Cl.**
USPC **D13/182**

(58) **Field of Classification Search**
USPC D13/182; D15/144, 144.1, 199;
118/715, 500, 728, 729; 211/41.18;
432/253, 258; 156/345.51, 345.52,
156/345.53, 345.55; 414/217, 220.01,
414/935-941
CPC C23C 16/458; C23C 16/4581; C23C
16/4582; C23C 16/4583; C23C 16/4584;
C23C 16/4587; C23C 16/4588; C30B
3/14; H01L 21/673; H01L 21/67303;
H01L 21/67306; H01L 21/67309; H01L
21/67313; H01L 21/67316; H01L
21/67323; H01L 21/67326; H01L 21/6733
See application file for complete search history.

(56) **References Cited**

U.S. PATENT DOCUMENTS

D229,028 S * 11/1973 Mestre D8/402
D366,868 S * 2/1996 Ohsawa D13/182
D378,675 S * 4/1997 Iwai D13/182

D378,823 S * 4/1997 Watanabe D13/182
D380,454 S * 7/1997 Iwai D13/182
5,752,609 A * 5/1998 Kato H01L 21/67309
118/500
D404,015 S * 1/1999 Honma D13/182
D404,371 S * 1/1999 Shimazu D13/182
D409,158 S * 5/1999 Shimazu 206/832

(Continued)

FOREIGN PATENT DOCUMENTS

JP 1480191 S 9/2013
JP 1480192 S 9/2013

Primary Examiner — Elizabeth J Oswecki

(74) *Attorney, Agent, or Firm* — Fitch, Even, Tabin & Flannery, LLP

(57) **CLAIM**

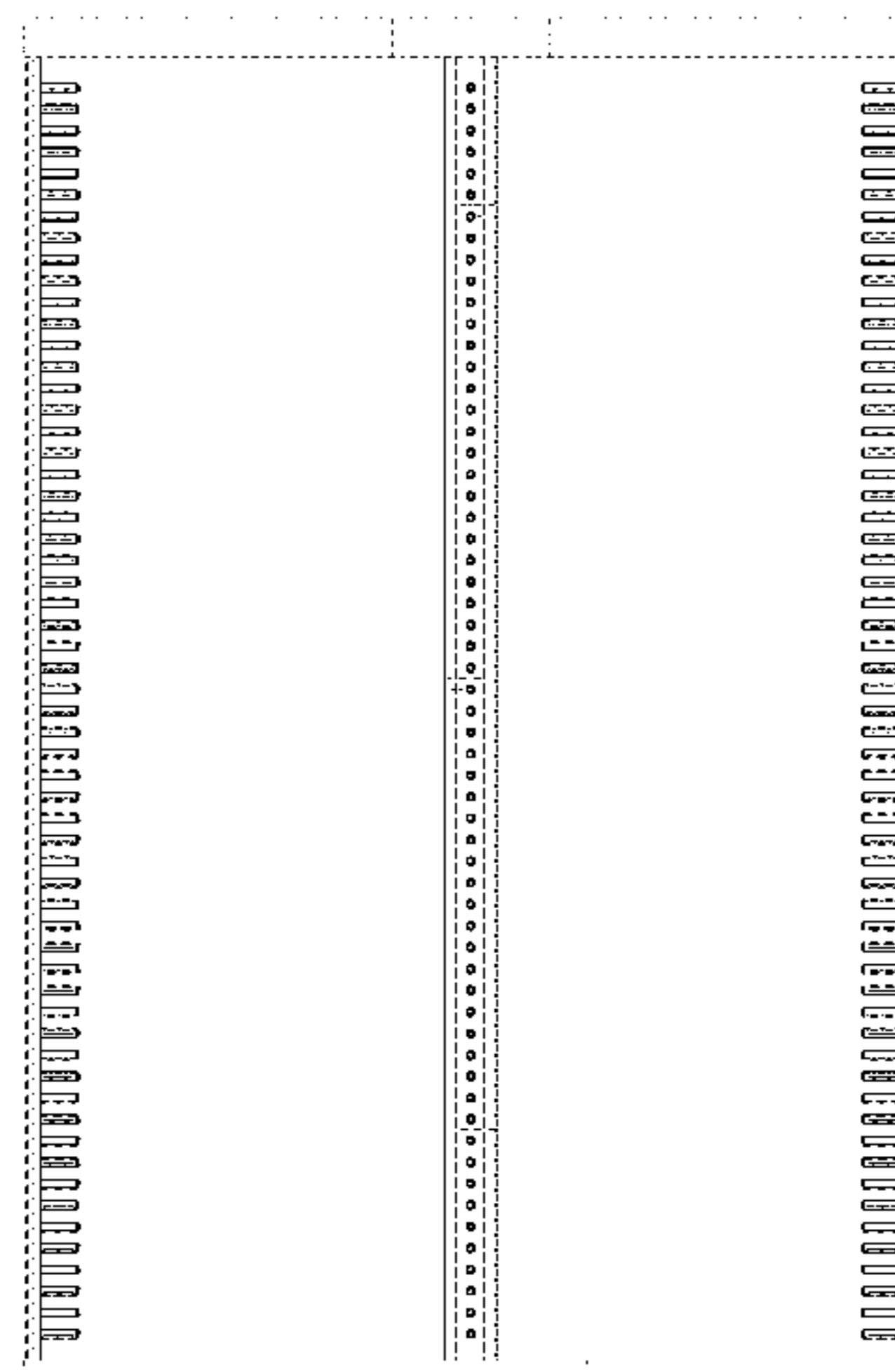
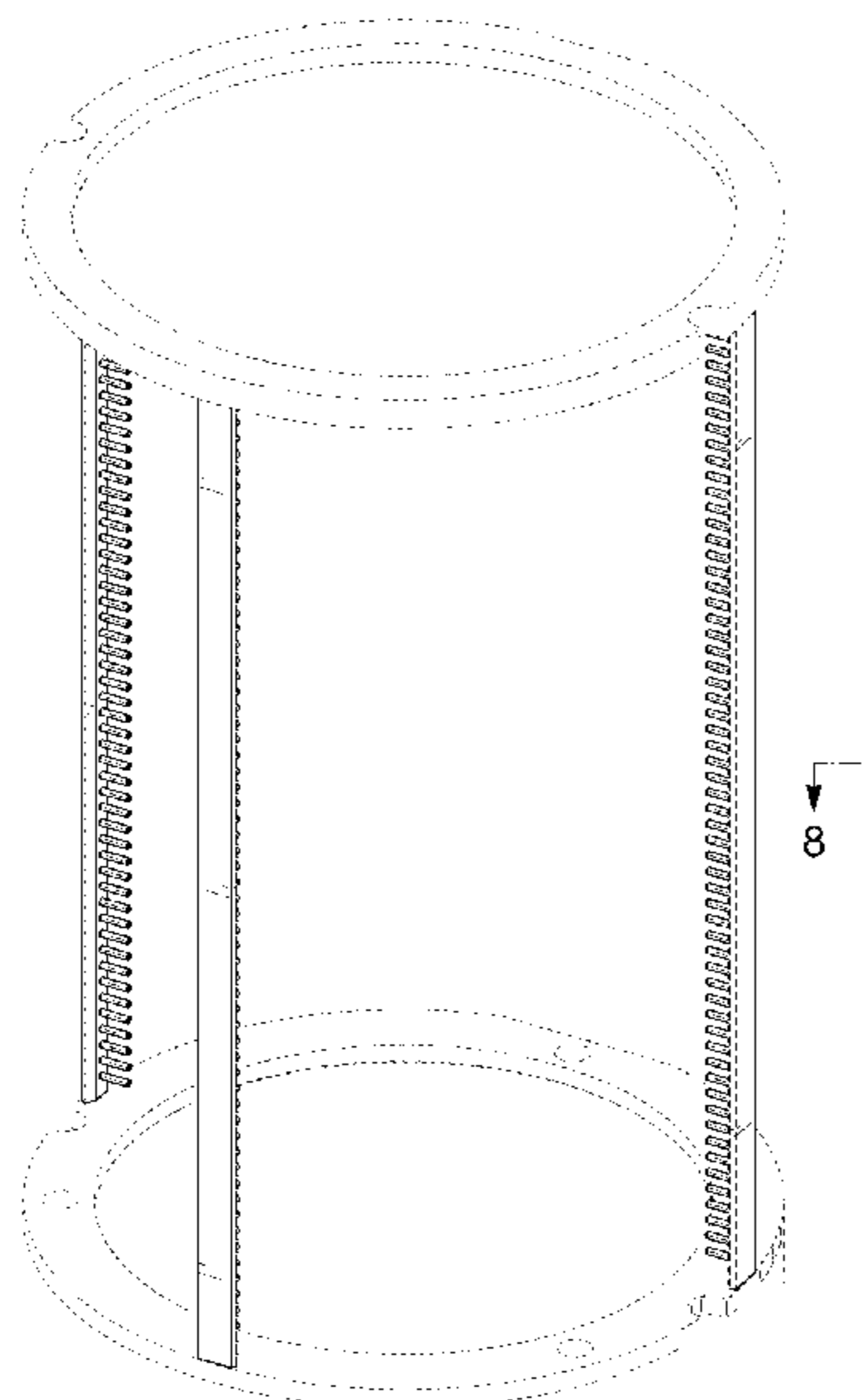
The ornamental design for a boat of substrate processing apparatus, as shown and described.

DESCRIPTION

FIG. 1 is a rear, top, and left side perspective view of a boat of substrate processing apparatus, showing our new design; FIG. 2 is a front elevational view thereof; FIG. 3 is a rear elevational view thereof; FIG. 4 is a right side elevational view thereof; FIG. 5 is a left side elevational view thereof; FIG. 6 is a top plan view thereof; and FIG. 7 is a bottom plan view thereof. FIG. 8 is a cross-sectional view take along line 8-8 in FIG. 2; and, FIG. 9 is an enlarged cross-sectional view take along line 9-9 in FIG. 8.

The broken lines shown in the drawings represent portions of the boat of substrate processing apparatus that form no part of the claimed design. The dash-dot-dash lines in FIGS. 8 and 9 illustrate the boundary of the enlarged portion view of FIG. 9 and do not form part of the claimed design.

1 Claim, 7 Drawing Sheets



(56)

References Cited

U.S. PATENT DOCUMENTS

D411,176 S * 6/1999 Shimazu D13/182
 6,062,853 A * 5/2000 Shimazu H01L 21/67309
 211/41.18
 6,065,615 A * 5/2000 Uchiyama H01L 21/67303
 118/500
 6,099,054 A * 8/2000 Glass E05B 15/0225
 292/241
 6,099,302 A * 8/2000 Hong C30B 31/14
 211/41.18
 6,287,112 B1 * 9/2001 Van Voorst Vader
 C30B 31/14
 118/728
 6,341,935 B1 * 1/2002 Tseng H01L 21/67303
 118/500
 6,966,771 B2 * 11/2005 Irie C23C 16/4583
 432/253
 7,033,168 B1 * 4/2006 Gupta C23C 16/4583
 211/41.18
 D570,308 S * 6/2008 Sato D13/182
 D570,309 S * 6/2008 Sato D13/182
 D580,894 S * 11/2008 Sato D13/182
 7,484,958 B2 * 2/2009 Kobayashi H01L 21/67309
 211/41.18
 D600,221 S * 9/2009 Sato D13/182

D600,222 S * 9/2009 Sato D13/182
 D616,396 S * 5/2010 Sato D13/182
 7,857,140 B2 * 12/2010 Shinjo H01L 21/6732
 206/445
 D655,255 S * 3/2012 Takebayashi D13/182
 D655,682 S * 3/2012 Takebayashi D13/182
 D734,730 S * 7/2015 Yoshida D13/182
 D737,785 S * 9/2015 Yoshida D13/182
 D738,329 S * 9/2015 Yoshida D13/182
 D739,831 S 9/2015 Takagi et al.
 D740,769 S 10/2015 Takagi et al.
 D747,279 S * 1/2016 Yoshida D13/182
 2002/0092815 A1 * 7/2002 Kim C30B 31/14
 211/41.18
 2002/0113027 A1 * 8/2002 Minami H01L 21/67109
 211/41.18
 2002/0130061 A1 * 9/2002 Hengst C23C 16/325
 206/710
 2002/0187023 A1 * 12/2002 Araki C30B 31/14
 414/160
 2003/0024888 A1 * 2/2003 Payne H01L 21/67303
 211/41.18
 2005/0145584 A1 * 7/2005 Buckley H01L 21/67303
 211/41.18
 2009/0250005 A1 * 10/2009 Kaneko H01L 21/67109
 118/724

* cited by examiner

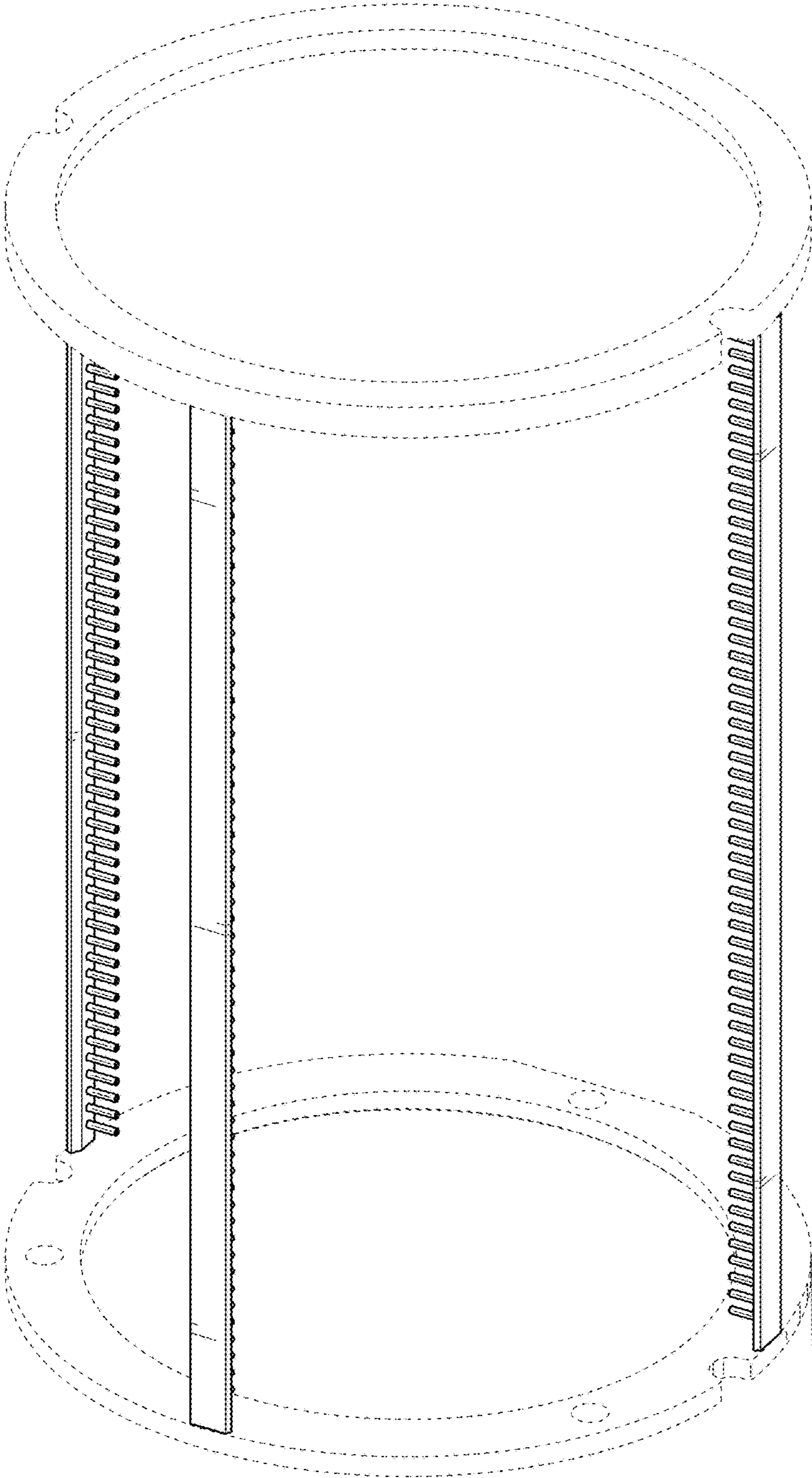


FIG. 1

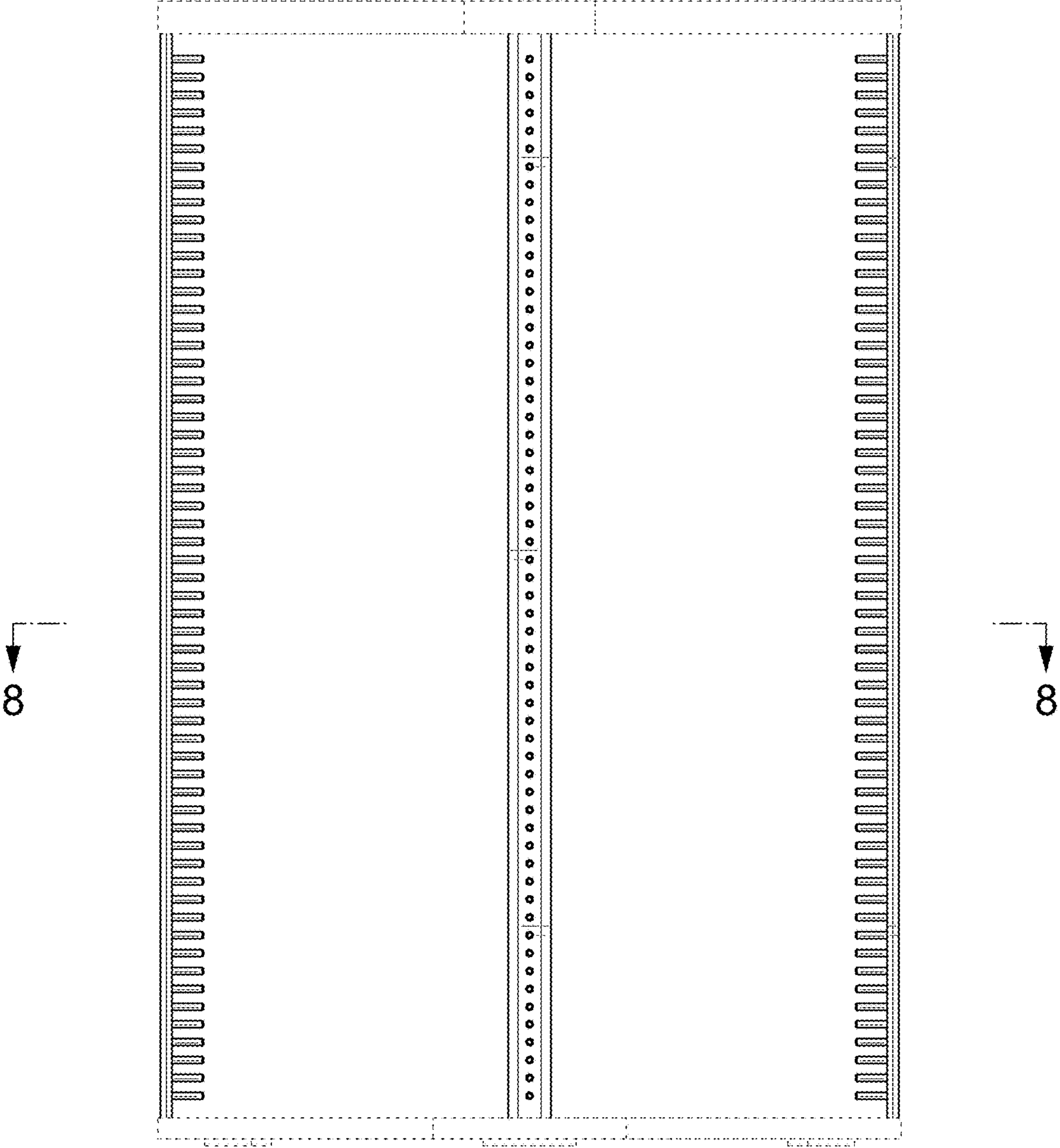


FIG. 2

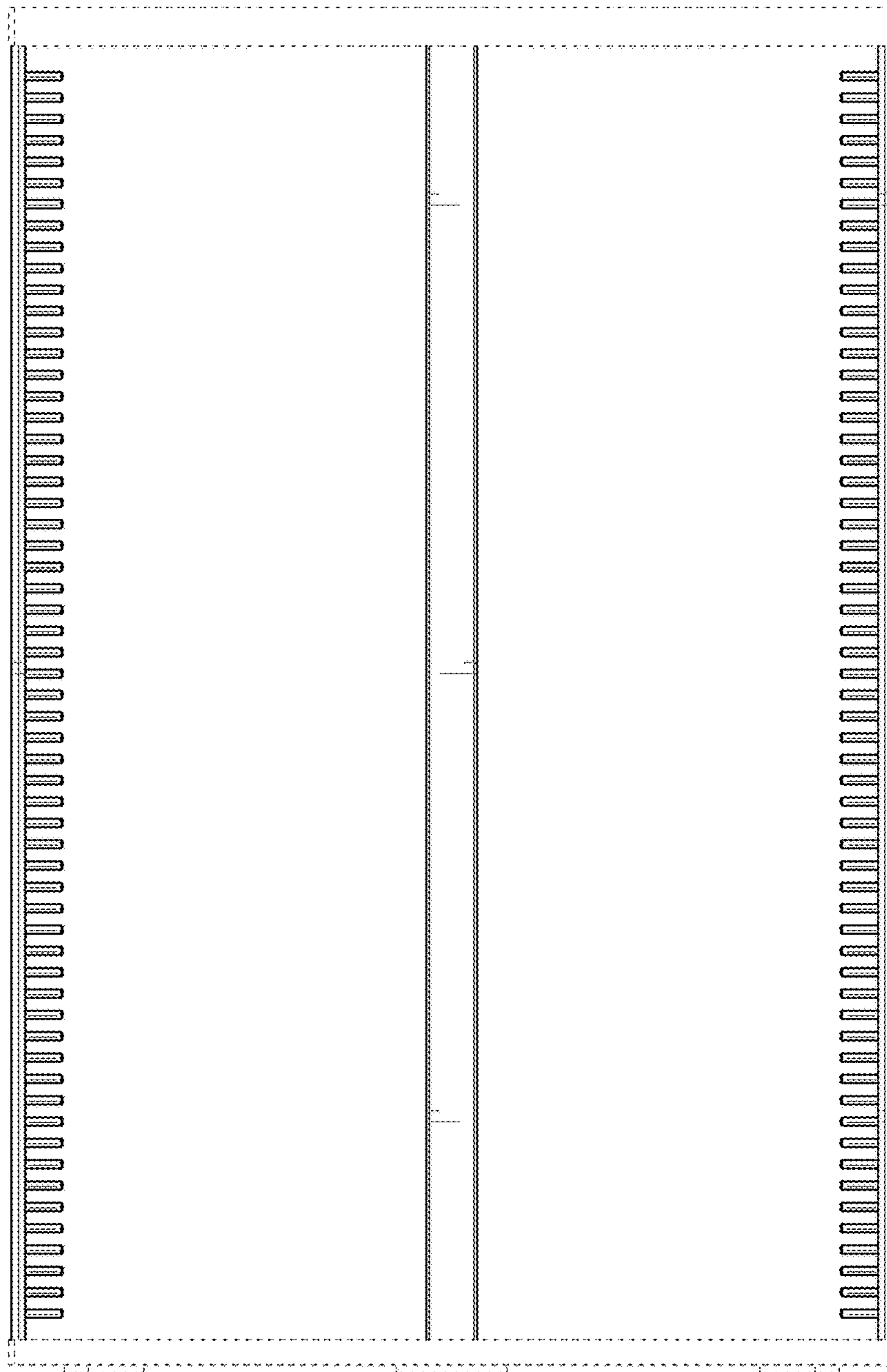


FIG. 3

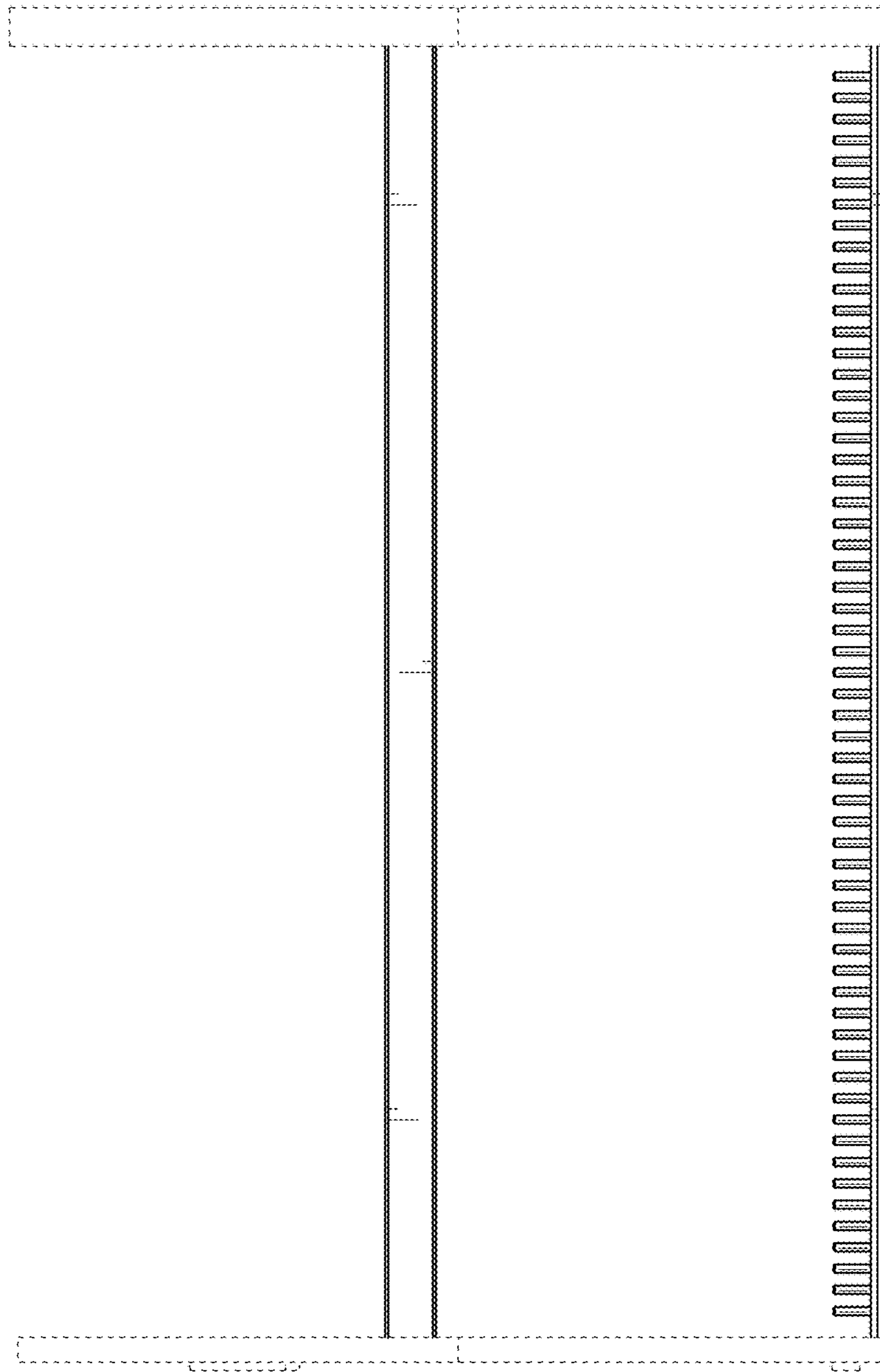


FIG. 4

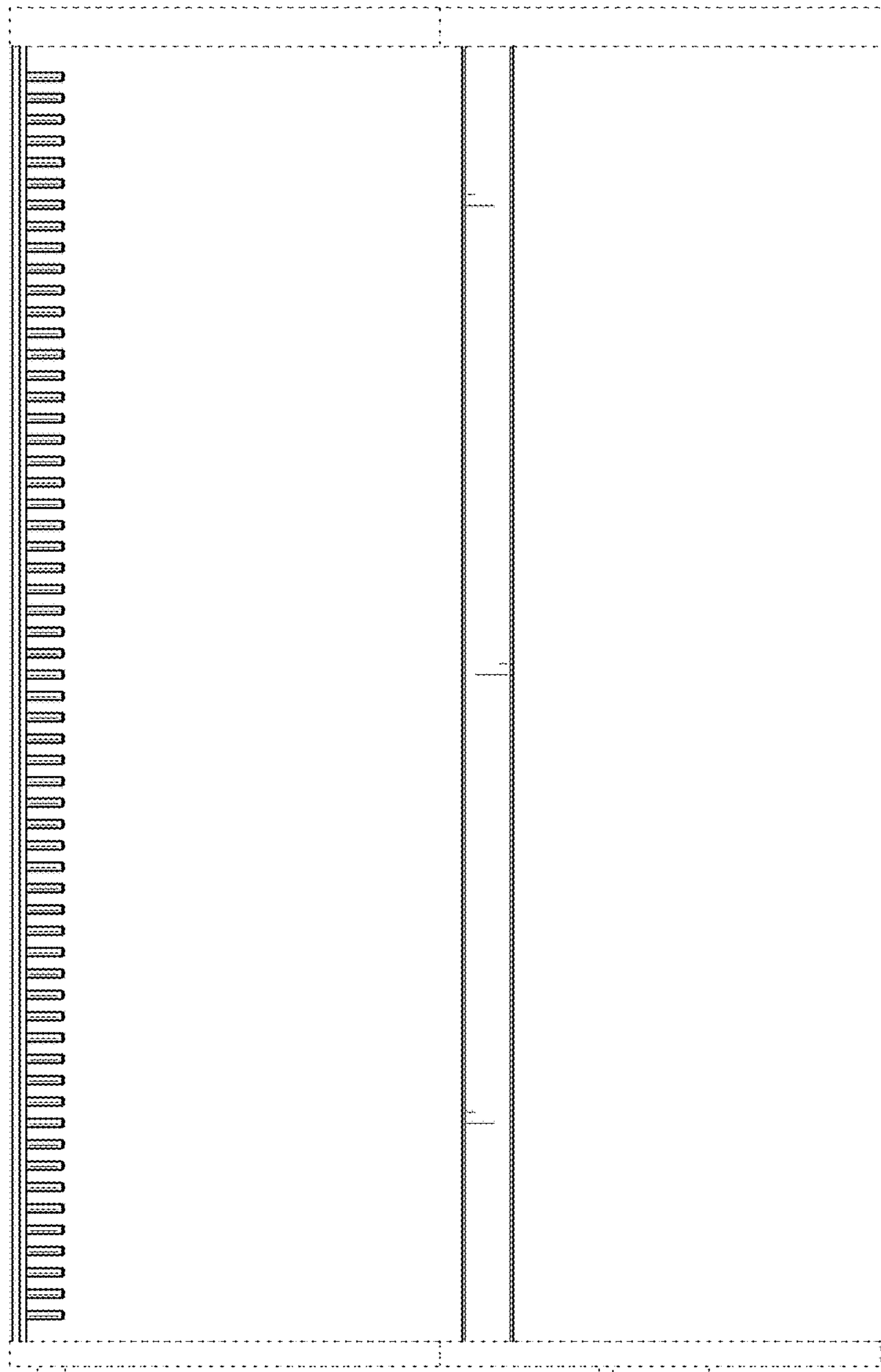


FIG. 5

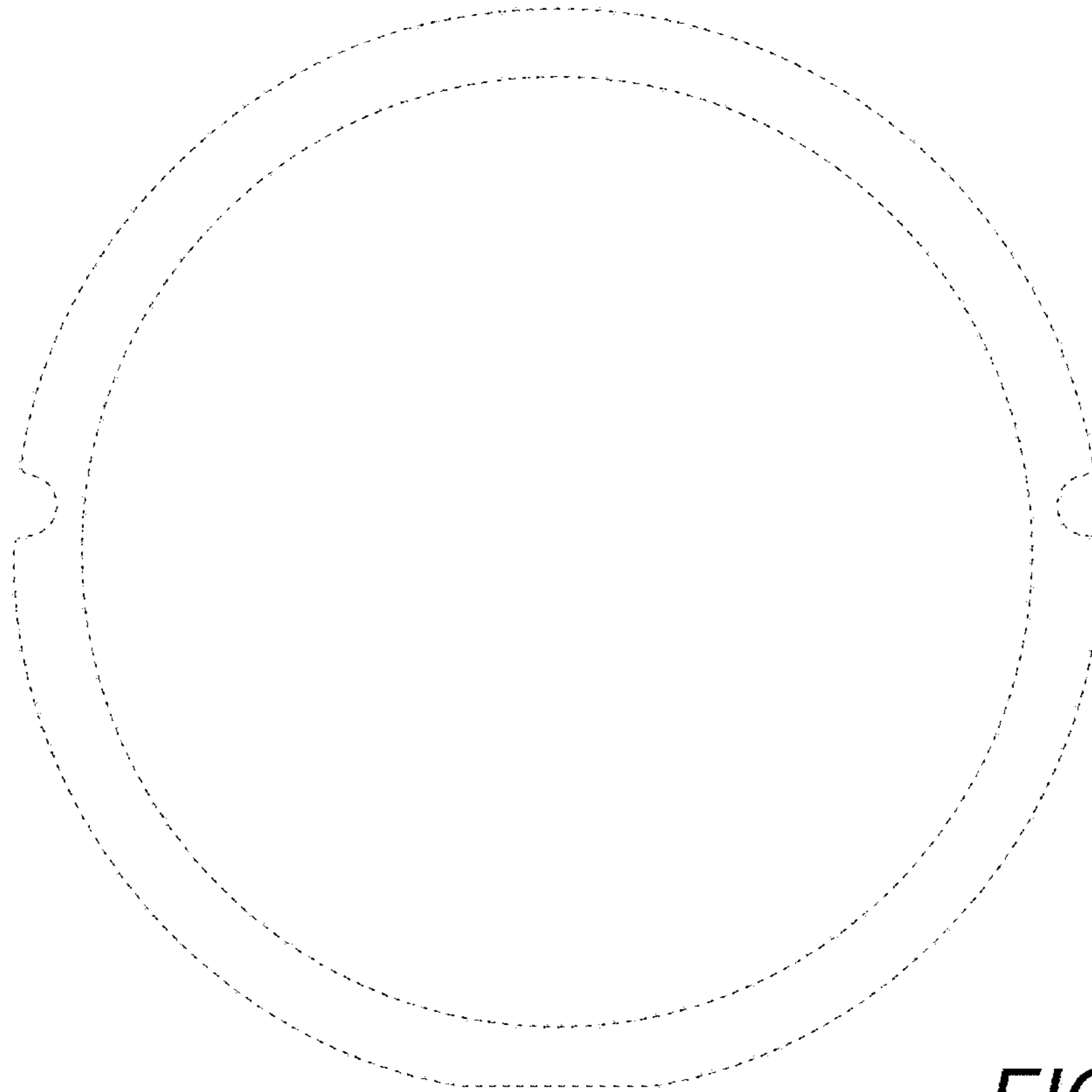


FIG. 6

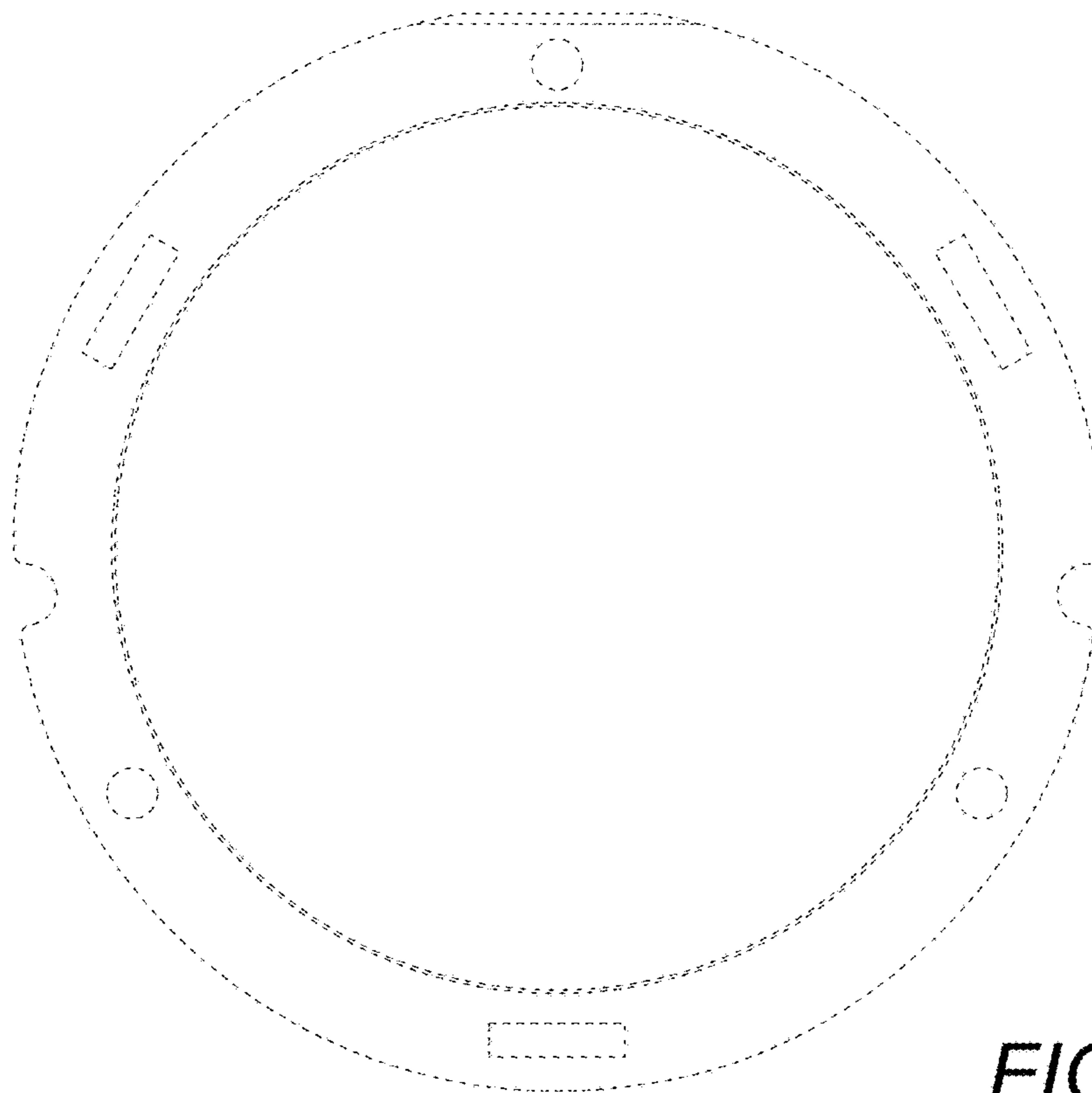


FIG. 7

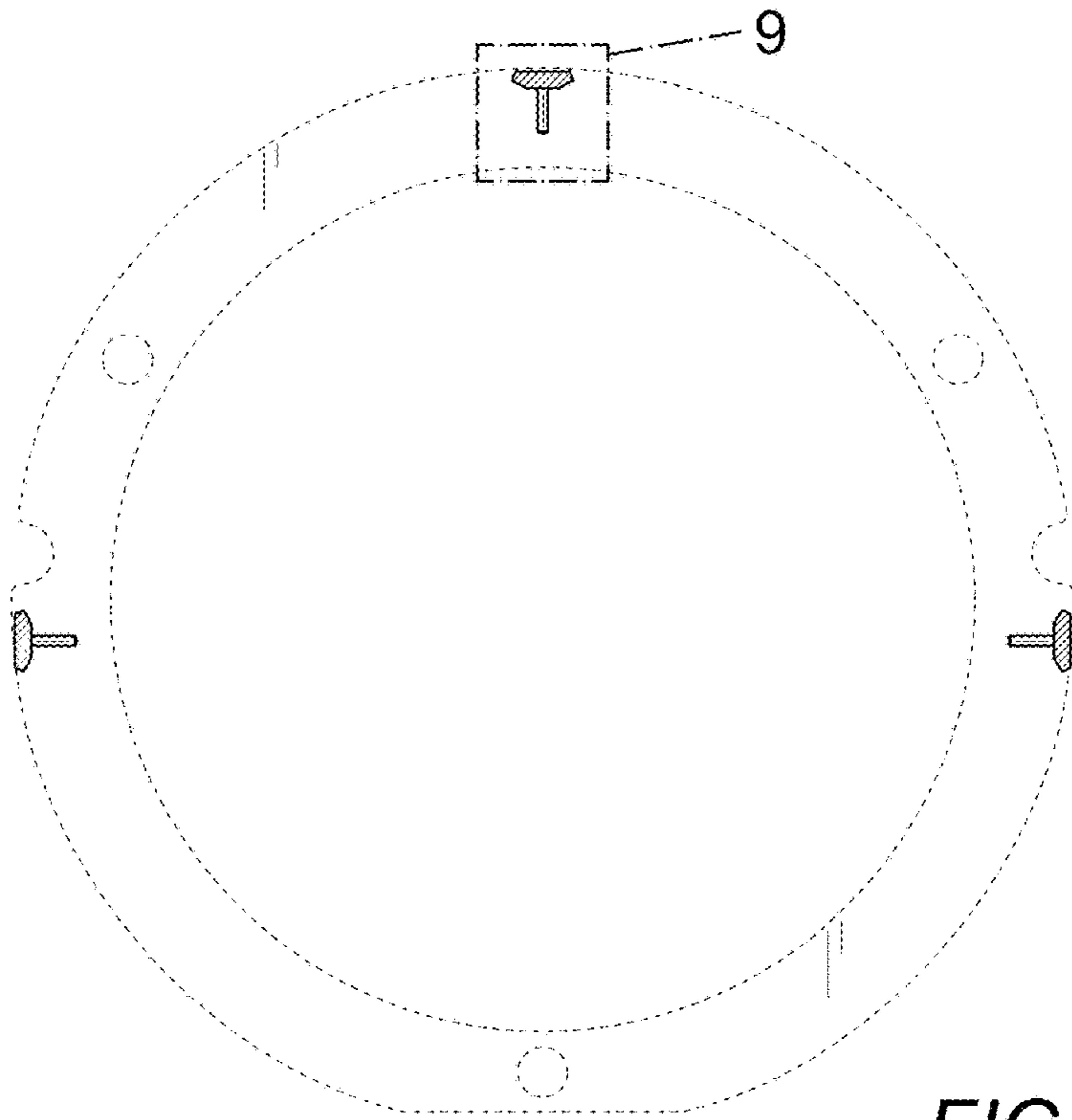


FIG. 8

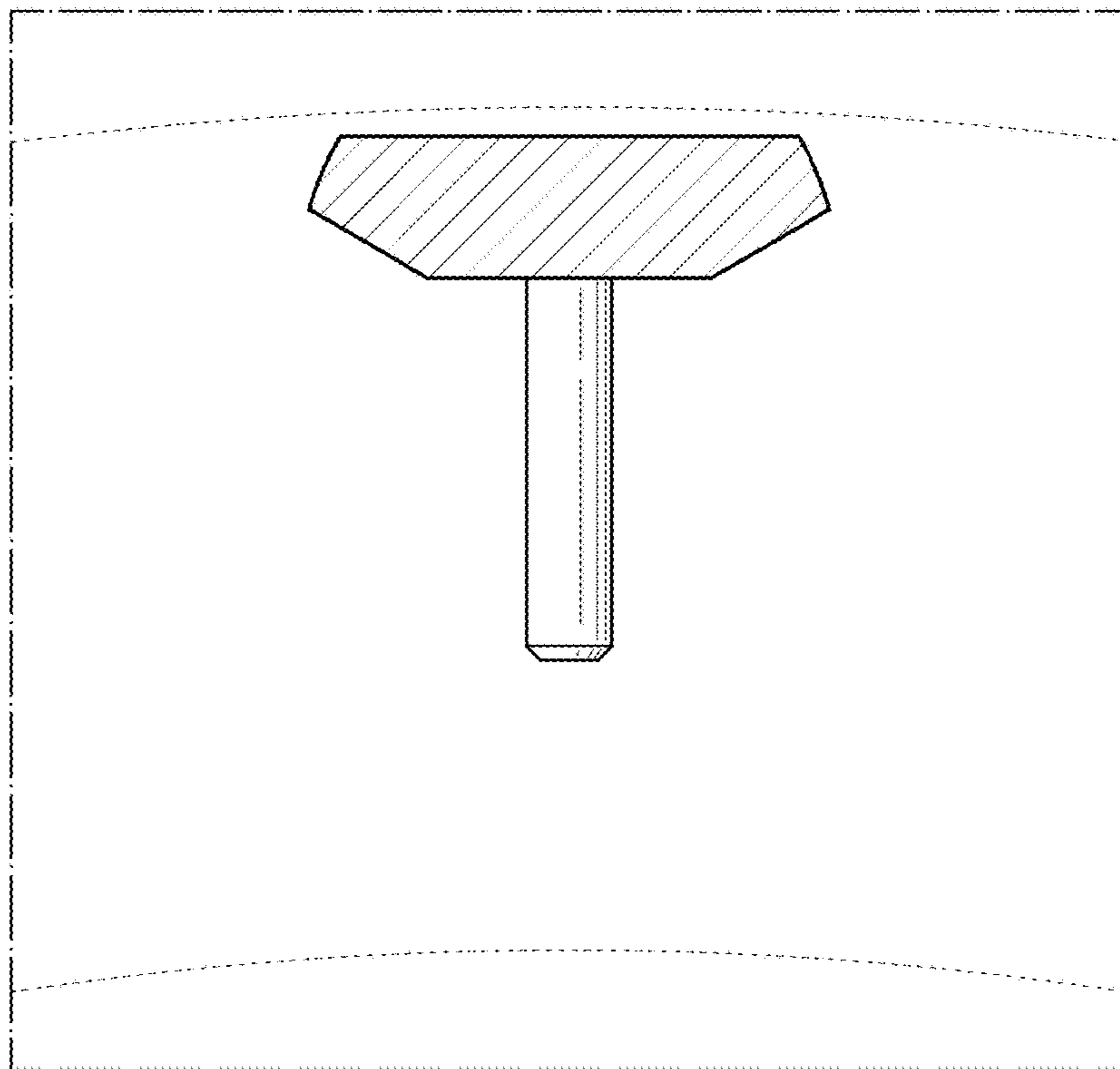


FIG. 9