



US00D847097S

(12) **United States Design Patent** (10) **Patent No.:** **US D847,097 S**
Afdasta et al. (45) **Date of Patent:** **** Apr. 30, 2019**

(54) **WIRE SPRING TERMINAL**

(71) Applicant: **AFC Cable Systems, Inc.**, New Bedford, MA (US)

(72) Inventors: **Skip N. Afdasta**, Coventry, RI (US);
Eugene J. Ellis, Taunton, MA (US)

(73) Assignee: **AC Cable Systems, Inc.**, New Bedford, MA (US)

(**) Term: **15 Years**

(21) Appl. No.: **29/628,722**

(22) Filed: **Dec. 7, 2017**

(51) **LOC (11) Cl.** **13-03**

(52) **U.S. Cl.**
USPC **D13/154**

(58) **Field of Classification Search**
USPC D13/133, 154, 147, 184, 199
CPC H01R 9/09; H01R 9/091; H01R 9/098;
H01R 9/22; H01R 9/24; H01R 9/2408;
H01R 9/2691; H01R 9/28; H01R 4/18;
H01R 13/02; H01R 13/15; H01R 13/20;
H01R 13/213; H01R 13/24; H01R
13/2428; H01R 13/2442; H01R 13/26;
H01R 13/33; H01R 13/42; H01R
13/4223; H01R 13/426; H01R 13/432;
H01R 13/506; H01R 13/58; H01R 13/64

See application file for complete search history.

(56) **References Cited**

U.S. PATENT DOCUMENTS

2,499,296 A * 2/1950 Buchanan H01R 13/111
439/81
D241,650 S * 9/1976 Pauza et al. D13/133
D289,688 S * 5/1987 Clawson D13/133
D359,025 S * 6/1995 Daio D13/133
D478,549 S * 8/2003 Porzelt D13/146

* cited by examiner

Primary Examiner — Daniel D Bui

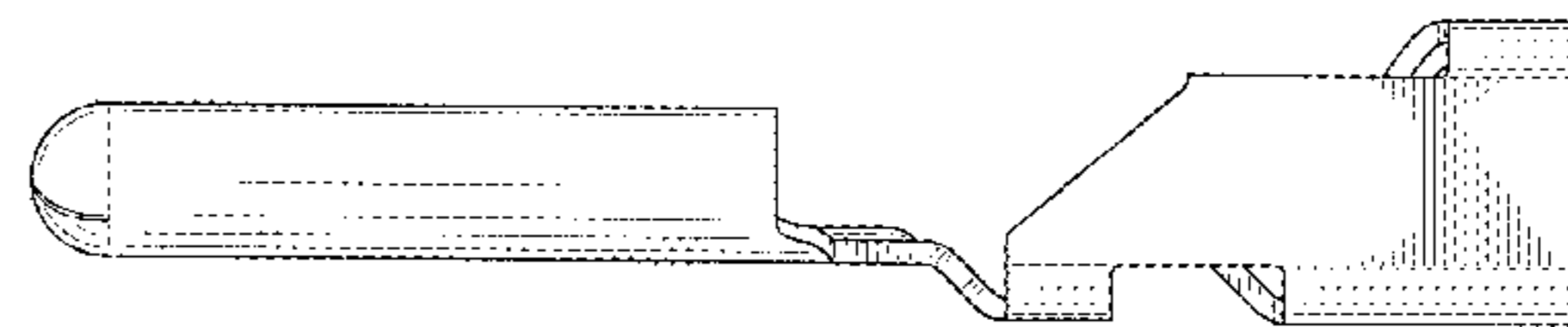
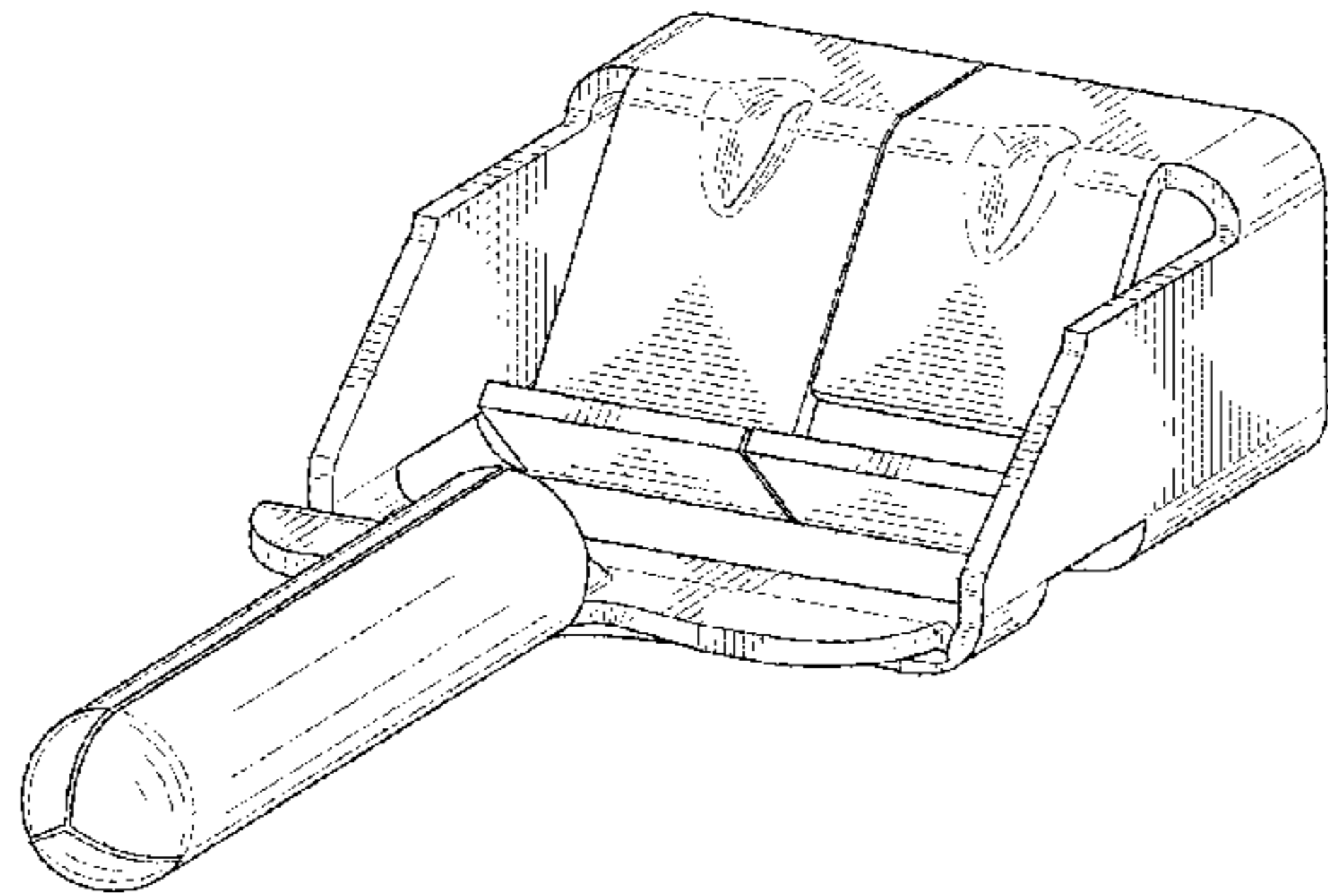
(57) **CLAIM**

The ornamental design for a wire spring terminal, as shown and described.

DESCRIPTION

FIG. 1 is a top perspective view of a wire spring terminal showing our new design;
FIG. 2 is a first side view thereof;
FIG. 3 is a second side view thereof;
FIG. 4 is a top view thereof;
FIG. 5 is a bottom view thereof;
FIG. 6 is a first end view thereof; and,
FIG. 7 is a second end view thereof.

1 Claim, 5 Drawing Sheets



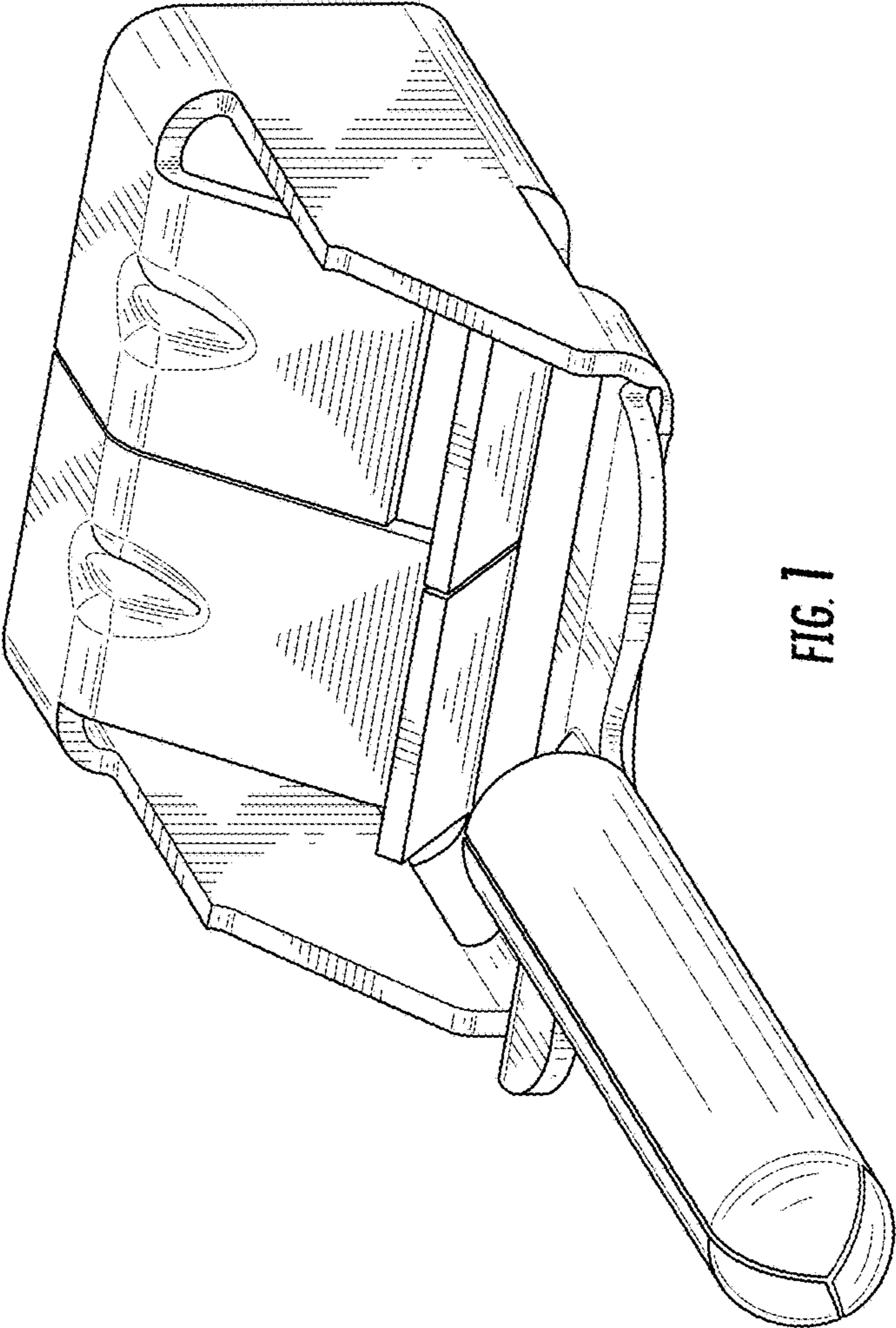


FIG. 1

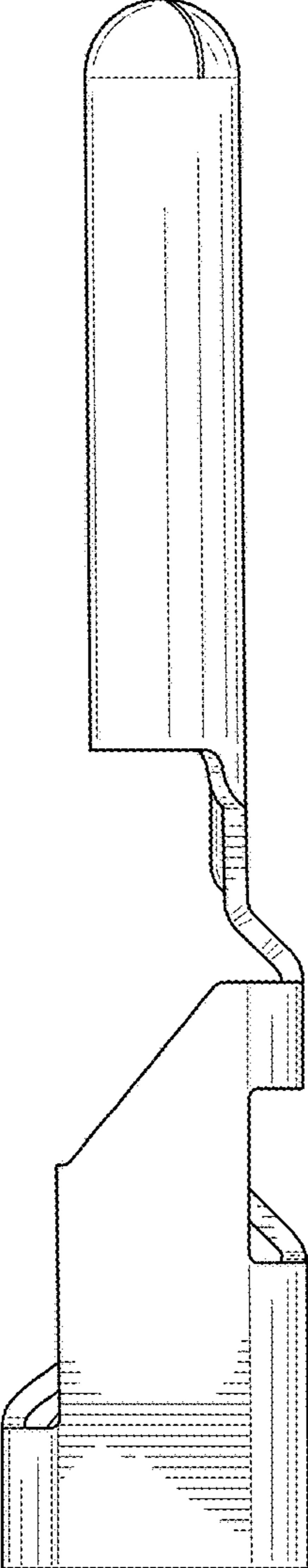


FIG. 2

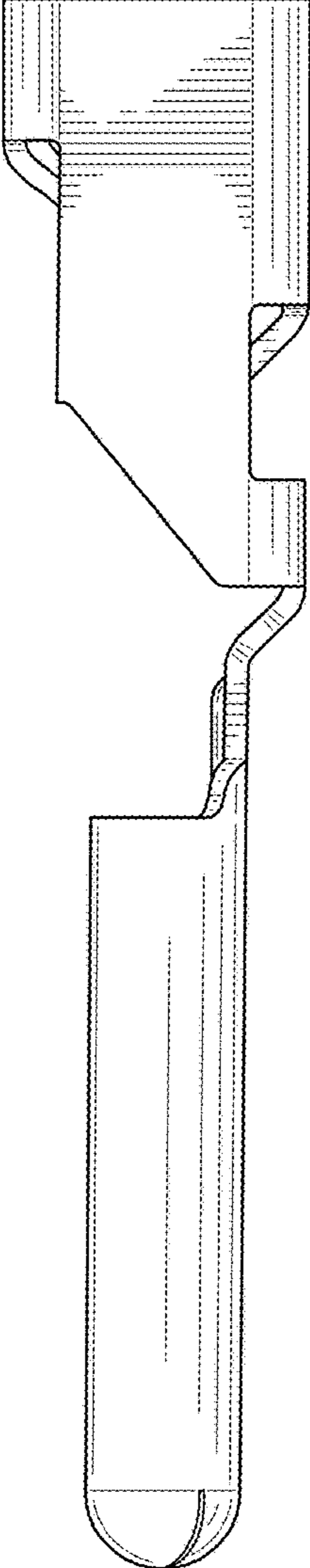


FIG. 3

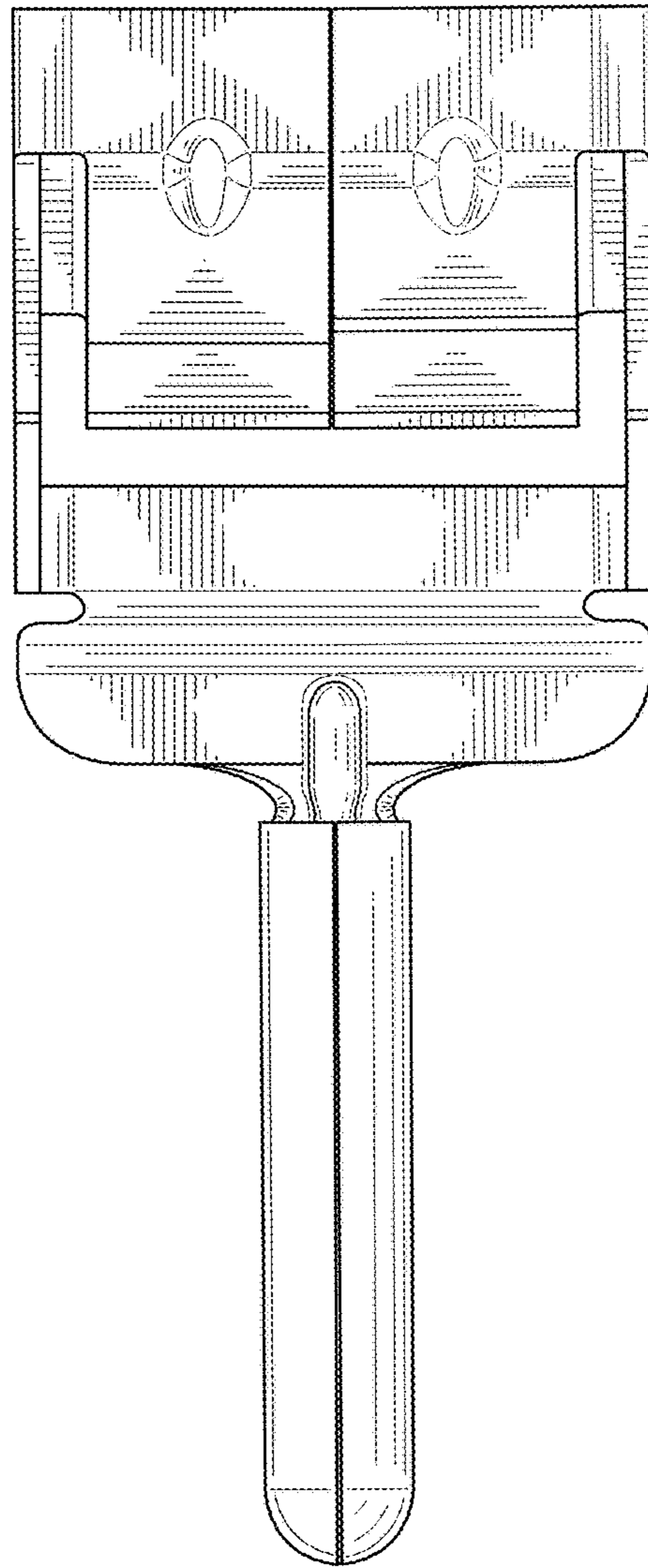


FIG. 4

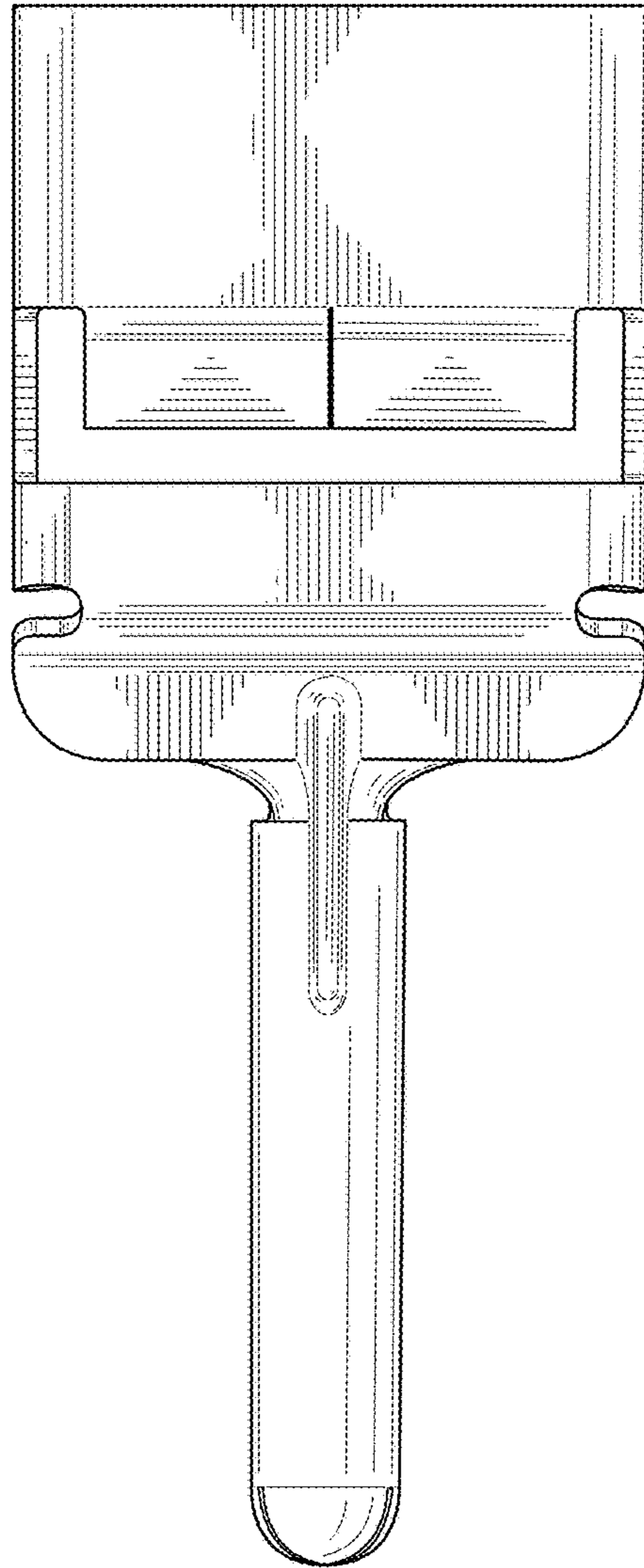


FIG. 5

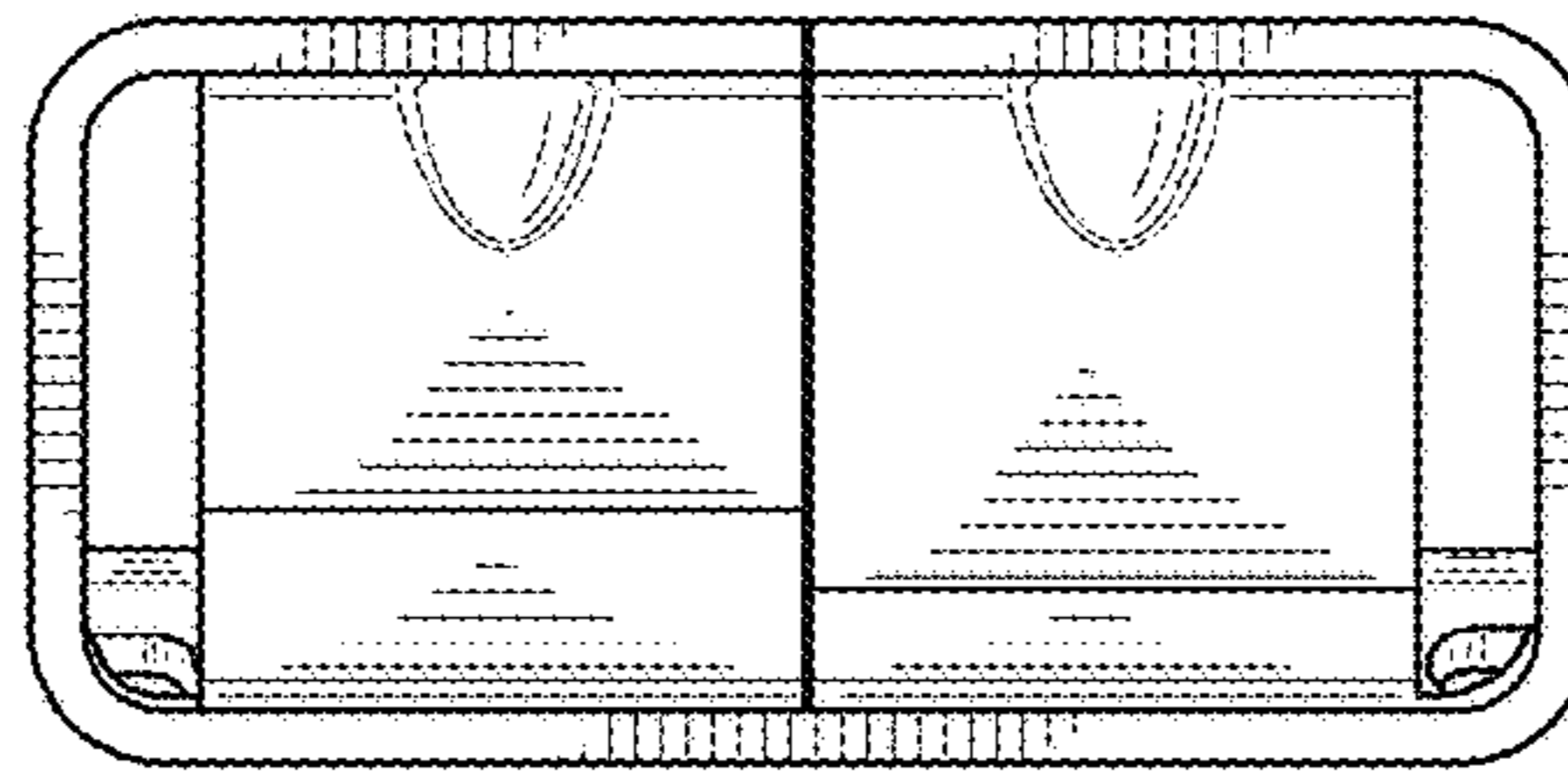


FIG. 6

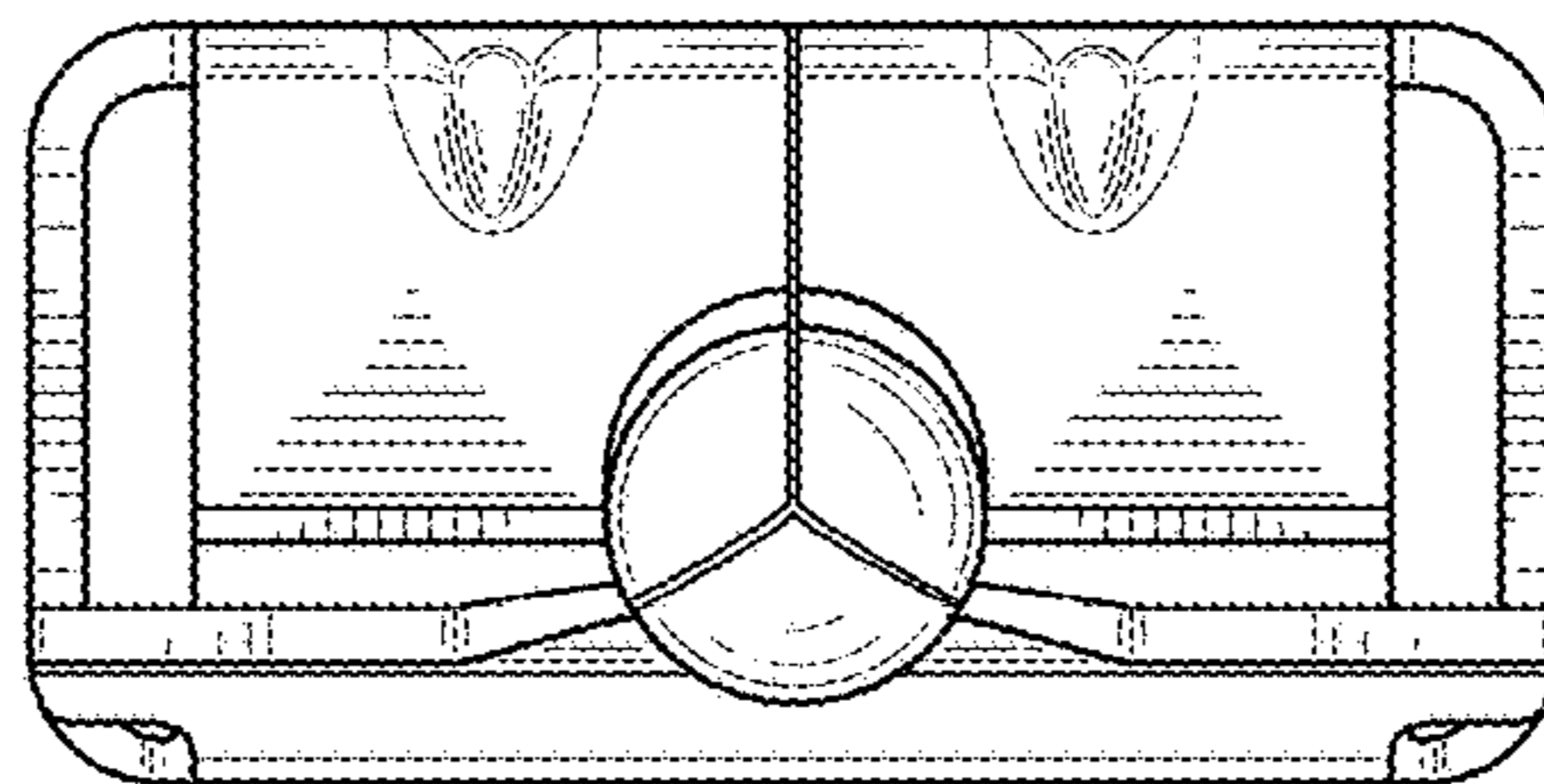


FIG. 7

UNITED STATES PATENT AND TRADEMARK OFFICE
CERTIFICATE OF CORRECTION

PATENT NO. : D847,097 S
APPLICATION NO. : 29/628722
DATED : April 30, 2019
INVENTOR(S) : Skip N. Afdasta et al.

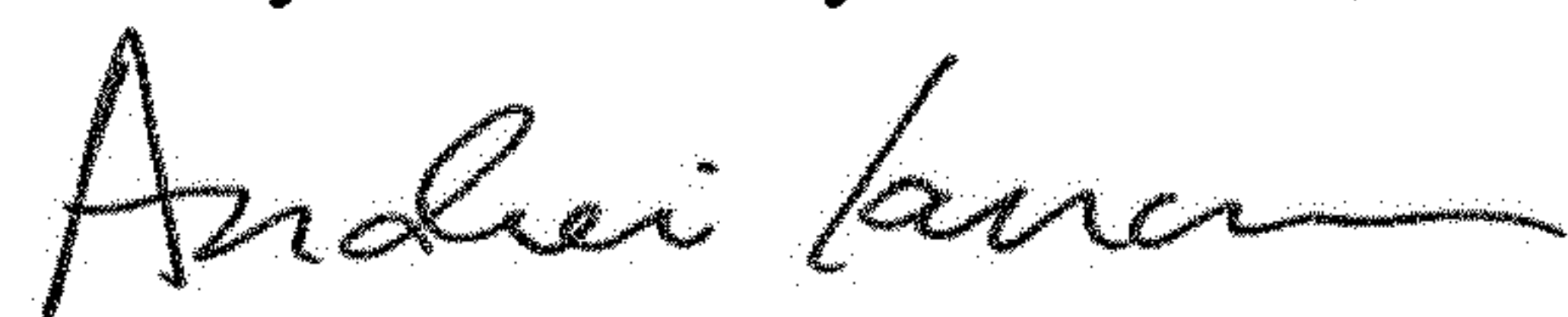
Page 1 of 1

It is certified that error appears in the above-identified patent and that said Letters Patent is hereby corrected as shown below:

On the Title Page

Column 1, Item (73): Assignee Please replace "AC Cable Systems, Inc." with "AFC Cable Systems, Inc."

Signed and Sealed this
Twenty-fourth Day of March, 2020



Andrei Iancu
Director of the United States Patent and Trademark Office