



US00D847095S

(12) **United States Design Patent**
Wan

(10) **Patent No.:** **US D847,095 S**

(45) **Date of Patent:** **** Apr. 30, 2019**

(54) **TERMINAL BLOCK**

(71) Applicant: **Premier Technologies Ltd.**, Kwai
Chung, N.T. (HK)

(72) Inventor: **Kwok Kei Wan**, Hong Kong (HK)

(73) Assignee: **Premier Technologies Ltd.**

(**) Term: **15 Years**

(21) Appl. No.: **29/630,896**

(22) Filed: **Dec. 22, 2017**

(51) **LOC (11) Cl.** **13-03**

(52) **U.S. Cl.**
USPC **D13/147**

(58) **Field of Classification Search**
USPC D13/133, 154, 147, 184, 199
CPC H01R 9/09; H01R 9/091; H01R 9/098;
H01R 9/22; H01R 9/24; H01R 9/2408;
H01R 9/2691; H01R 9/28; H01R 4/18;
H01R 13/02; H01R 13/15; H01R 13/20;
H01R 13/213; H01R 13/24; H01R
13/2428; H01R 13/2442; H01R 13/26;
H01R 13/33; H01R 13/42; H01R
13/4223; H01R 13/426; H01R 13/432;
H01R 13/506; H01R 13/58; H01R 13/64

See application file for complete search history.

(56) **References Cited**

U.S. PATENT DOCUMENTS

D743,898 S *	11/2015	Murphy	D13/147
D760,655 S *	7/2016	Murphy	D13/147
9,551,399 B2 *	1/2017	Tseng	H02G 3/04
D795,814 S *	8/2017	Smith	D13/147
D803,163 S *	11/2017	Bendlak	D13/147

* cited by examiner

Primary Examiner — Daniel D Bui

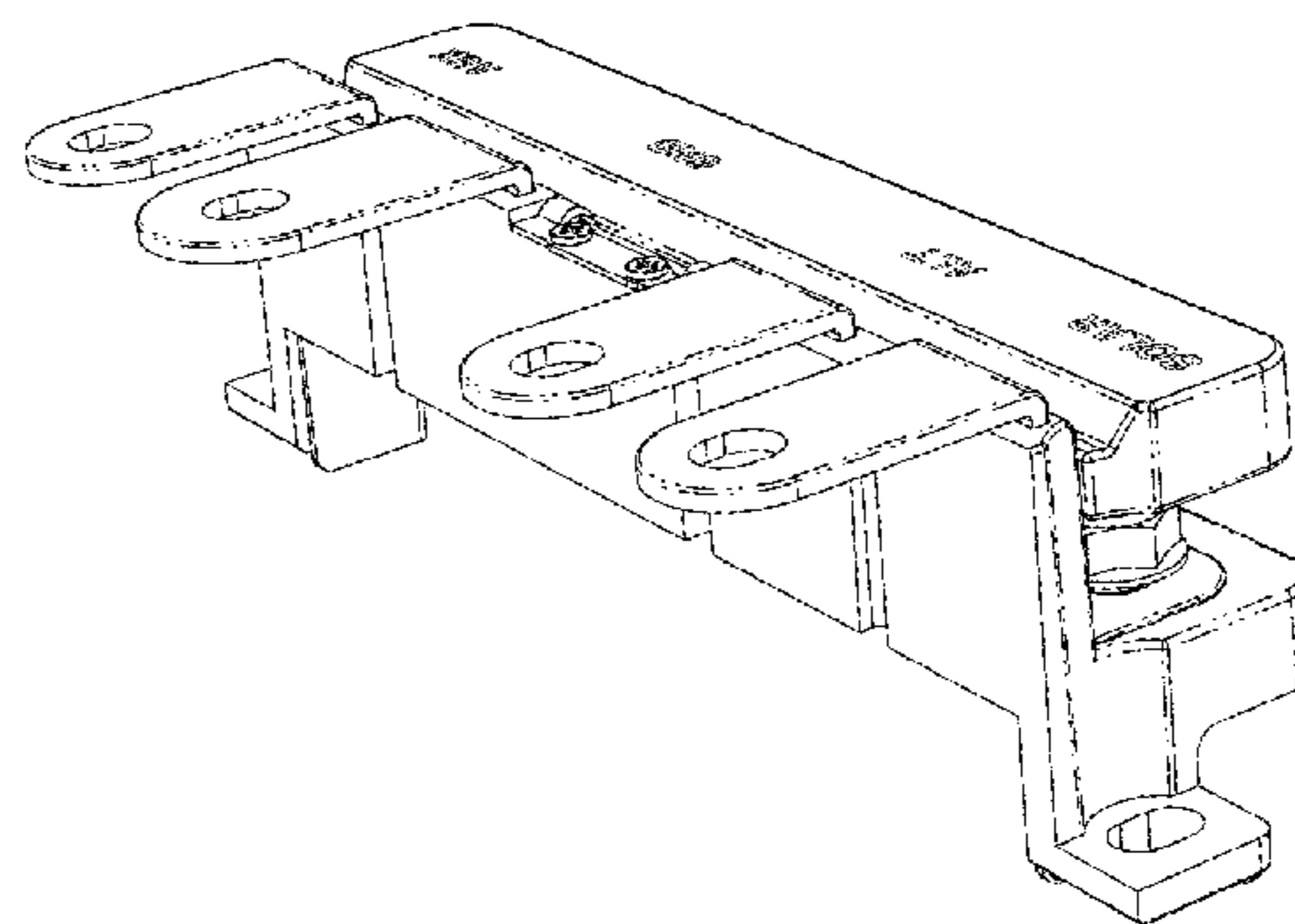
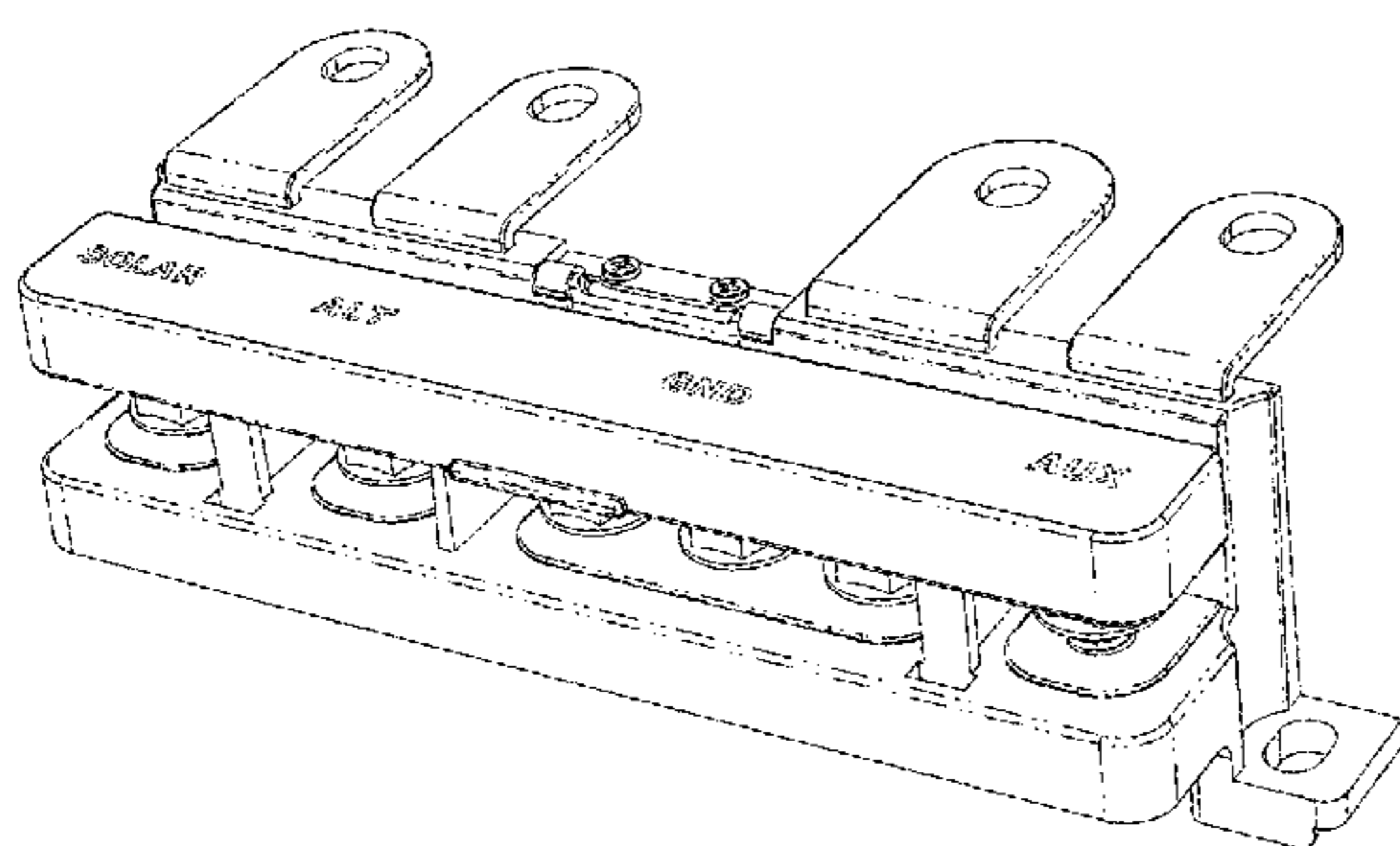
(57) **CLAIM**

The ornamental design for a terminal block, as shown and described.

DESCRIPTION

FIG. 1 is a top plan view of a terminal block showing my new design;
FIG. 2 is a front elevation view thereof;
FIG. 3 is a rear elevation view thereof;
FIG. 4 is a bottom plan view thereof;
FIG. 5 is a right side elevation view thereof;
FIG. 6 is a left side elevation view thereof;
FIG. 7 is a top, front and right side perspective view thereof;
and,
FIG. 8 is a top, rear and left side perspective view thereof.
The even-broken line in the drawing views represents unclaimed environment structure only and forms no part of the claimed design.

1 Claim, 8 Drawing Sheets



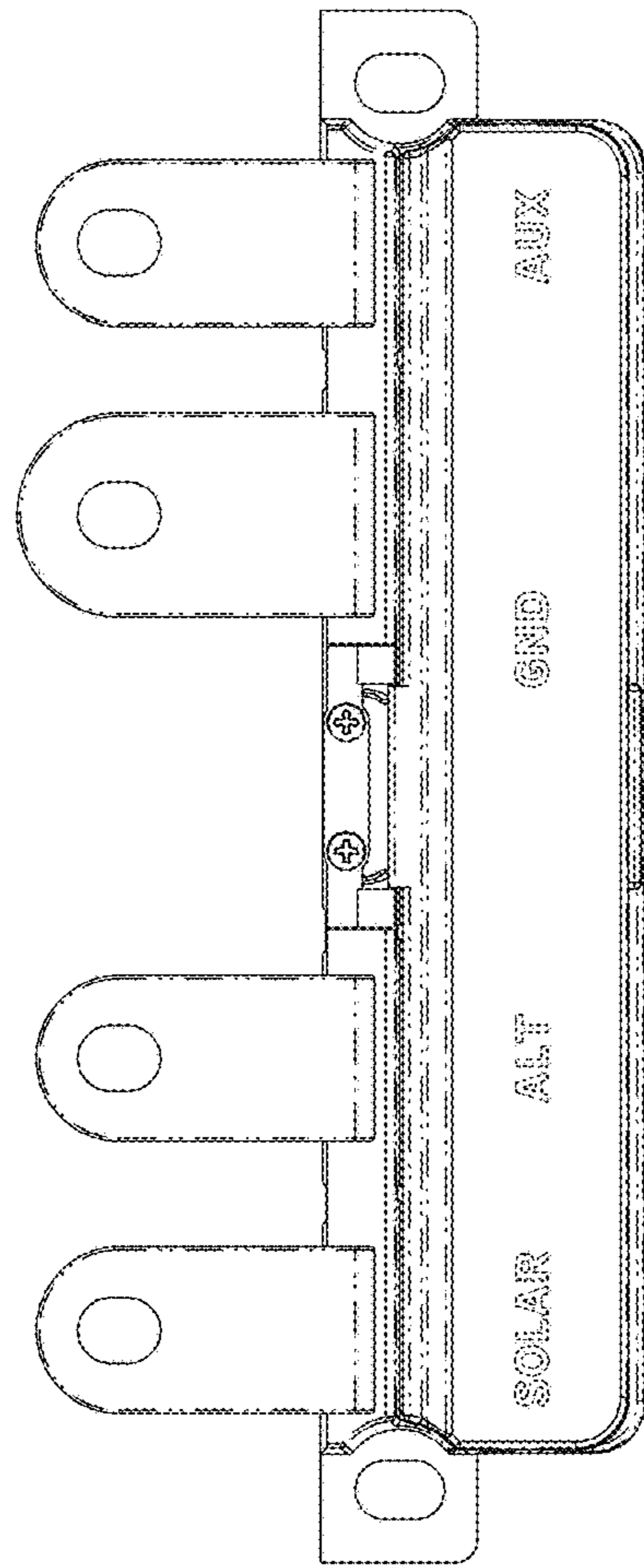


FIG. 1

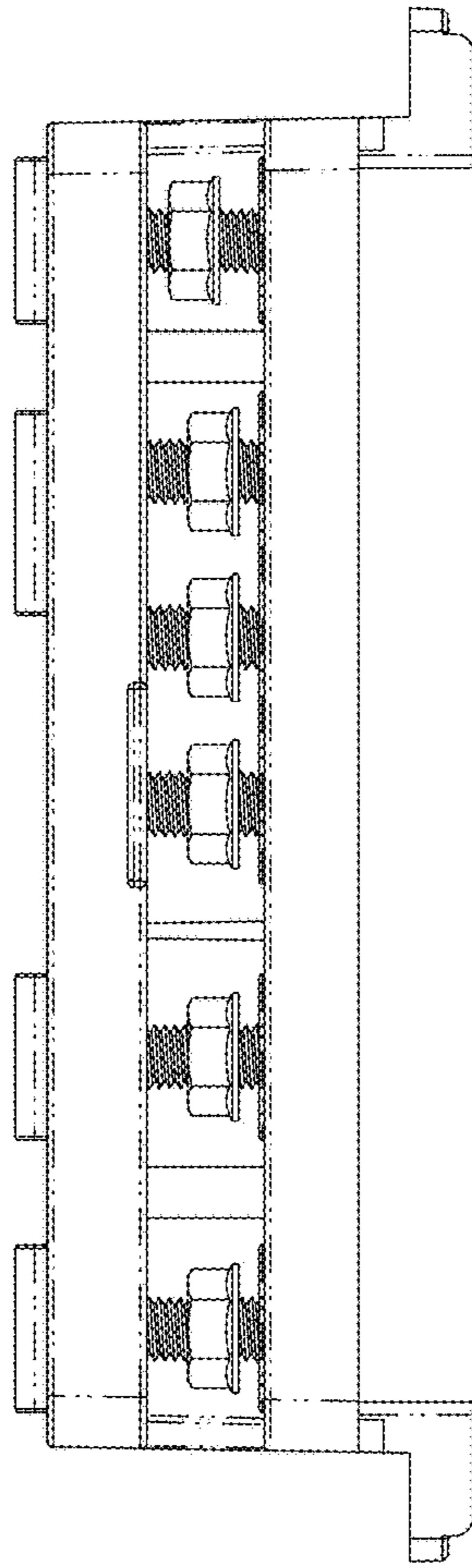


FIG. 2

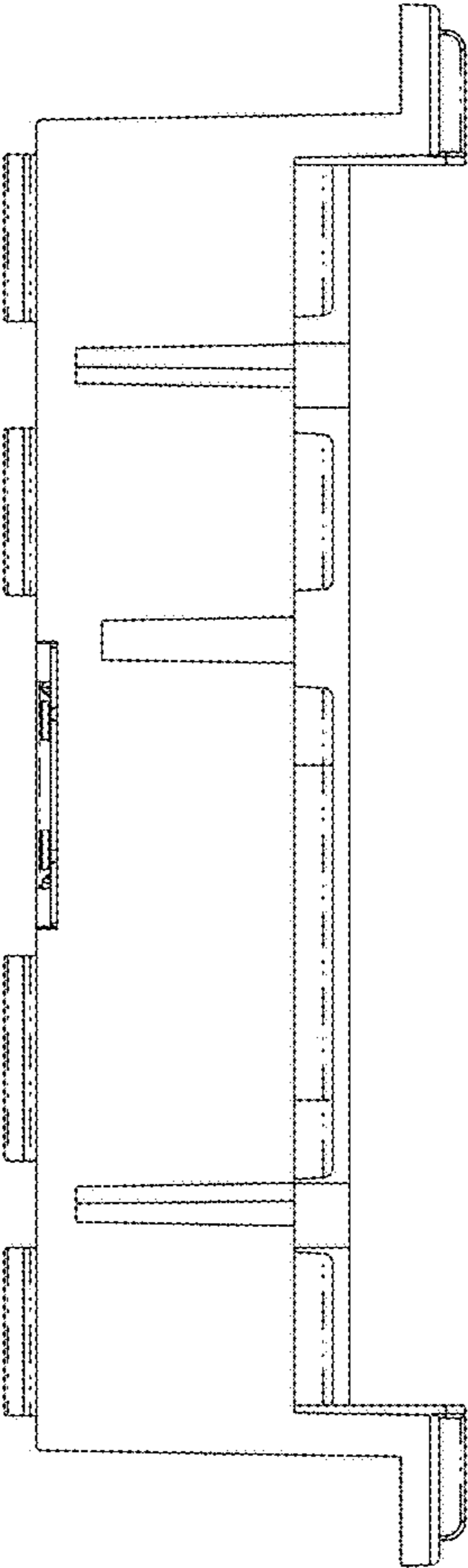


FIG. 3

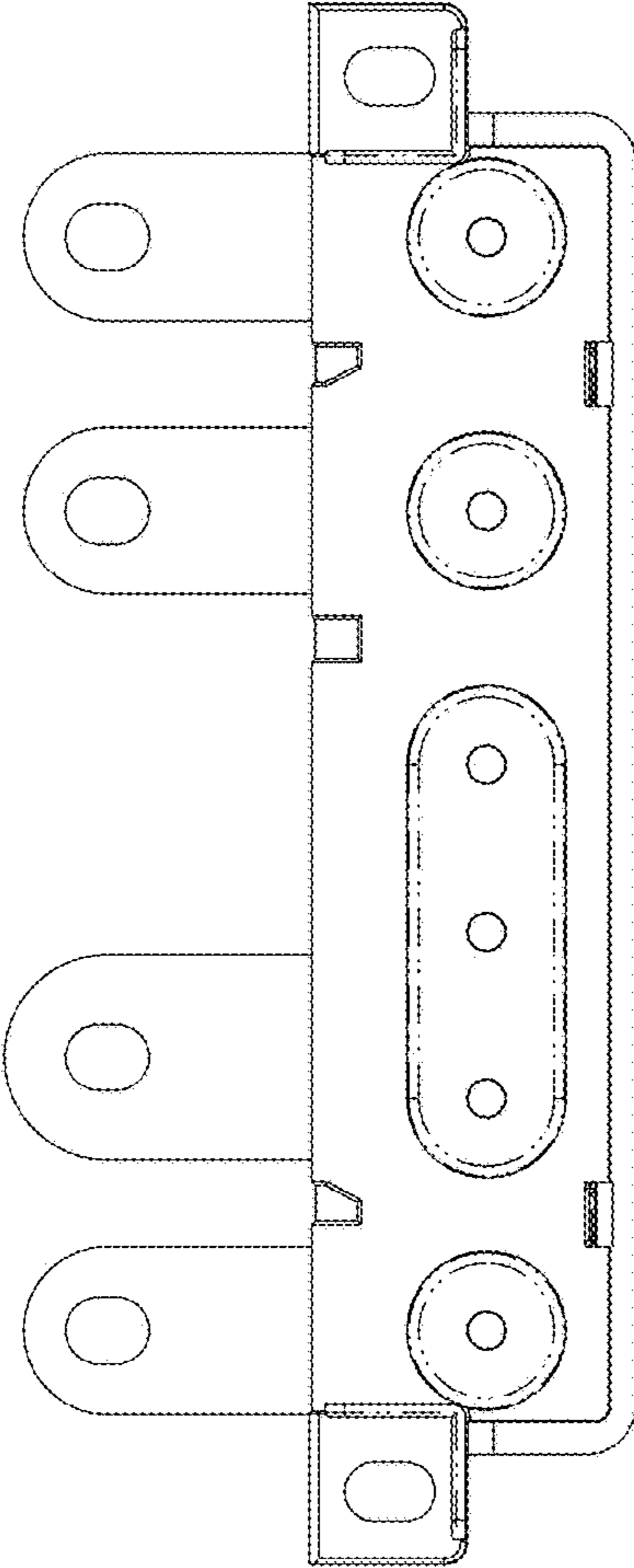


FIG. 4

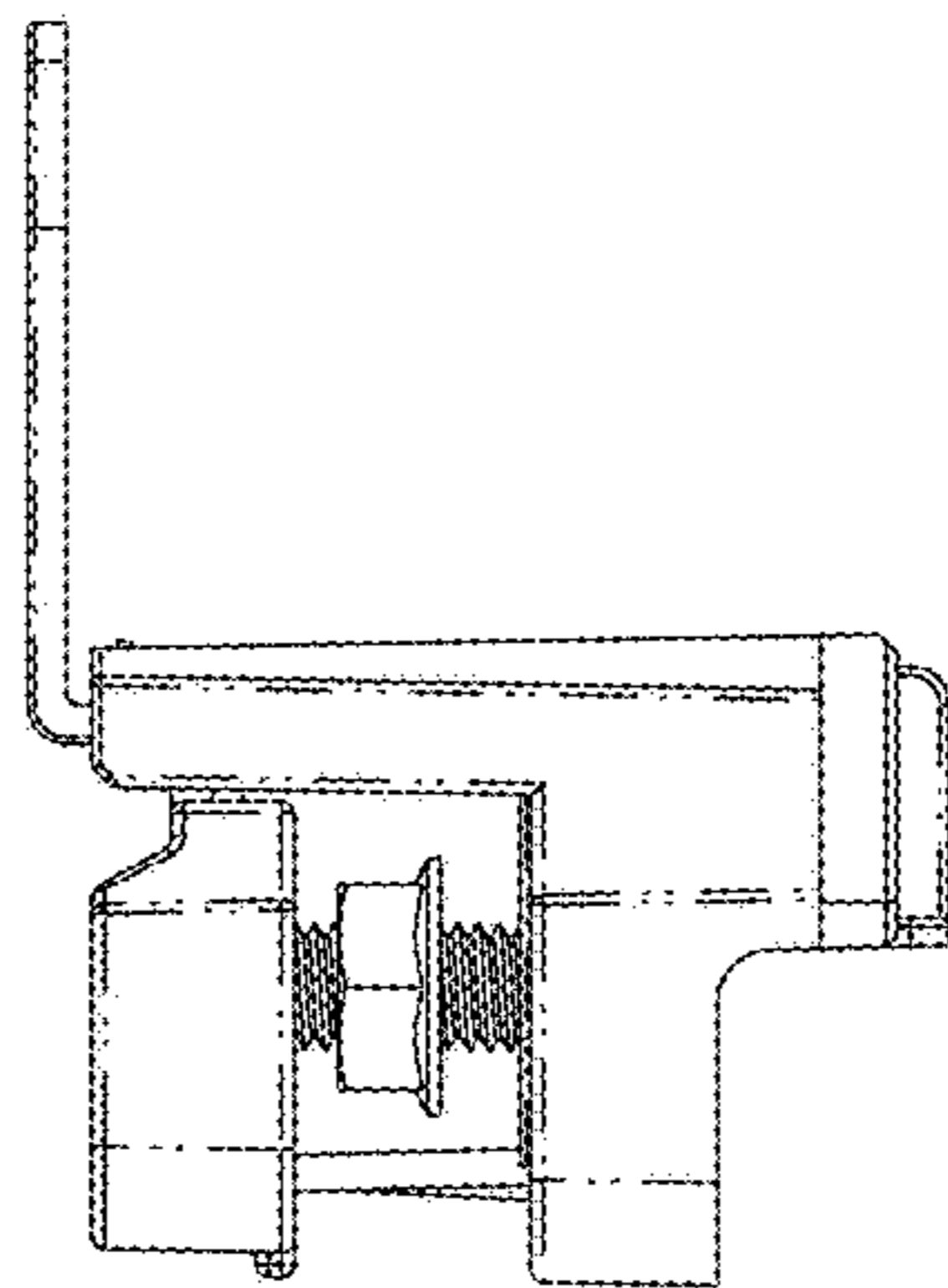


FIG. 5

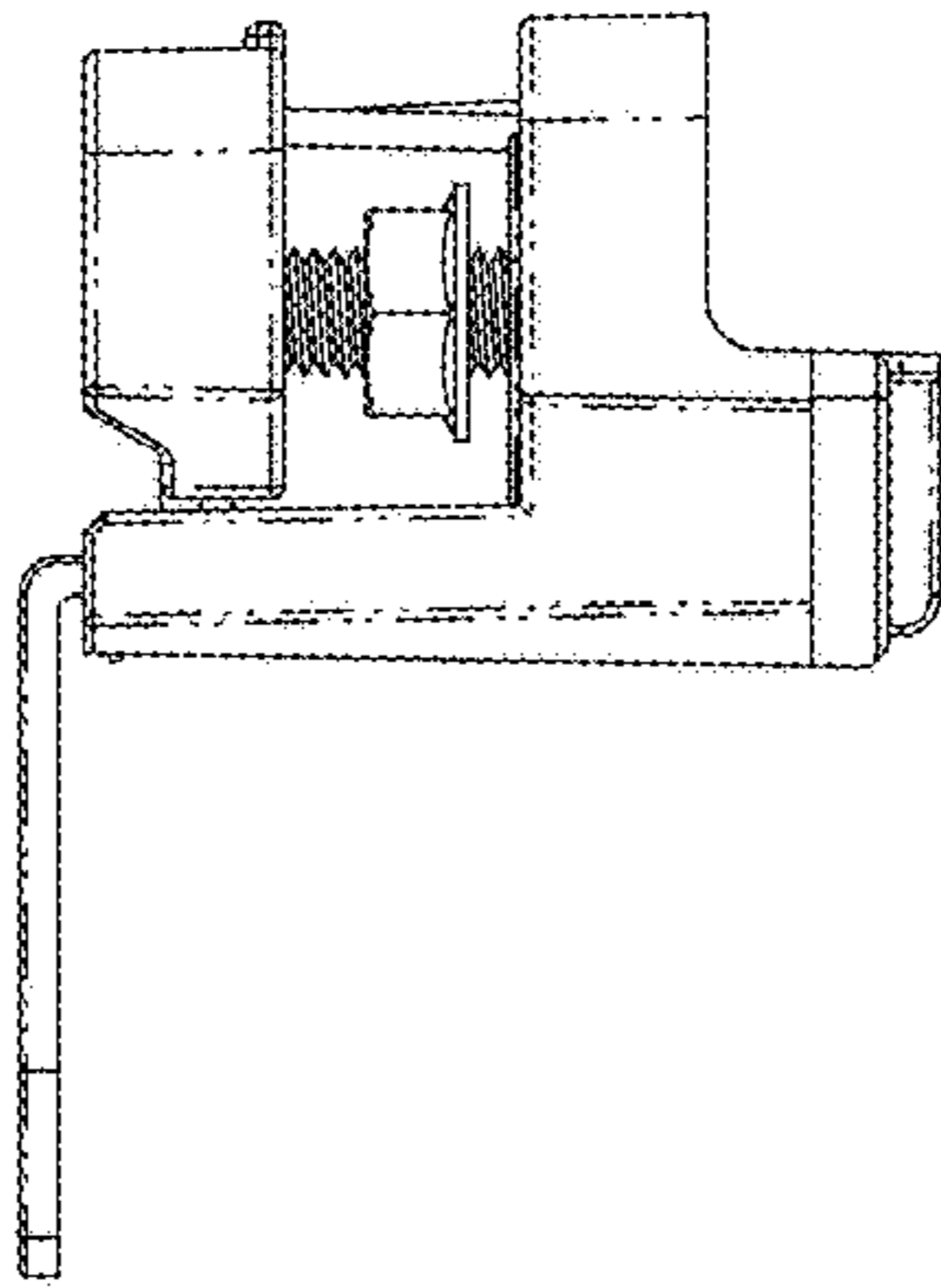


FIG. 6

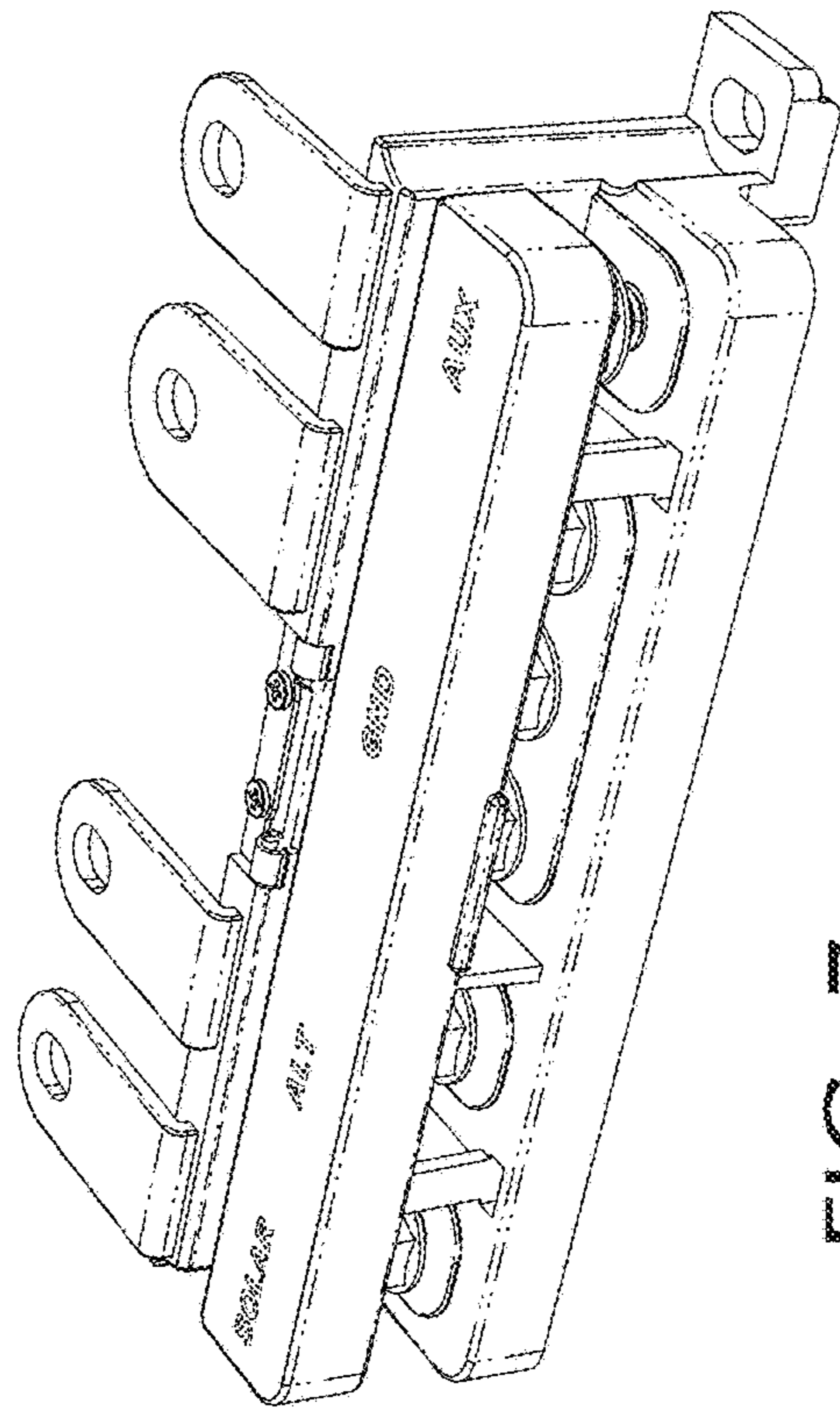


FIG. 7

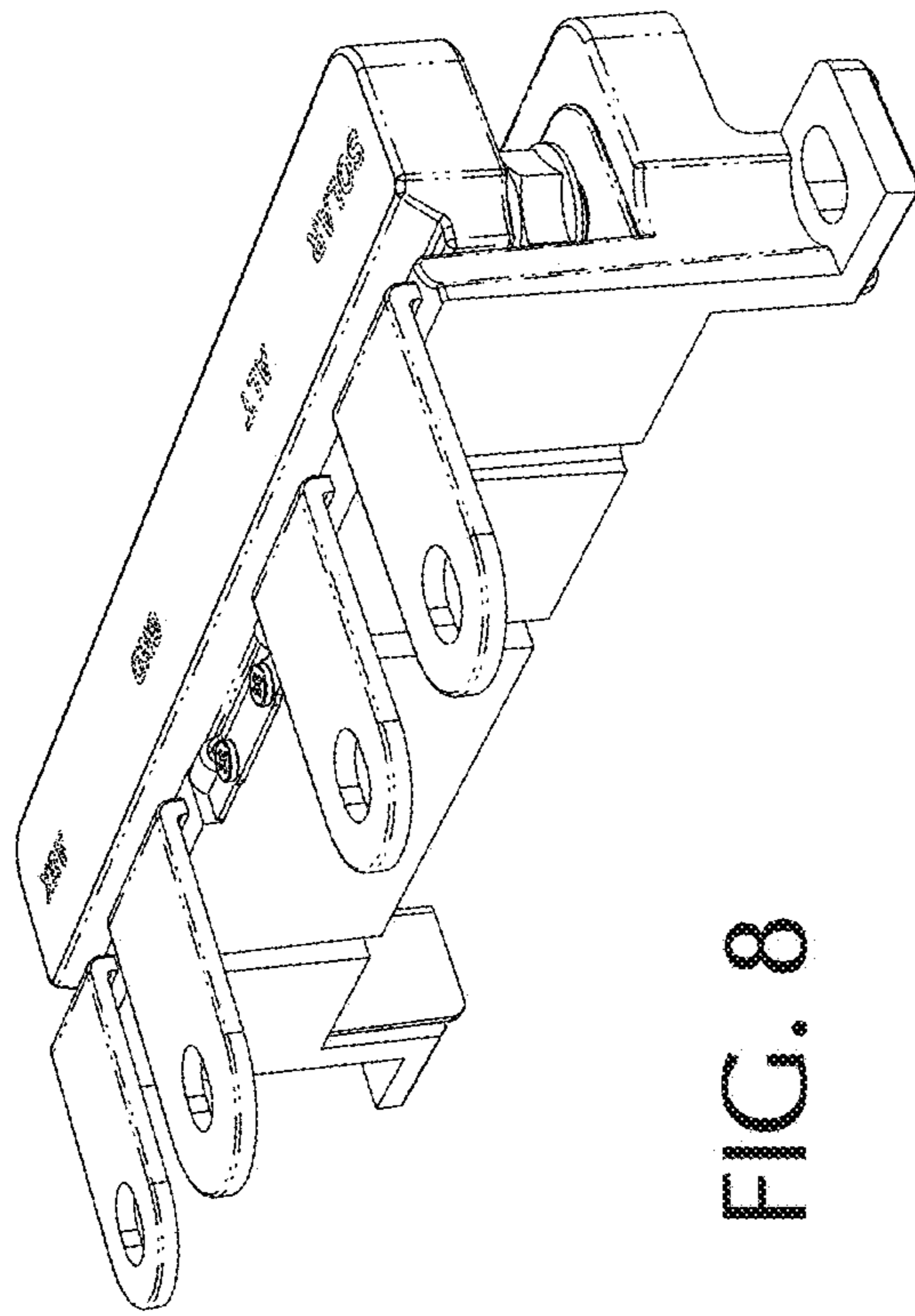


FIG. 8