



US00D847094S

(12) **United States Design Patent**
Biasillo et al.

(10) **Patent No.:** **US D847,094 S**

(45) **Date of Patent:** **** Apr. 30, 2019**

(54) **CONNECTOR**

(71) Applicant: **THE RAYMOND CORPORATION**,
Greene, NY (US)

(72) Inventors: **Sean Biasillo**, Binghamton, NY (US);
Rory Haggerty, Nanticoke, NY (US);
John Quartararo, Vestal, NY (US)

(73) Assignee: **The Raymond Corporation**, Greene,
NY (US)

(**) Term: **15 Years**

(21) Appl. No.: **29/625,008**

(22) Filed: **Nov. 6, 2017**

(51) **LOC (11) Cl.** **13-03**

(52) **U.S. Cl.**
USPC **D13/147**

(58) **Field of Classification Search**
USPC D13/118, 123, 133, 137.1–139.8,
D13/145–147, 154, 173, 177, 184, 199;
D9/414, 430–432, 434
CPC H01R 12/00; H01R 13/40; H01R 13/436;
H01R 13/52; H01R 13/62; H01R 13/627;
H01R 13/64; H01R 13/648; H01R 13/66;
H01R 13/74; H01R 24/00; H01R 24/28
See application file for complete search history.

(56) **References Cited**

U.S. PATENT DOCUMENTS

| | | | | |
|---------------|---------|------------|-------|------------------------|
| D311,379 S * | 10/1990 | Kuzuno | | D13/147 |
| D366,241 S * | 1/1996 | Eaton | | D13/147 |
| D366,454 S * | 1/1996 | Eaton | | D13/147 |
| 5,489,216 A * | 2/1996 | Matsushita | | H01R 12/721 439/260 |
| 5,941,732 A * | 8/1999 | Okamura | | H01R 13/40 439/598 |
| 6,089,909 A * | 7/2000 | Tokuwa | | H01R 13/743 439/552 |

| | | | | |
|-------------------|---------|-----------|-------|----------------------------|
| D460,048 S * | 7/2002 | Watanabe | | D13/147 |
| 6,592,409 B1 * | 7/2003 | Oehme | | H01R 13/52 439/680 |
| D556,142 S * | 11/2007 | Kudo | | D13/147 |
| D598,392 S * | 8/2009 | Vigorito | | D13/152 |
| D605,602 S * | 12/2009 | Mase | | D13/147 |
| D686,159 S * | 7/2013 | Takahashi | | D13/147 |
| D763,196 S * | 8/2016 | DeCosta | | D13/152 |
| 2014/0364009 A1 * | 12/2014 | Kondo | | H01R 13/6625 439/620.09 |

(Continued)

Primary Examiner — Angela J Lee

Assistant Examiner — Shawn T Gingrich

(74) *Attorney, Agent, or Firm* — Quarles & Brady LLP

(57) **CLAIM**

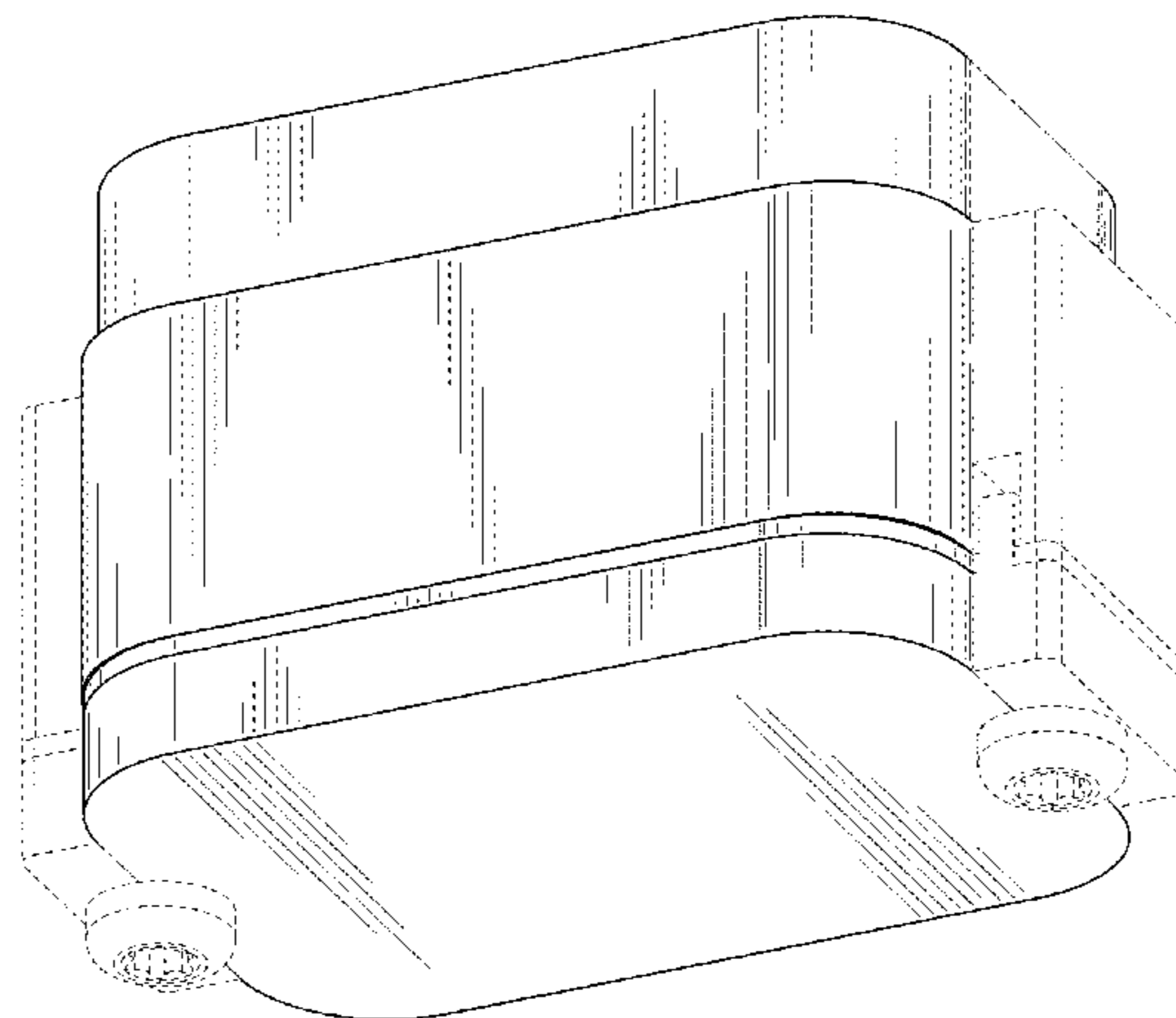
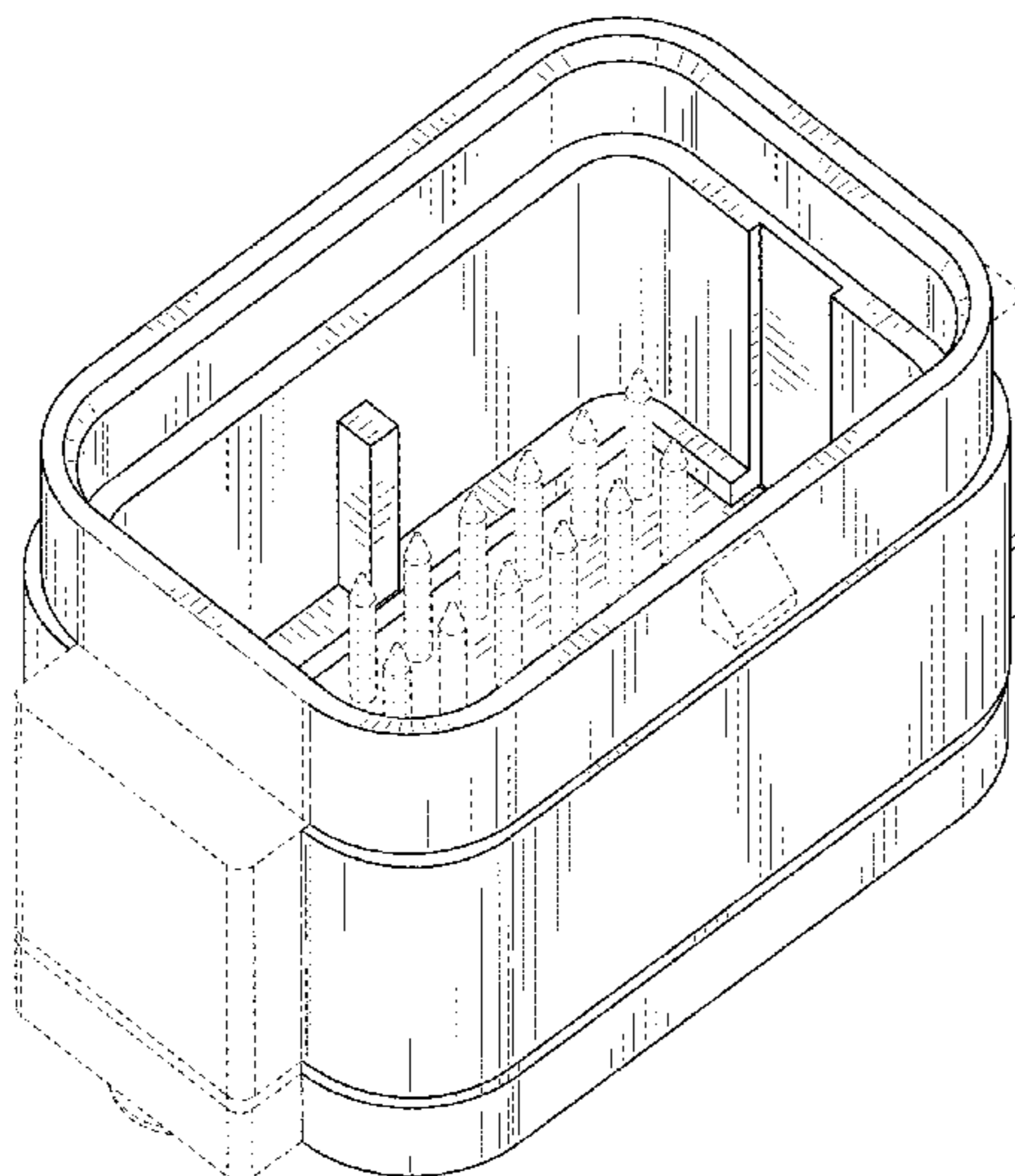
The ornamental design for a connector, as shown and described.

DESCRIPTION

FIG. 1 is a perspective view of a front, top, and left side of an ornamental design for a connector;
FIG. 2 is a front elevational view of the connector of FIG. 1;
FIG. 3 is a rear elevational view of the connector of FIG. 1;
FIG. 4 is a right side elevational view of the connector of FIG. 1;
FIG. 5 is a left side elevational view of the connector of FIG. 1;
FIG. 6 is a top plan view of the connector of FIG. 1;
FIG. 7 is a bottom plan view of the connector of FIG. 1; and,
FIG. 8 is a perspective view of a rear, bottom, and left side of the connector of FIG. 1.

The dash-dash-dash lines are included for the purpose of illustrating portions of the connector that form no part of the claimed design. The dash-dot-dash lines showing boundary lines form no part of the claimed design.

1 Claim, 5 Drawing Sheets



(56)

References Cited

U.S. PATENT DOCUMENTS

2015/0009640 A1* 1/2015 Stern H05K 3/30
361/752
2015/0017826 A1* 1/2015 Chatelus H01R 13/6272
439/271
2017/0201079 A1* 7/2017 Shiraki B60R 16/02
2018/0309278 A1* 10/2018 Ikeda B60R 16/0207

* cited by examiner

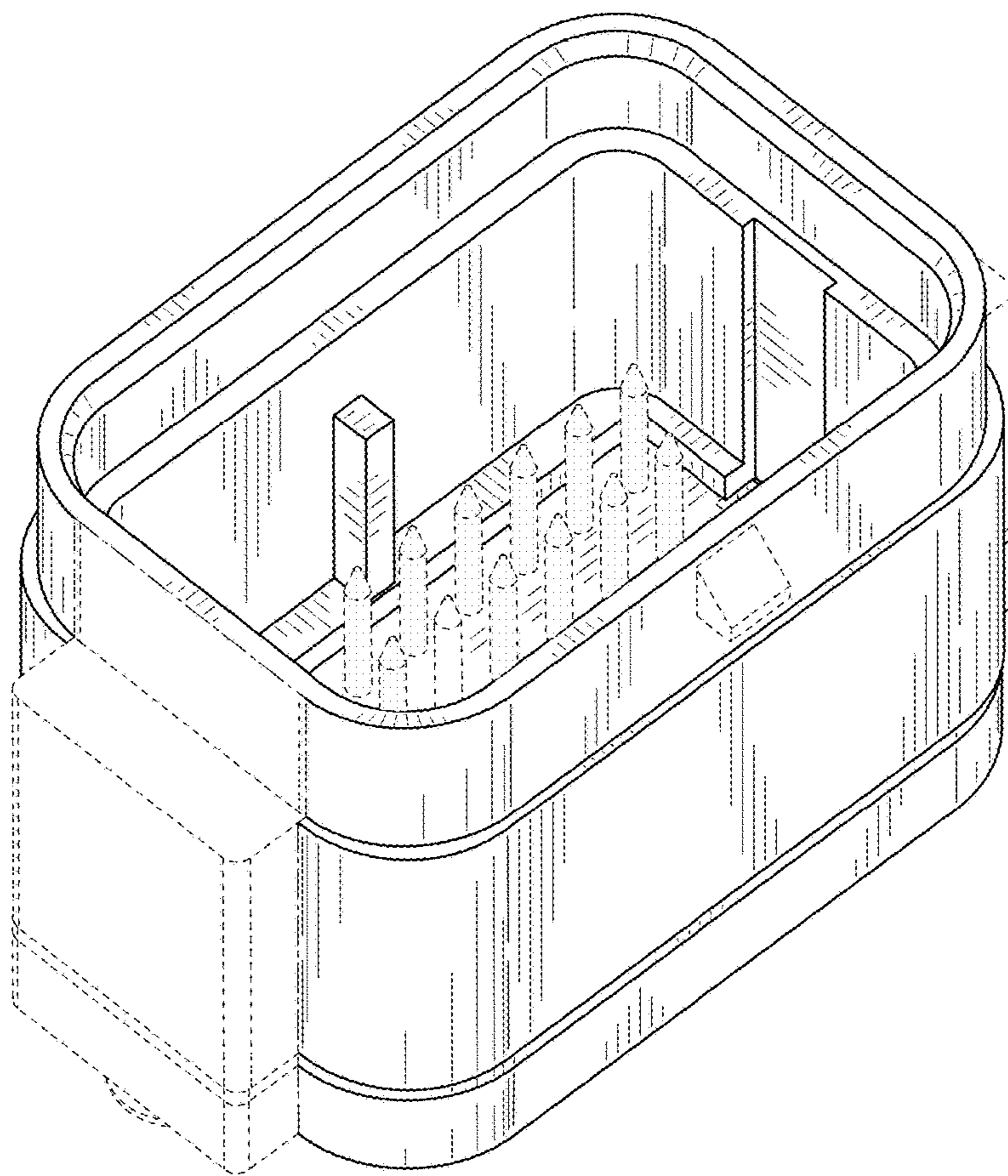


FIG. 1

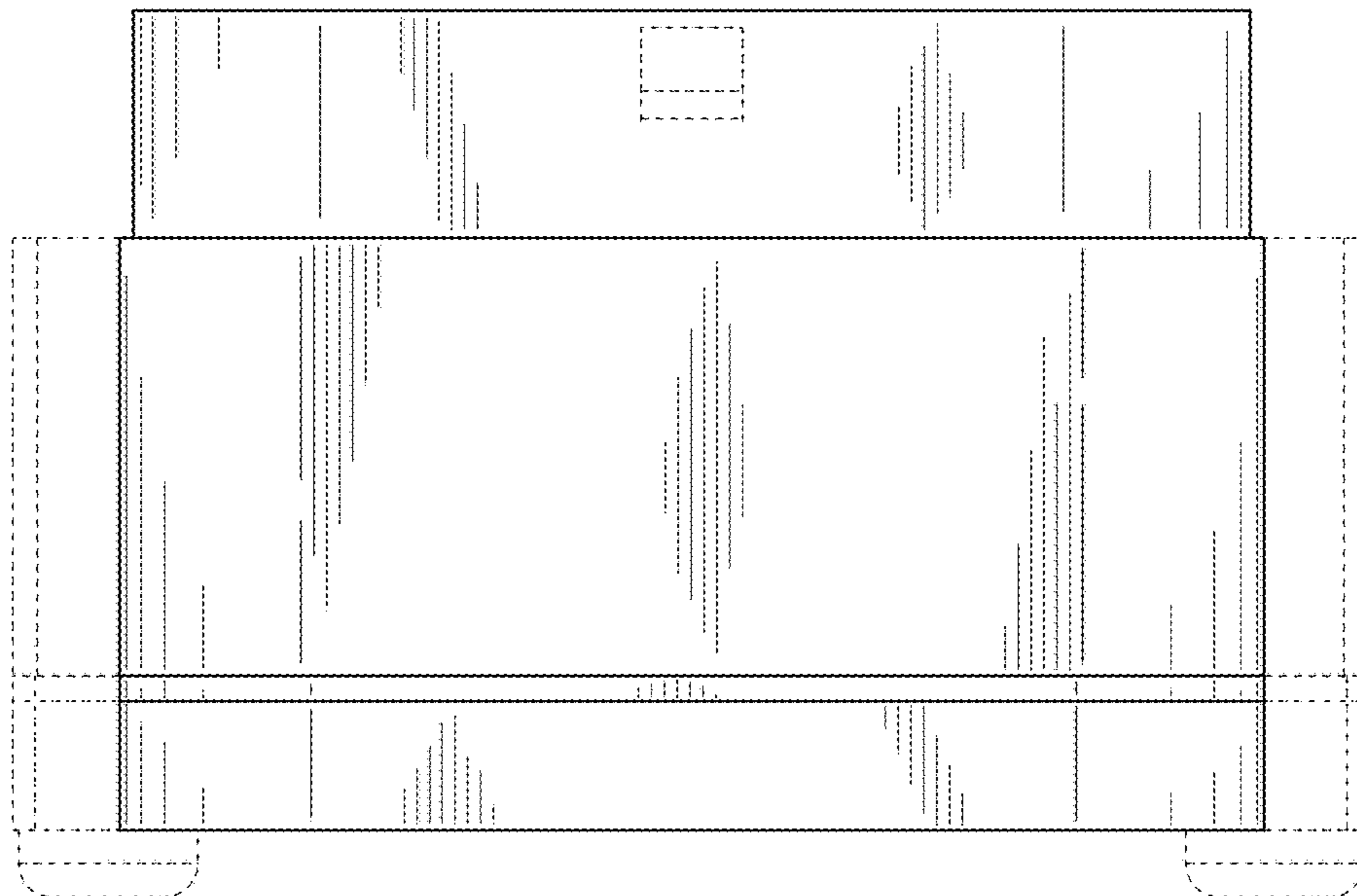


FIG. 2

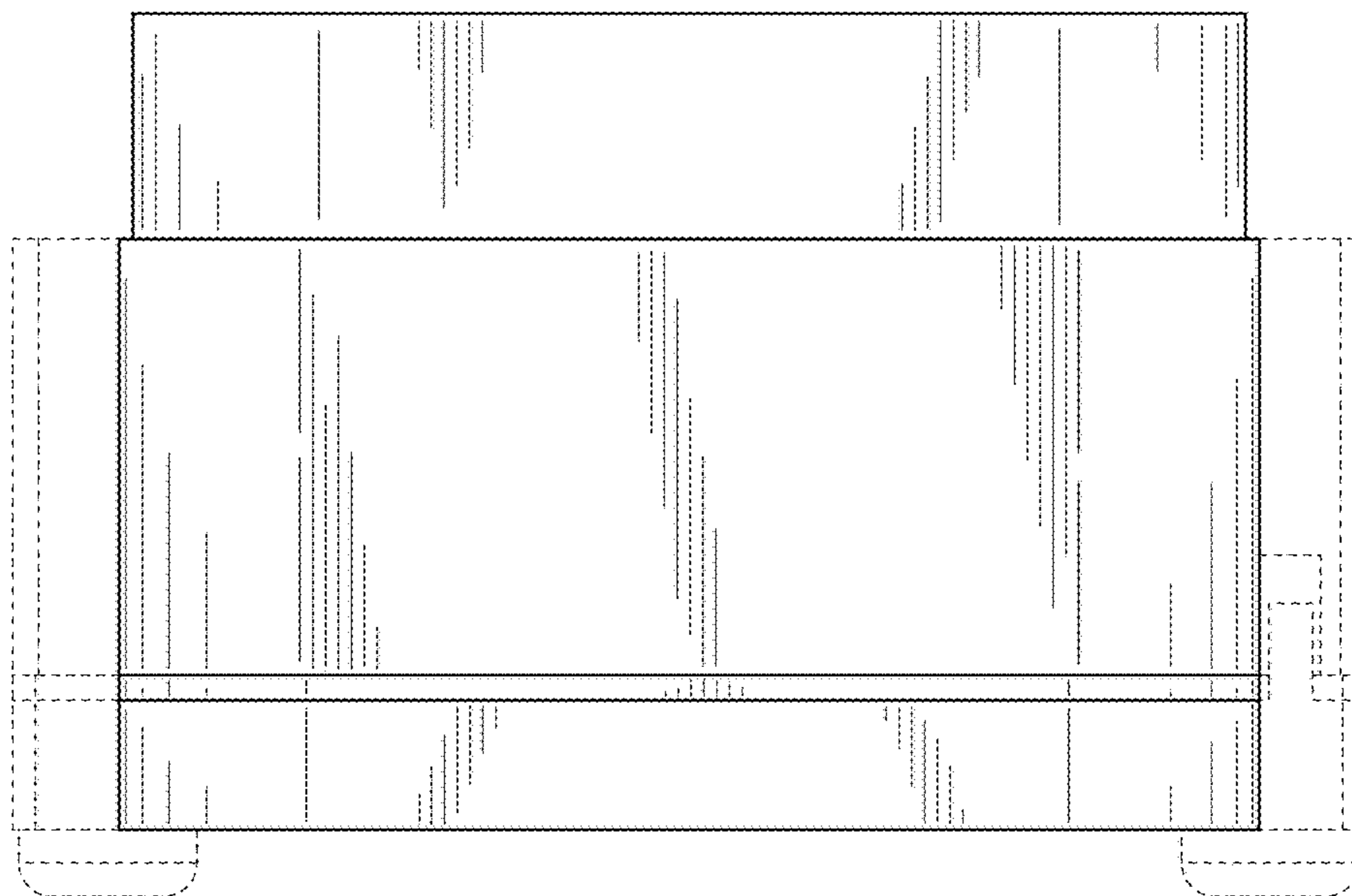


FIG. 3

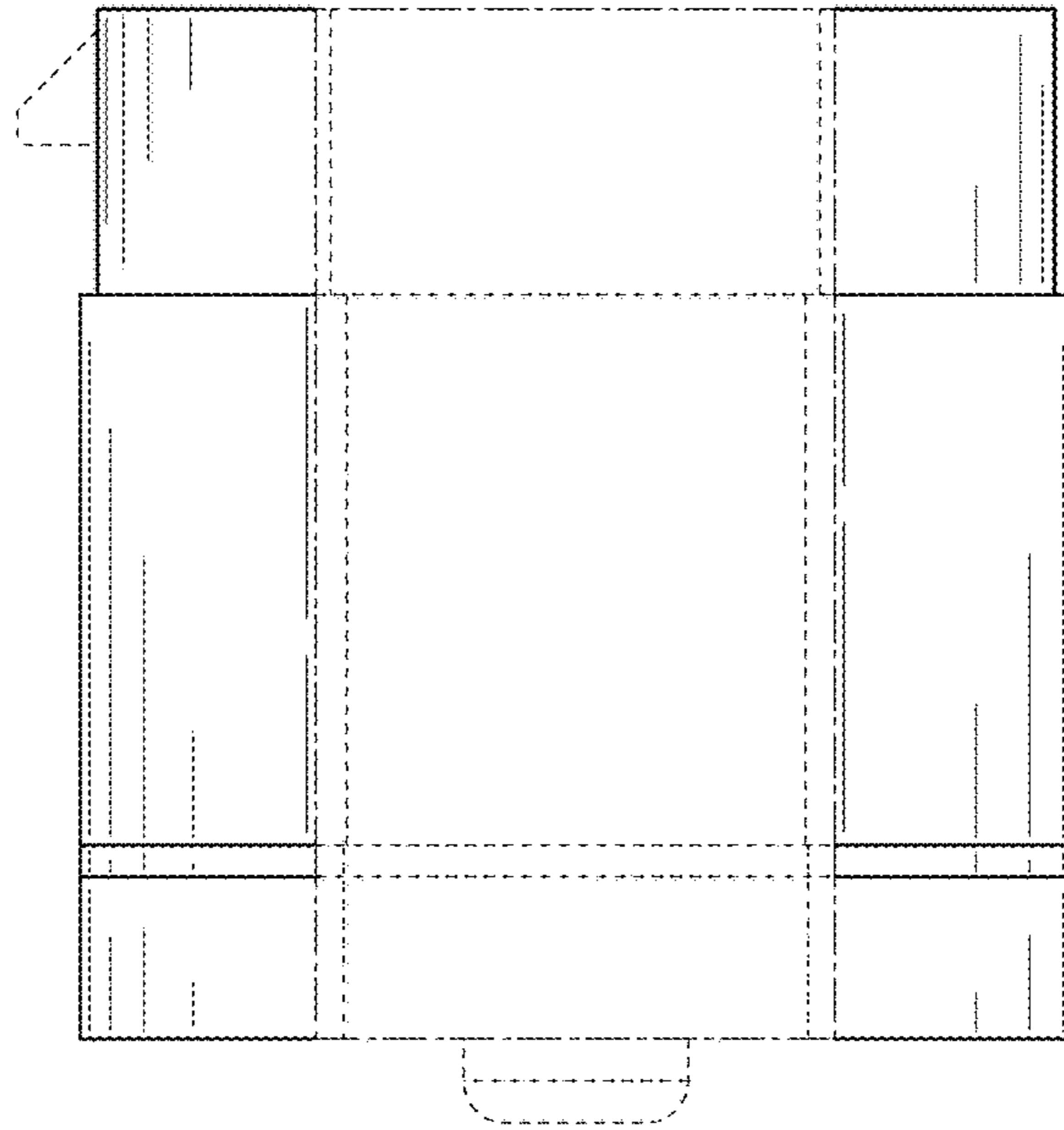


FIG. 4

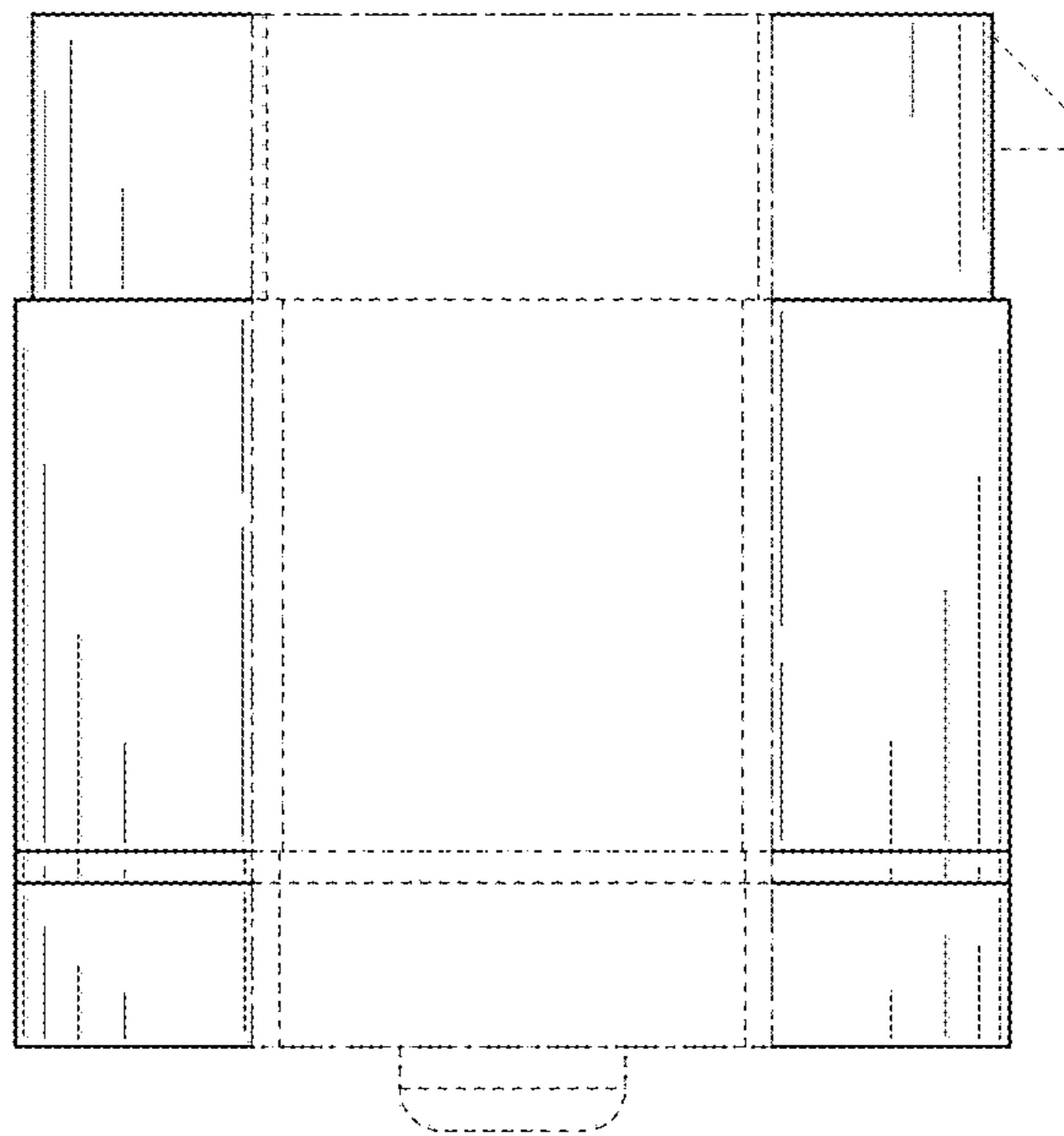


FIG. 5

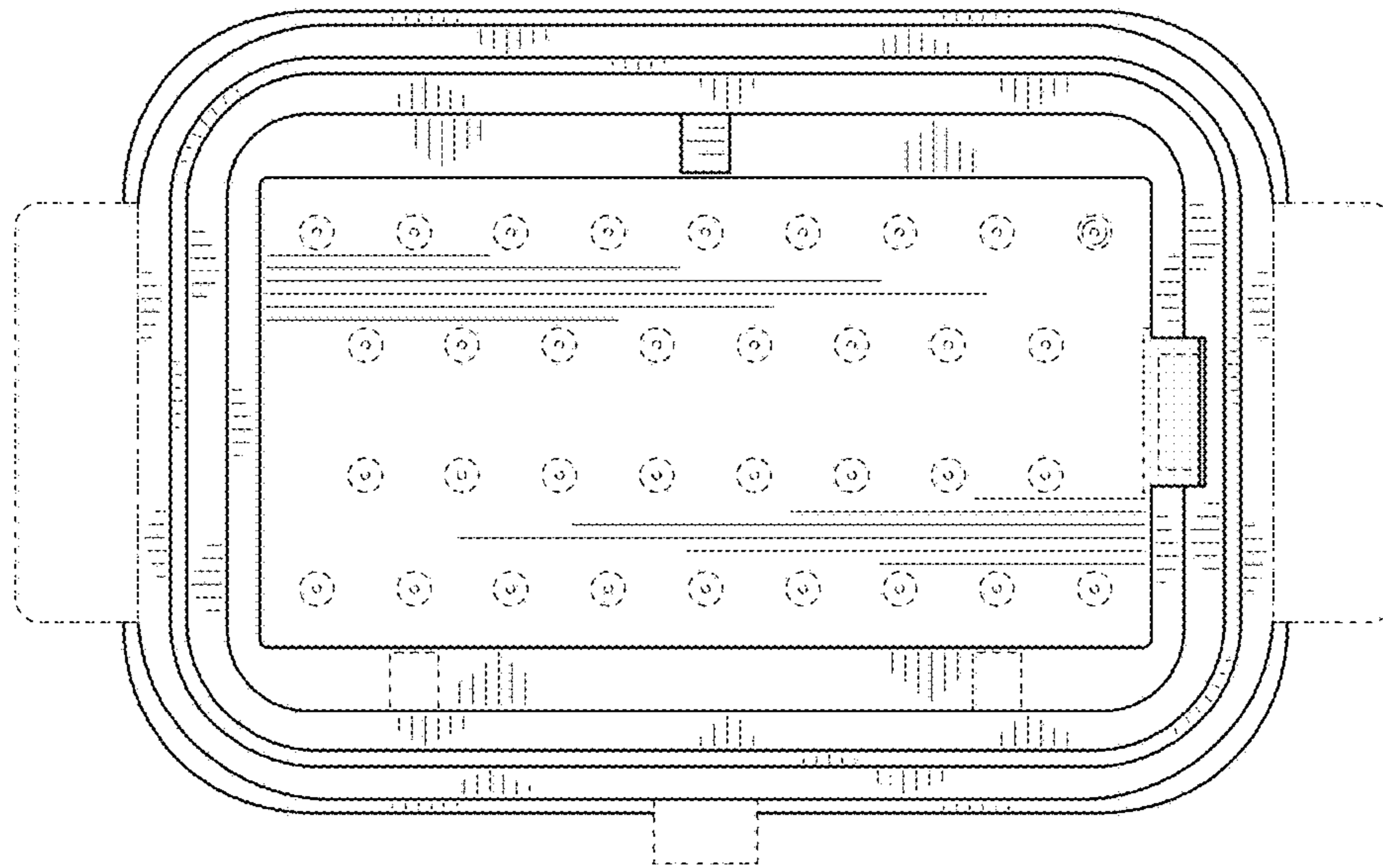


FIG. 6

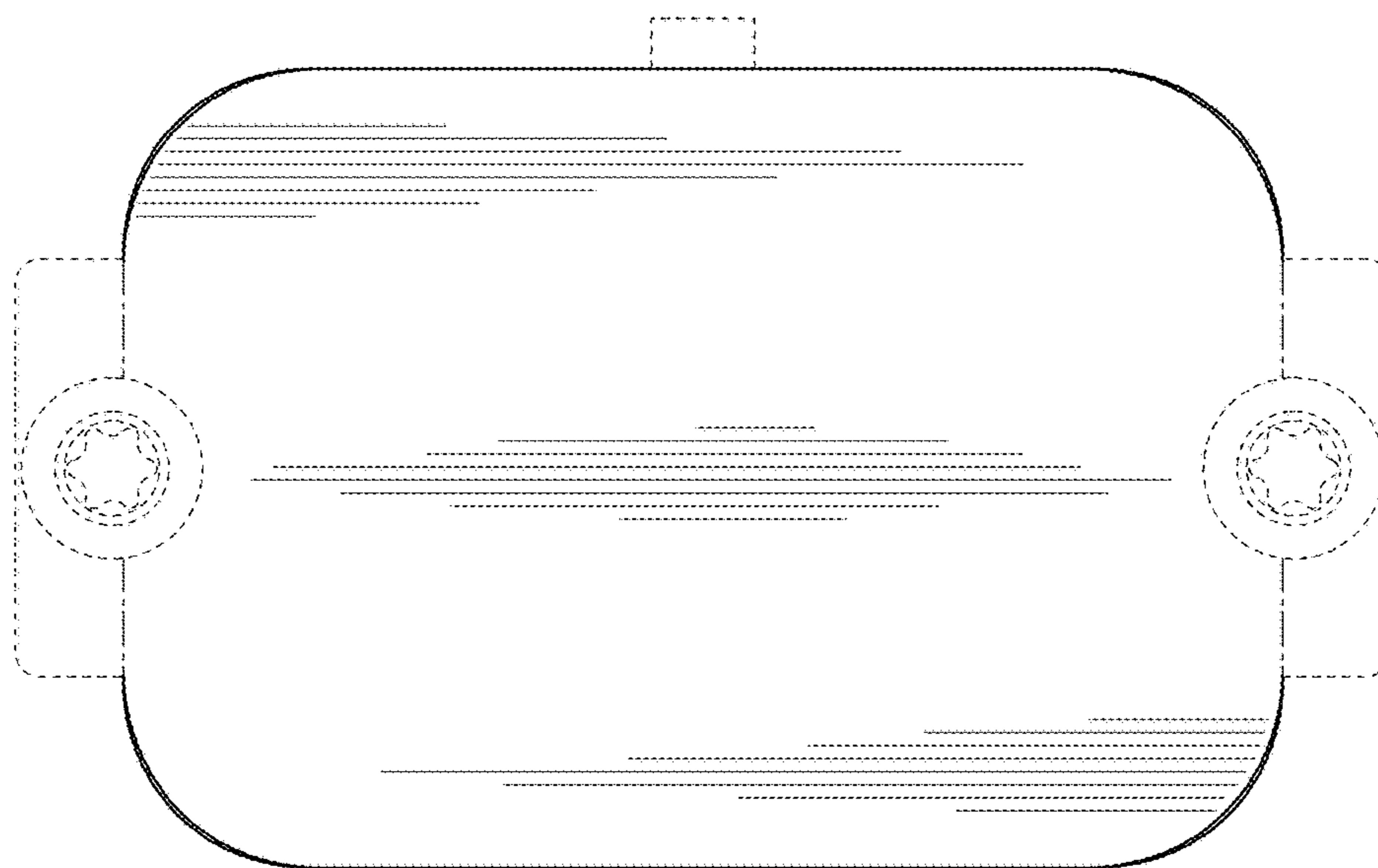


FIG. 7

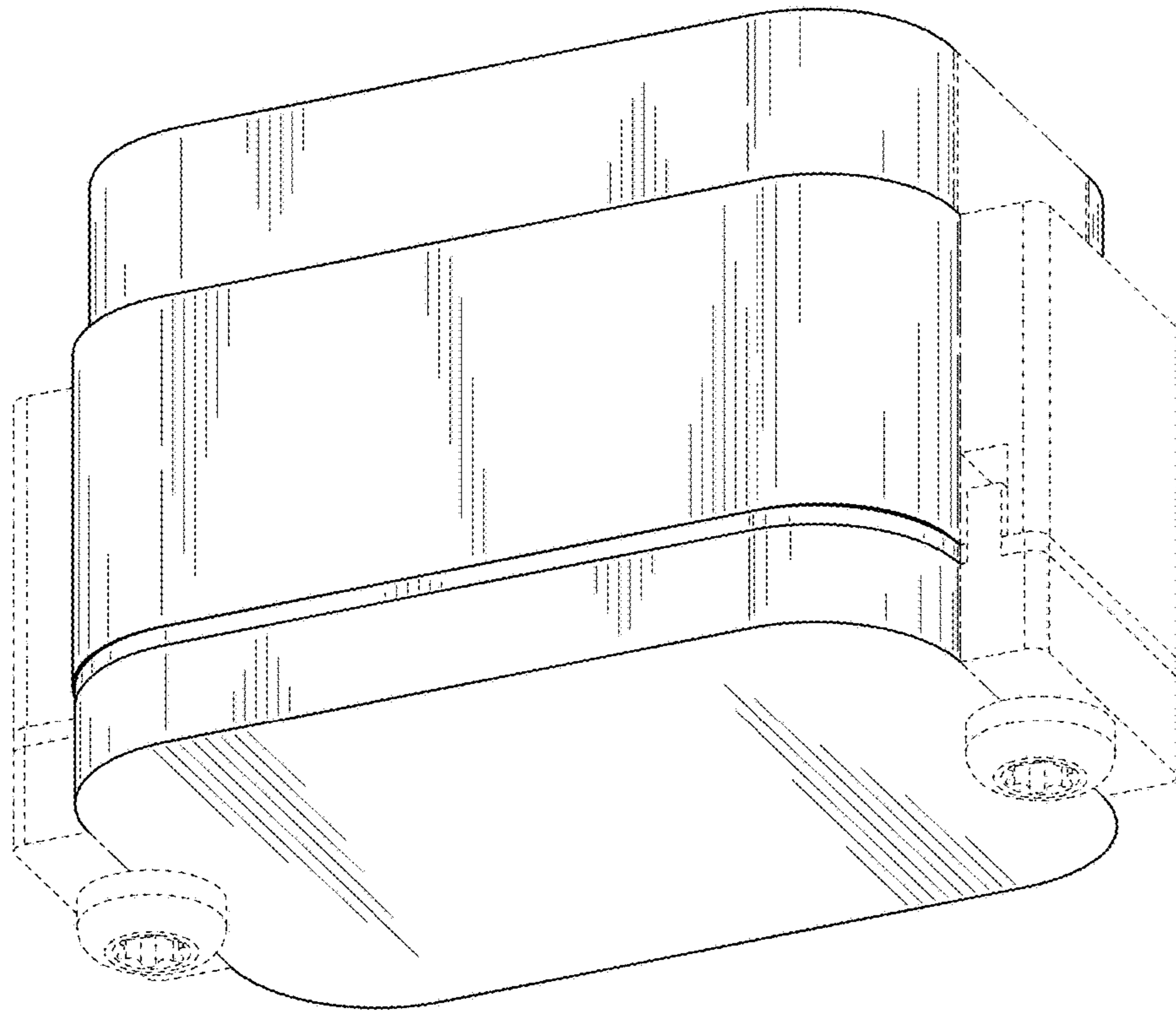


FIG. 8