



US00D847093S

(12) **United States Design Patent** (10) **Patent No.:** **US D847,093 S**  
**Barrefelt et al.** (45) **Date of Patent:** **\*\* \*Apr. 30, 2019**

(54) **ELECTRICAL OR OPTICAL CONNECTOR**

CPC ... A61B 1/00; H01R 9/00; H01R 9/05; H01R 13/00; H01R 13/33; H01R 13/40; H01R 13/52; H01R 13/56; H01R 13/58; H01R 13/62; H01R 13/63; H01R 33/00; G02B 6/36; F16L 21/06

(71) Applicants: **Tyco Electronics Svenska AB**, Uplands Vasby (SE); **TE Connectivity Nederland B.V.**, AR s-Hertogenbosch (NL)

See application file for complete search history.

(72) Inventors: **Rickard Barrefelt**, Stockholm (SE); **Sebastiaan Roger Neerincx**, Tilburg (NL); **Albert Pieter Jan Mooij**, Hedel (NL); **Andreas Winandus Dieduksman**, s'Hertogenbosch (NL); **Alexandra Petronella M. Dermisek-Van De Langenberg**, Dongen (NL)

(56) **References Cited**

U.S. PATENT DOCUMENTS

D320,001	S	*	9/1991	Hirabayashi	.....	D13/146
D437,294	S		2/2001	Amin		
7,934,943	B2		5/2011	Malstrom et al.		
D647,481	S	*	10/2011	Ohmori	.....	D13/133
D675,161	S		1/2013	Rayner		
D677,627	S	*	3/2013	Dobler	.....	D13/133
D714,725	S		10/2014	Vogelmann		
8,882,364	B2		11/2014	Busse et al.		
9,256,030	B2		2/2016	Belenkiy et al.		

(Continued)

(73) Assignees: **Tyco Electronics Svenska AB**, Vasby (SE); **TE Connectivity Nederland B.V.**, S-Hertogenbosch (NL)

*Primary Examiner* — Angela J Lee  
*Assistant Examiner* — Shawn T Gingrich  
(74) *Attorney, Agent, or Firm* — Barley Snyder

(\*) Notice: This patent is subject to a terminal disclaimer.

(\*\*) Term: **15 Years**

(57) **CLAIM**

(21) Appl. No.: **29/649,762**

The ornamental design for an electrical or optical connector, as shown and described.

(22) Filed: **Jun. 1, 2018**

**DESCRIPTION**

**Related U.S. Application Data**

(62) Division of application No. 29/534,101, filed on Jul. 26, 2015, now Pat. No. Des. 820,210.

FIG. 1 is a bottom, front, and right side perspective view of an electrical or optical connector;  
FIG. 2 is a front view thereof;  
FIG. 3 is a rear view thereof;  
FIG. 4 is a left side elevation view thereof;  
FIG. 5 is a right side elevation view thereof;  
FIG. 6 is a top plan view thereof; and,  
FIG. 7 is a bottom plan view thereof.

(30) **Foreign Application Priority Data**

Jan. 26, 2015 (EM) ..... 002620237

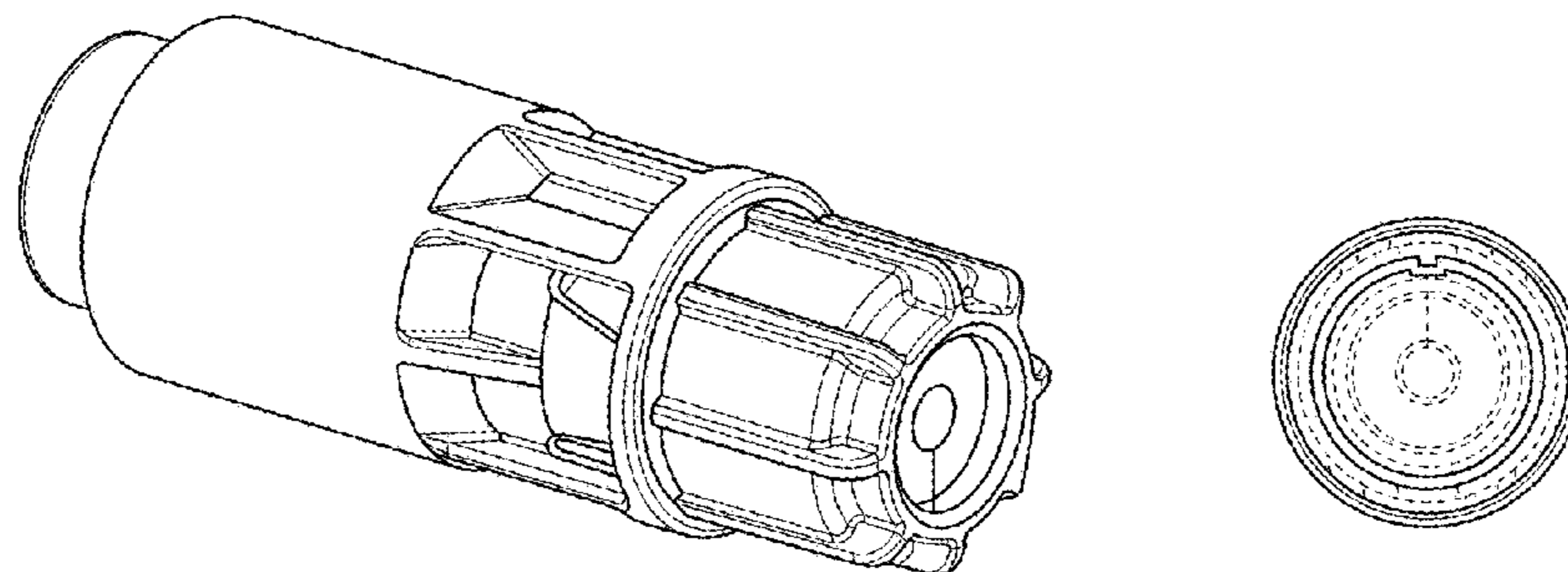
The broken lines shown in the drawings are included for the purpose of illustrating environmental structure and form no part of the claimed design.

(51) **LOC (11) Cl.** ..... **13-03**

(52) **U.S. Cl.**  
USPC ..... **D13/133**

(58) **Field of Classification Search**  
USPC ..... D13/118, 120, 123, 133-135, 145-147, D13/149, 151, 153-157, 173, 184, 199

**1 Claim, 7 Drawing Sheets**



(56)

**References Cited**

## U.S. PATENT DOCUMENTS

D769,822 S \* 10/2016 Reynolds ..... D13/146  
D769,882 S 10/2016 Reynolds  
D804,426 S 12/2017 Watkins  
9,923,288 B2 3/2018 Bertrand  
D820,210 S \* 6/2018 Barrefelt ..... D13/133  
2011/0244721 A1 10/2011 Amidon  
2011/0312210 A1 12/2011 Chawgo et al.  
2011/0312211 A1 12/2011 Natoli  
2014/0057487 A1 2/2014 May  
2014/0340076 A1 \* 11/2014 Ilg ..... H01R 13/516  
324/156  
2015/0369406 A1 \* 12/2015 Dieduksman ..... H02G 3/0468  
285/417  
2015/0372417 A1 \* 12/2015 Dieduksman ..... G02B 6/3807  
439/461  
2016/0018603 A1 \* 1/2016 Mooij ..... G02B 6/3817  
385/76  
2016/0134066 A1 \* 5/2016 Endo ..... H01R 9/05  
439/578  
2016/0172783 A1 \* 6/2016 Endo ..... H01R 13/052  
439/746  
2017/0288335 A1 10/2017 Hsu  
2017/0299817 A1 10/2017 Huang et al.  
2017/0346200 A1 11/2017 Bertrand et al.  
2017/0365962 A1 12/2017 Gniadek  
2018/0115120 A1 \* 4/2018 Islam ..... H01R 13/6658

\* cited by examiner

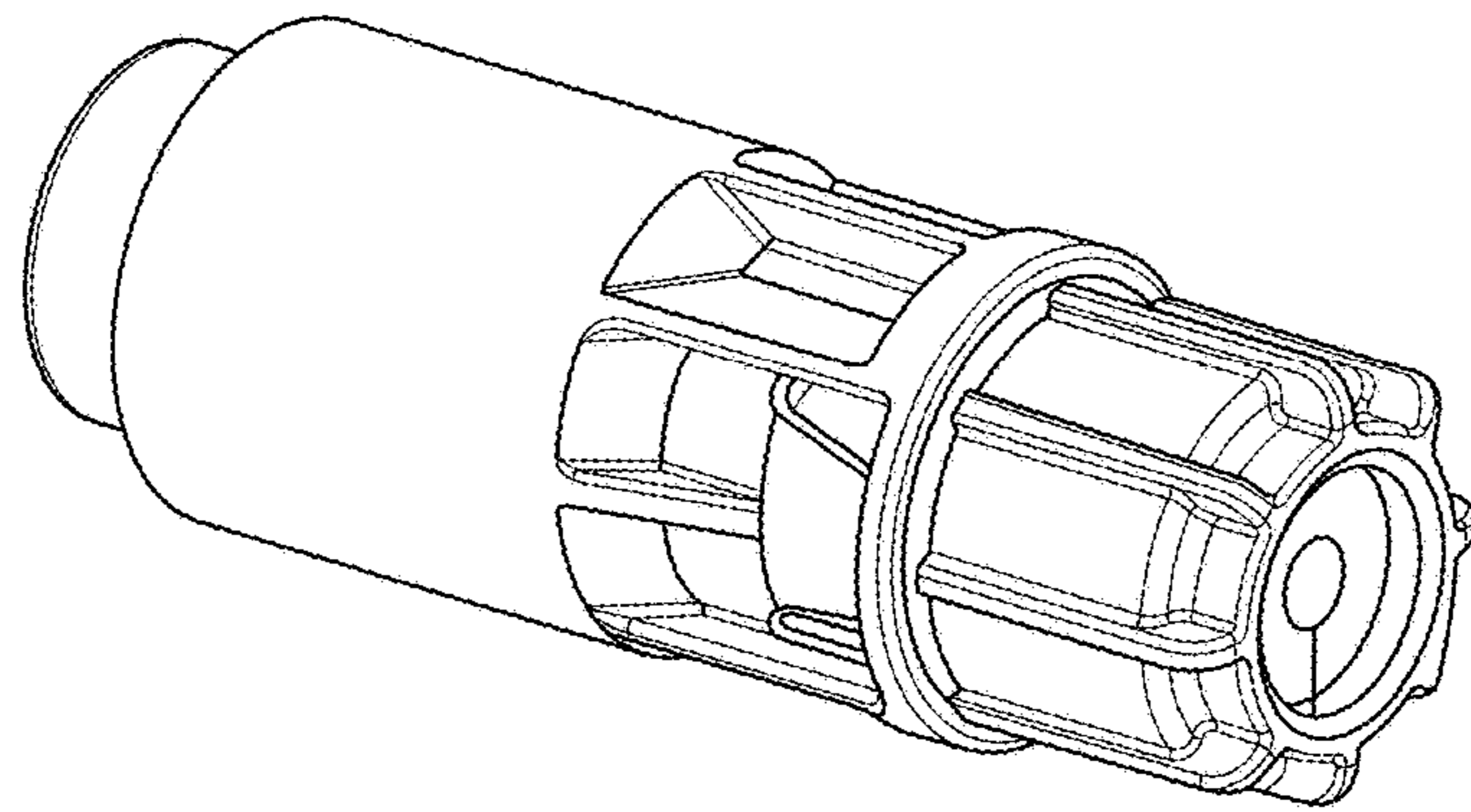


FIG. 1

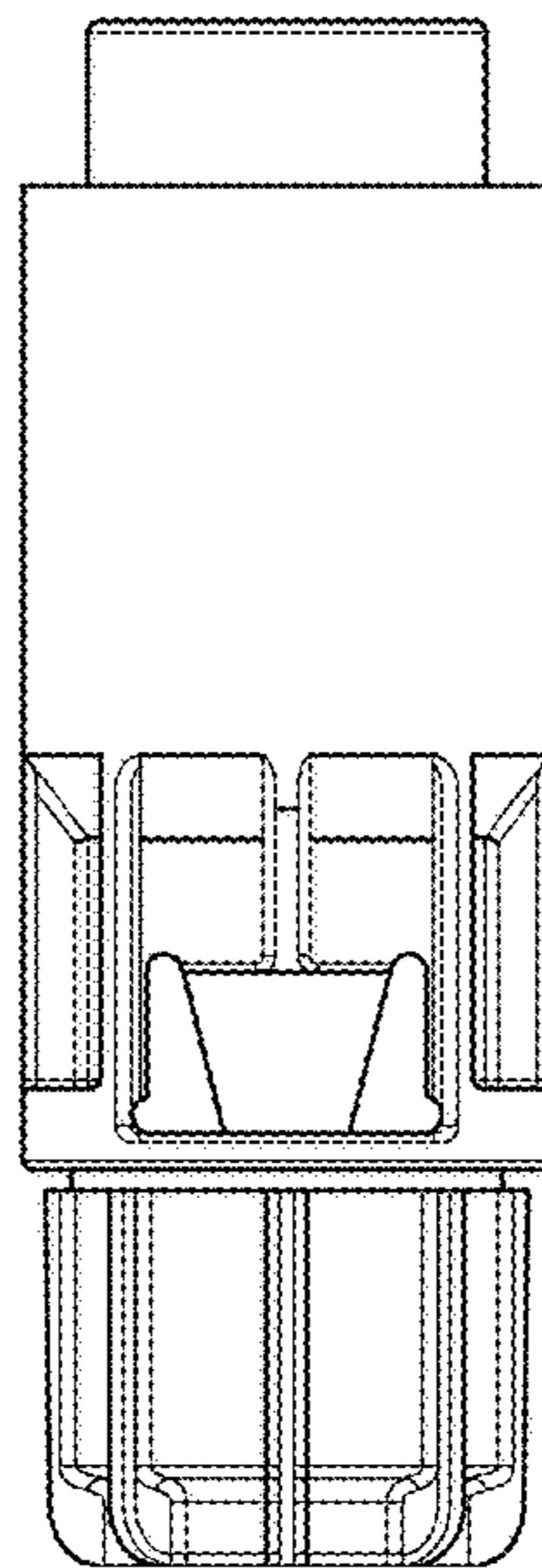


FIG. 2

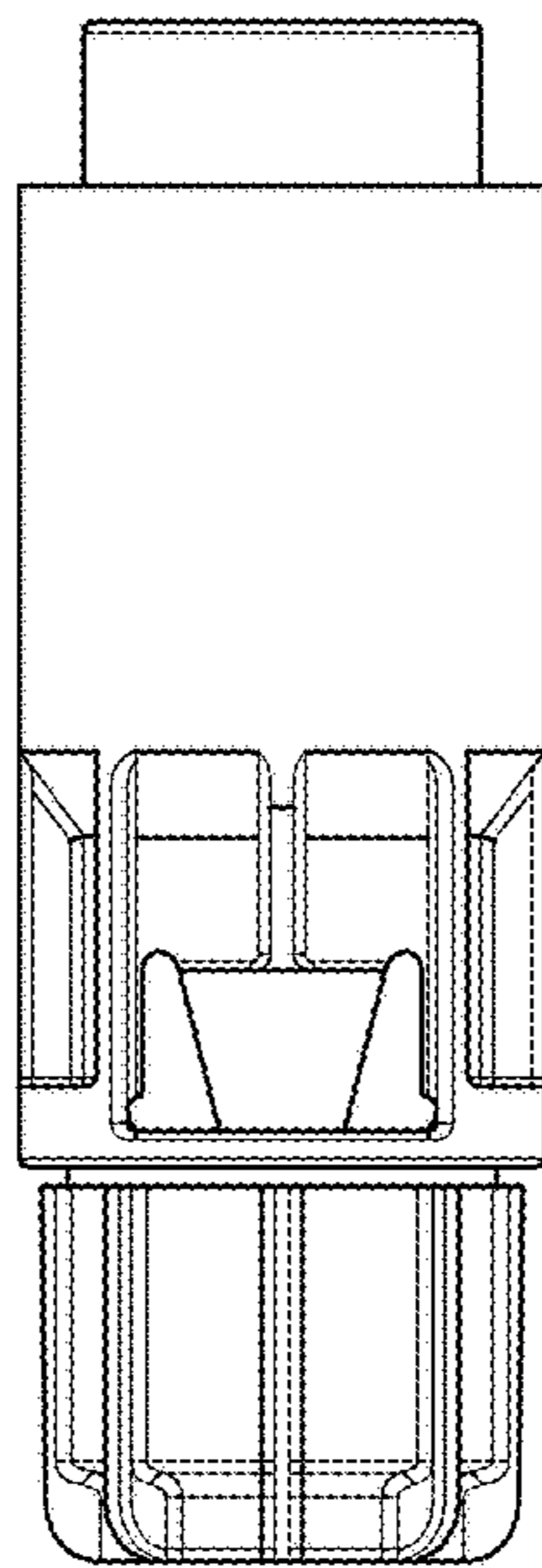


FIG. 3

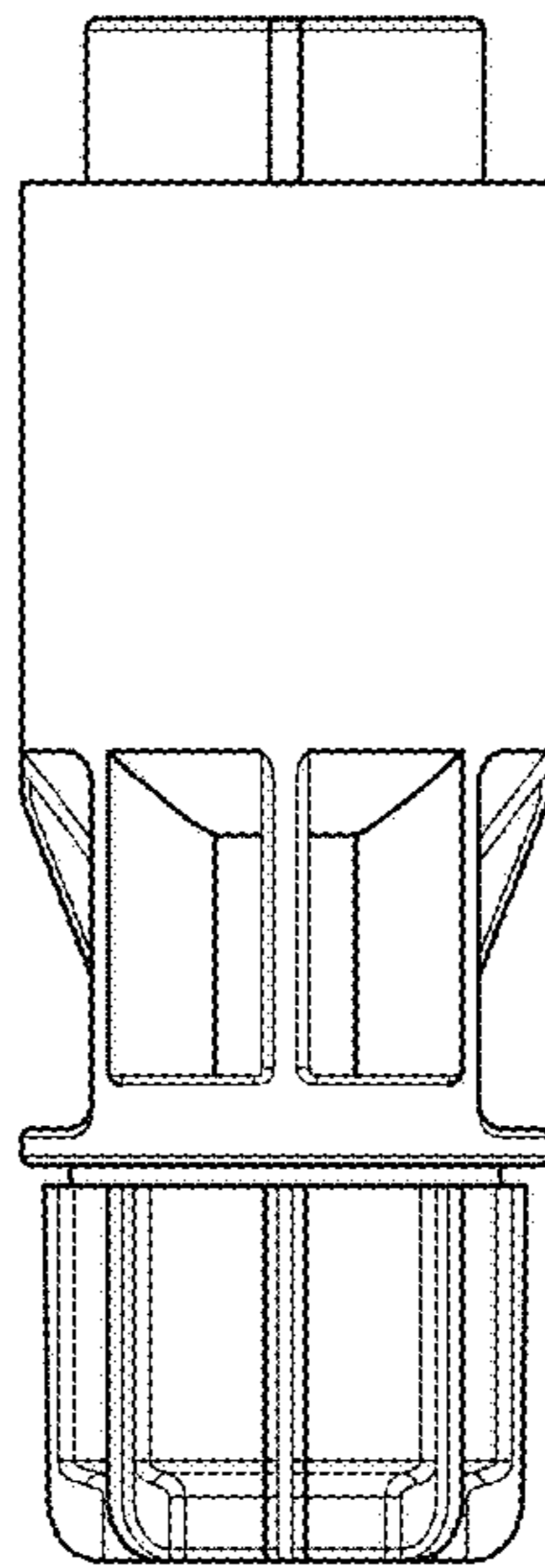


FIG. 4

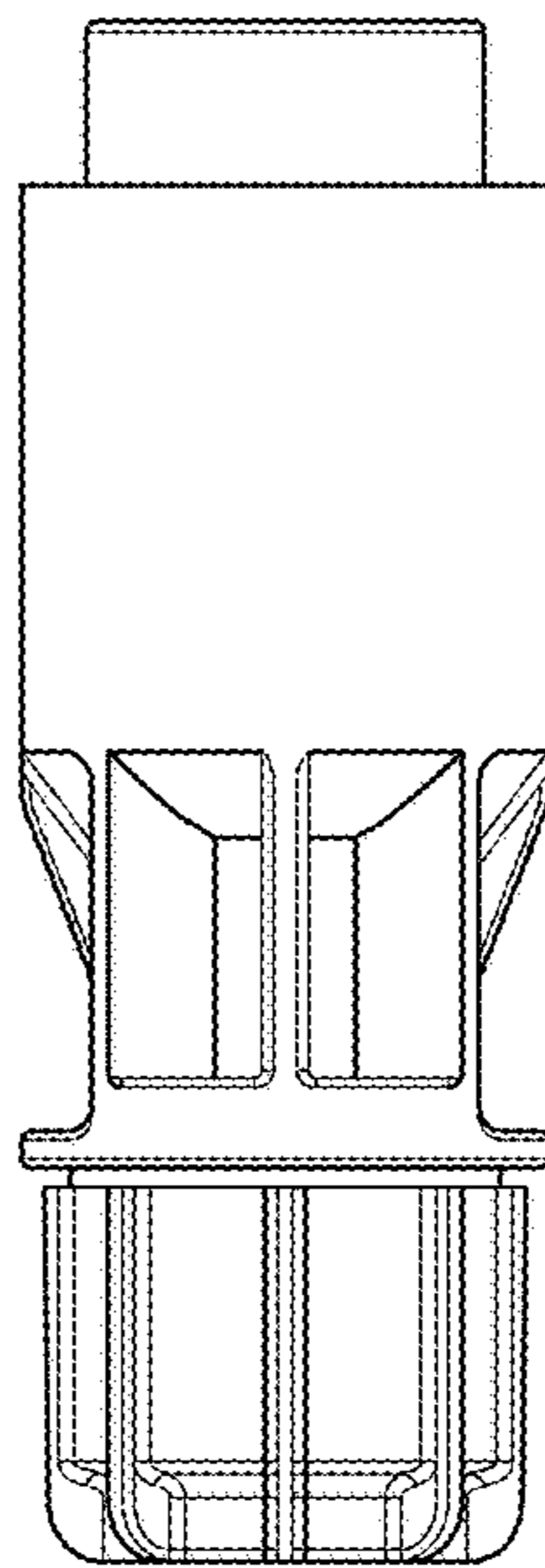


FIG. 5

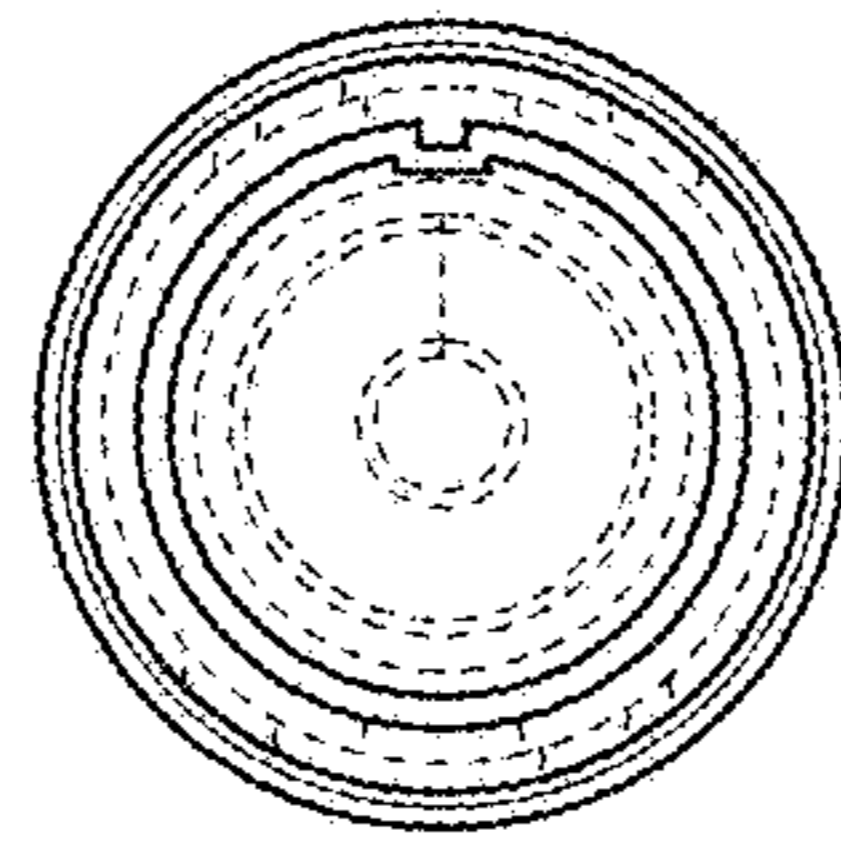


FIG. 6



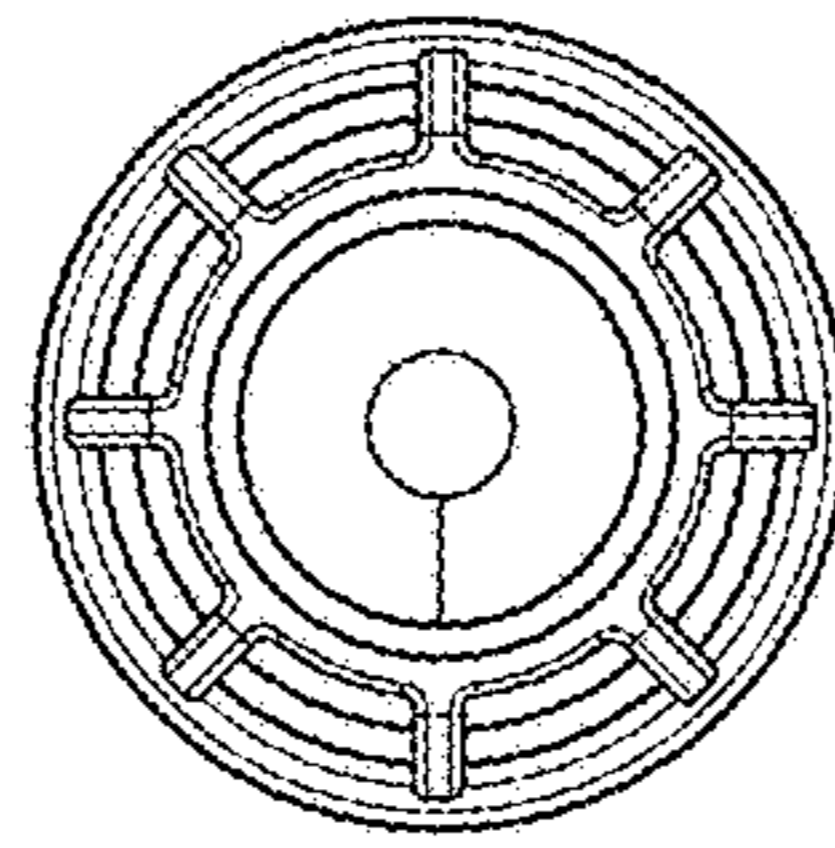


FIG. 7