



US00D847092S

(12) **United States Design Patent** (10) **Patent No.:** **US D847,092 S**
Kelley (45) **Date of Patent:** **** Apr. 30, 2019**

(54) **REVERSE BENT COUPLING** D708,138 S * 7/2014 Sticker D13/133
D756,925 S * 5/2016 Chung D13/133
(71) Applicant: **Mark A. Kelley**, Hahira, GA (US) D756,926 S * 5/2016 Chung D13/133
D793,345 S * 8/2017 Ferrarese D13/154

(72) Inventor: **Mark A. Kelley**, Hahira, GA (US) * cited by examiner

(**) Term: **15 Years**

Primary Examiner — Daniel D Bui

(21) Appl. No.: **29/594,590**

(74) *Attorney, Agent, or Firm* — Withers & Keys, LLC

(22) Filed: **Feb. 21, 2017**

(51) **LOC (11) Cl.** **13-03**

(57) **CLAIM**

(52) **U.S. Cl.**
USPC **D13/133**

The ornamental design for a reverse bent coupling, as shown and described.

(58) **Field of Classification Search**

USPC D13/133, 154, 184, 199; D24/170, 171,
D24/172, 173, 176, 187, 232

CPC H01R 13/516; H01R 13/5219; H01R
13/623; H01R 13/625; H01R 13/6278;
H01R 24/84

DESCRIPTION

See application file for complete search history.

FIG. 1 is a perspective view of a reverse bent coupling showing my new design;

(56) **References Cited**

U.S. PATENT DOCUMENTS

3,335,392 A * 8/1967 Elliott H01R 4/2495
439/423

3,437,982 A * 4/1969 O'Keefe H01R 24/40
439/578

D336,070 S * 6/1993 Clark D13/133

5,685,730 A * 11/1997 Cameron H01R 13/625
439/333

D595,654 S * 7/2009 Andre D13/133

D626,068 S * 10/2010 Giefers D13/133

D691,560 S * 10/2013 Wang D13/133

FIG. 2 is a front view thereof;

FIG. 3 is rear view thereof;

FIG. 4 is a left-side view thereof;

FIG. 5 is a right-side view thereof;

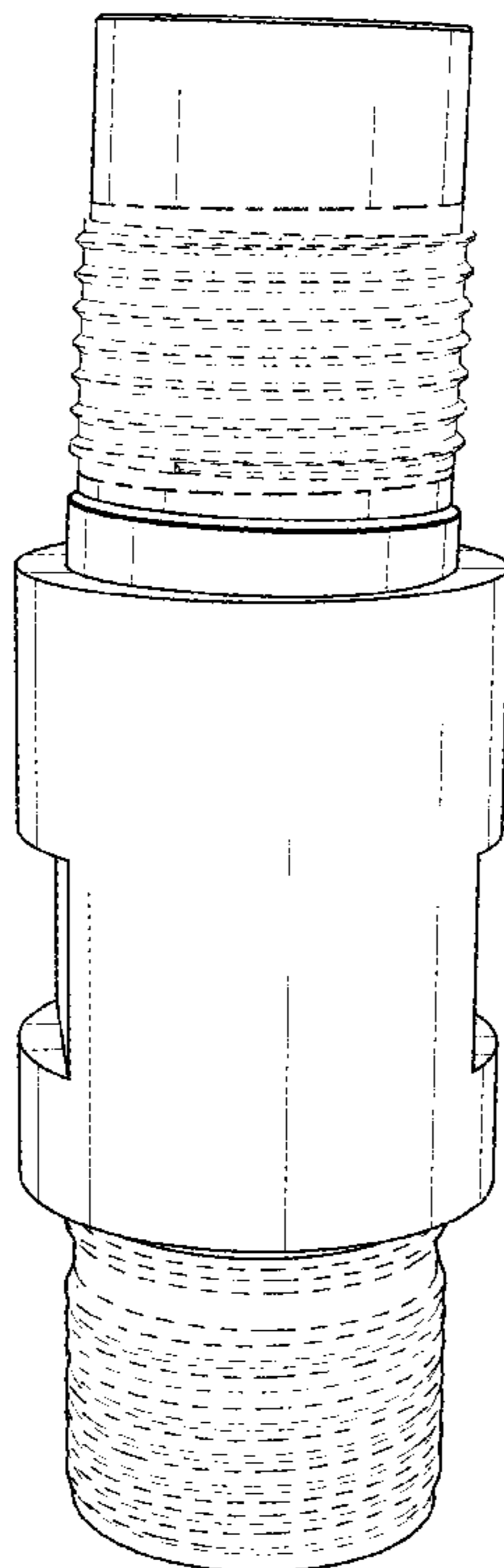
FIG. 6 is a top plan view thereof;

FIG. 7 is a bottom plan view thereof; and,

FIG. 8 is a front view thereof, in use condition.

The even-broken lines shown in the drawings illustrate unclaimed portions of the reverse bent coupling that forms no part of the claimed design. The long-dash short-dash line represents the bounds of the claimed design.

1 Claim, 8 Drawing Sheets



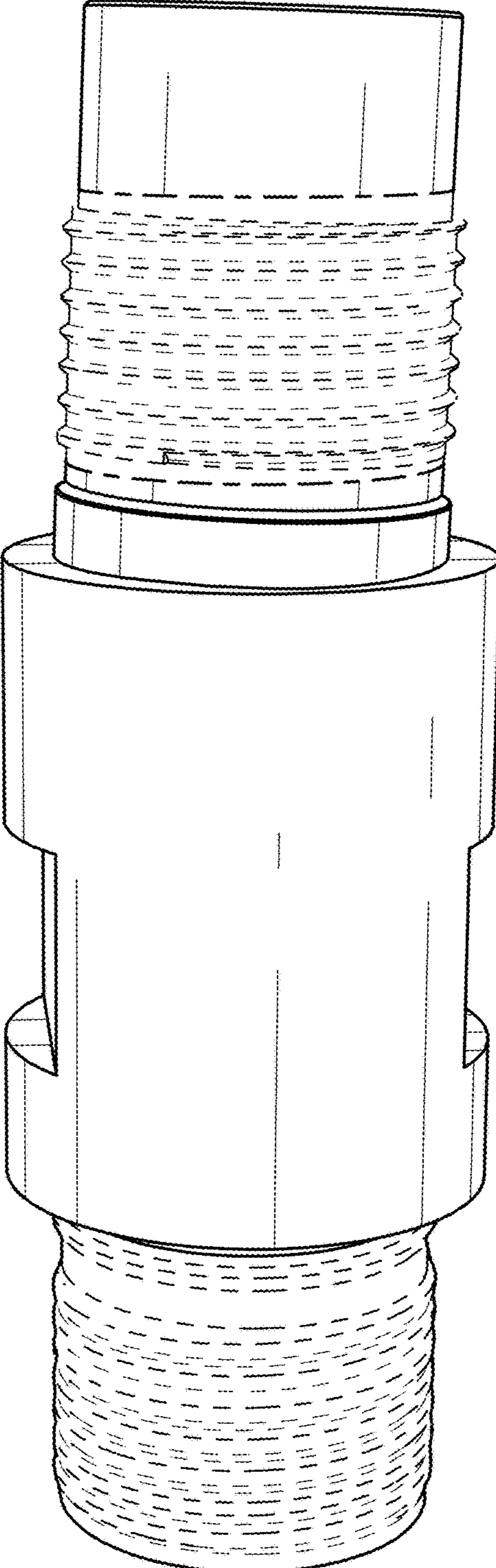


FIG. 1

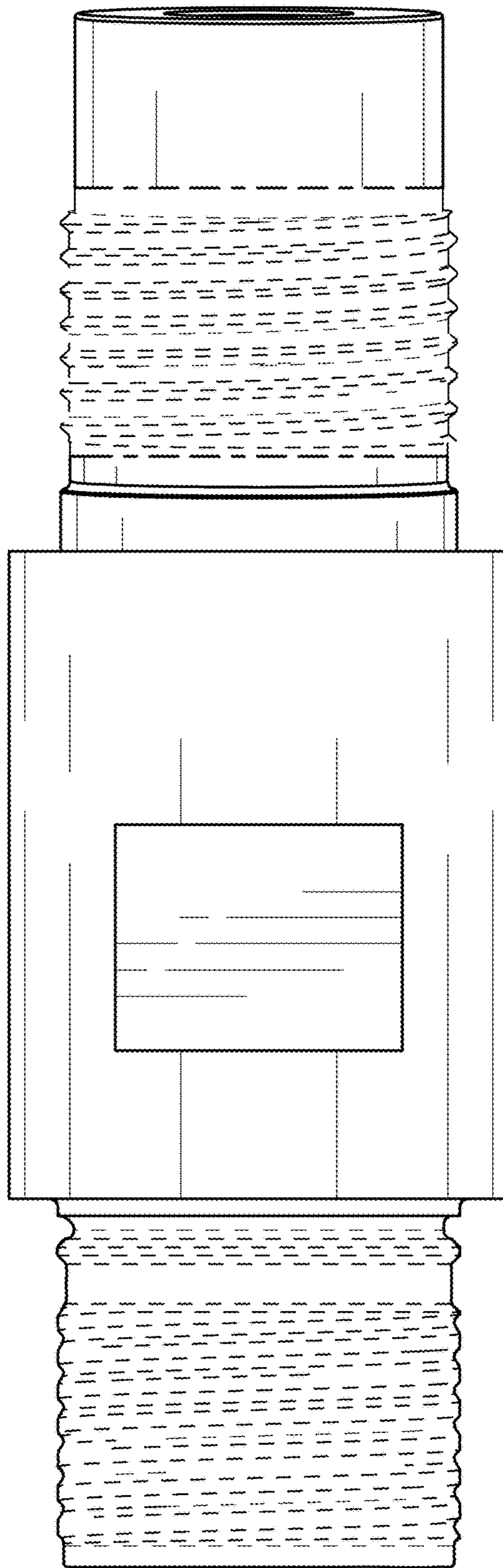


FIG. 2

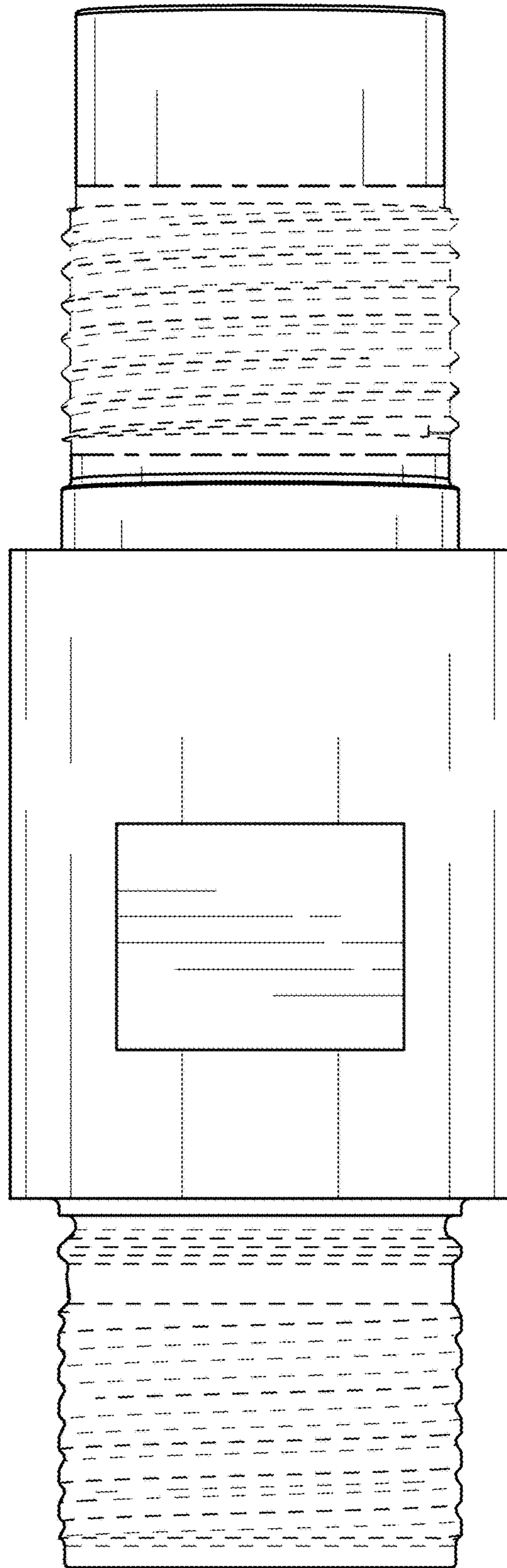


FIG. 3

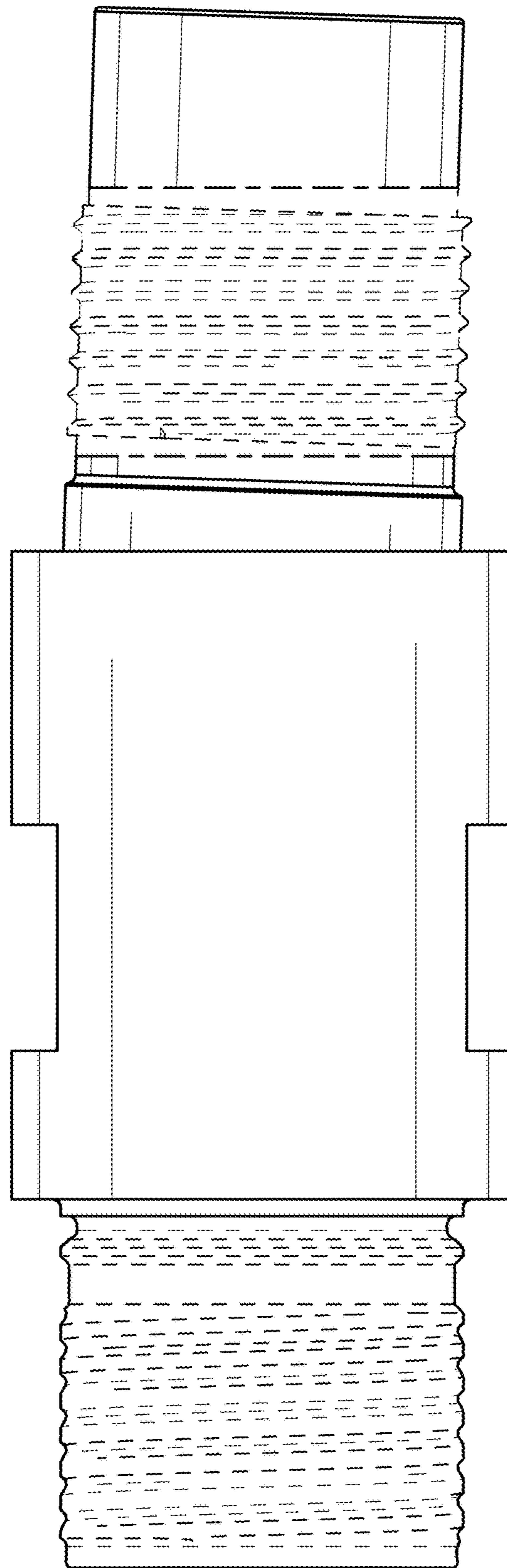


FIG. 4

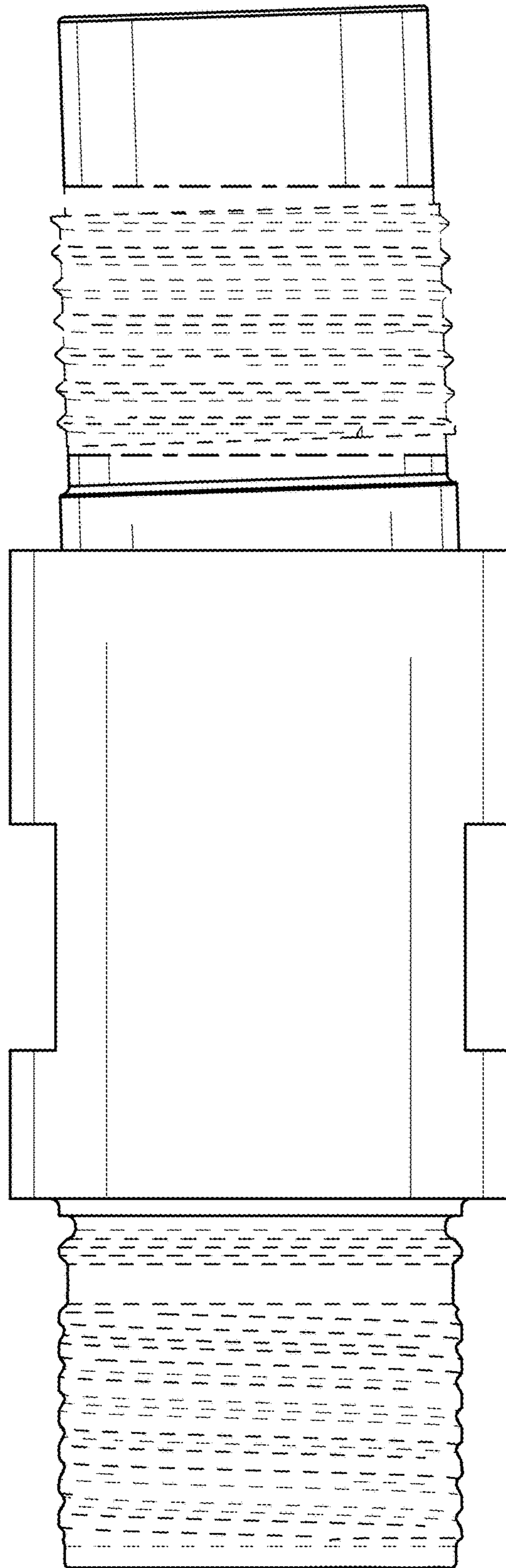


FIG. 5

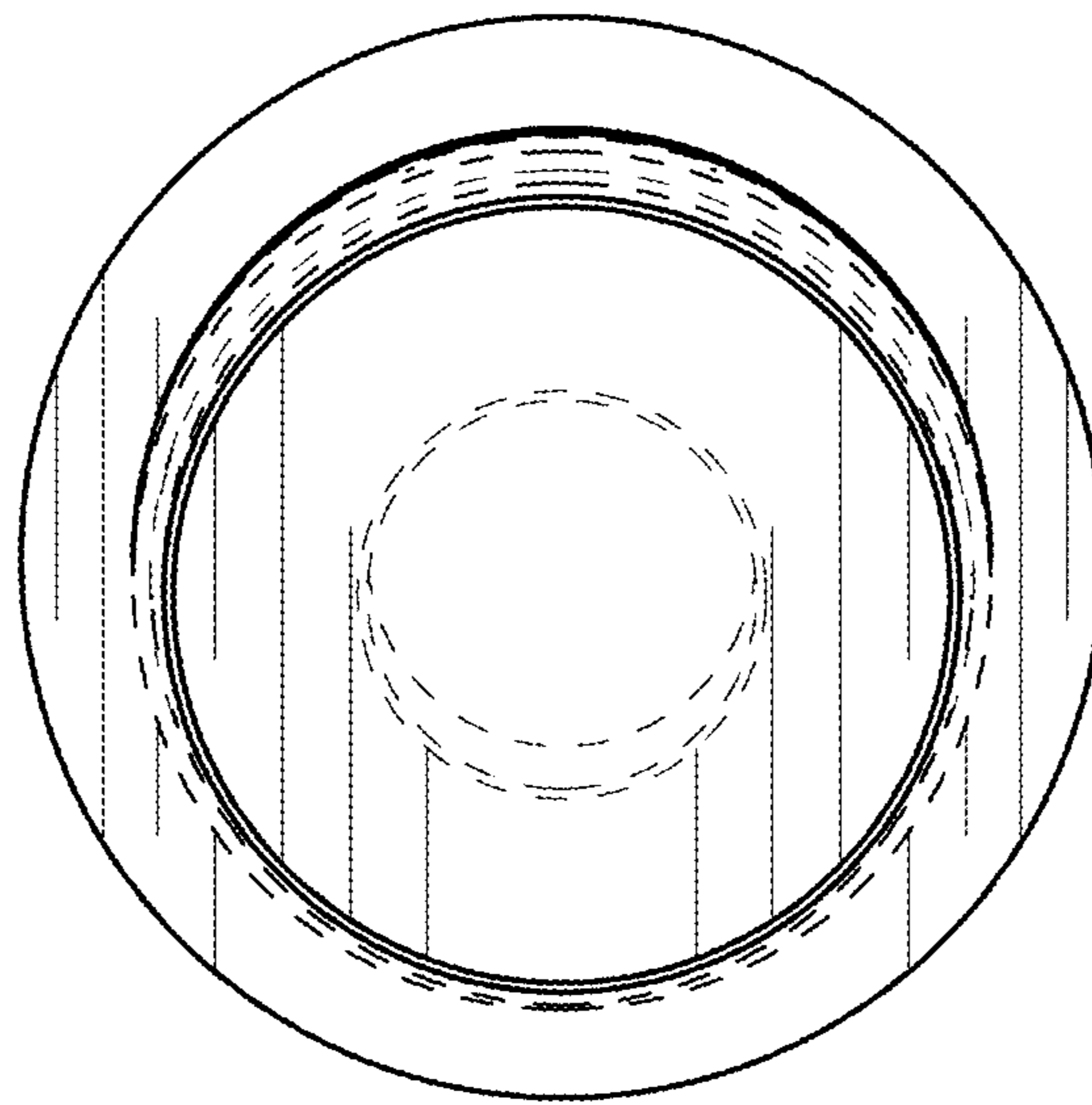


FIG. 6

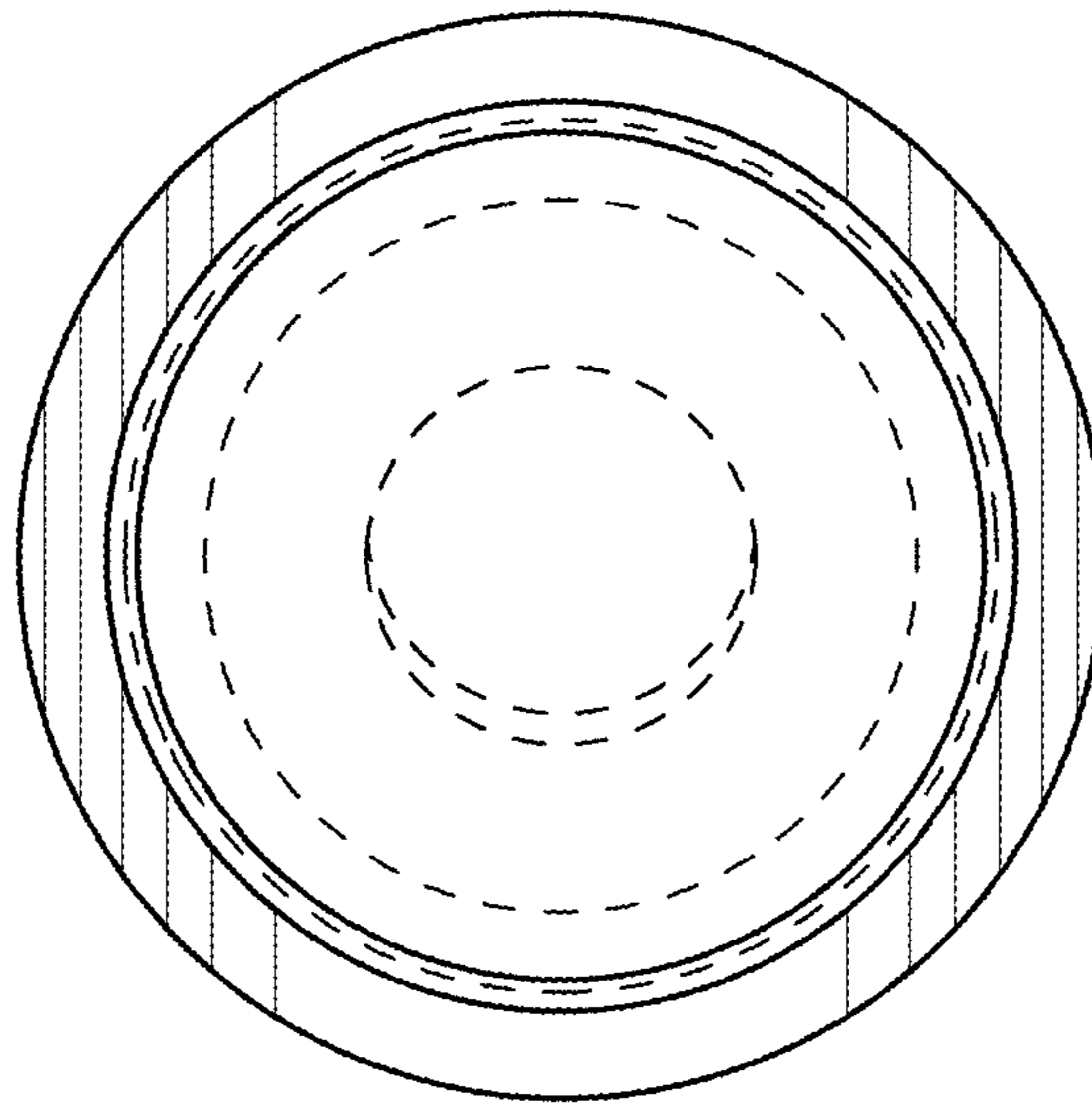


FIG. 7

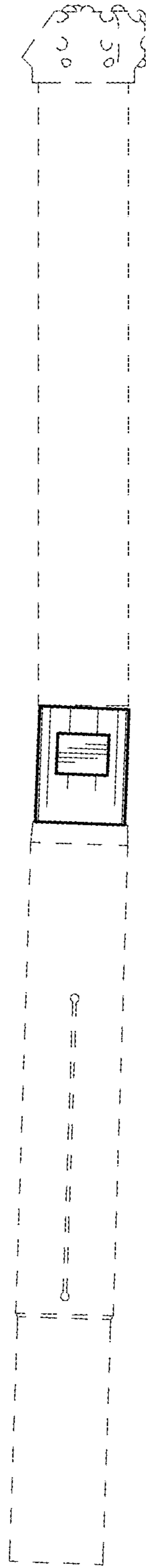


FIG. 8