



US00D847091S

(12) **United States Design Patent**  
**Bureacov et al.**

(10) **Patent No.:** **US D847,091 S**  
(45) **Date of Patent:** **\*\* Apr. 30, 2019**

(54) **HOUSING FOR CABLE TRANSITION ASSEMBLY**

(71) Applicant: **AFL IG LLC**, Kent, WA (US)

(72) Inventors: **Artur Bureacov**, Tacoma, WA (US);  
**Terry M. Kleeberger**, Tacoma, WA (US)

(73) Assignee: **AFL IG LLC**, Kent, WA (US)

(\*\*) Term: **15 Years**

(21) Appl. No.: **29/584,090**

(22) Filed: **Nov. 11, 2016**

(51) **LOC (11) Cl.** ..... **13-03**

(52) **U.S. Cl.**  
USPC ..... **D13/133**; D13/147

(58) **Field of Classification Search**  
USPC ..... D13/118, 123, 133, 146–151, 153–156,  
D13/173, 184, 199  
CPC . G02B 6/00; G02B 6/293; G02B 6/36; G02B  
6/38; G02B 6/44; G02B 6/4471; H01R  
9/00; H01R 9/05; H01R 13/00; H01R  
13/518; H01R 13/6215; H01R 13/627;  
H01R 43/00; H01R 43/26

See application file for complete search history.

(56) **References Cited**

U.S. PATENT DOCUMENTS

3,984,623	A *	10/1976	Worden	.....	H02G 15/04 174/138 F
D446,192	S *	8/2001	Wallace	.....	D13/178
6,857,900	B2	2/2005	Kleeberger et al.		
6,953,896	B2	10/2005	Kleeberger et al.		
7,166,805	B2	1/2007	Robinson et al.		
7,188,415	B2	3/2007	Robinson et al.		
D546,768	S *	7/2007	Sengupta	.....	D13/133
7,270,485	B1	9/2007	Robinson et al.		
D573,535	S *	7/2008	Victor	.....	D13/133
7,494,284	B2	2/2009	Robinson et al.		
D641,319	S *	7/2011	Yamamoto	.....	D13/133

8,172,465	B2	5/2012	Kleeberger		
D776,623	S *	1/2017	Jenkins	.....	D13/156
D795,816	S *	8/2017	He	.....	D13/153
D798,825	S *	10/2017	Hahn	.....	D13/153

(Continued)

OTHER PUBLICATIONS

Swage Cable Couplers, dated Aug. 13, 2017, [online], [site visited Aug. 14, 2018]. Available from Internet, <URL: <https://www.aflglobal.com/Products/Conductor-Accessories/Substation-Accessories/Swage-Cable-Accessories/Swage-Cable-Couplers/Swage-Cable-Couplers.aspx>> (Year: 2017).\*

*Primary Examiner* — Angela J Lee

*Assistant Examiner* — Shawn T Gingrich

(74) *Attorney, Agent, or Firm* — DWC Law Firm, P.S.;  
David Chen

(57) **CLAIM**

The ornamental design for a housing for cable transition assembly, as shown and described.

**DESCRIPTION**

FIG. 1 is a front perspective view of our new design for a housing for cable transition assembly.

FIG. 2 is a rear perspective view thereof, with the housing rotated ninety degrees about a longitudinal axis thereof from the position in FIG. 1.

FIG. 3 is a left side elevation view of the design in FIG. 1.

FIG. 4 is a right side elevation view thereof.

FIG. 5 is a top plan view thereof.

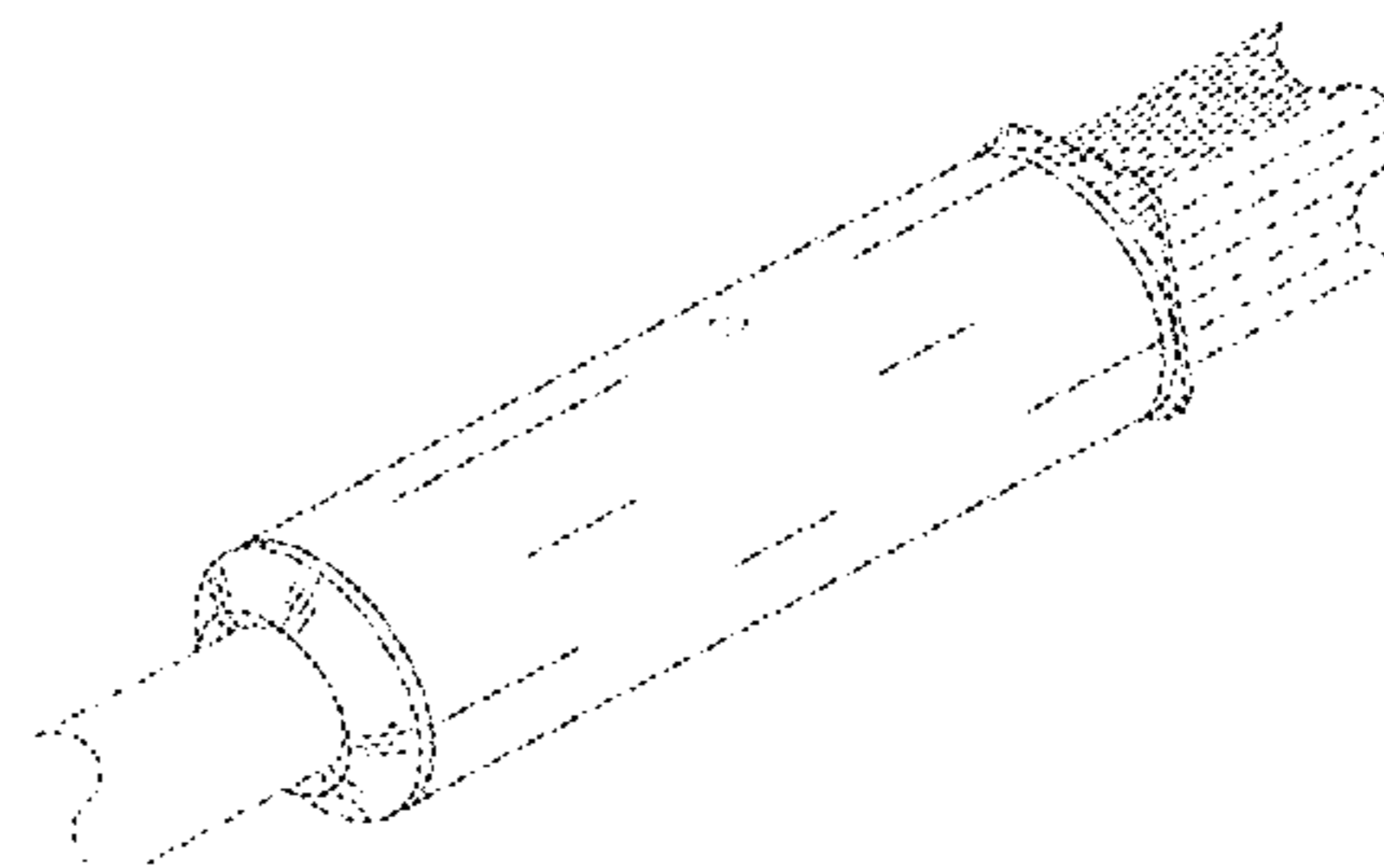
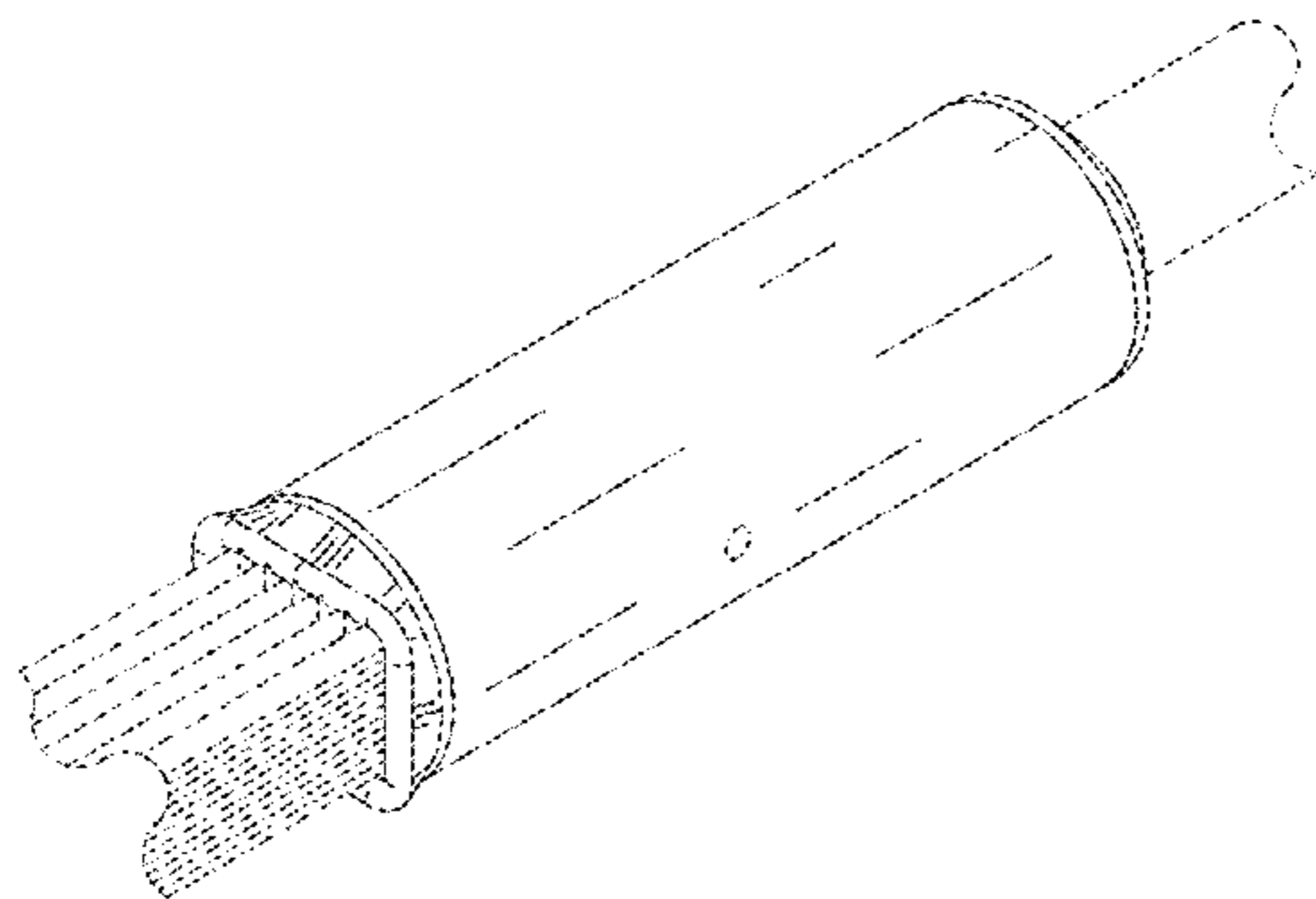
FIG. 6 is a bottom plan view thereof.

FIG. 7 is a front elevation view thereof; and,

FIG. 8 is a rear elevation view thereof.

The broken lines shown in the drawings illustrate portions of the housing for cable transition assembly and other environmental structure, such as, for example, a furcation tube jacket array and cable jacket, which form no part of the claimed design.

**1 Claim, 4 Drawing Sheets**



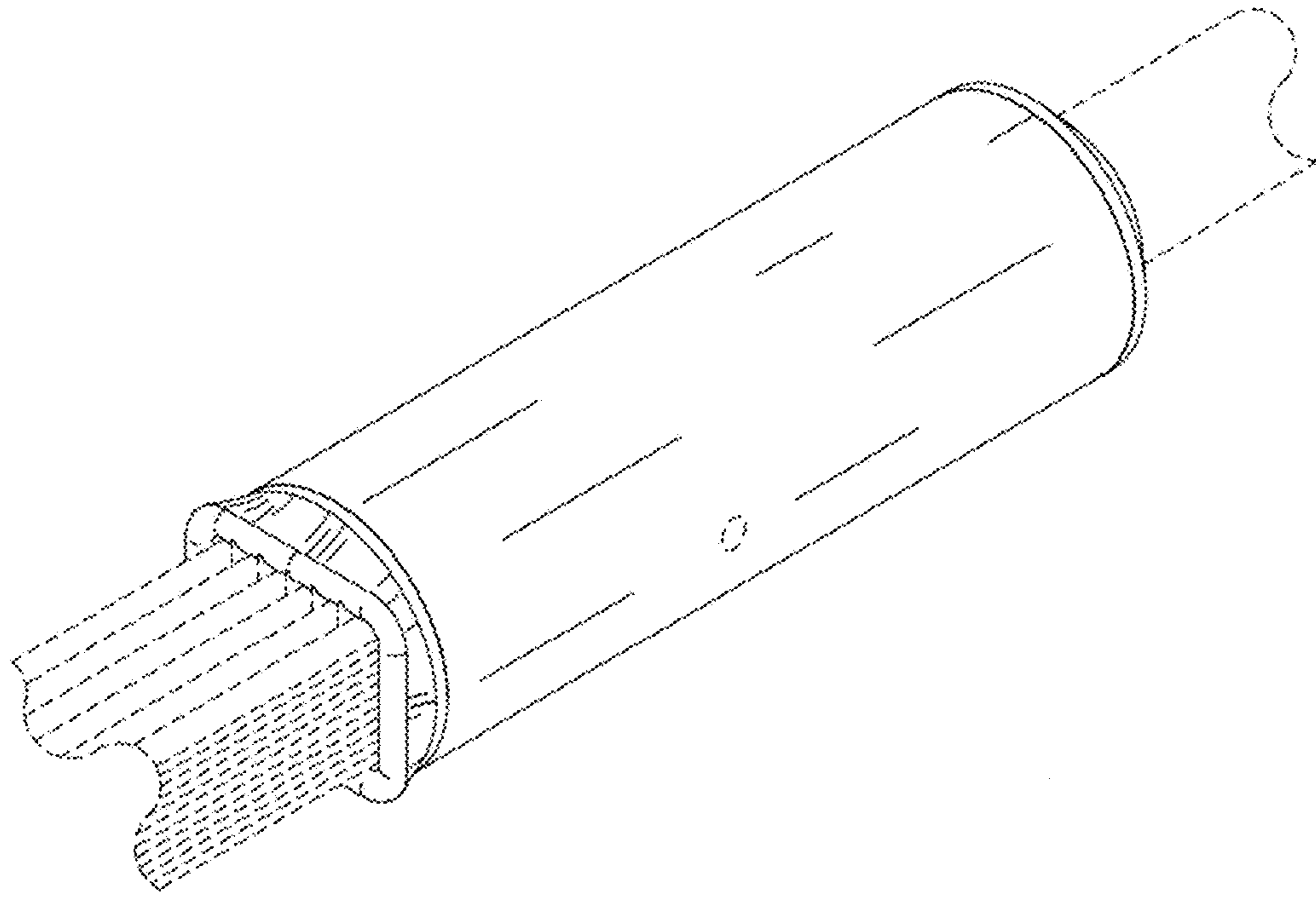
(56)

**References Cited**

U.S. PATENT DOCUMENTS

D801,928 S \* 11/2017 Yoshida ..... D13/122  
2002/0021876 A1\* 2/2002 Liberty ..... G02B 6/2937  
385/99  
2013/0059462 A1\* 3/2013 Conroy ..... H01R 13/506  
439/389  
2017/0117644 A1\* 4/2017 Peltier ..... H01R 4/36  
2017/0336568 A1\* 11/2017 Kleeberger ..... G02B 6/4471

\* cited by examiner



*FIG. 1*

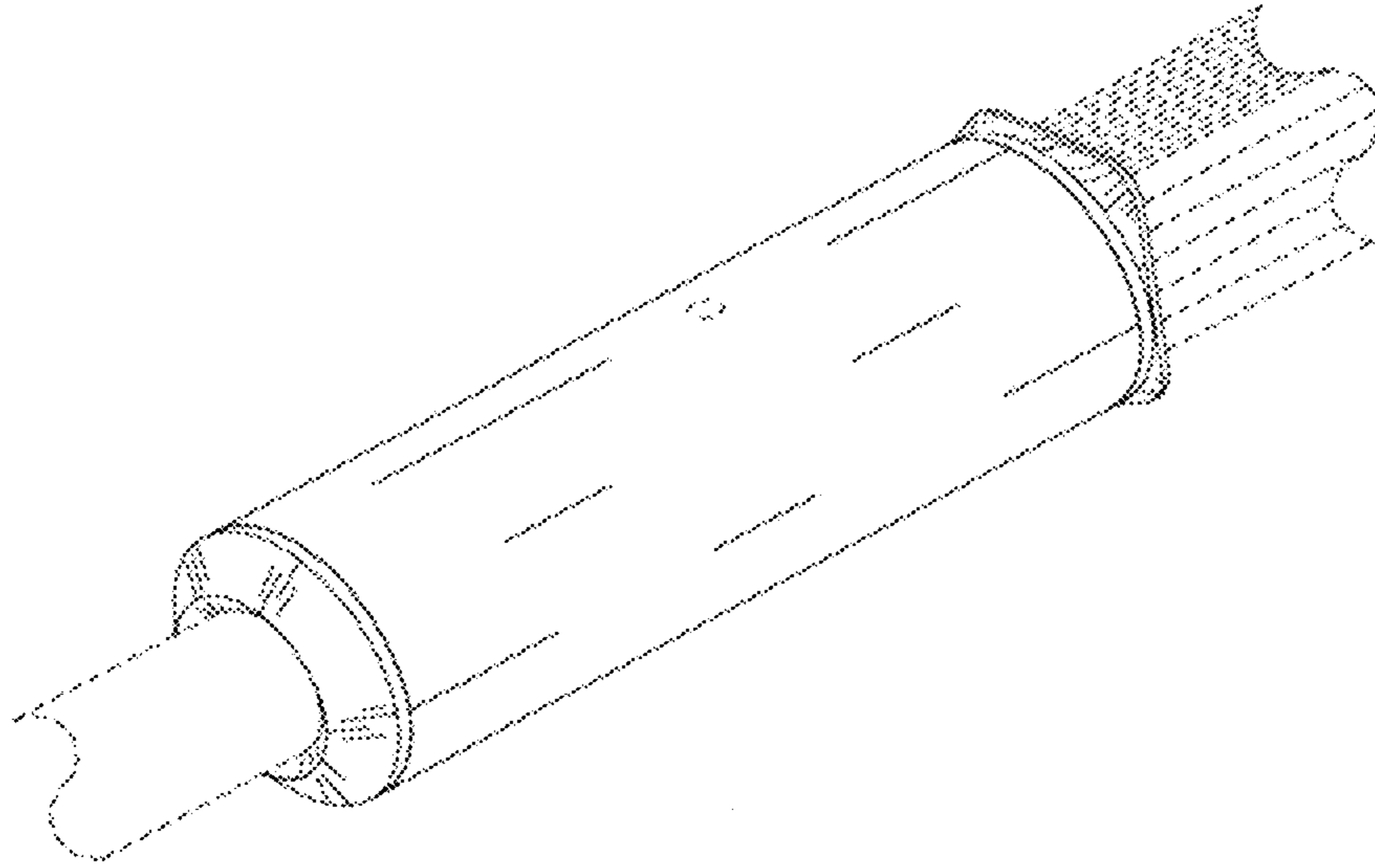


FIG. 2

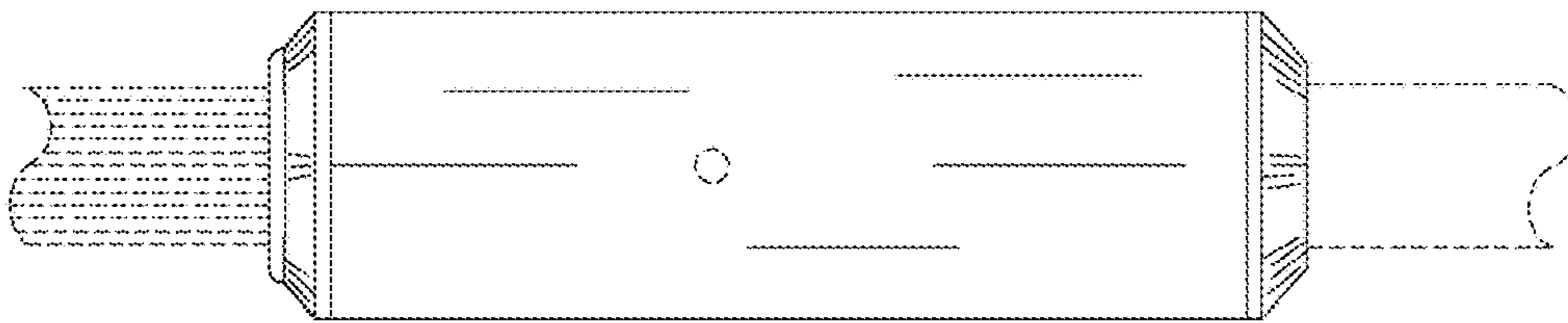


FIG. 3

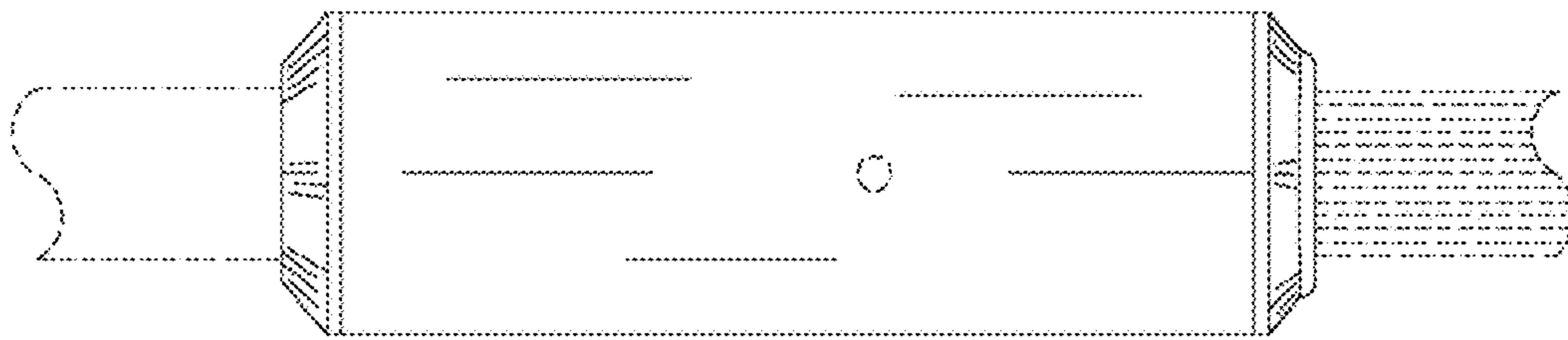


FIG. 4

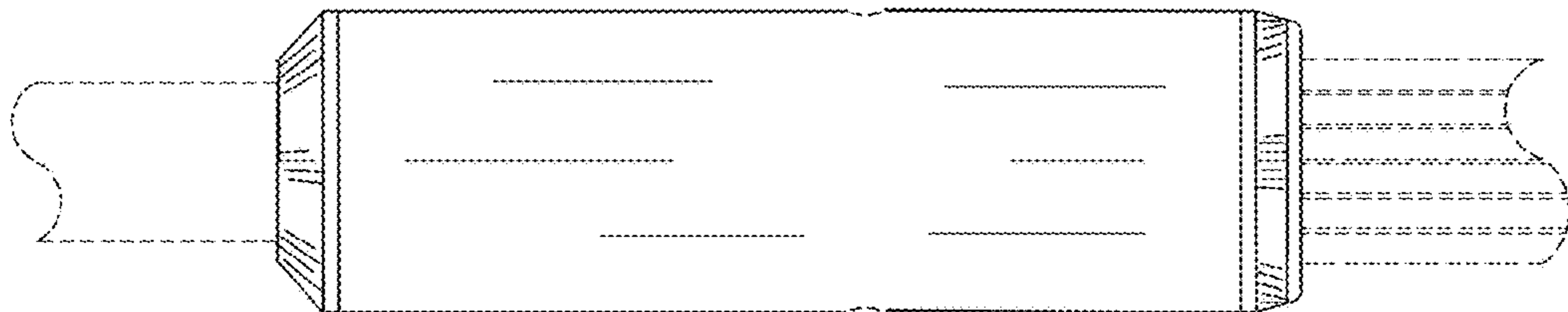


FIG. 5

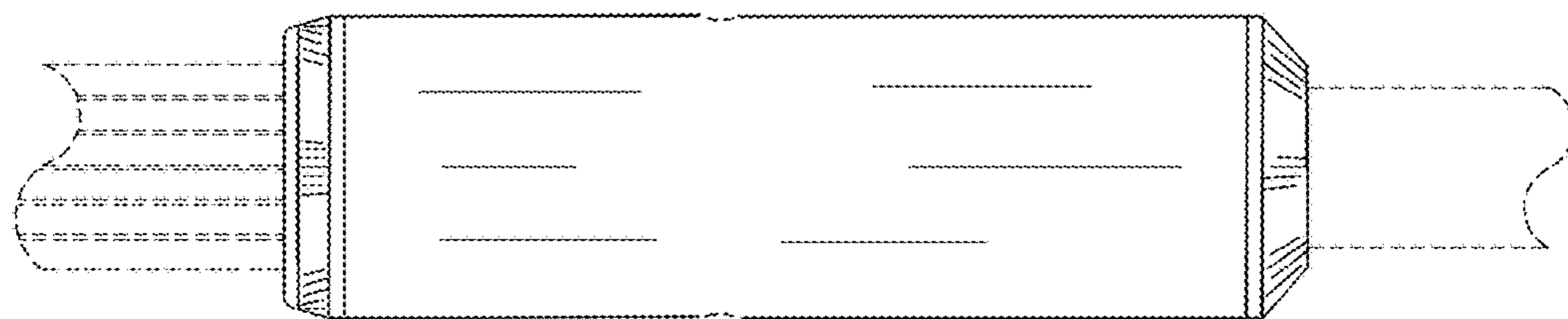
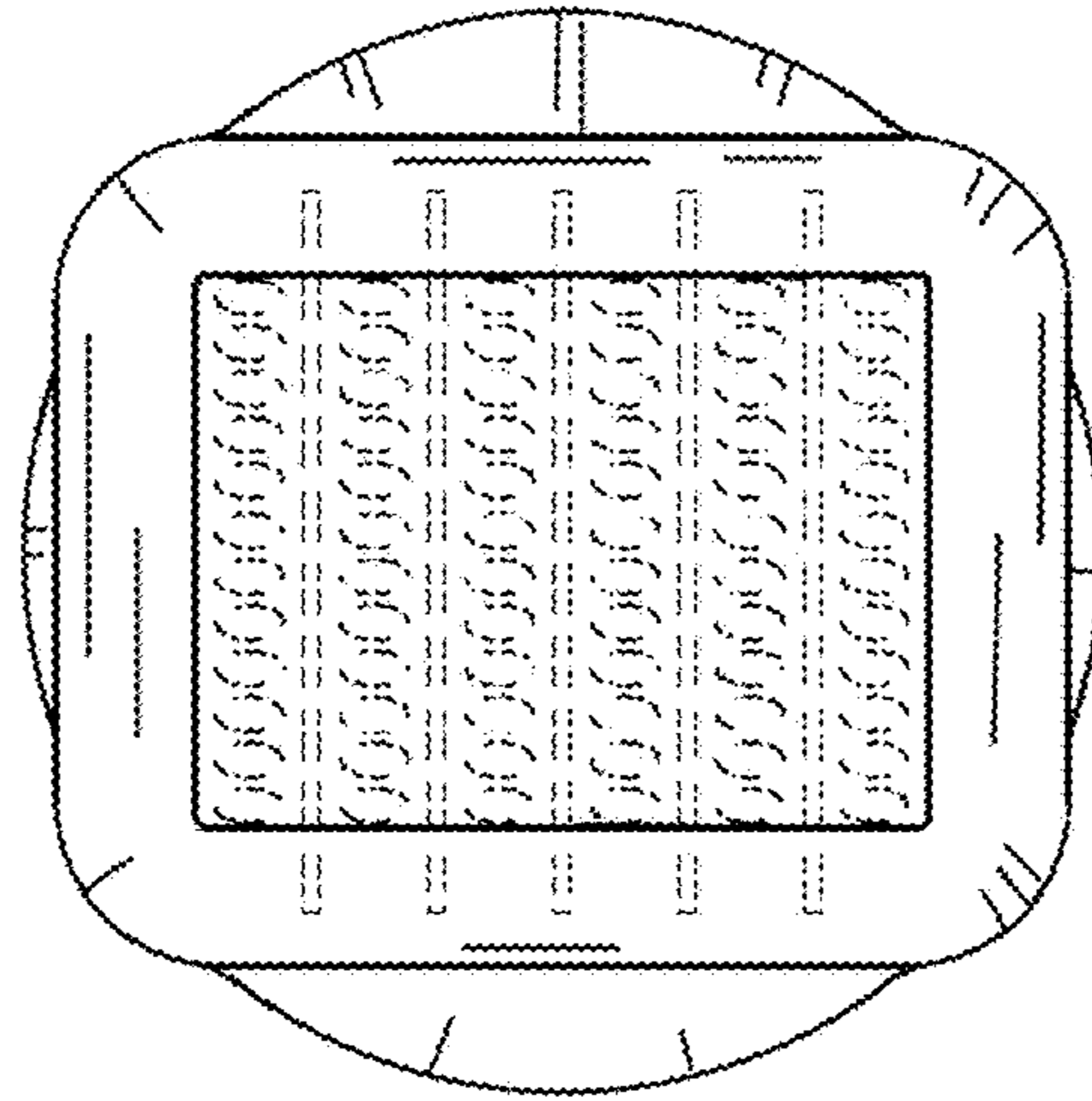
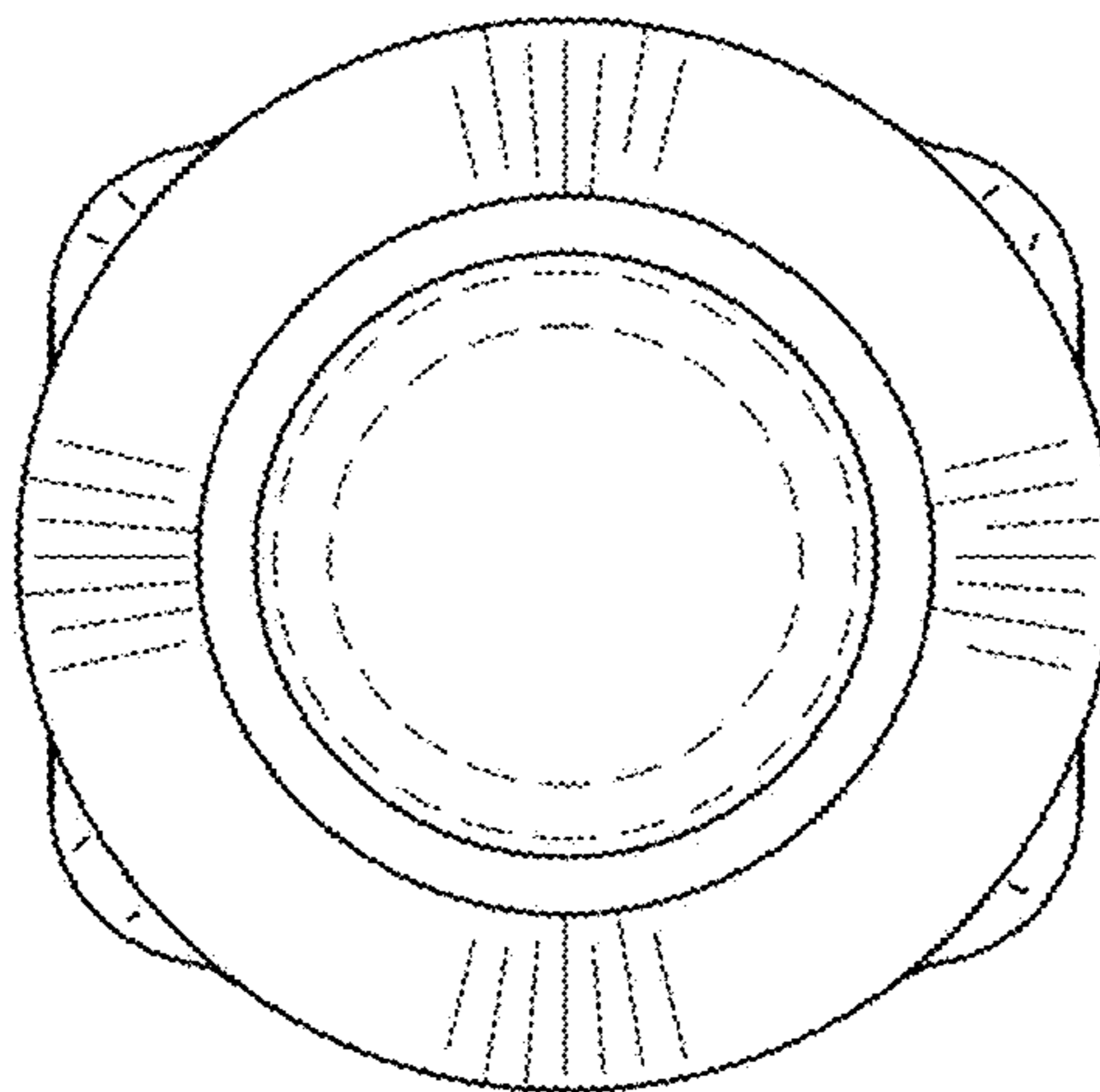


FIG. 6



*FIG. 7*



*FIG. 8*