



US00D847087S

(12) **United States Design Patent**
Sullivan

(10) **Patent No.:** **US D847,087 S**

(45) **Date of Patent:** **** Apr. 30, 2019**

(54) **TIRE TREAD**

- (71) Applicant: **Compagnie Generale des Etablissements Michelin**, Clermont-Ferrand (FR)
- (72) Inventor: **Corey Sullivan**, Greenville, SC (US)
- (73) Assignee: **Compagnie Generale des Etablissements Michelin**, Clermont-Ferrand (FR)
- (**) Term: **15 Years**

- (21) Appl. No.: **29/642,292**
- (22) Filed: **Mar. 28, 2018**
- (51) **LOC (11) Cl.** **12-15**
- (52) **U.S. Cl.**
USPC **D12/587**
- (58) **Field of Classification Search**
USPC D12/568, 574-604
CPC Y10T 152/10027; B60C 1/0016; B60C 11/0306; B60C 11/0302; B60C 3/06; B60C 9/17
See application file for complete search history.

(56) **References Cited**

U.S. PATENT DOCUMENTS

D316,692 S *	5/1991	Fukumoto	D12/594
D354,027 S *	1/1995	Grosskopf	D12/596
D383,713 S *	9/1997	Grosskopf	D12/595
D409,122 S *	5/1999	Kemp, Jr.	D12/602
D527,338 S *	8/2006	Suzuki	D12/600
D592,589 S *	5/2009	Dixon	D12/600
D637,147 S *	5/2011	Buchinger-Barnstorf	...	D12/543
D644,598 S *	9/2011	Yokomakura	D12/586
D715,217 S *	10/2014	Dixon	D12/600
D732,465 S *	6/2015	Yamada	D12/588

(Continued)

OTHER PUBLICATIONS

BFGOODRICH, ST244, web site URL <https://www.bfgoodrichtrucktires.com/tires/selector/#/info/st244>, 2 pages, copyright 2018 Michelin North America, Inc., Greenville, South Carolina, USA, retrieved Mar. 12, 2018.

Primary Examiner — Brandon M Rosati

Assistant Examiner — John A Voytek

(74) *Attorney, Agent, or Firm* — Neal P. Pierotti

(57) **CLAIM**

The ornamental design for a tire tread, as shown and described.

DESCRIPTION

FIG. 1 is a perspective view of a tire tread showing our new design, it being understood that the tread is repeated and extends 360 degrees about the tire which is shown in dashed lines for environmental purposes.

FIG. 2 is a front view of the embodiment of FIG. 1, with the opposite back view being a mirror image thereto.

FIG. 3 is a left side view of the embodiment of FIG. 1, with the opposite right side view being a mirror image thereto.

FIG. 4 is a cross-sectional view taken along line 4-4 of FIG. 2.

FIG. 5 is a perspective view of a tire in accordance with another embodiment, it being understood that the tread of the tire is repeated and extends 360 degrees about the tire.

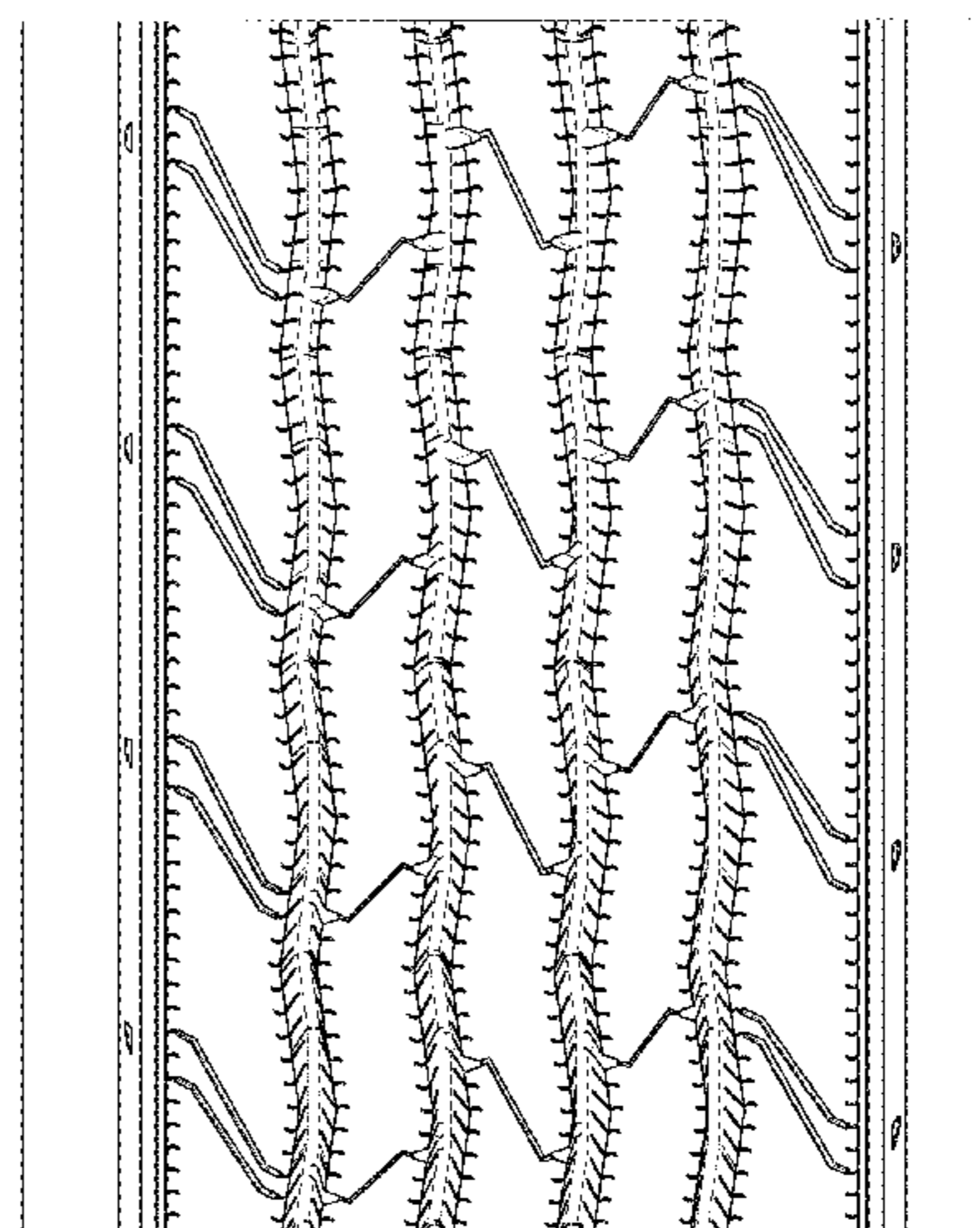
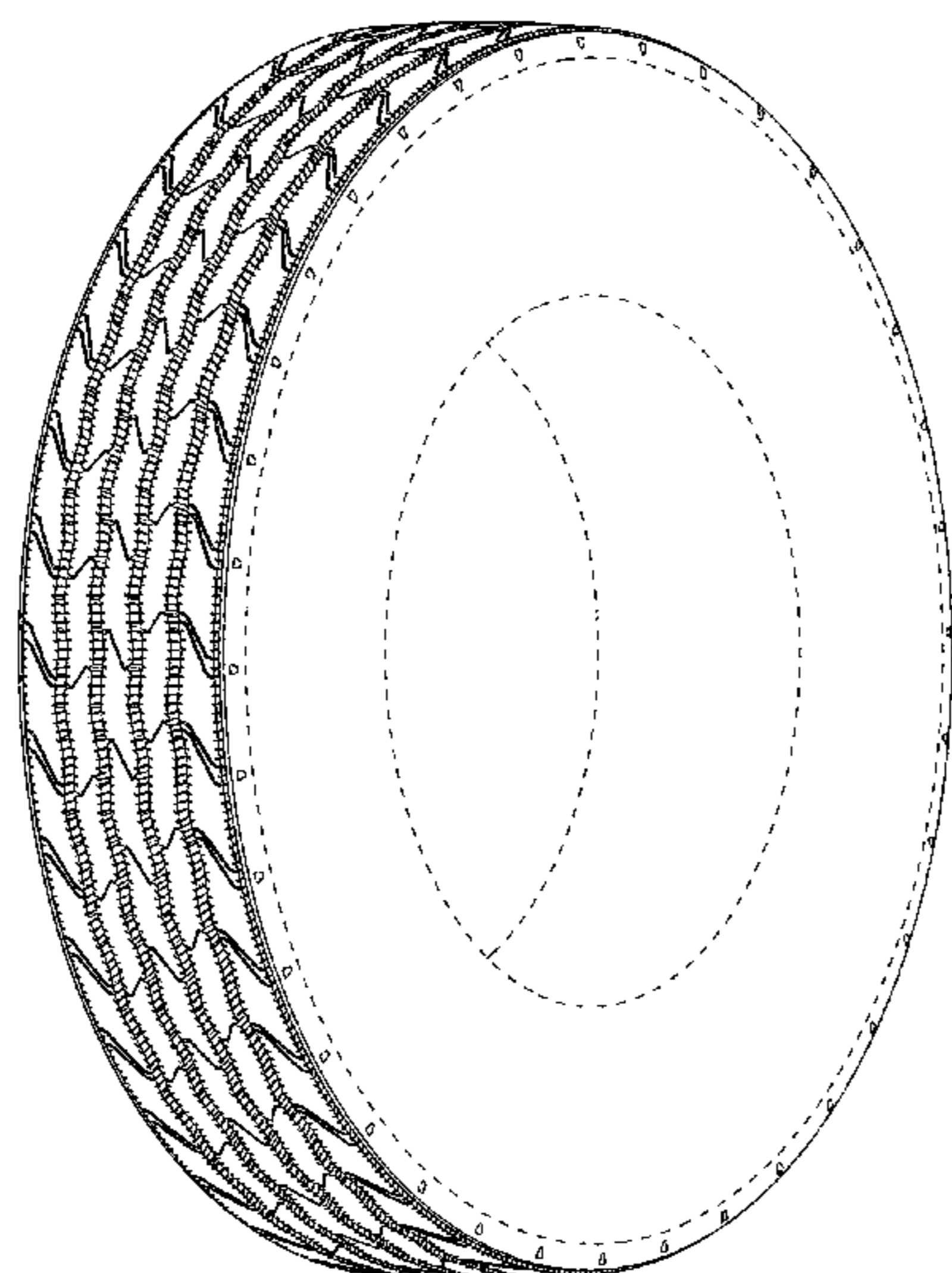
FIG. 6 is a front view of the embodiment of FIG. 5, with the opposite back view being a mirror image thereto.

FIG. 7 is a left side view of the embodiment of FIG. 5, with the opposite right side view being a mirror image thereto.

FIG. 8 is a cross-sectional view taken along line 8-8 of FIG. 6; and,

FIG. 9 is a close-up top view of the tread showing additional features of the design of the embodiments of FIGS. 1 and 5. The broken-lines on the surfaces of the drawings show portions of the article that form no part of the claim.

1 Claim, 9 Drawing Sheets



(56)

References Cited

U.S. PATENT DOCUMENTS

D765,586 S * 9/2016 Garrett D12/602
D788,689 S * 6/2017 Fu D12/588
D829,642 S * 10/2018 Farinelle D12/595

* cited by examiner

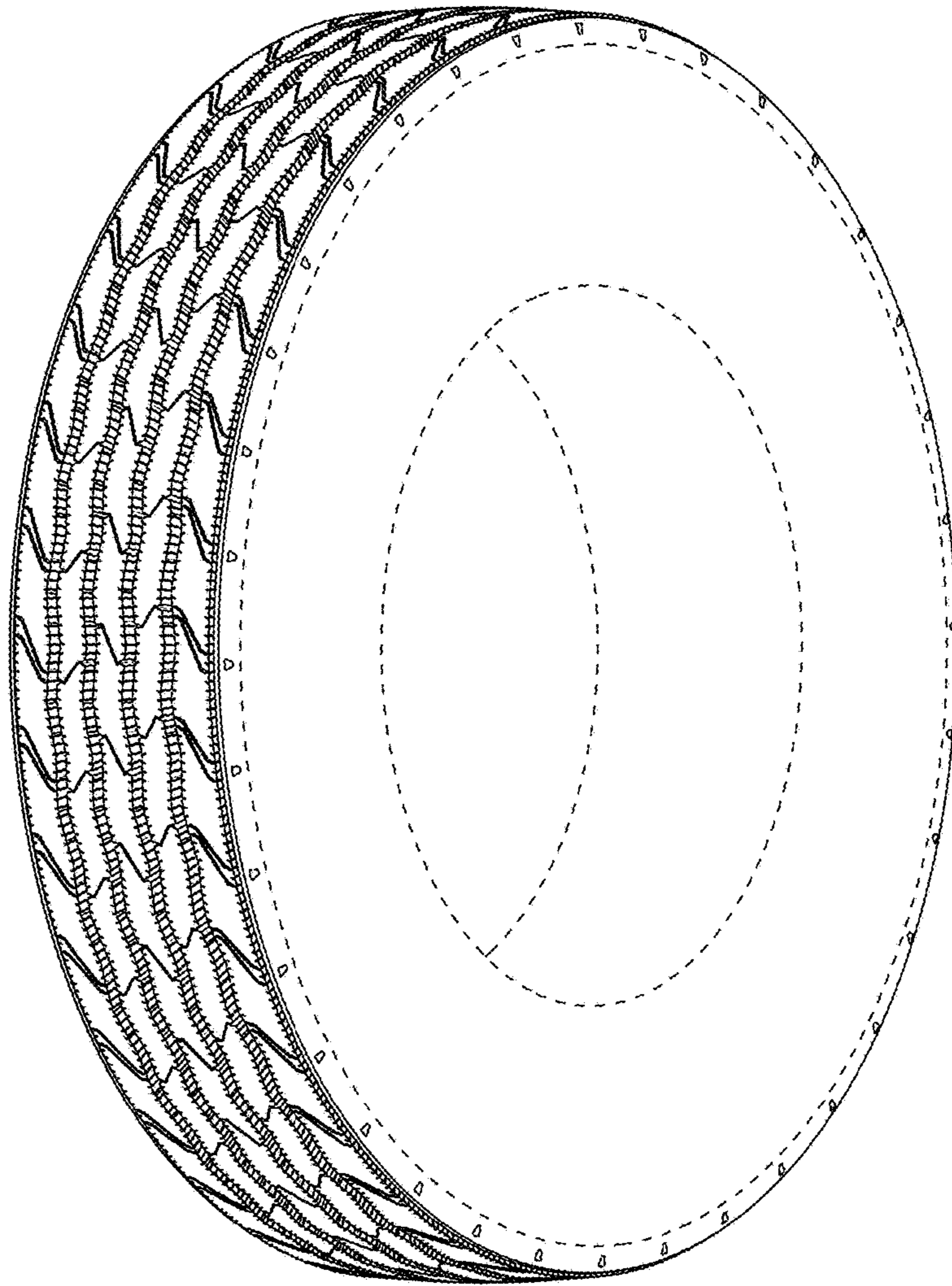


Fig. 1

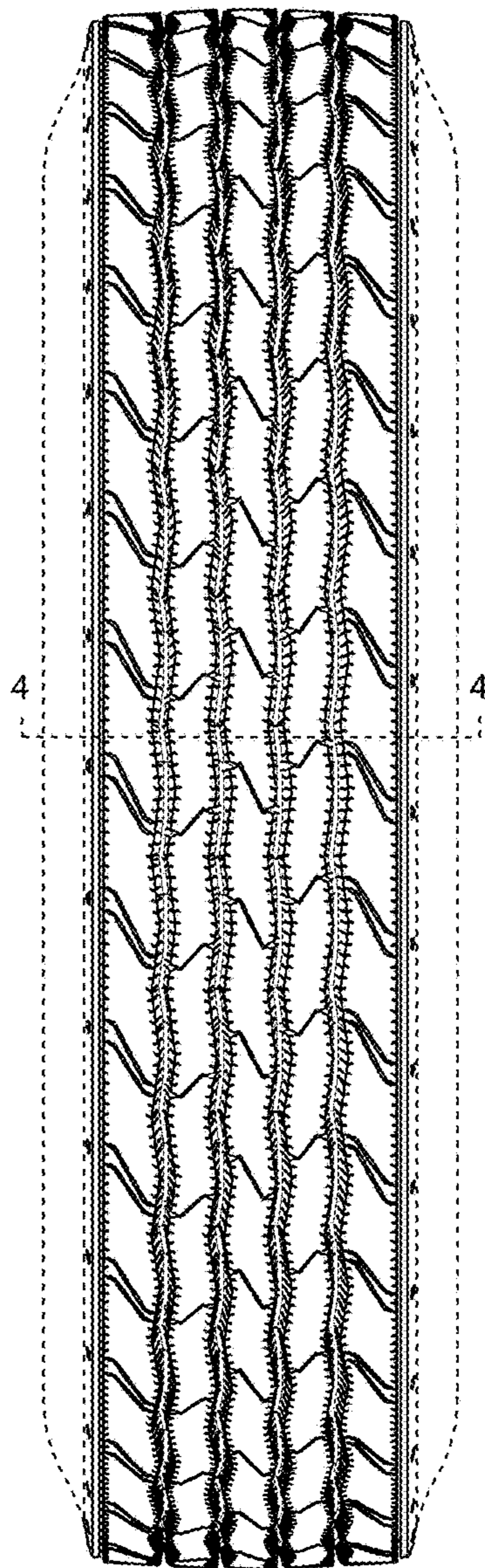


Fig. 2

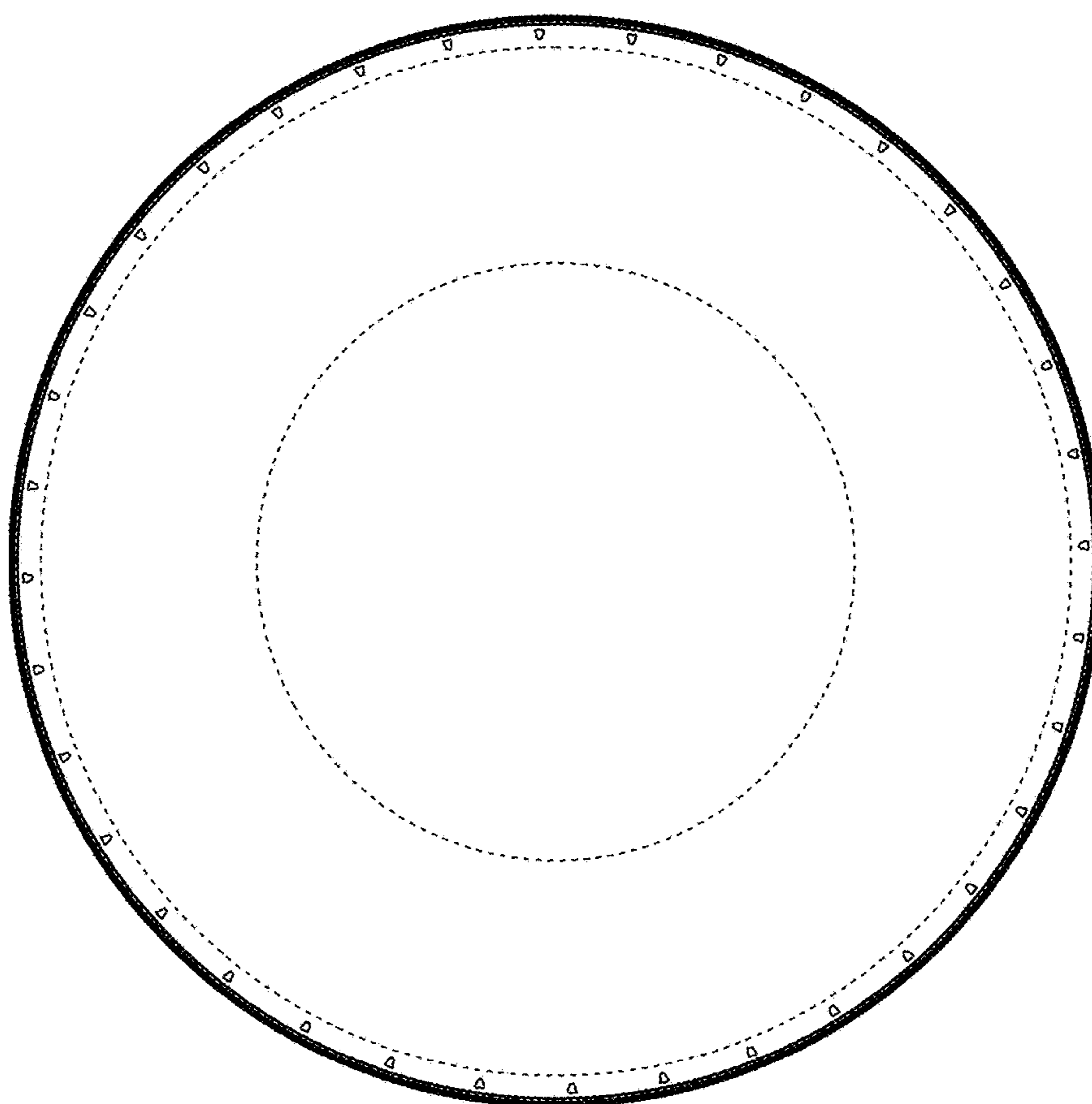


Fig. 3

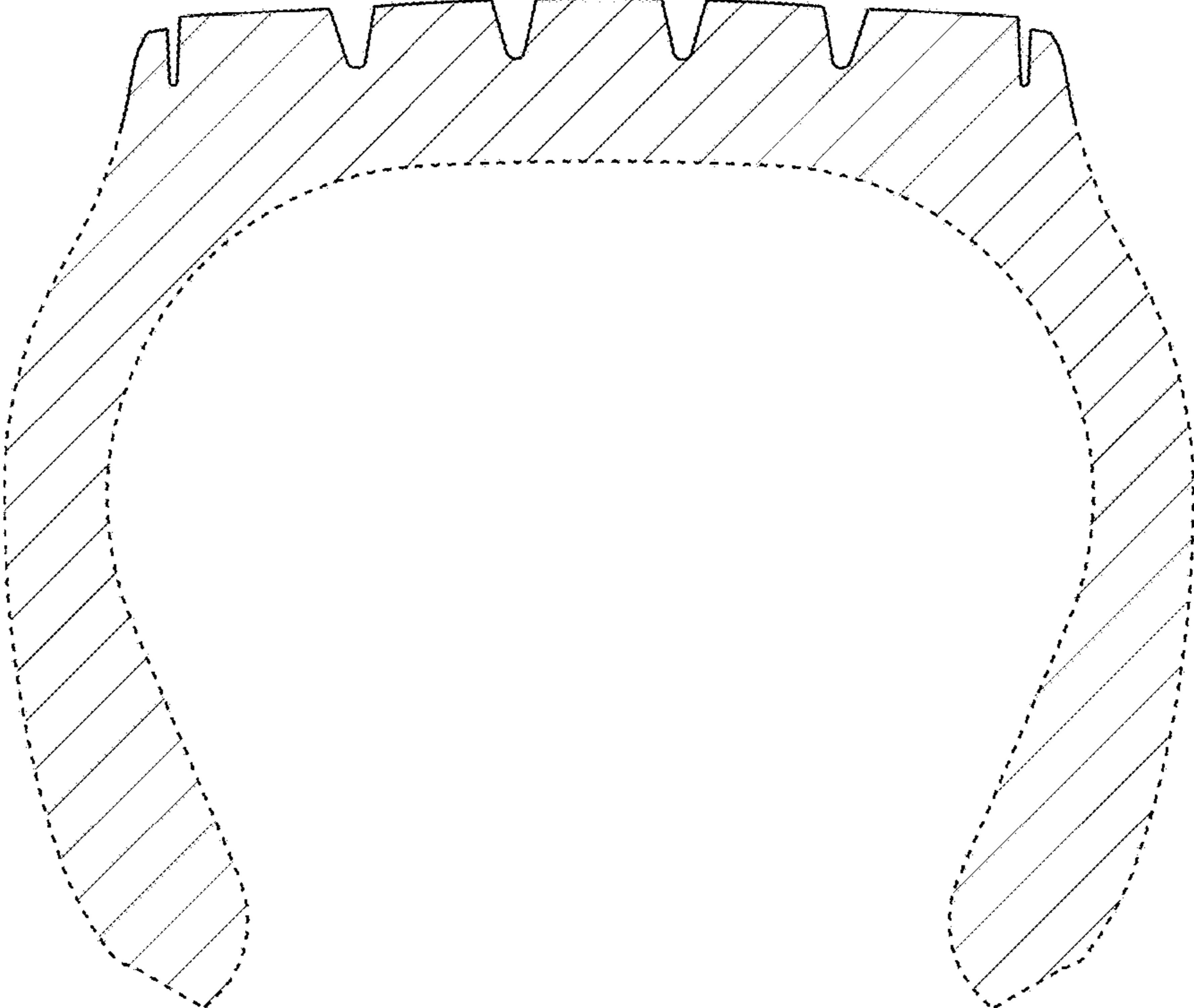


Fig. 4

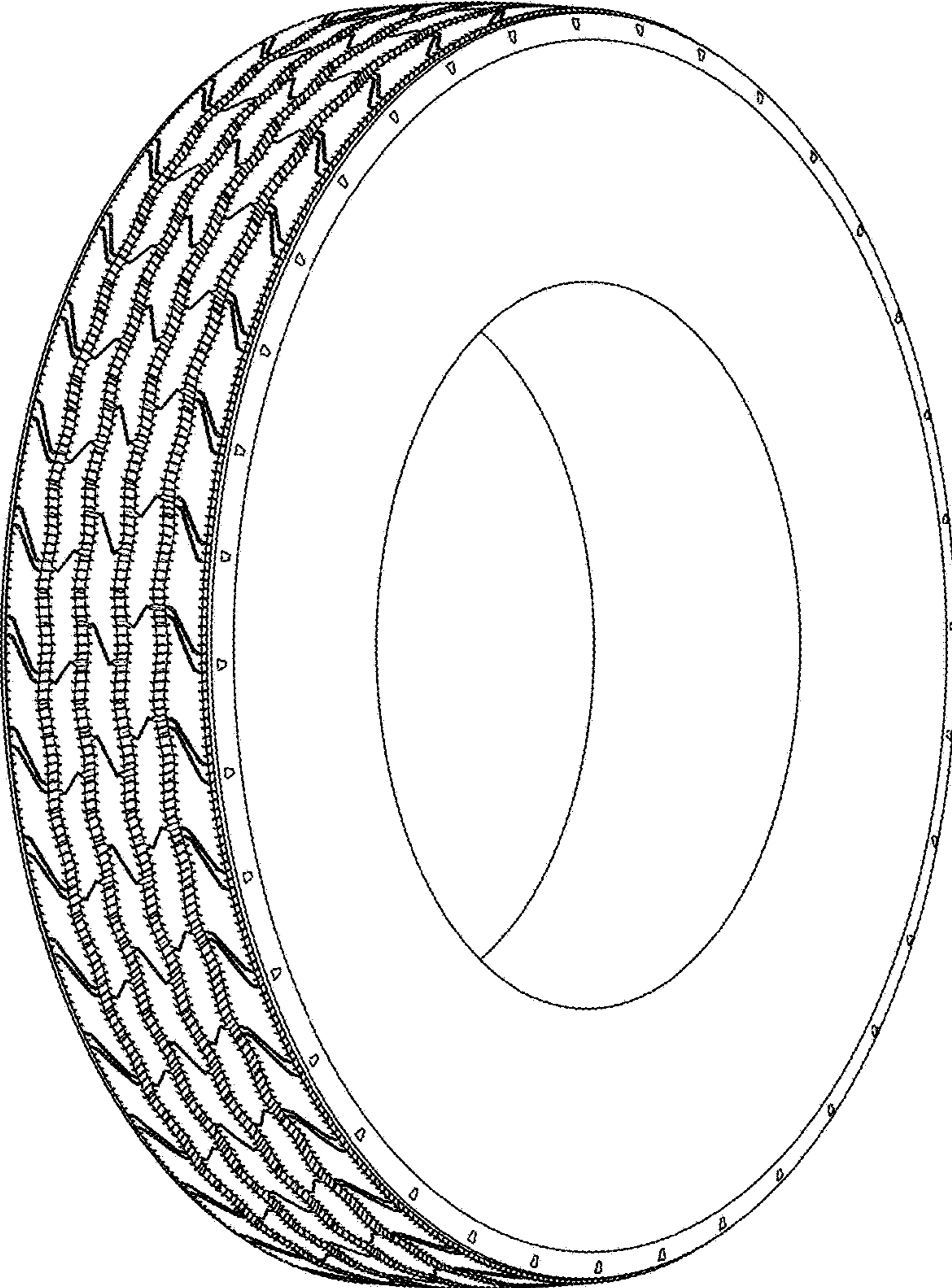


Fig. 5

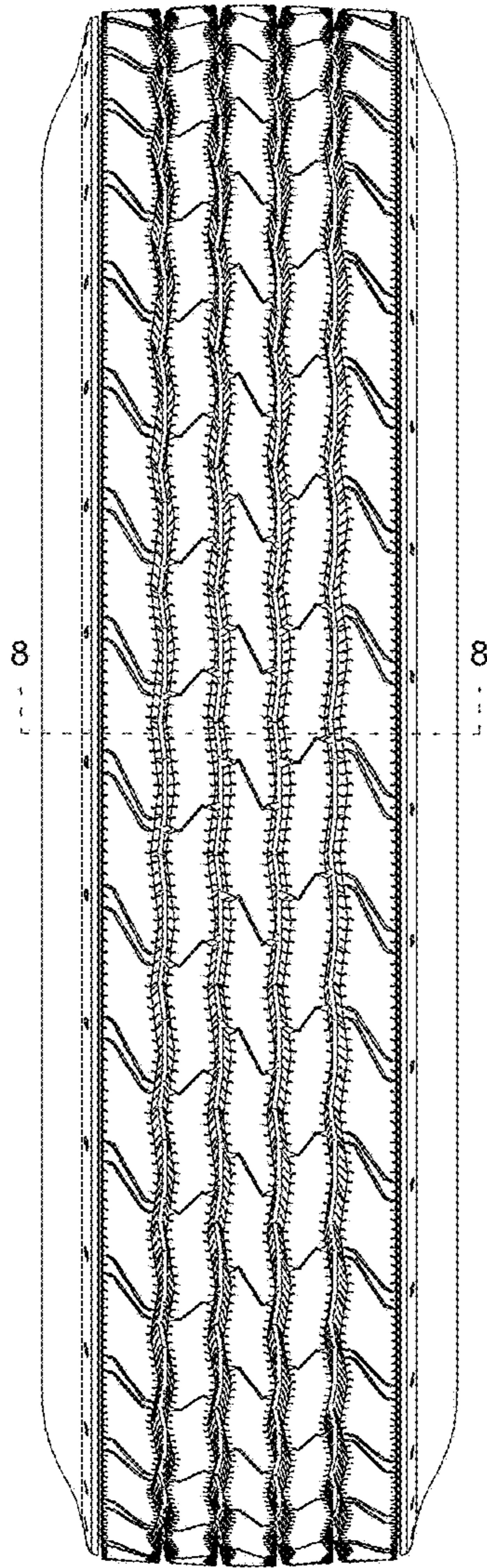


Fig. 6

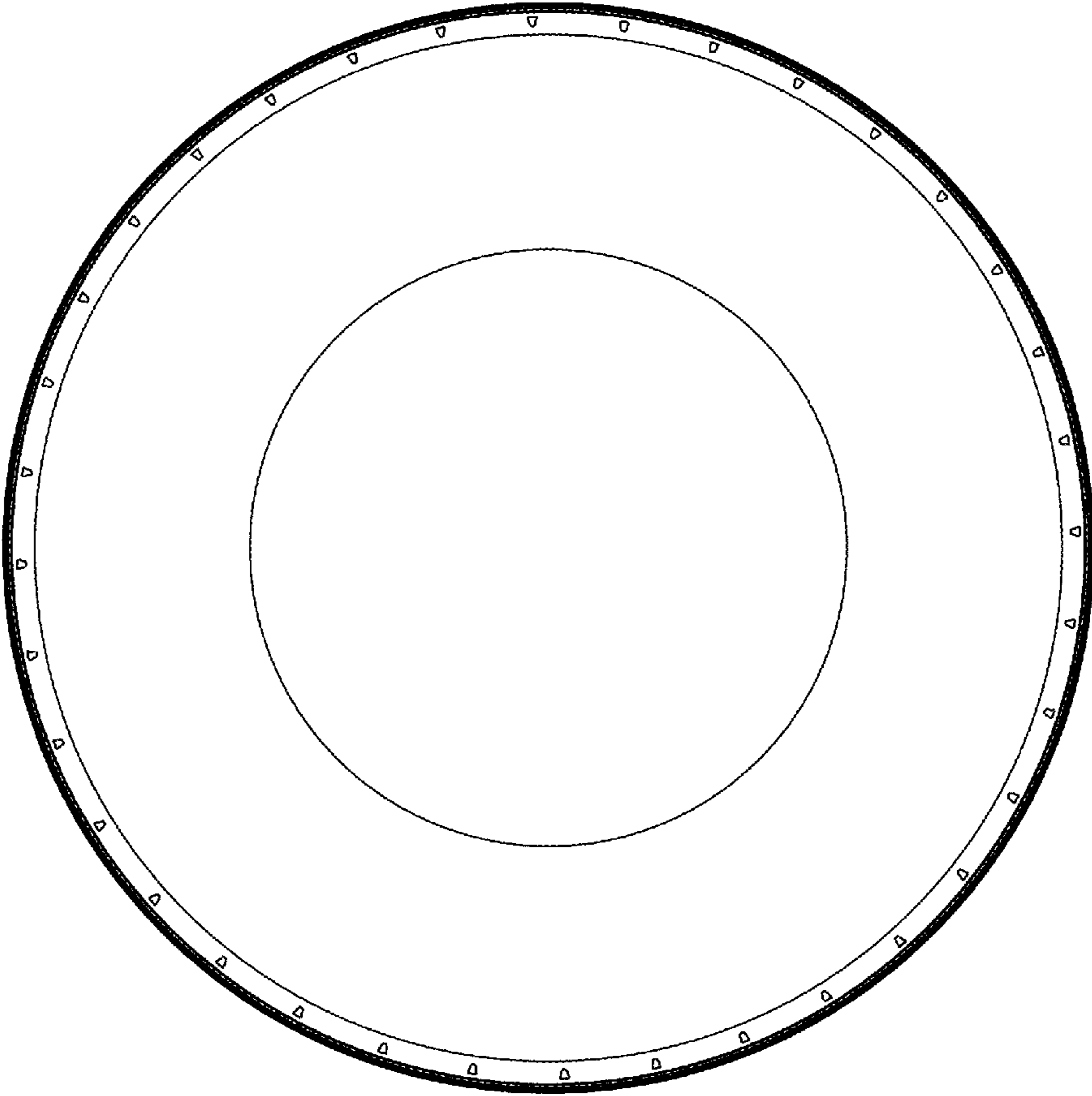


Fig. 7

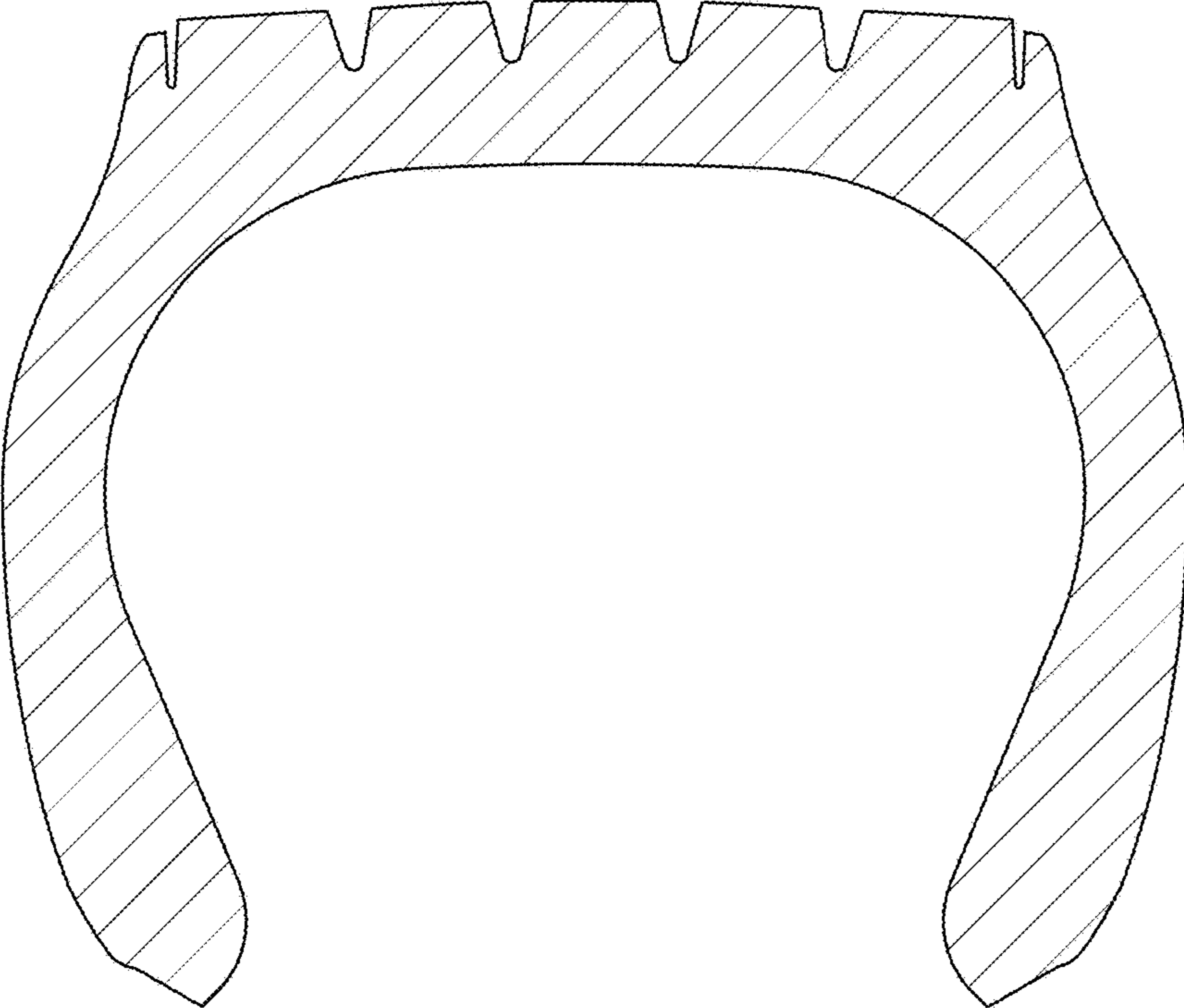


Fig. 8

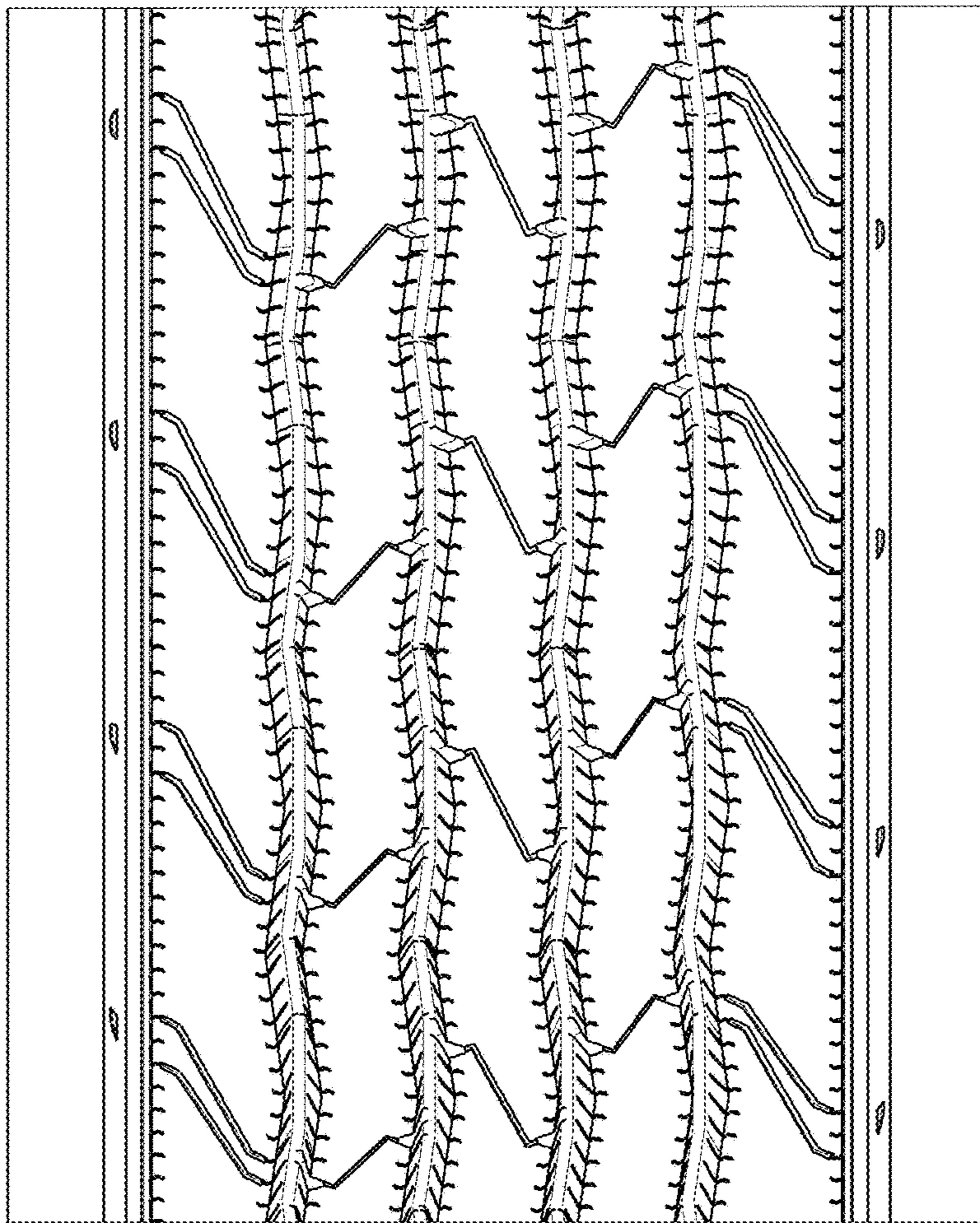


Fig. 9