



US00D847081S

(12) **United States Design Patent**  
**Jameson**

(10) **Patent No.:** **US D847,081 S**

(45) **Date of Patent:** **\*\* Apr. 30, 2019**

(54) **TOP FOR MID SIZE UTV**

(71) Applicant: **Thomas Ross Jameson**, Benton, KY  
(US)

(72) Inventor: **Thomas Ross Jameson**, Benton, KY  
(US)

(\*\*) Term: **15 Years**

(21) Appl. No.: **29/568,515**

(22) Filed: **Jun. 20, 2016**

(51) **LOC (11) Cl.** ..... **12-16**

(52) **U.S. Cl.**  
USPC ..... **D12/403**

(58) **Field of Classification Search**  
USPC ..... D12/401-405; D6/610, 611, 596,  
D6/601-603, 615, 617, 621; D7/332,  
D7/334-337  
CPC .. E04H 15/06; B62J 19/00; B62J 11/18; B62J  
11/26; B62J 11/24; B62J 11/22  
See application file for complete search history.

(56) **References Cited**

**U.S. PATENT DOCUMENTS**

D340,689 S	*	10/1993	Wolcott	.....	D12/404
D638,343 S	*	5/2011	Kramer	.....	D12/403
D693,288 S	*	11/2013	Martinez	.....	D12/401
D723,450 S	*	3/2015	Holubar	.....	D12/401
D769,789 S	*	10/2016	Golden	.....	D12/404

D805,460 S	*	12/2017	Printup, III	.....	D12/401
2009/0102227	A1	*	4/2009	Herndon	..... B62D 35/001
					296/100.06
2010/0327618	A1	*	12/2010	Soldatelli	..... B60J 7/1621
					296/100.1
2013/0001267	A1		1/2013	Infantino	
2013/0200122	A1		8/2013	Elson	
2014/0064871	A1		3/2014	Blow	
2014/0083335	A1		3/2014	Mayhood	

\* cited by examiner

*Primary Examiner* — Katrina A Betton

(74) *Attorney, Agent, or Firm* — Julie Tennyson; Marcum Tennyson PLLC

(57) **CLAIM**

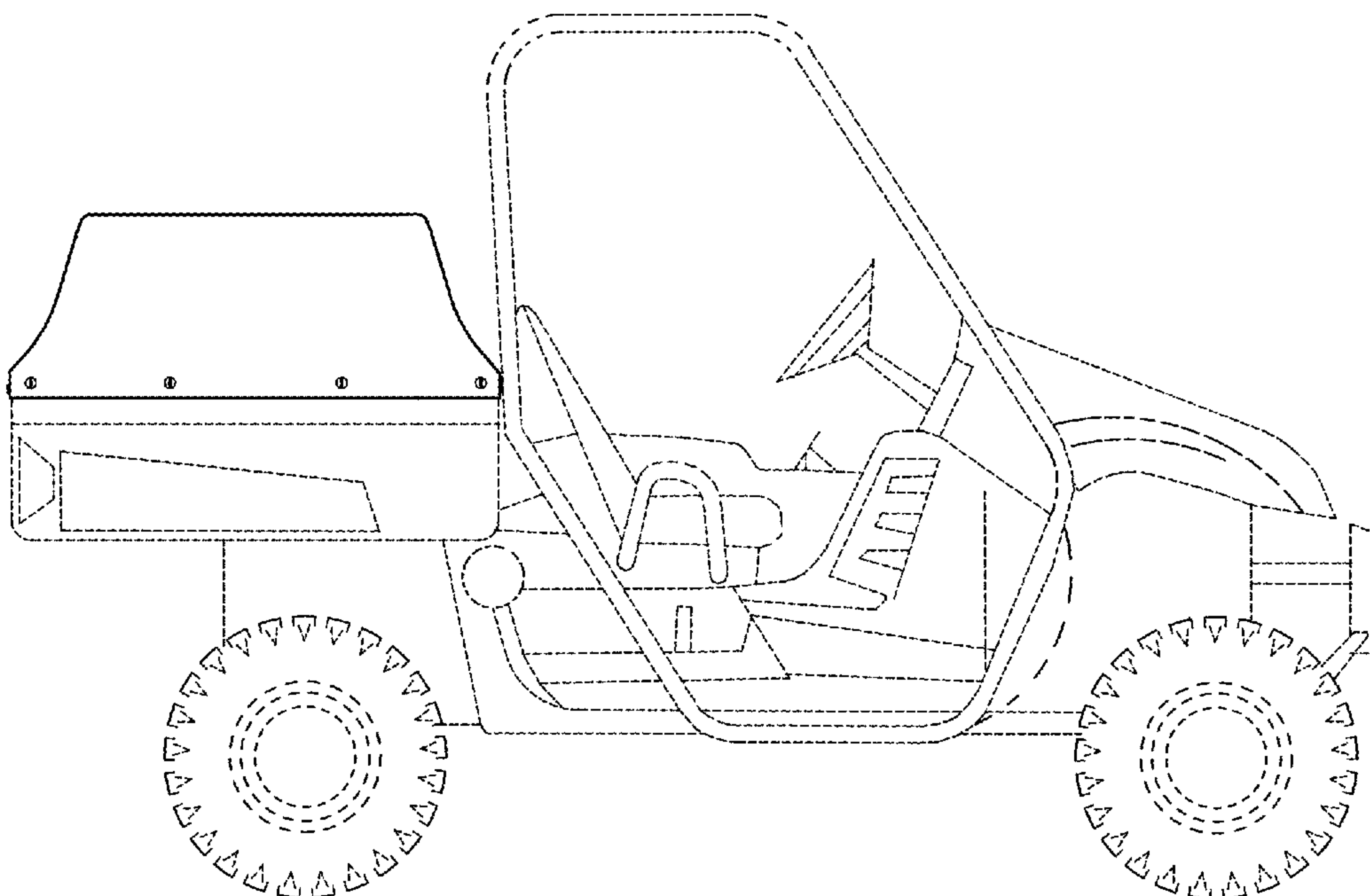
I claim the ornamental design for a top for a midsize UTV, as shown and described.

**DESCRIPTION**

FIG. 1 is a side view of a top for mid size UTV showing my new design;  
FIG. 2 is a top view thereof;  
FIG. 3 is a bottom view thereof;  
FIG. 4 is a left side view thereof;  
FIG. 5 is a right side view thereof;  
FIG. 6 is a front view thereof; and,  
FIG. 7 is a rear view thereof.

In the drawings, the broken lines depict a UTV that forms no part of the claimed design.

**1 Claim, 7 Drawing Sheets**



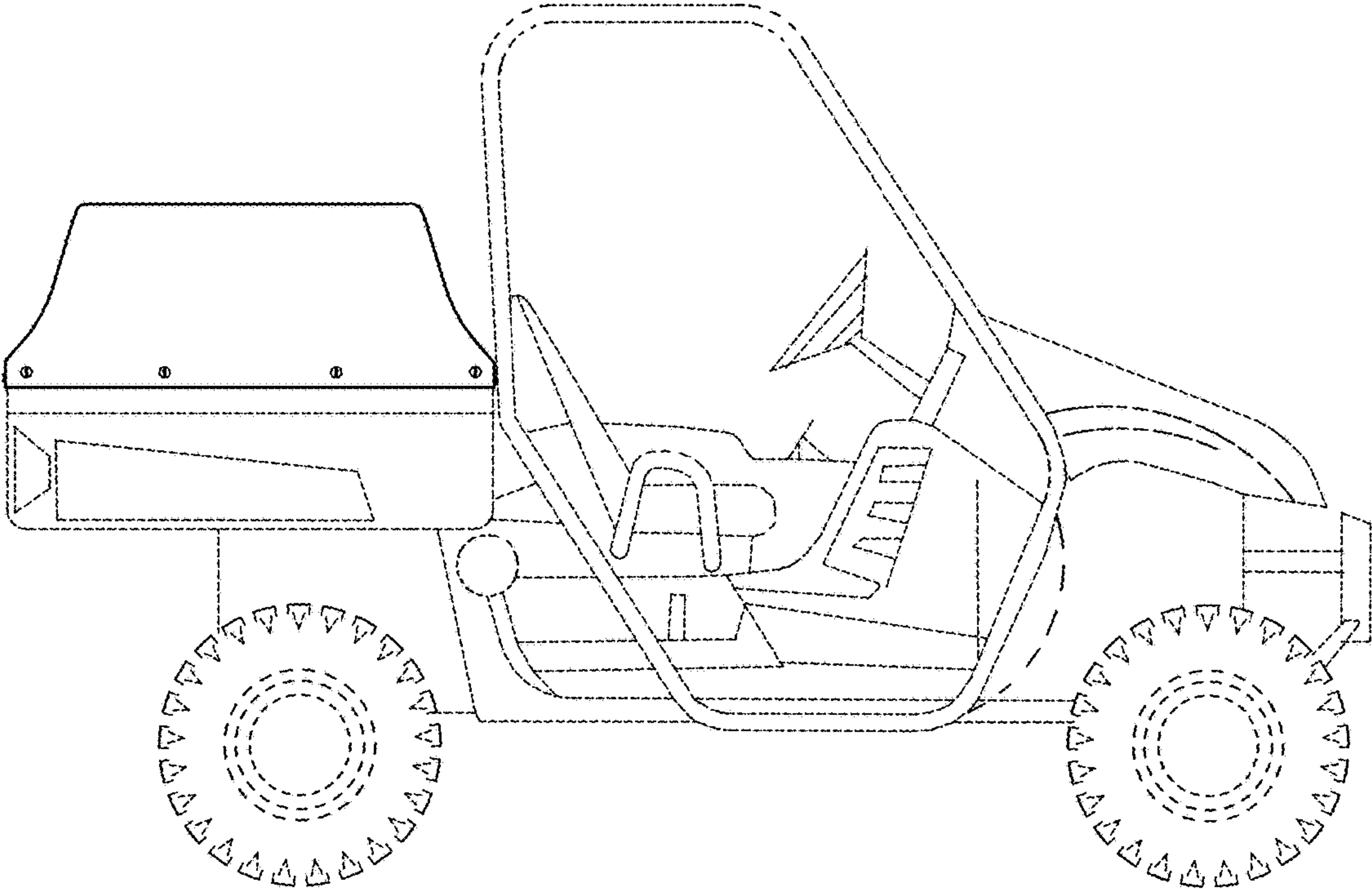


Figure 1

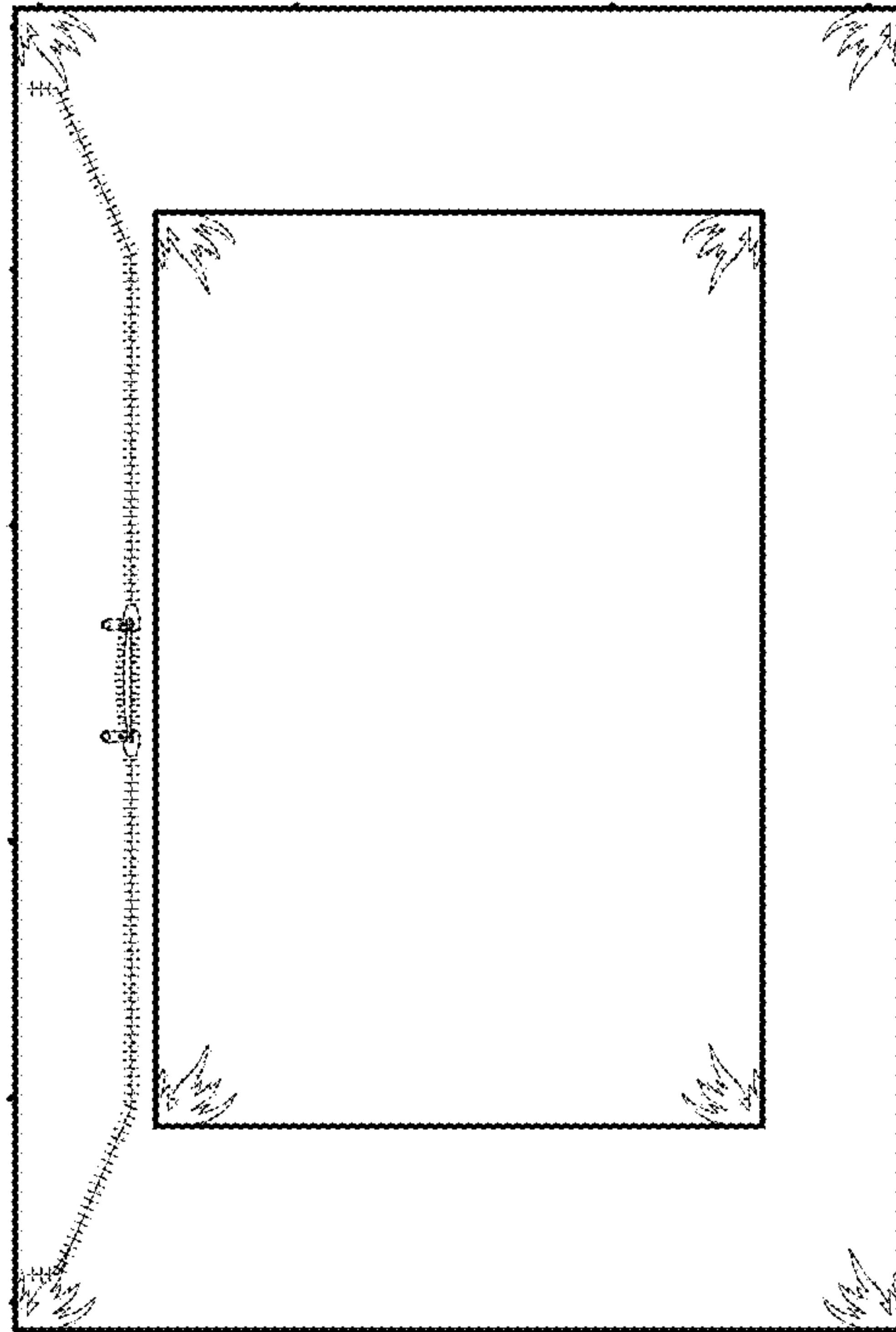


Figure 2

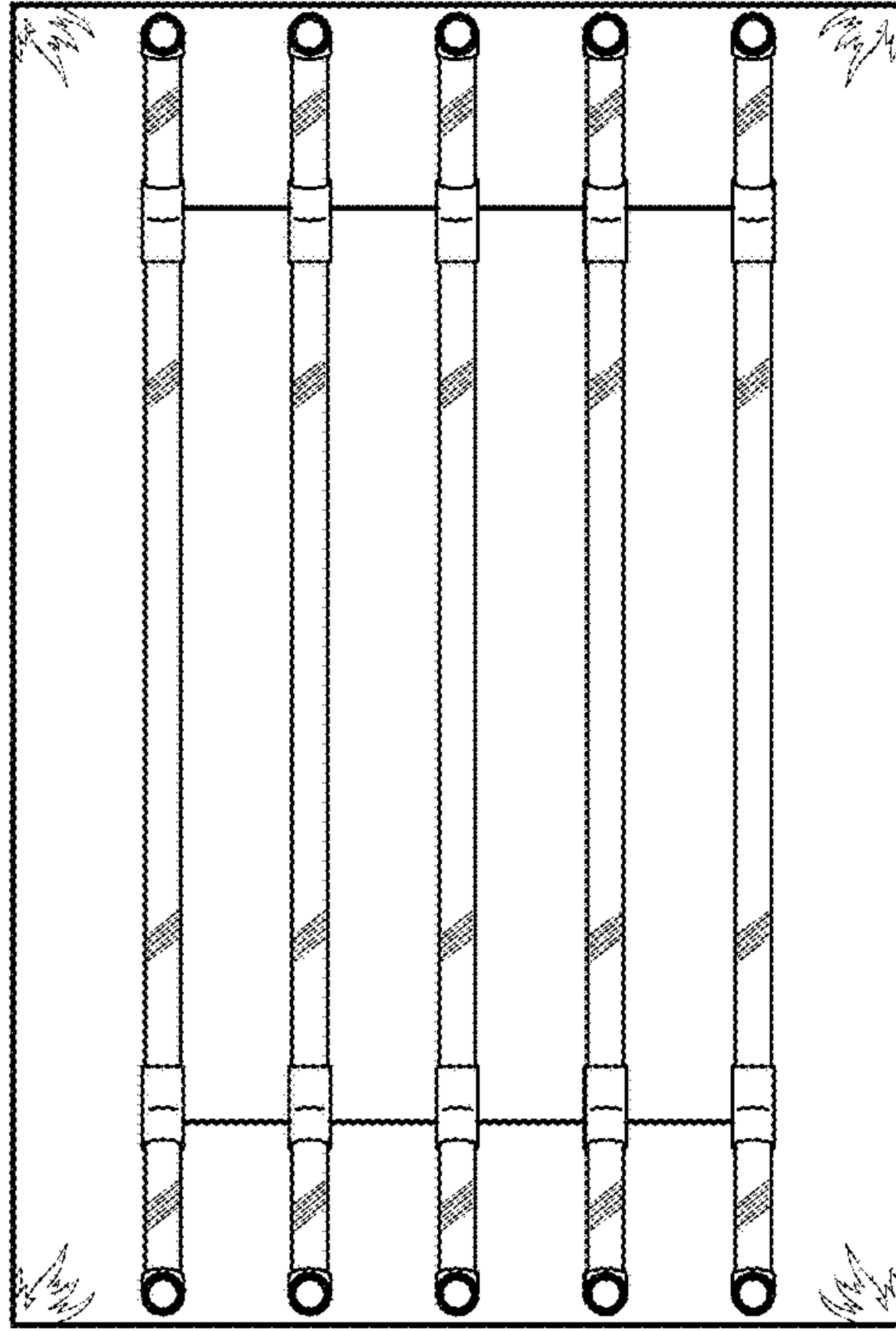


Figure 3

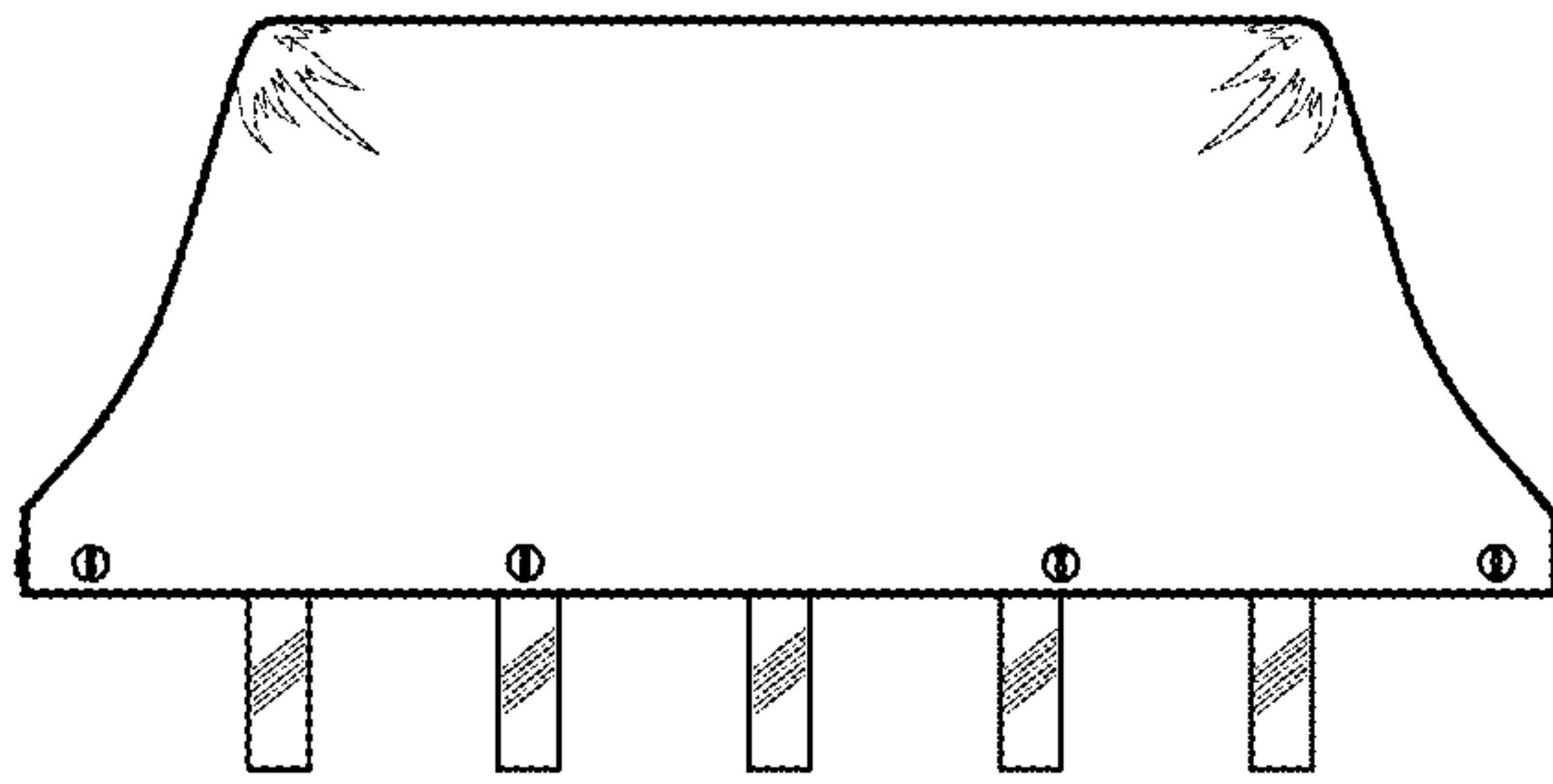


Figure 4

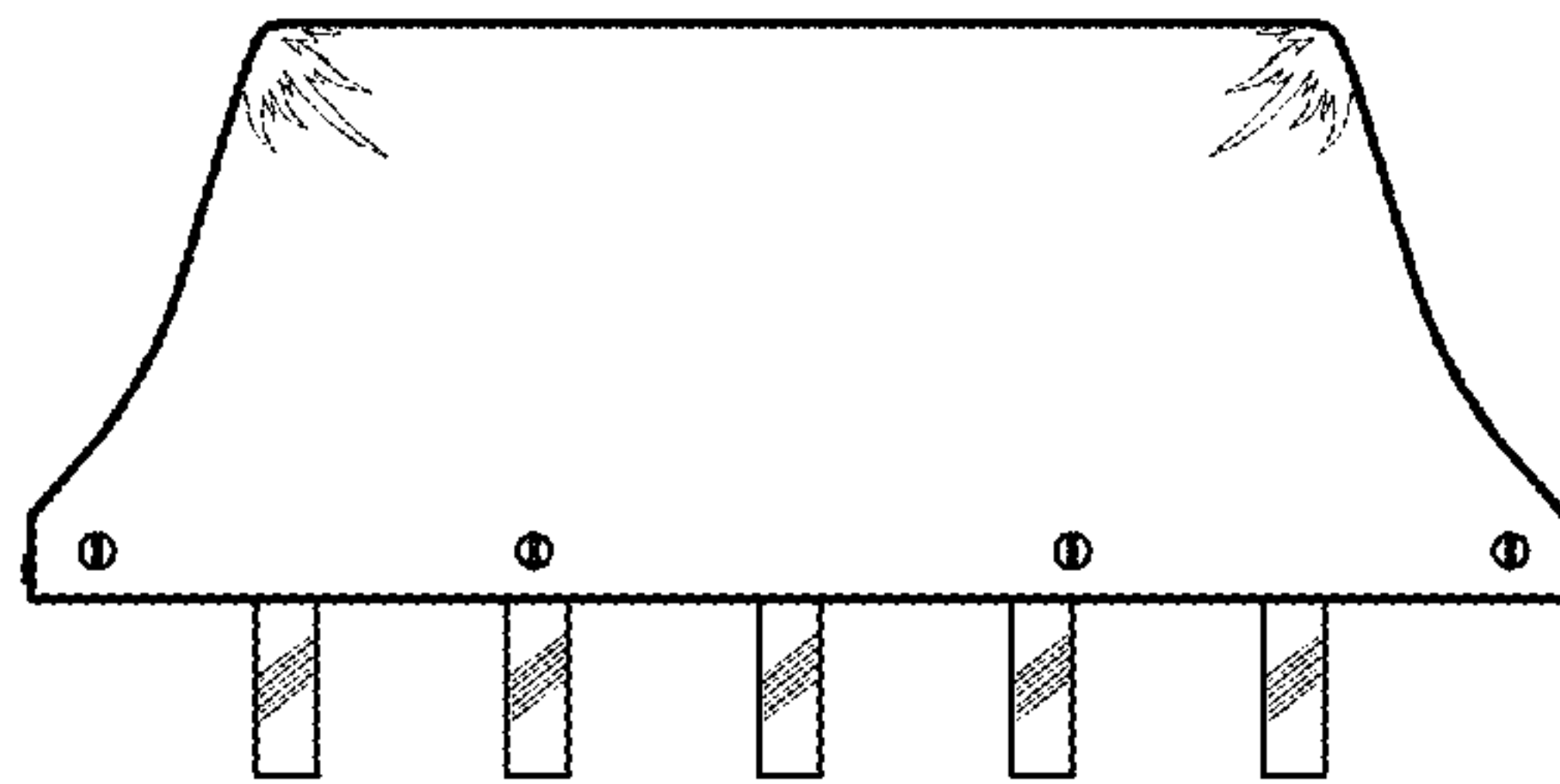


Figure 5

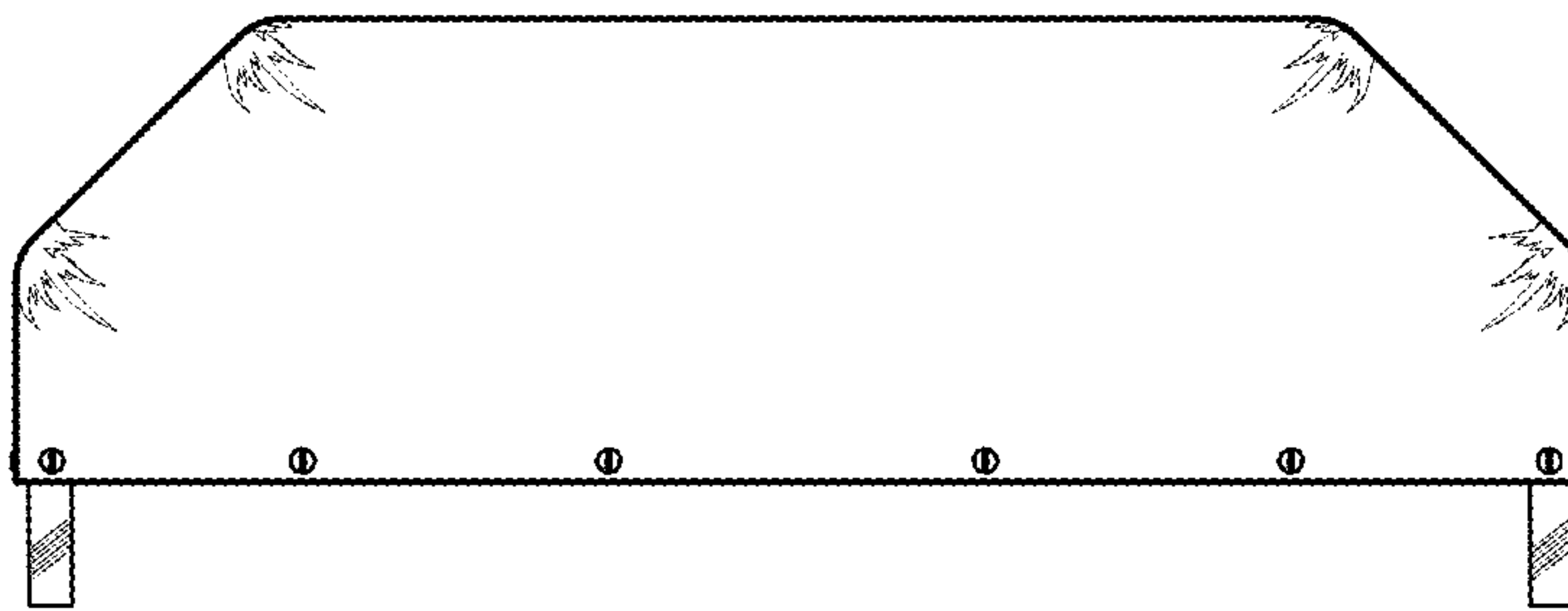


Figure 6

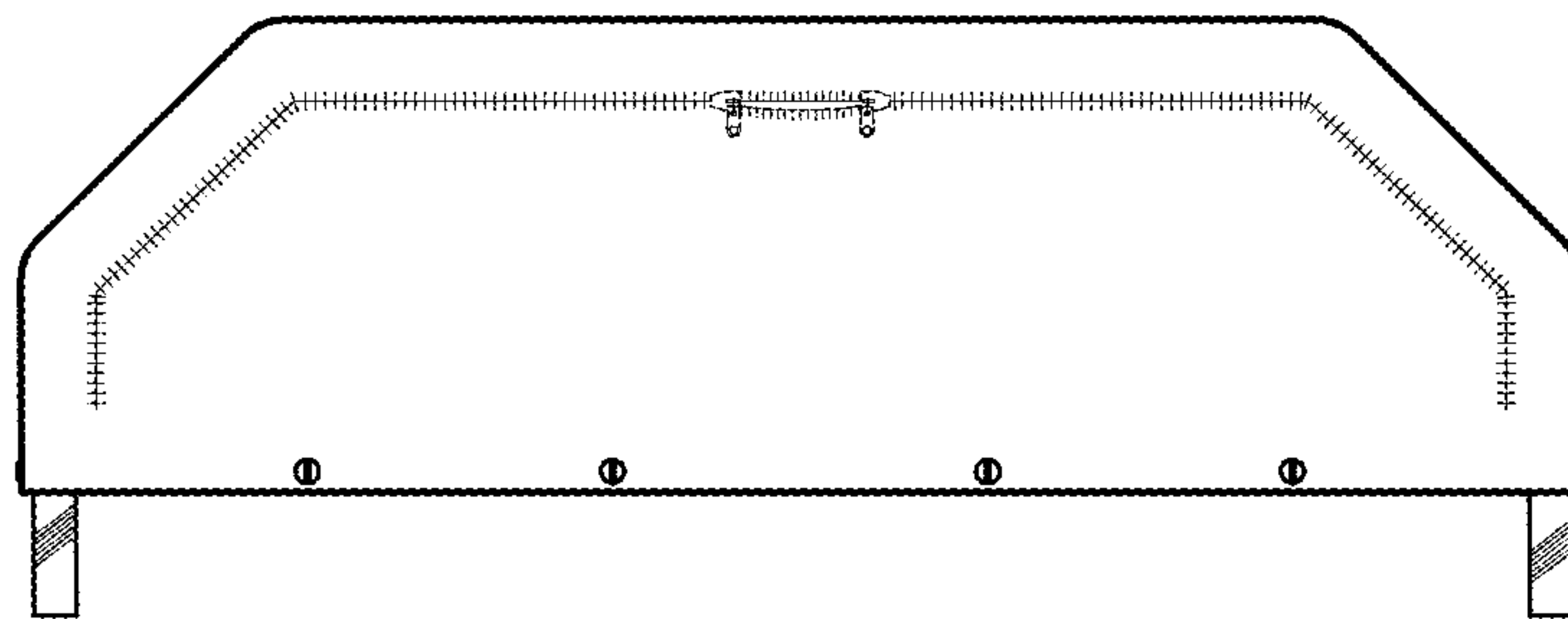


Figure 7