



US00D847078S

(12) **United States Design Patent**  
**Rolfs et al.**

(10) **Patent No.:** **US D847,078 S**

(45) **Date of Patent:** **\*\* Apr. 30, 2019**

- (54) **AUTOMOBILE ROOF**
- (71) Applicants: **Jeremy Rolfs**, Sylvan Lake, MI (US);  
**Nicholas Vardis**, Sylvan Lake, MI (US)
- (72) Inventors: **Jeremy Rolfs**, Sylvan Lake, MI (US);  
**Nicholas Vardis**, Sylvan Lake, MI (US)
- (73) Assignee: **FCA US LLC**, Auburn Hills, MI (US)
- (\*\*) Term: **15 Years**
- (21) Appl. No.: **29/609,855**
- (22) Filed: **Jul. 6, 2017**
- (51) **LOC (11) Cl.** ..... **12-16**
- (52) **U.S. Cl.**  
USPC ..... **D12/401**
- (58) **Field of Classification Search**  
USPC ..... D12/401, 402, 403, 404, 405  
CPC ..... B60J 7/00; B60J 7/06; B60J 7/061; B60J  
7/08; B60J 7/0807; B60J 7/11; B60J  
7/12; B60J 7/22; B60J 7/1265; B60J  
10/10; B60J 10/273; B60K 16/00; B32B  
37/04  
See application file for complete search history.

- 7,891,729 B2 \* 2/2011 Fujishima ..... B60J 7/061  
296/218
- D727,243 S \* 4/2015 Matsumura ..... D12/401
- 9,346,342 B1 \* 5/2016 Bowles ..... B60J 7/11
- 10,023,096 B2 \* 7/2018 Stojkovic ..... B60P 7/0807
- D829,154 S \* 9/2018 Verachtert ..... D12/404
- D829,635 S \* 10/2018 Verachtert ..... D12/404
- D832,185 S \* 10/2018 McIntire ..... D12/401

\* cited by examiner

*Primary Examiner* — Susan Bennett Hattan

*Assistant Examiner* — Suzanne E Tisdell

(74) *Attorney, Agent, or Firm* — Ralph E. Smith

(57) **CLAIM**

The ornamental design for an automobile roof, as shown and described.

**DESCRIPTION**

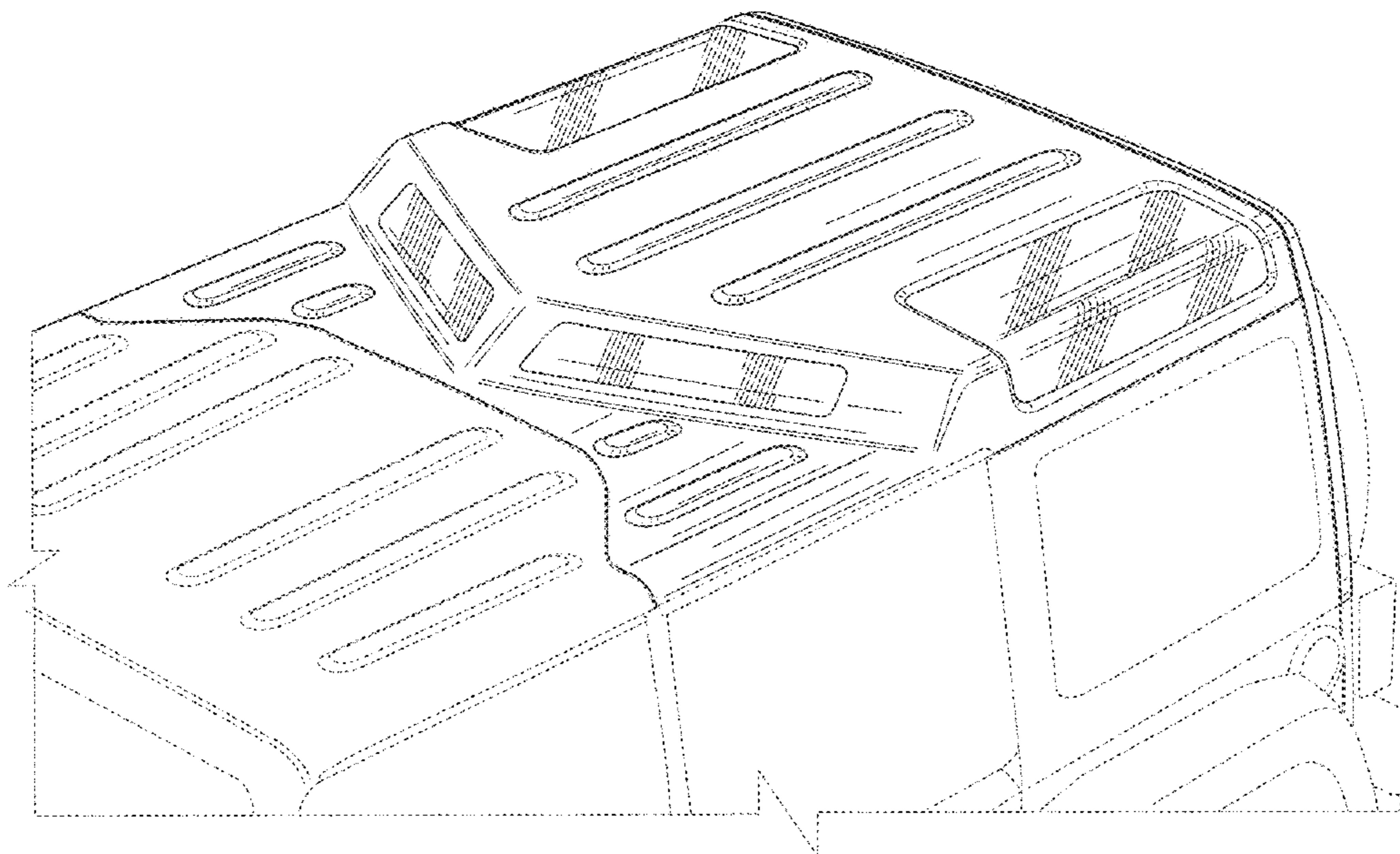
FIG. 1 is an elevated front right side perspective view of an automobile roof showing our new design;  
 FIG. 2 is a front view thereof;  
 FIG. 3 is a rear view thereof;  
 FIG. 4 is a top plan view thereof;  
 FIG. 5 is a right side view thereof;  
 FIG. 6 is an enlarged front right side view of FIG. 1 thereof;  
 and,  
 FIG. 7 is an enlarged rear right side view of FIG. 1.  
 It will be understood that the broken lines shown in the drawings illustrate portions of the automobile roof that form no part of claimed design.

(56) **References Cited**

**U.S. PATENT DOCUMENTS**

- D249,034 S \* 8/1978 Snyder ..... D12/401
- D431,018 S \* 9/2000 Maypole ..... D12/401

**1 Claim, 7 Drawing Sheets**



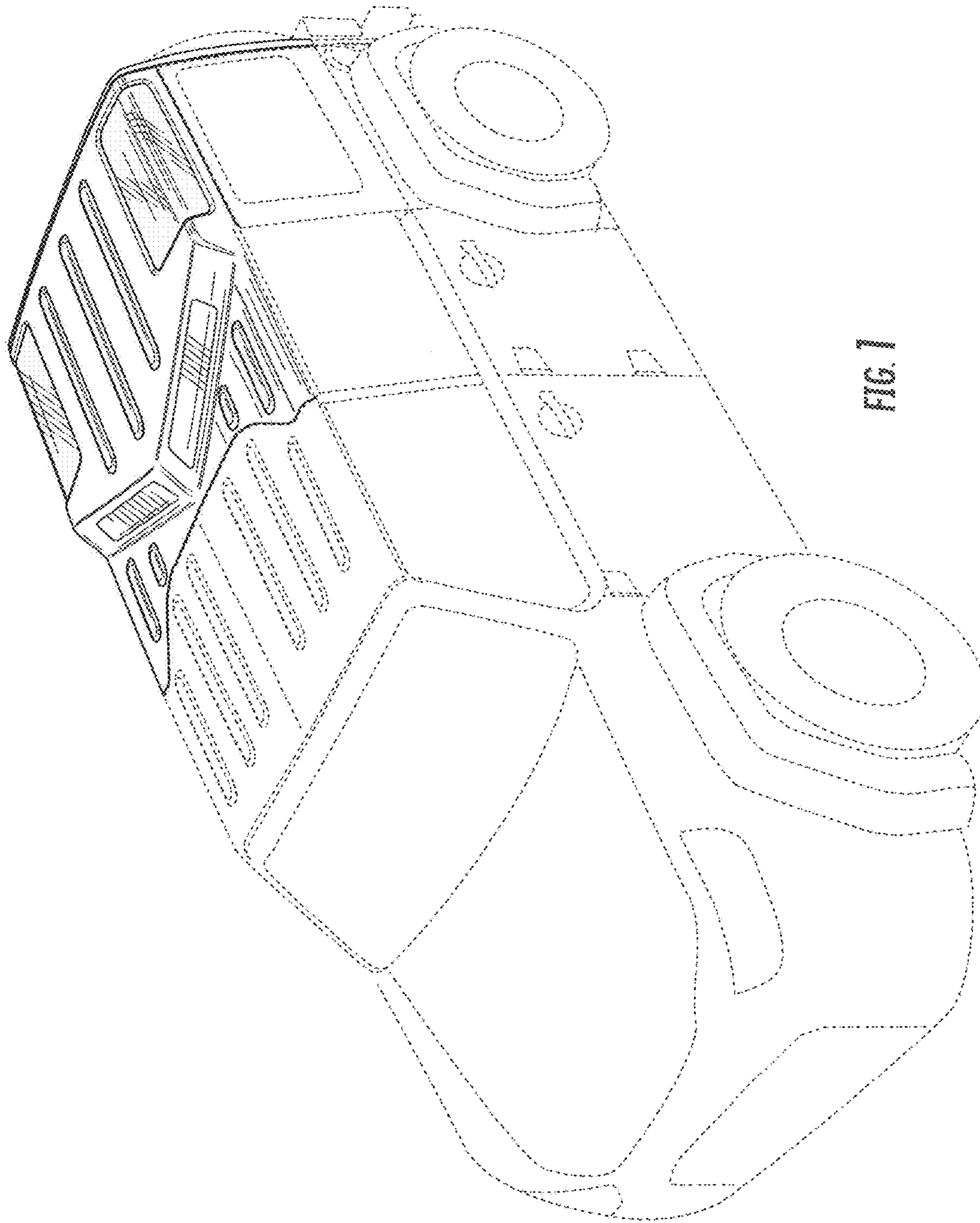


FIG. 1

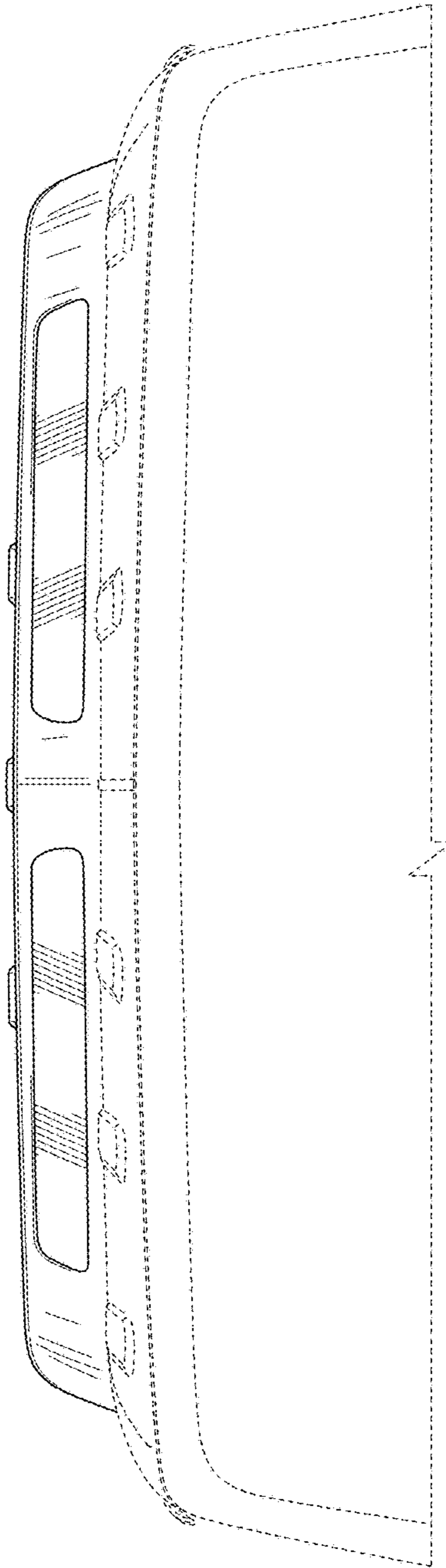


FIG. 2

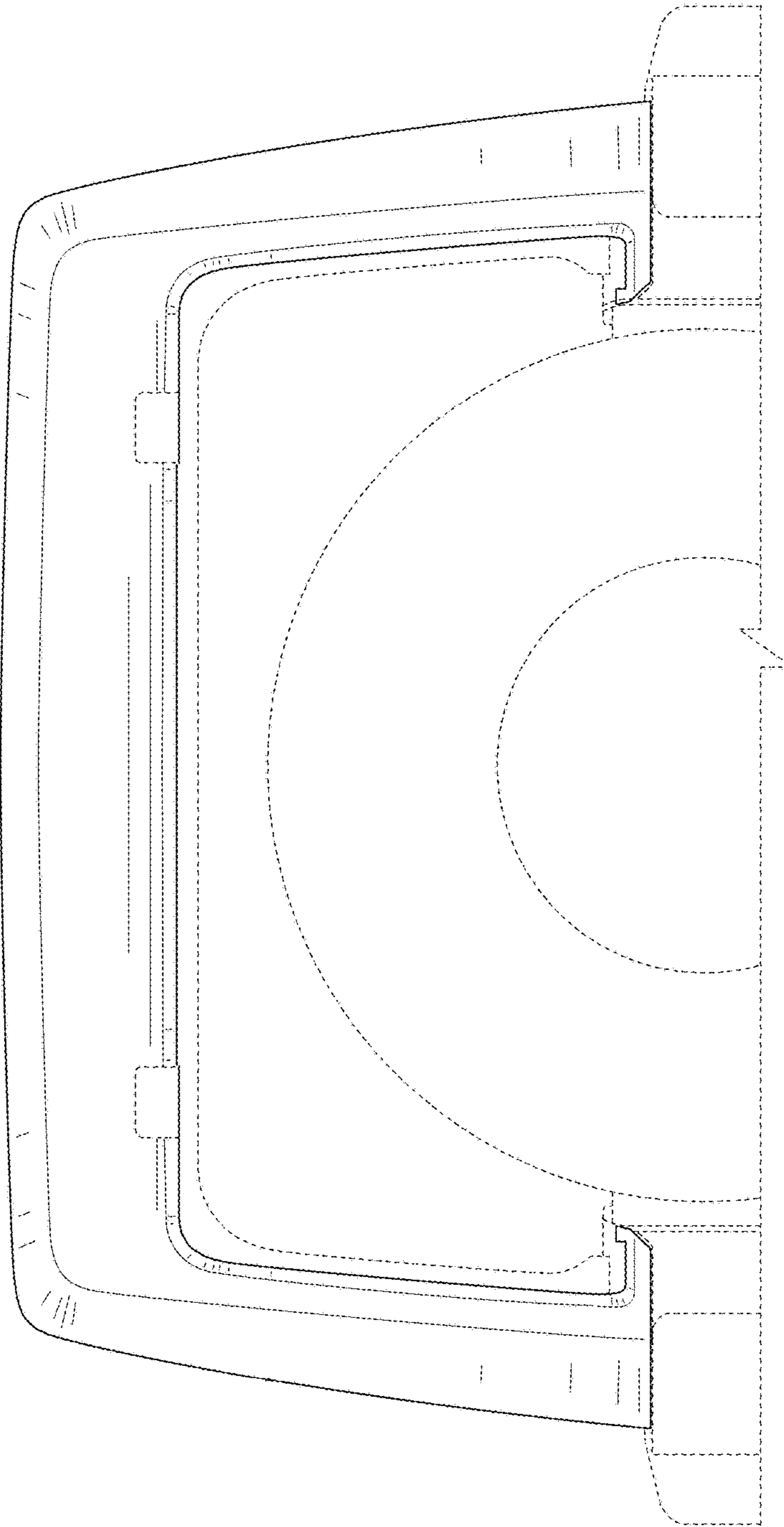


FIG. 3

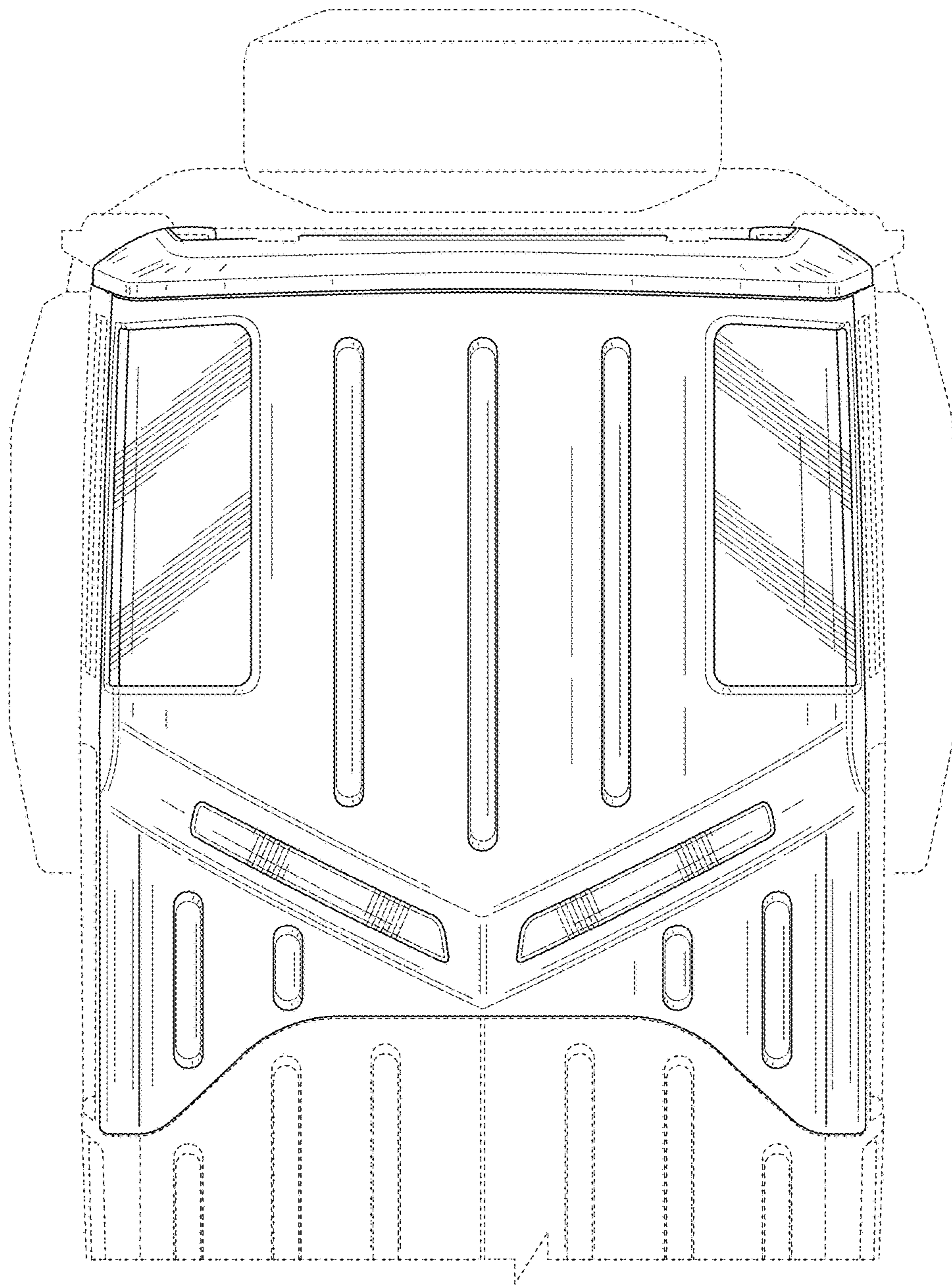


FIG. 4

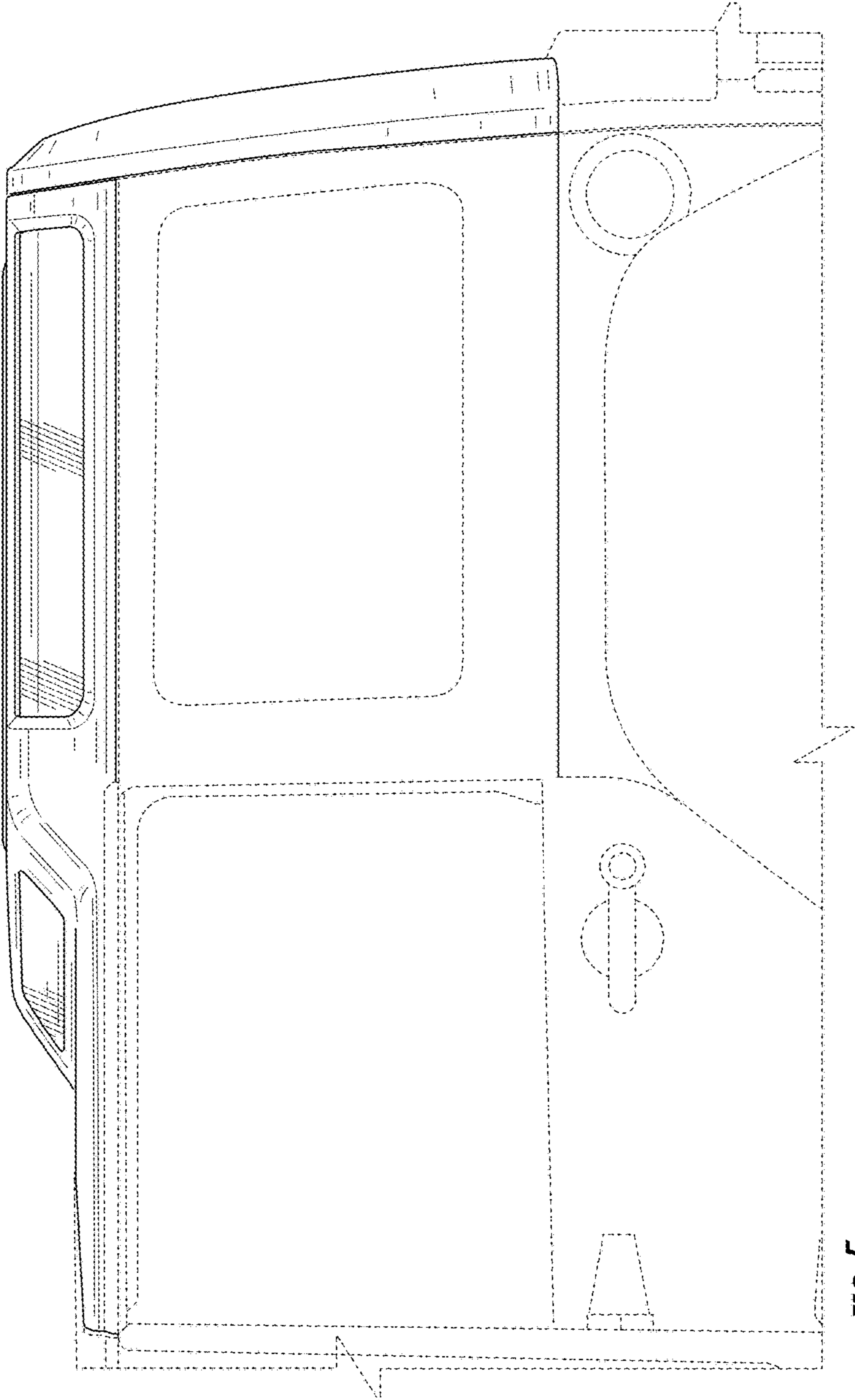


FIG. 5

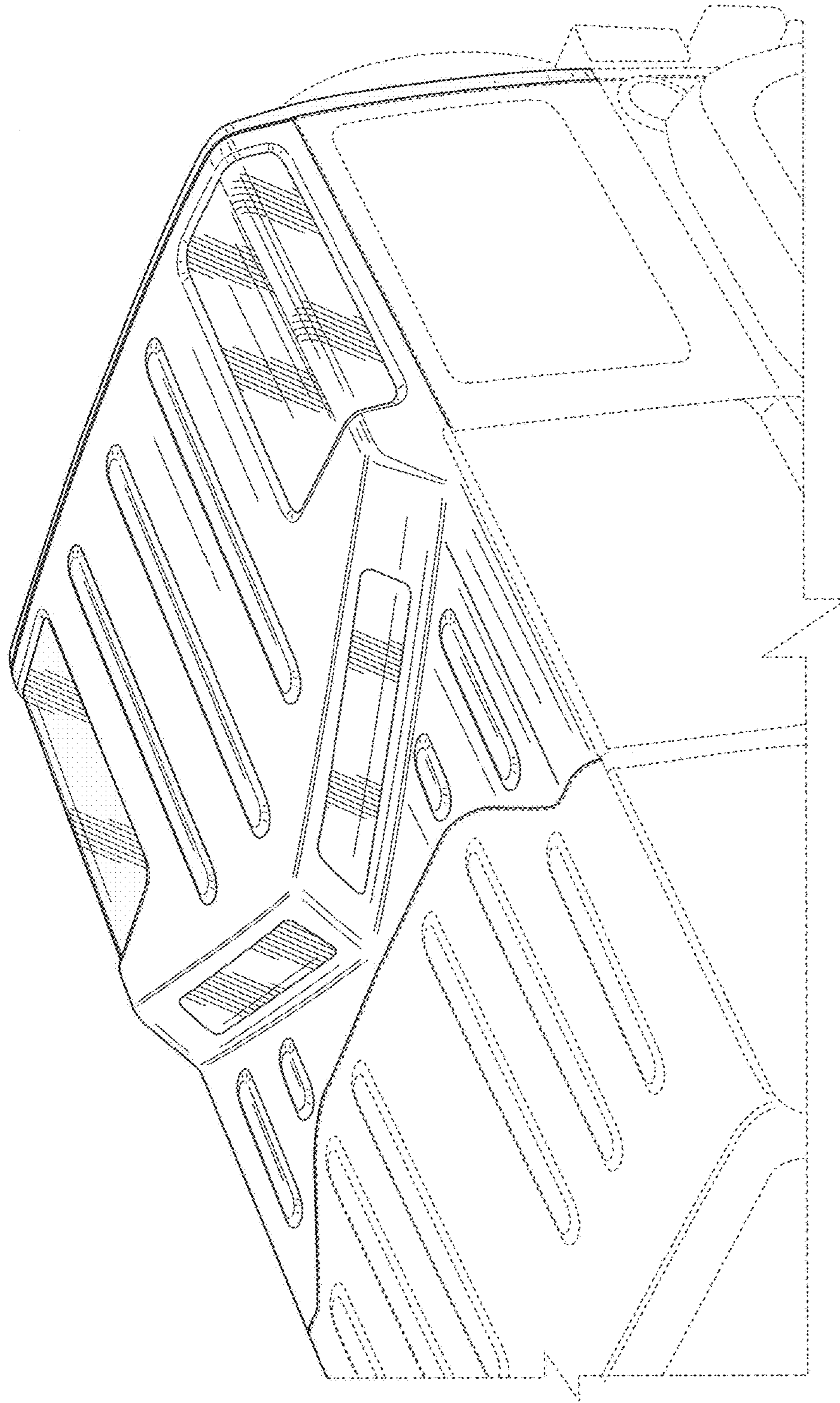


FIG. 6

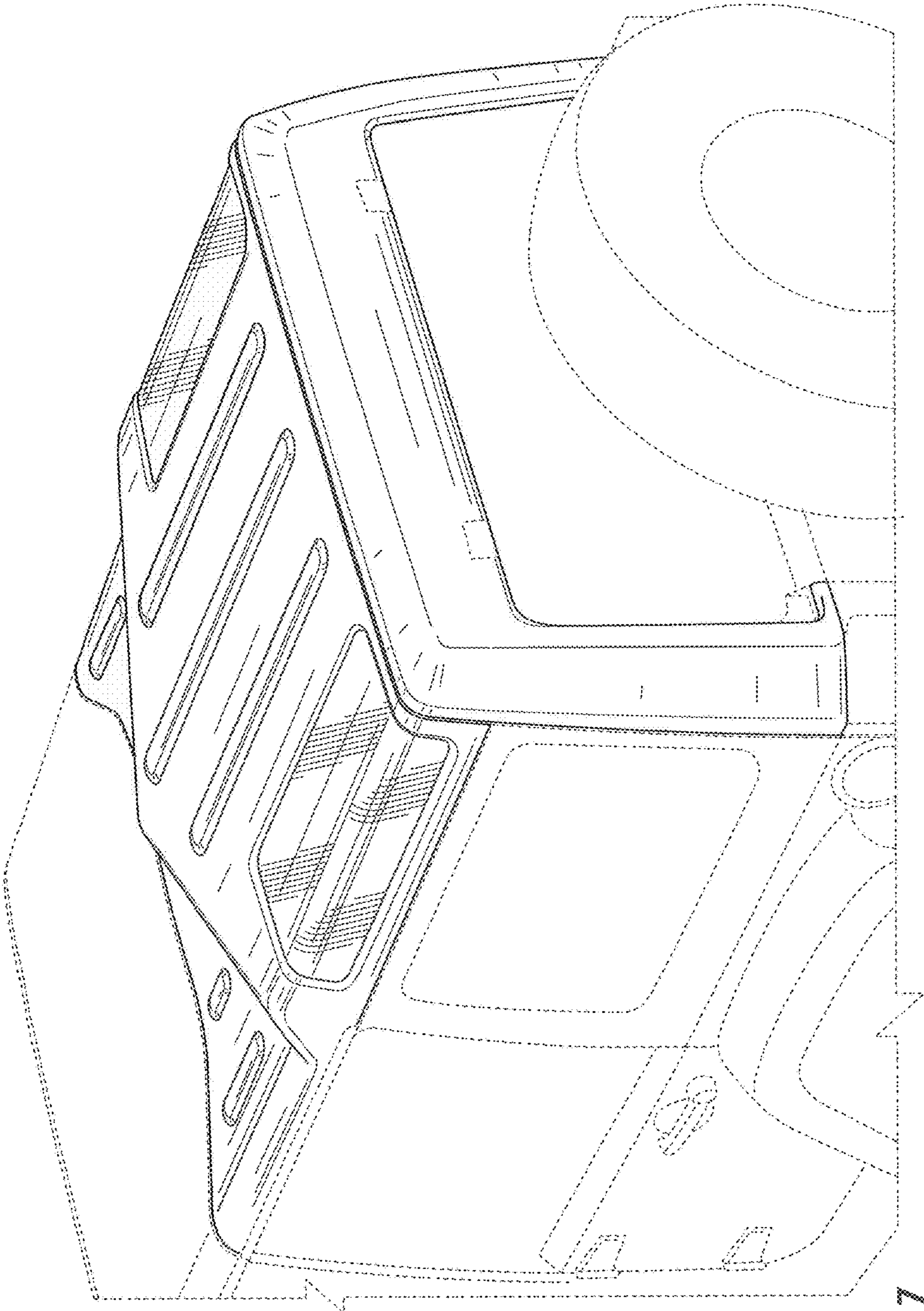


FIG. 7