



US00D847076S

(12) **United States Design Patent**
Peat

(10) **Patent No.:** **US D847,076 S**

(45) **Date of Patent:** **** Apr. 30, 2019**

(54) **WHEEL**

(71) Applicant: **Jaguar Land Rover Limited**, Whitley,
Coventry (GB)

(72) Inventor: **Anthony Peat**, Coventry (GB)

(73) Assignee: **Jaguar Land Rover Limited**, Whitley,
Coventry (GB)

(**) Term: **15 Years**

(21) Appl. No.: **29/640,922**

(22) Filed: **Mar. 19, 2018**

(30) **Foreign Application Priority Data**

Sep. 18, 2017 (EM) 004360576

(51) **LOC (11) Cl.** **12-16**

(52) **U.S. Cl.**
USPC **D12/211**

(58) **Field of Classification Search**
USPC D12/204–213
CPC B60B 7/00; B60B 7/02; B60B 7/04; B60B
7/01; B60B 7/06; B60B 3/04; B60B 1/00;
B60B 3/10; B60B 1/10; B60B 1/08;
B60B 3/06; B60B 1/12; B60B 3/02
See application file for complete search history.

(56) **References Cited**

U.S. PATENT DOCUMENTS

D722,002 S * 2/2015 Stolz D12/211
D734,701 S * 7/2015 Mielke D12/209
D738,281 S * 9/2015 Watkin D12/211
D768,046 S * 10/2016 Patel D12/211

D771,542 S * 11/2016 Peat D12/211
D778,802 S * 2/2017 Wolff D12/211
D781,204 S * 3/2017 Peat D12/211
D784,898 S * 4/2017 Setter D12/211
D790,429 S * 6/2017 Juergens D12/211
D794,528 S * 8/2017 Setter D12/211
D796,410 S * 9/2017 Churchill D12/211
D799,395 S * 10/2017 Chung D12/209
D803,754 S * 11/2017 Chung D12/211
D806,633 S * 1/2018 Setter D12/211
D822,576 S * 7/2018 Austin D12/211
D824,318 S * 7/2018 Wheel D12/211
D825,427 S * 8/2018 Myrberg D12/209
D826,820 S * 8/2018 Bucher D12/209
D826,822 S * 8/2018 Woodhouse D12/209
D826,828 S * 8/2018 Wheel D12/211
D832,181 S * 10/2018 Setter D12/211

* cited by examiner

Primary Examiner — Stacia A Cadmus

(74) *Attorney, Agent, or Firm* — Wood Herron & Evans
LLP

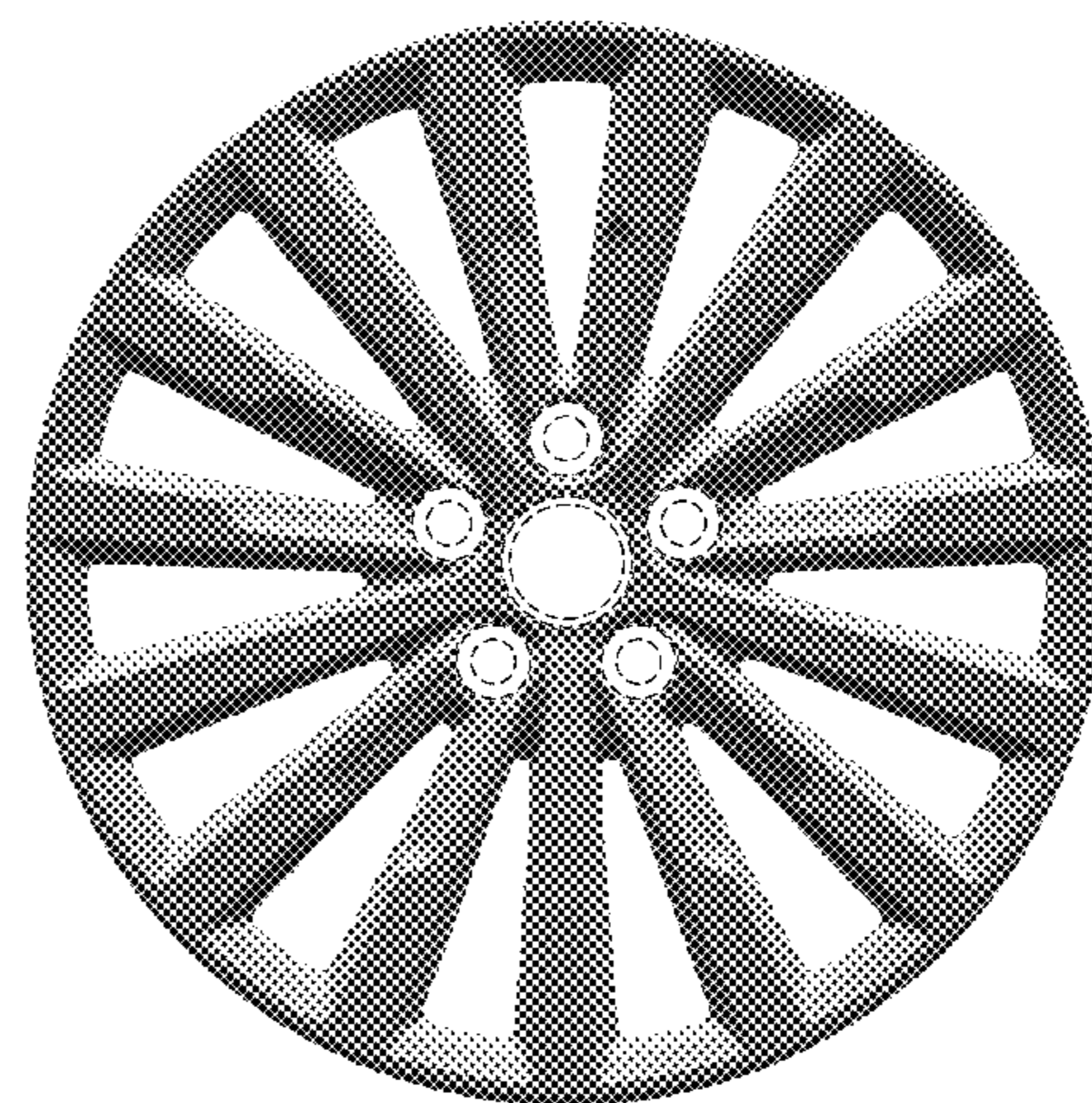
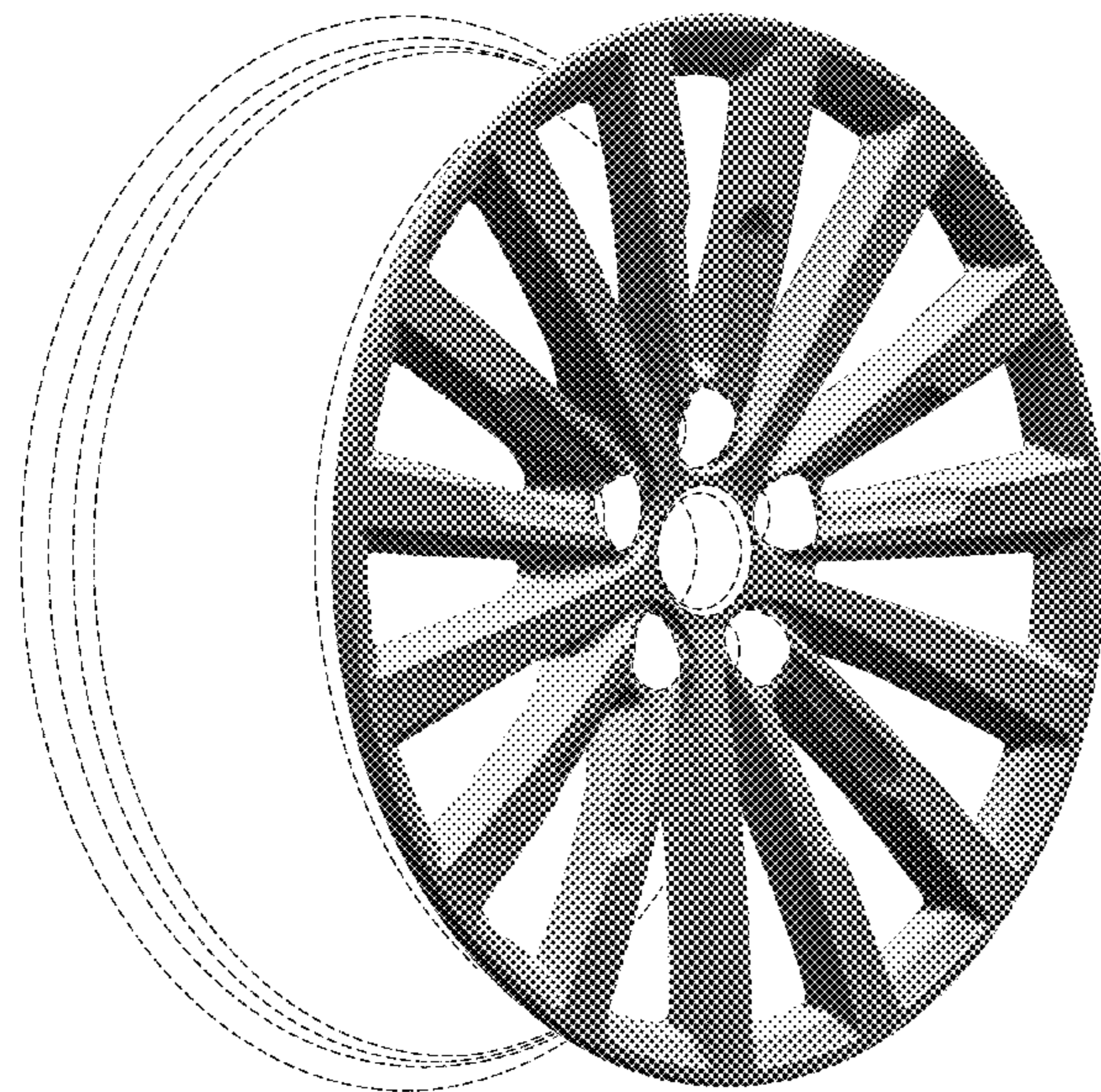
(57) **CLAIM**

The ornamental design for a wheel, as shown and described.

DESCRIPTION

FIG. 1 is a front left perspective view of a wheel for a vehicle according to the present invention. FIG. 2 is a front view of the wheel shown in FIG. 1; and, FIG. 3 is a left side view thereof, the right side view being a mirror image thereof. In FIGS. 1-3 the broken lines which show the rear of the rim, the bolt holes, and the center hole in the central hub area are included to illustrate environment and form no part of the claimed design.

1 Claim, 2 Drawing Sheets



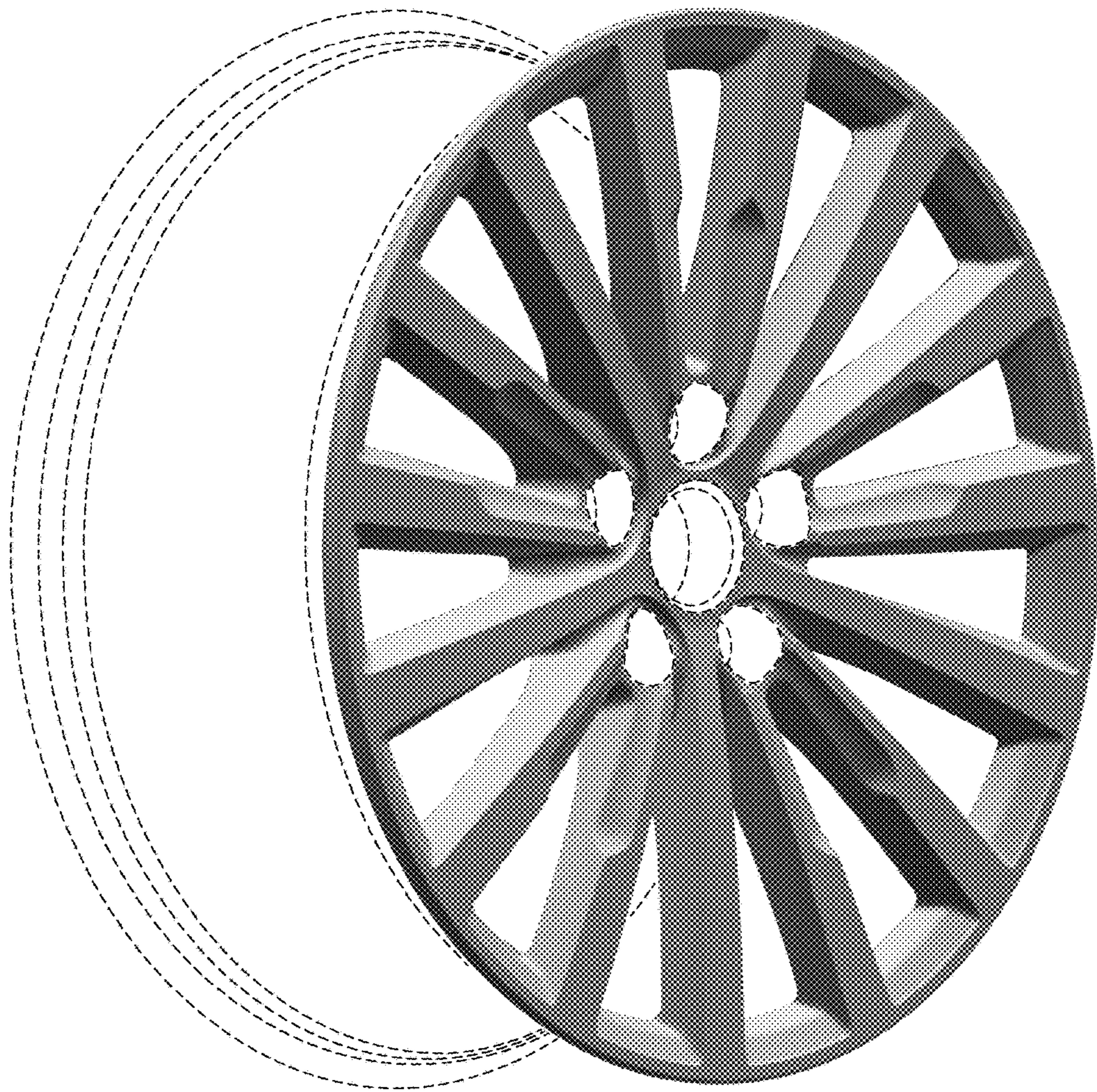


FIG. 1

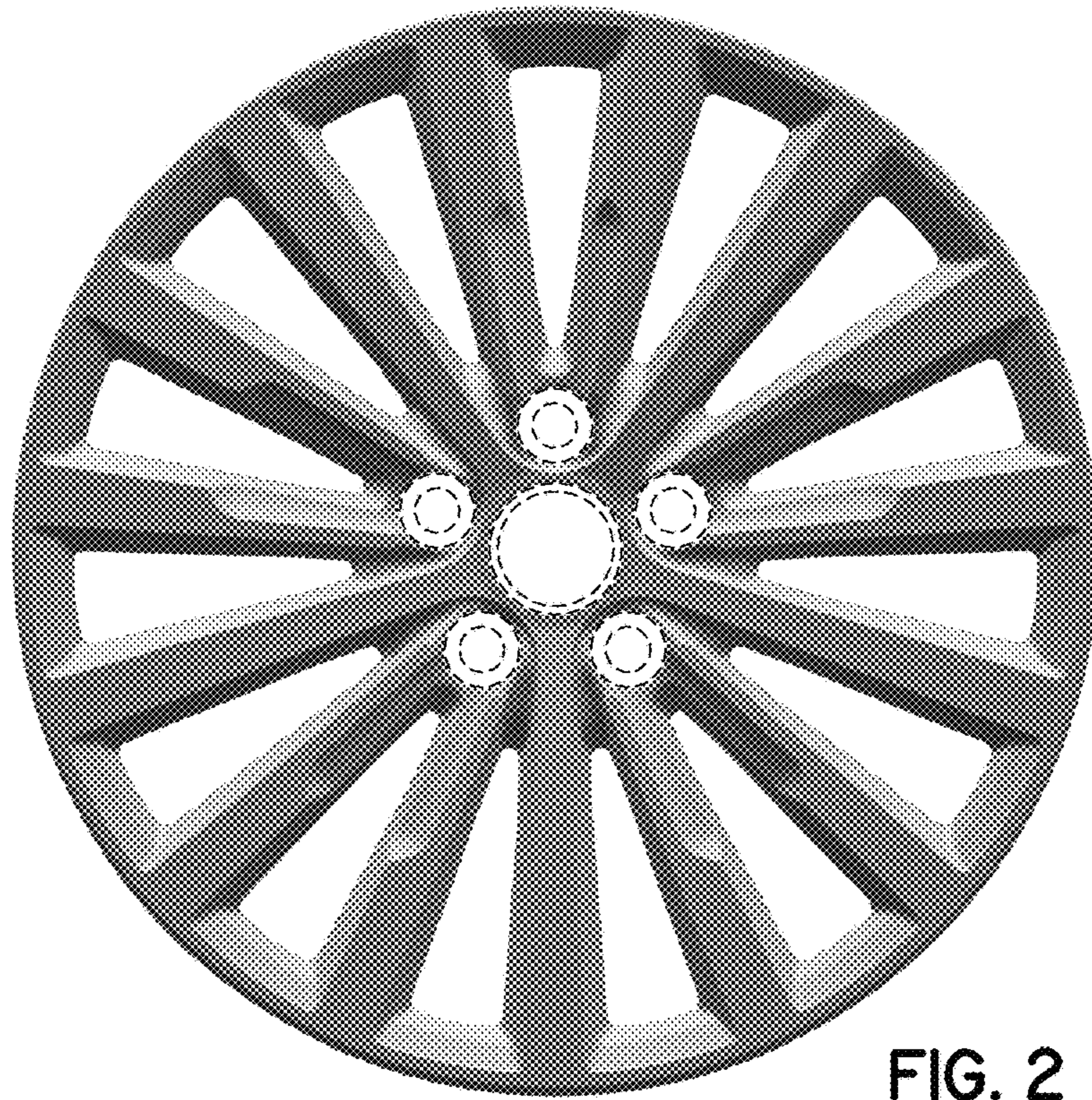


FIG. 2

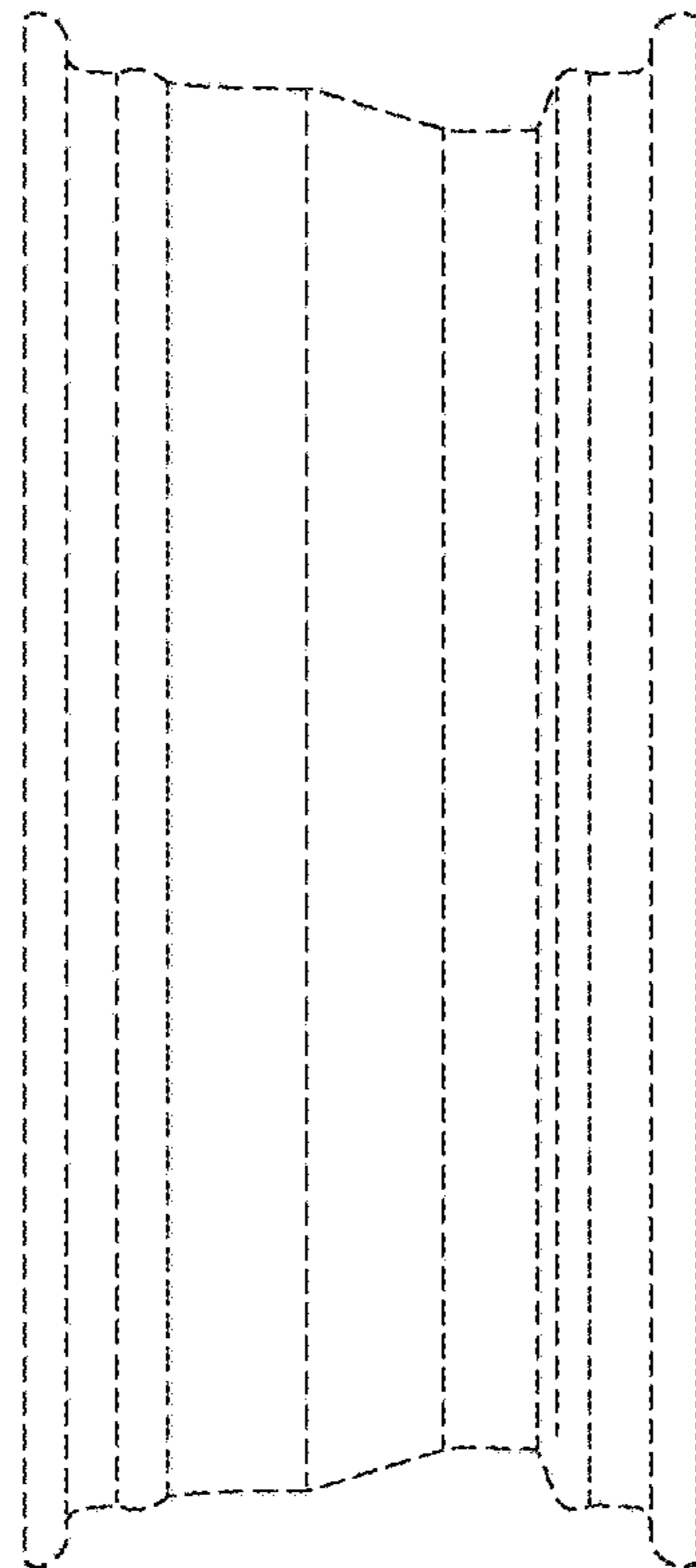


FIG. 3