



US00D847072S

(12) **United States Design Patent**  
**Badstuebner et al.**

(10) **Patent No.:** **US D847,072 S**

(45) **Date of Patent:** **\*\* Apr. 30, 2019**

(54) **WHEEL OR WHEEL COVER**

(71) Applicant: **Daimler AG**, Stuttgart (DE)

(72) Inventors: **Achim-Dietrich Badstuebner**, Munich (DE); **Robert Lesnik**, Leonberg (DE); **Peter Riedel**, Holzgerlingen (DE); **Jaroslav Hejtmanek**, Moetzingen (DE)

(73) Assignee: **Daimler AG**, Stuttgart (DE)

(\*\*) Term: **15 Years**

(21) Appl. No.: **29/640,332**

(22) Filed: **Mar. 14, 2018**

(51) **LOC (11) Cl.** ..... **12-16**

(52) **U.S. Cl.**  
USPC ..... **D12/209**

(58) **Field of Classification Search**  
USPC ..... D12/204–213; D21/533, 561, 563  
CPC .... B60B 7/00; B60B 7/02; B60B 7/04; B60B 7/06; B60B 3/02; B60B 3/04; B60B 3/06; B60B 3/10; B60B 1/00; B60B 1/08; B60B 1/10; B60B 1/12  
See application file for complete search history.

(56) **References Cited**

**U.S. PATENT DOCUMENTS**

D537,026 S	*	2/2007	Nordmann	.....	D12/209
D579,397 S	*	10/2008	Osborne	.....	D12/211
D587,177 S	*	2/2009	Scheu	.....	D12/209
D590,314 S	*	4/2009	Hettler	.....	D12/209
D615,018 S	*	5/2010	Truebsbach	.....	D12/211
D625,675 S	*	10/2010	Juergens	.....	D12/209
D629,346 S	*	12/2010	Szews	.....	D12/211

D650,315 S	*	12/2011	Juergens	.....	D12/211
D670,632 S	*	11/2012	Schweizer	.....	D12/211
D686,966 S	*	7/2013	Pollmann	.....	D12/211
D717,709 S	*	11/2014	Valencia Pollex	.....	D12/209
D723,986 S	*	3/2015	Lemke	.....	D12/209
D730,795 S	*	6/2015	Mays	.....	D12/209
D741,772 S	*	10/2015	Lesnik	.....	D12/211
D746,756 S	*	1/2016	George	.....	D12/211
D749,029 S	*	2/2016	Wheel	.....	D12/211
D753,571 S	*	4/2016	Juergens	.....	D12/211
D753,572 S	*	4/2016	Juergens	.....	D12/211
D763,761 S	*	8/2016	Dionisopoulos	.....	D12/209
D775,574 S	*	1/2017	Maher	.....	D12/209
D780,654 S	*	3/2017	Gallert	.....	D12/204
D803,755 S	*	11/2017	Widua	.....	D12/211
D805,457 S	*	12/2017	Setter	.....	D12/211
D808,324 S	*	1/2018	Ninov	.....	D12/211
D823,221 S	*	7/2018	Badstuebner	.....	D12/209
D826,824 S	*	8/2018	Platto	.....	D12/209
D828,265 S	*	9/2018	Gallert	.....	D12/209
D835,559 S	*	12/2018	Langhals	.....	D12/209

\* cited by examiner

*Primary Examiner* — Sheryl Lane

*Assistant Examiner* — Calvin E Vansant

(74) *Attorney, Agent, or Firm* — Crowell & Moring LLP

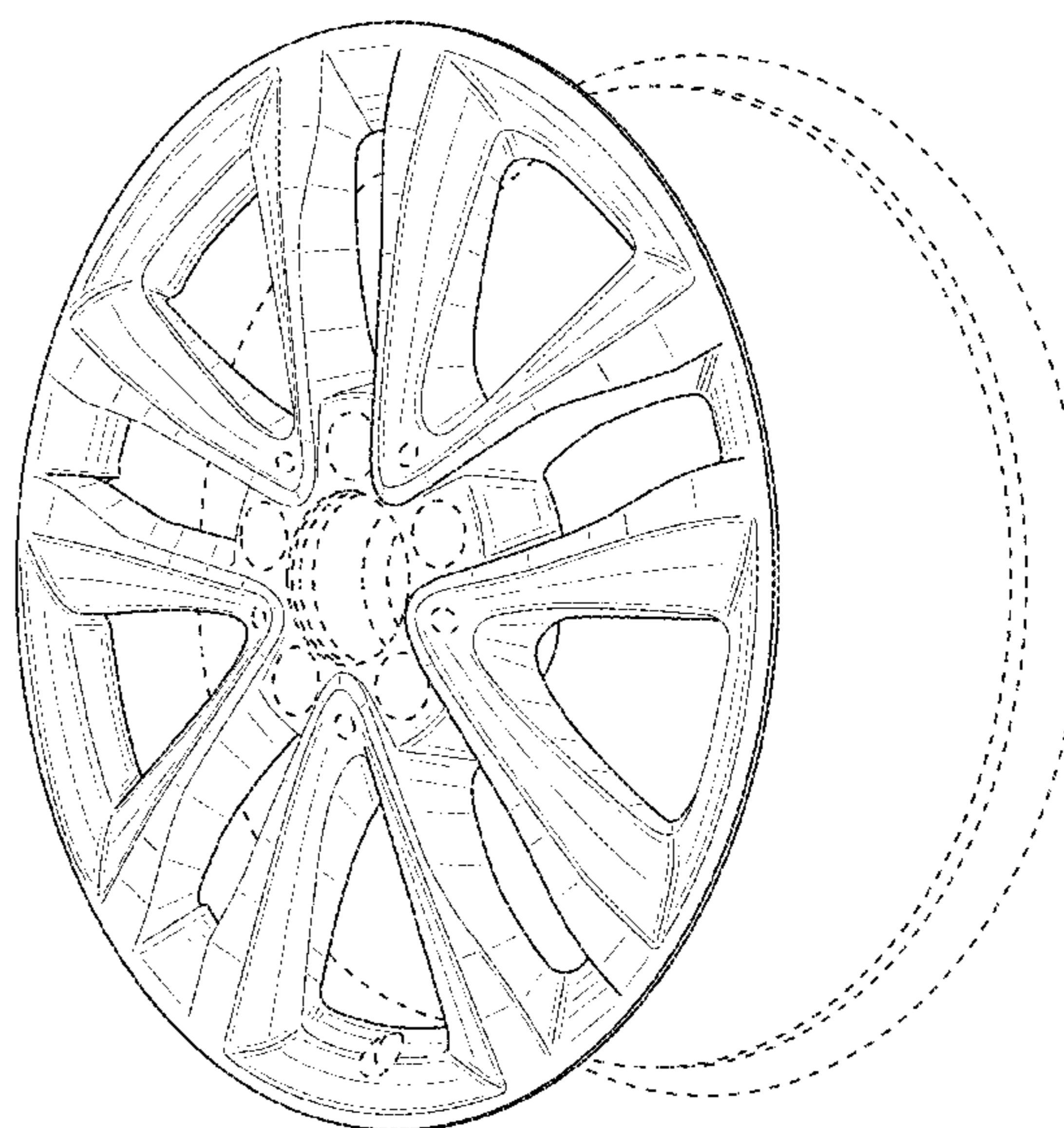
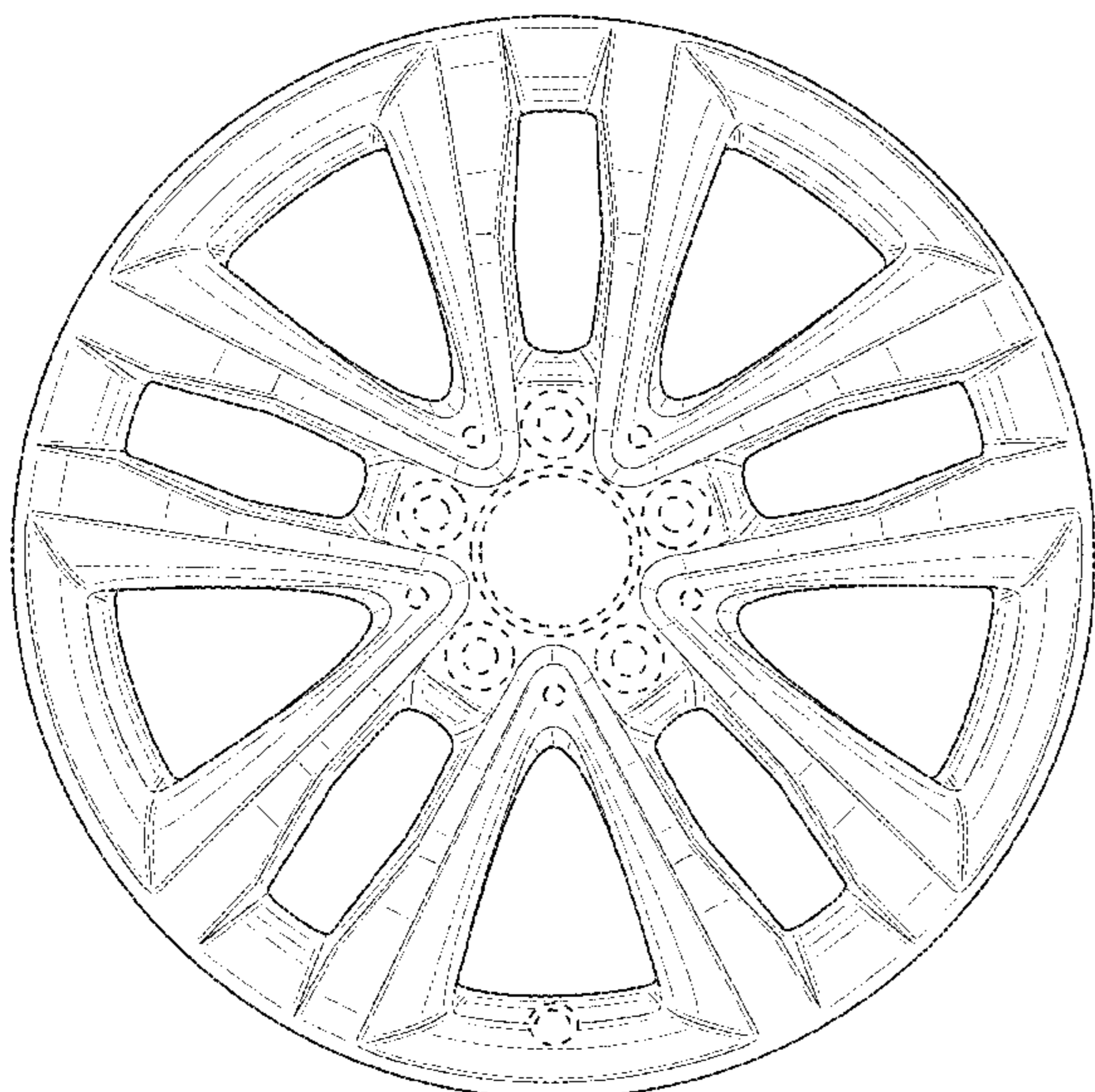
(57) **CLAIM**

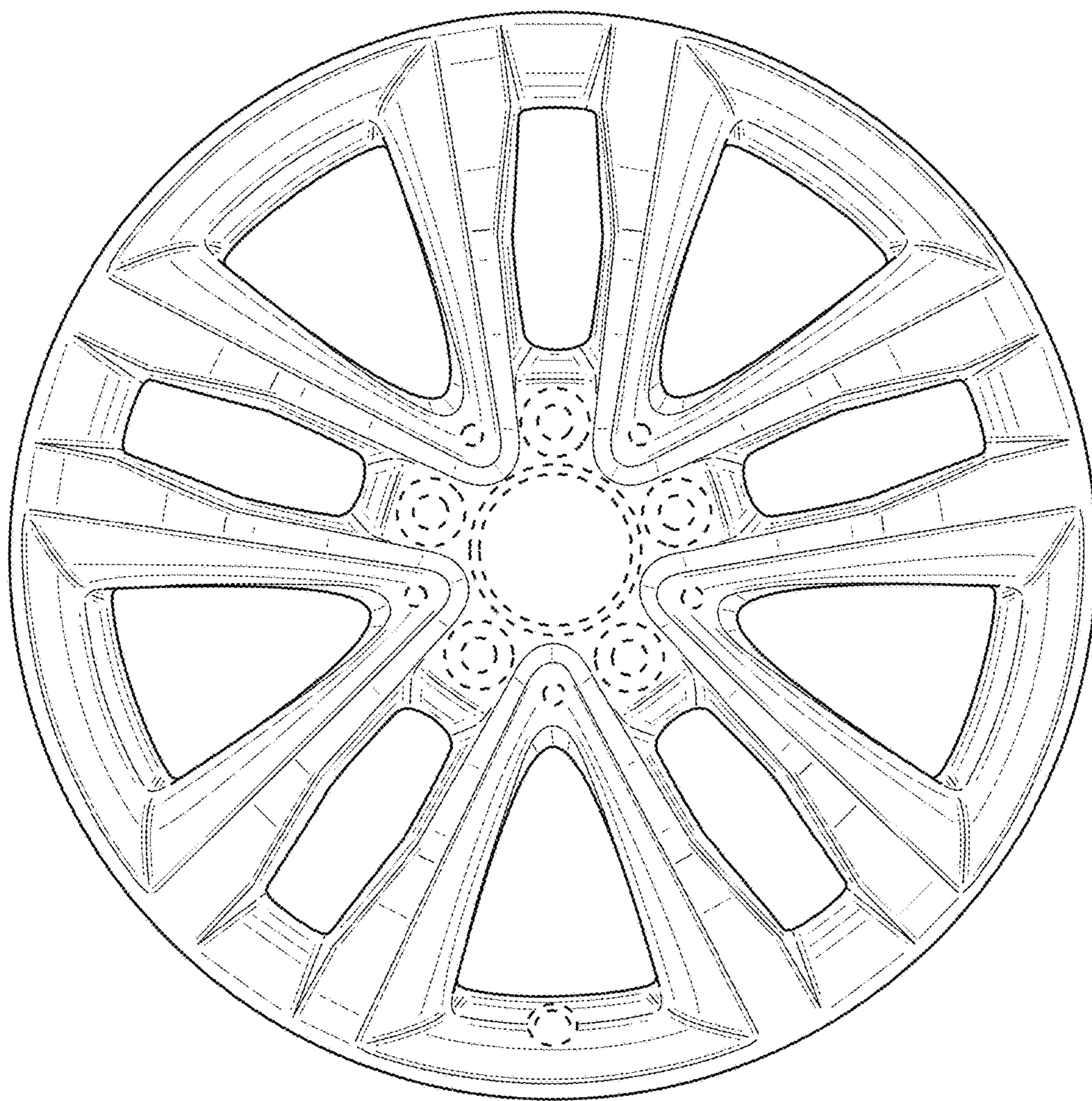
The ornamental design for a wheel or wheel cover, as shown and described.

**DESCRIPTION**

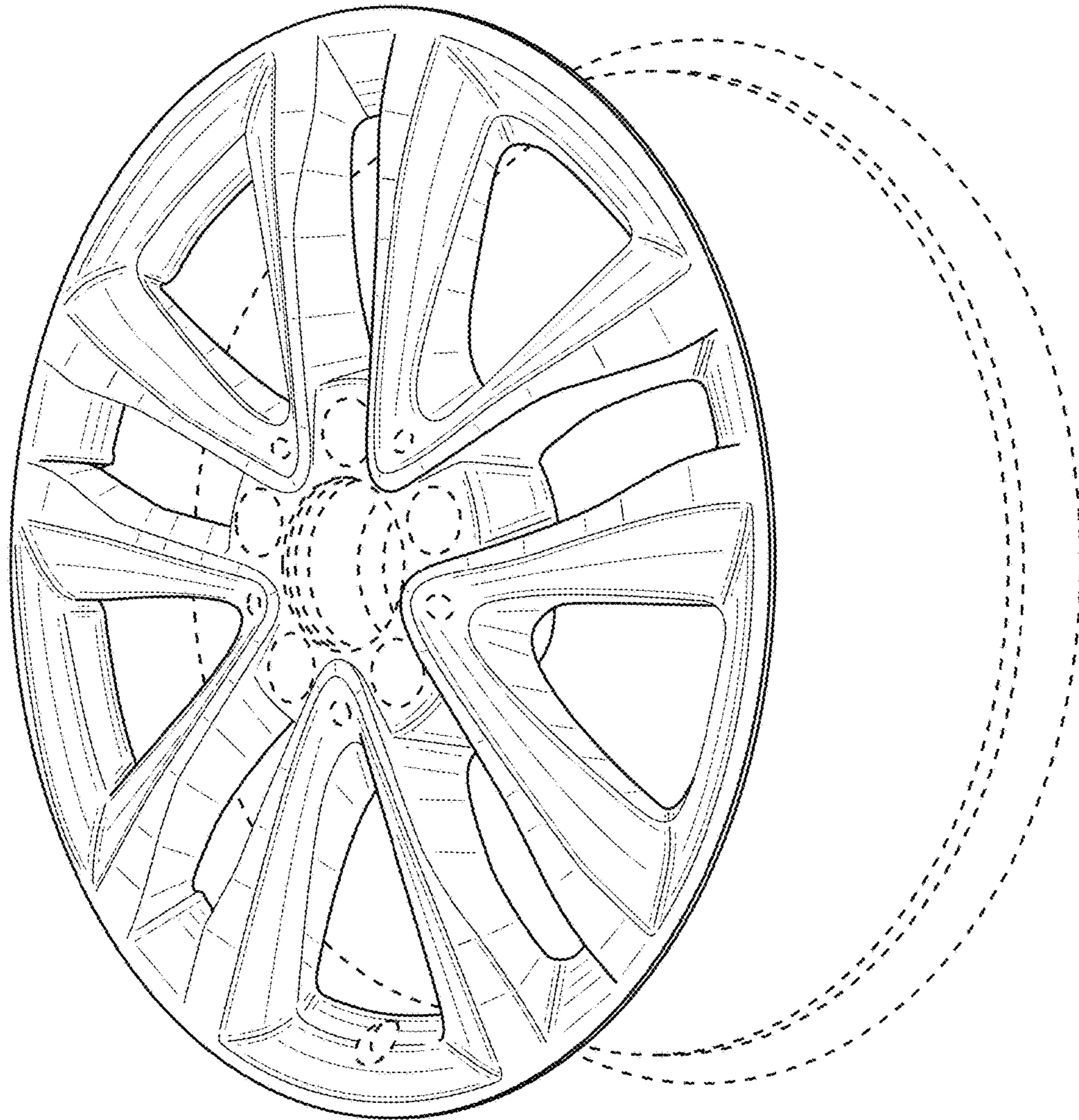
FIG. 1 is a front view of a wheel or wheel cover according to the design; and,  
FIG. 2 is a perspective view thereof.  
The broken lines in the drawings illustrate environmental subject matter only and form no part of the claimed design.

**1 Claim, 2 Drawing Sheets**





**FIG. 1**



**FIG. 2**