



US00D847069S

(12) **United States Design Patent**
Egan

(10) **Patent No.:** **US D847,069 S**

(45) **Date of Patent:** **** Apr. 30, 2019**

(54) **WHEEL**

(71) Applicant: **Jaguar Land Rover Limited**, Whitley,
Coventry (GB)

(72) Inventor: **Robert Egan**, Coventry (GB)

(73) Assignee: **Jaguar Land Rover Limited**, Whitley,
Coventry (GB)

(**) Term: **15 Years**

(21) Appl. No.: **29/637,173**

(22) Filed: **Feb. 14, 2018**

(30) **Foreign Application Priority Data**

Feb. 13, 2018 (EM) 004707123

(51) **LOC (11) Cl.** **12-16**

(52) **U.S. Cl.**
USPC **D12/209**

(58) **Field of Classification Search**
USPC D12/204–213
CPC B60B 7/00; B60B 7/02; B60B 7/04; B60B
7/01; B60B 7/06; B60B 3/04; B60B 1/00;
B60B 3/10; B60B 1/10; B60B 1/08;
B60B 3/06; B60B 1/12; B60B 3/02
See application file for complete search history.

(56) **References Cited**

U.S. PATENT DOCUMENTS

D528,957 S	*	9/2006	Kim	D12/209
D568,800 S	*	5/2008	Huet	D12/211
D666,953 S	*	9/2012	Pollmann	D12/209
D710,779 S	*	8/2014	Zhang	D12/209
D718,207 S	*	11/2014	Grake	D12/211

D720,675 S	*	1/2015	Garbas	D12/209
D732,450 S	*	6/2015	Guille	D12/209
D740,193 S	*	10/2015	Battams	D12/209
D740,194 S	*	10/2015	Valencia Pollex	D12/209
D746,208 S	*	12/2015	Battams	D12/209
D751,015 S	*	3/2016	Mahoney	D12/209
D761,179 S	*	7/2016	Chung	D12/209
D763,165 S	*	8/2016	Hans	D12/211
D777,639 S	*	1/2017	Krause	D12/209
D780,085 S	*	2/2017	Bjerke	D12/209
D788,675 S	*	6/2017	Kippes	D12/209
D788,681 S	*	6/2017	Juergens	D12/211
D793,319 S	*	8/2017	Namba	D12/209
D806,632 S	*	1/2018	Peat	D12/211
D820,761 S	*	6/2018	Badstuebner	D12/211
D823,770 S	*	7/2018	Koenigs	D12/209
D828,268 S	*	9/2018	Nakamura	D12/209

* cited by examiner

Primary Examiner — Stacia A Cadmus

(74) *Attorney, Agent, or Firm* — Wood Herron & Evans
LLP

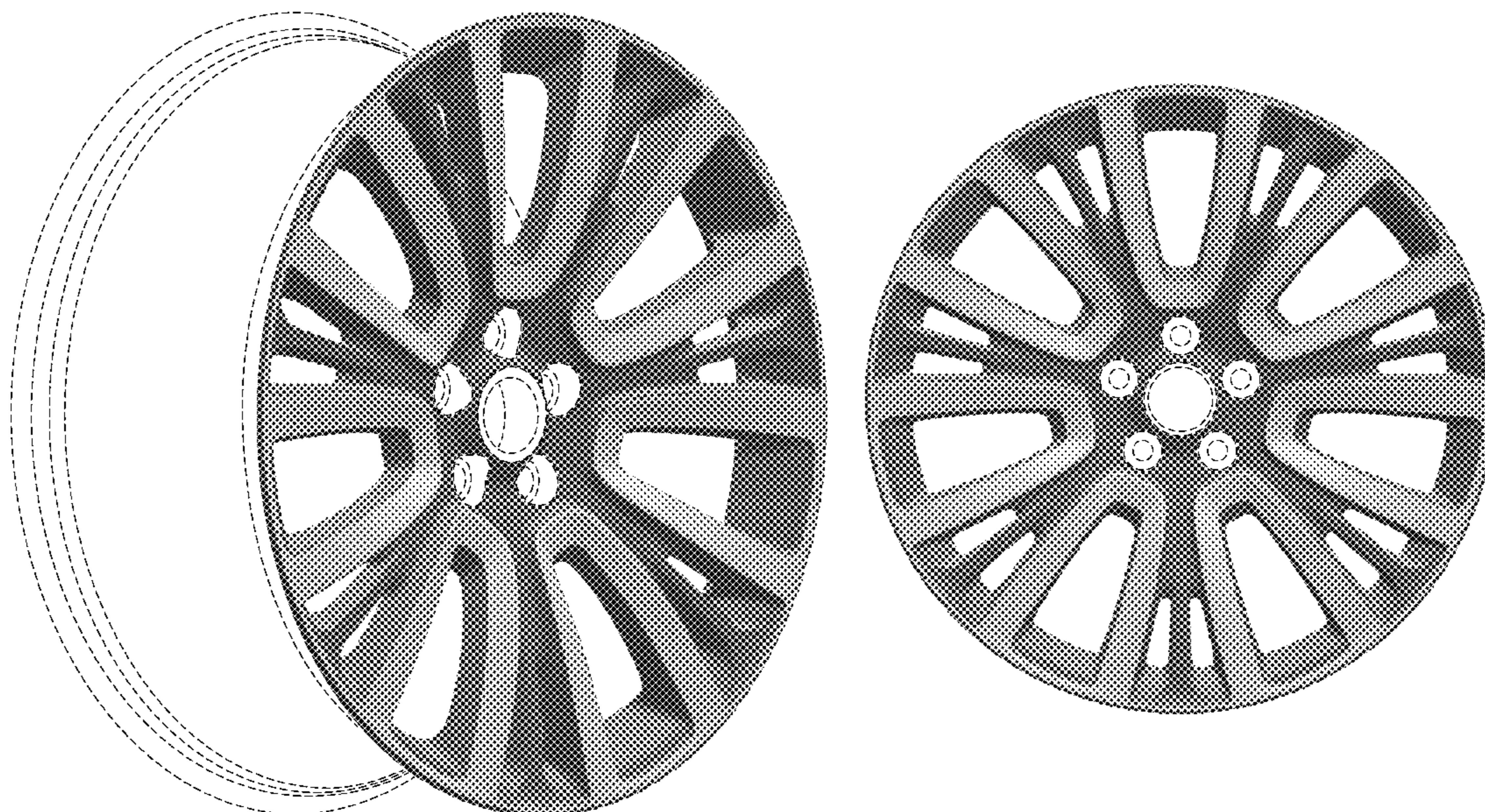
(57) **CLAIM**

The ornamental design for a wheel, as shown and described.

DESCRIPTION

FIG. 1 is a front left perspective view of a wheel for a vehicle according to the present invention. FIG. 2 is a front view of the wheel shown in FIG. 1; and, FIG. 3 is a left side view thereof, the right side view being a mirror image thereof. In FIGS. 1-3 the broken line showing of the rear of the rim, the bolt holes, and the center hole in the central hub area is included for the purpose of illustrating environment and forms no part of the claimed design.

1 Claim, 2 Drawing Sheets



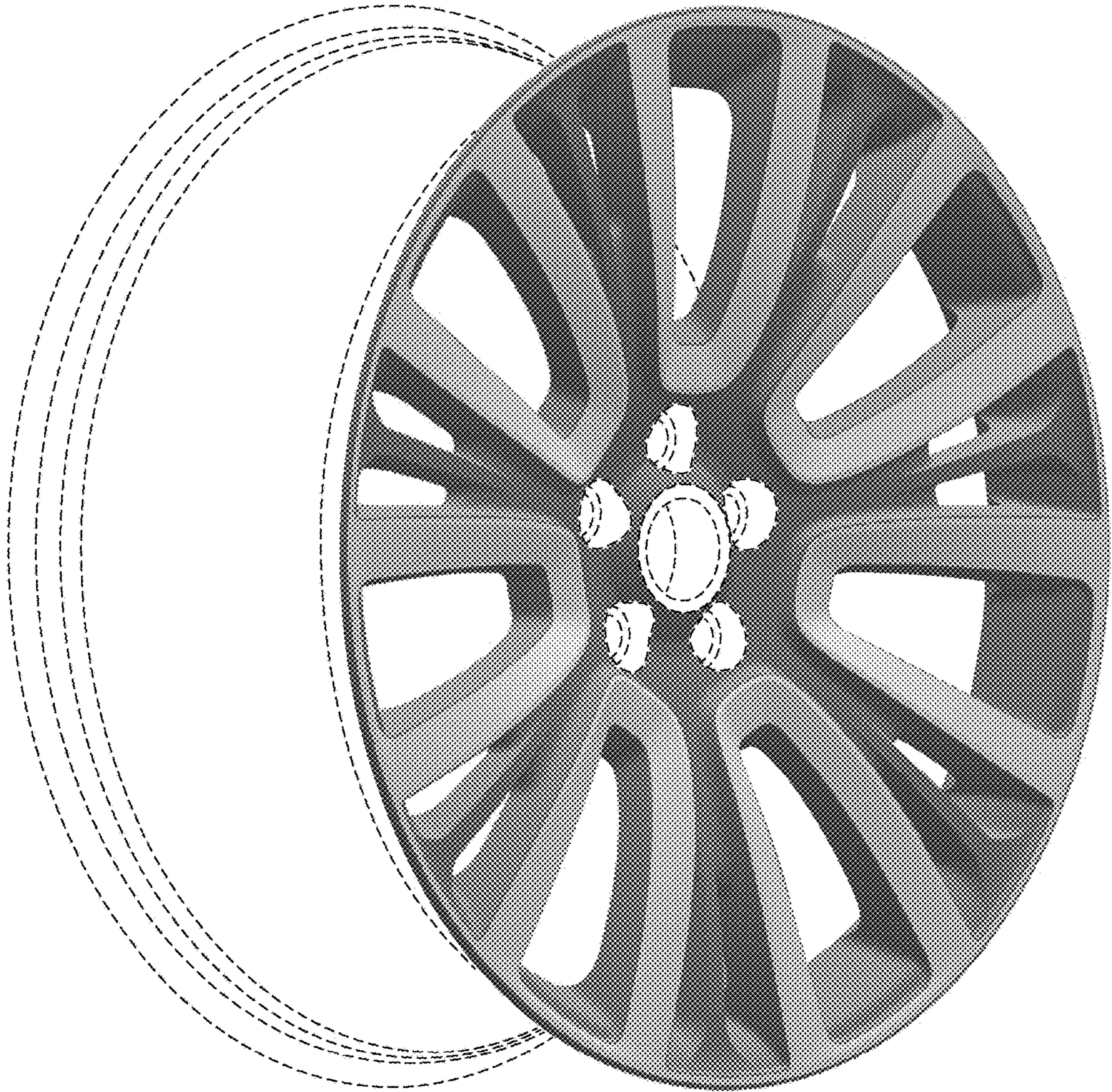


FIG. 1

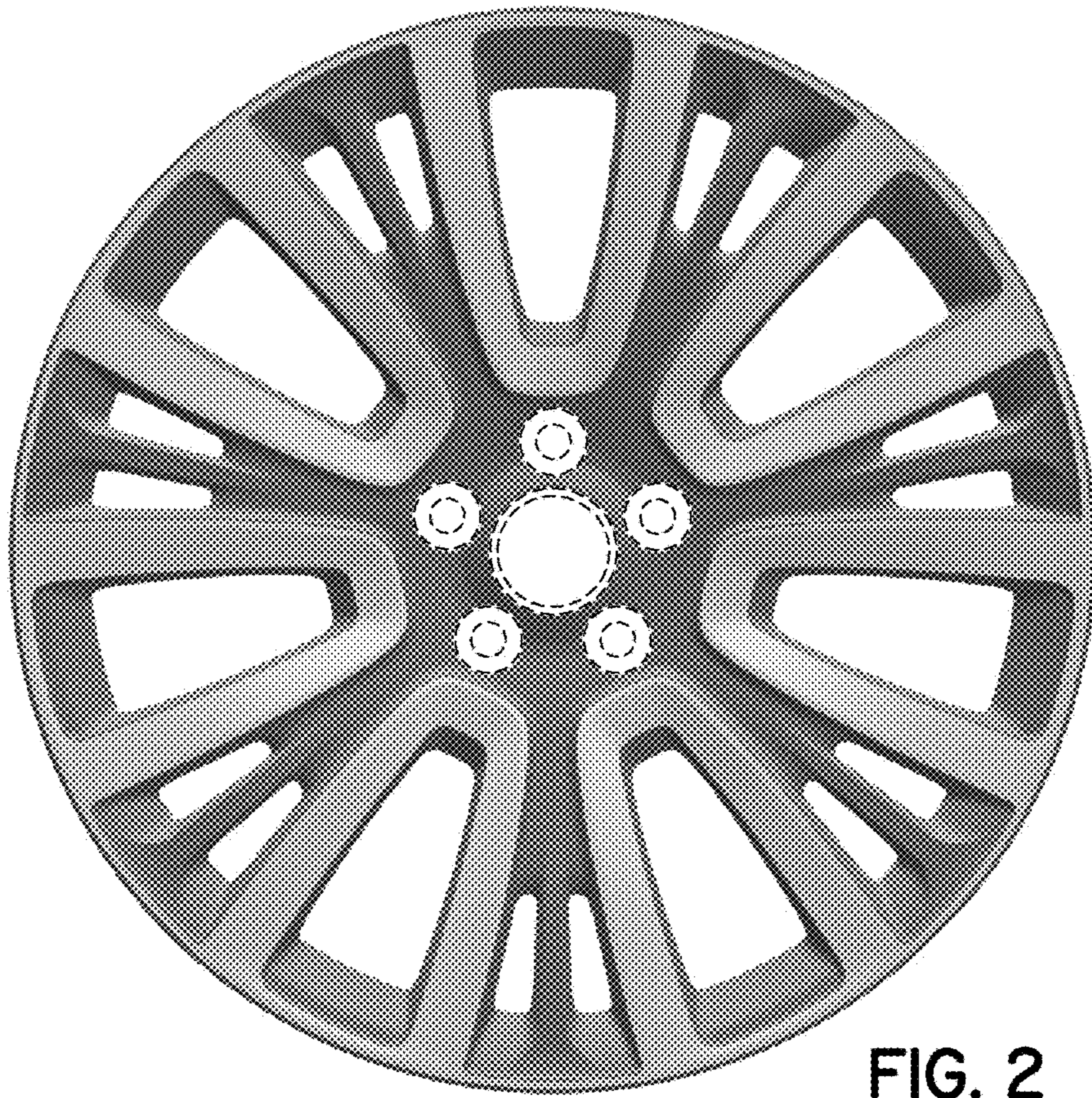


FIG. 2

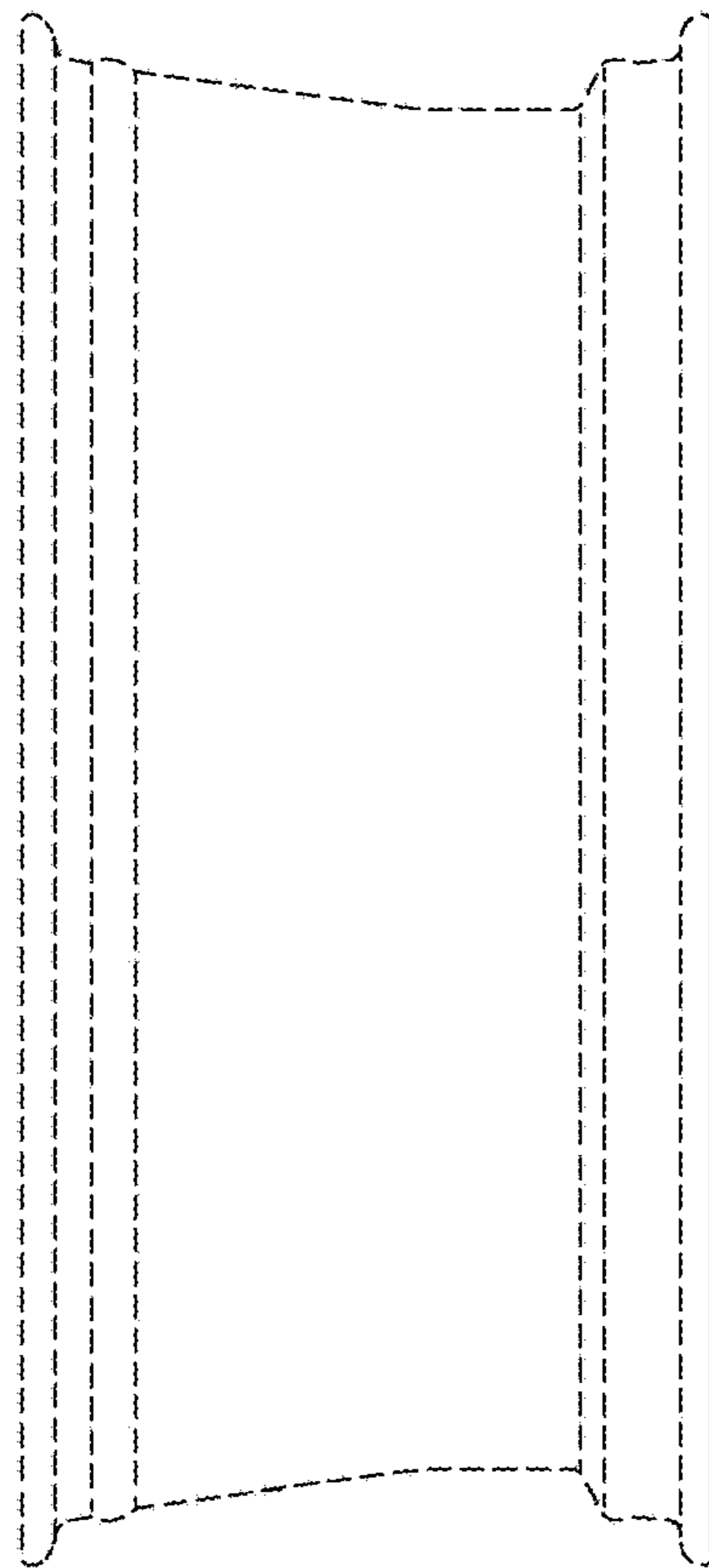


FIG. 3