



US00D847064S

(12) **United States Design Patent**  
**Egan**

(10) **Patent No.:** **US D847,064 S**

(45) **Date of Patent:** **\*\* Apr. 30, 2019**

(54) **WHEEL**

(71) Applicant: **Jaguar Land Rover Limited**, Whitley,  
Coventry (GB)

(72) Inventor: **Robert Egan**, Coventry (GB)

(73) Assignee: **Jaguar Land Rover Limited**, Whitley,  
Coventry (GB)

(\*\*) Term: **15 Years**

(21) Appl. No.: **29/622,920**

(22) Filed: **Oct. 20, 2017**

(30) **Foreign Application Priority Data**

Apr. 21, 2017 (EM) ..... 003866979

(51) **LOC (11) Cl.** ..... **12-16**

(52) **U.S. Cl.**  
USPC ..... **D12/209**

(58) **Field of Classification Search**

USPC ..... D12/204–213  
CPC .... B60B 7/00; B60B 7/02; B60B 7/04; B60B  
7/01; B60B 7/06; B60B 3/04; B60B 1/00;  
B60B 3/10; B60B 1/10; B60B 1/08;  
B60B 3/06; B60B 1/12; B60B 3/02

See application file for complete search history.

(56) **References Cited**

**U.S. PATENT DOCUMENTS**

|              |         |                 |         |
|--------------|---------|-----------------|---------|
| D567,738 S * | 4/2008  | Habib .....     | D12/211 |
| D622,649 S * | 8/2010  | Weil .....      | D12/209 |
| D624,862 S * | 10/2010 | Zhao .....      | D12/209 |
| D635,499 S * | 4/2011  | Nissl .....     | D12/211 |
| D655,659 S * | 3/2012  | Schweizer ..... | D12/209 |
| D666,953 S * | 9/2012  | Pollmann .....  | D12/209 |
| D671,476 S * | 11/2012 | Pinel .....     | D12/209 |
| D683,297 S * | 5/2013  | Juergens .....  | D12/211 |

|              |         |                 |         |
|--------------|---------|-----------------|---------|
| D683,685 S * | 6/2013  | Pollmann .....  | D12/211 |
| D706,694 S * | 6/2014  | Wheel .....     | D12/209 |
| D710,779 S * | 8/2014  | Zhang .....     | D12/209 |
| D720,274 S * | 12/2014 | Mielke .....    | D12/211 |
| D732,450 S * | 6/2015  | Guille .....    | D12/209 |
| D739,328 S * | 9/2015  | Buck .....      | D12/209 |
| D740,193 S * | 10/2015 | Battams .....   | D12/209 |
| D776,594 S * | 1/2017  | Rueckheim ..... | D12/209 |

\* cited by examiner

*Primary Examiner* — Stacia A Cadmus

(74) *Attorney, Agent, or Firm* — Wood Herron & Evans  
LLP

(57) **CLAIM**

The ornamental design for a wheel, as shown and described.

**DESCRIPTION**

FIG. 1 is a front left perspective view of a wheel for a vehicle according to the present invention.

FIG. 2 is a front view of the wheel shown in FIG. 1.

FIG. 3 is a left side view thereof, the right side being a mirror image thereof.

FIG. 4 is a front left perspective view of a wheel for a vehicle according to an alternative embodiment of the present invention.

FIG. 5 is a front right perspective view of the wheel shown in FIG. 4.

FIG. 6 is a front view thereof.

FIG. 7 is a left side view thereof, the right side being a mirror image thereof.

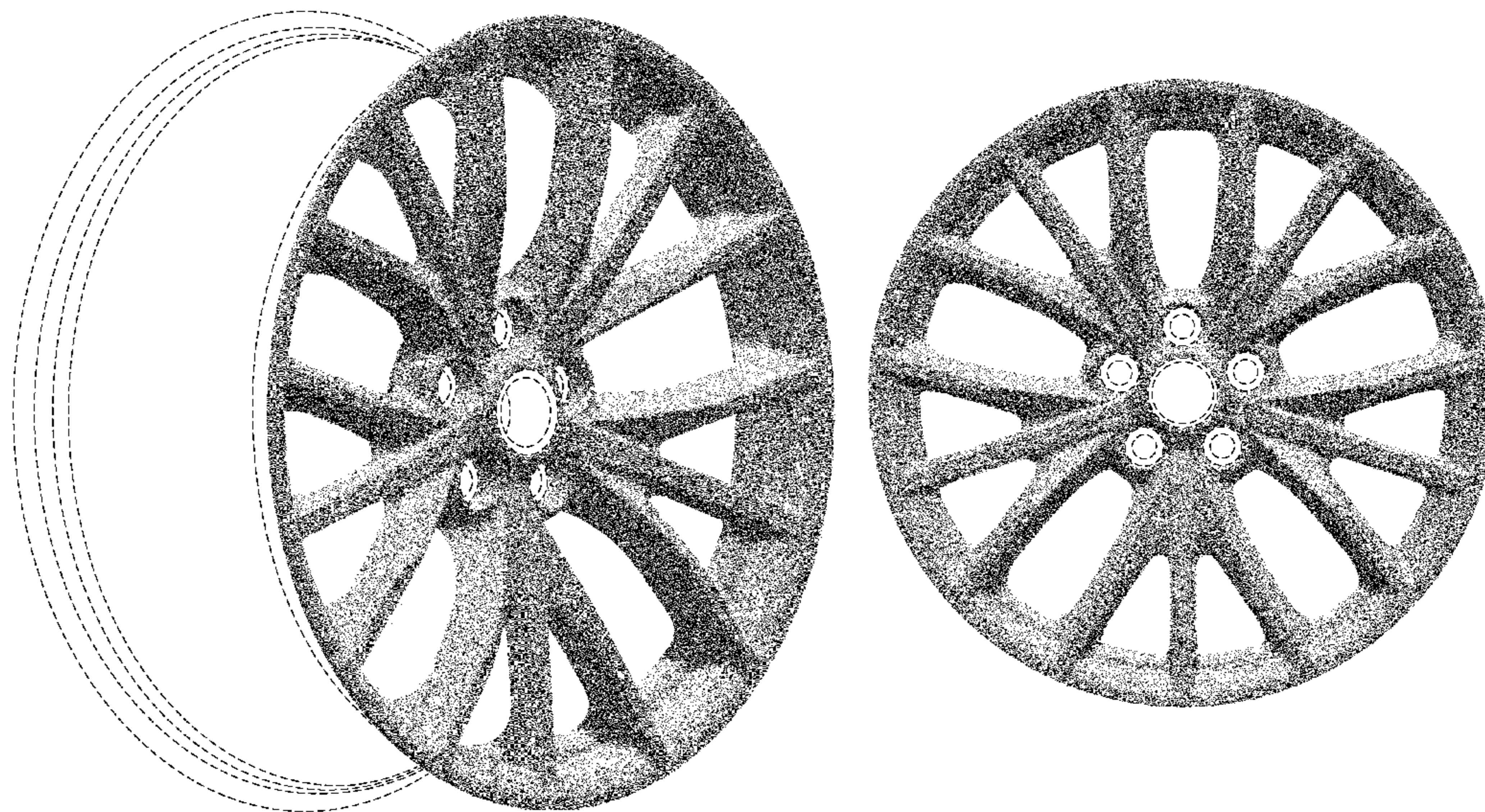
FIG. 8 is a rear view thereof.

FIG. 9 is a rear right perspective view thereof; and,

FIG. 10 is a rear left perspective view thereof.

In FIGS. 1-3, the broken lines show environmental structure and form no part of the claimed invention. More specifically, in FIGS. 1 and 2, the centrally located broken lines show wheel hub structure, including bolt holes.

**1 Claim, 7 Drawing Sheets**



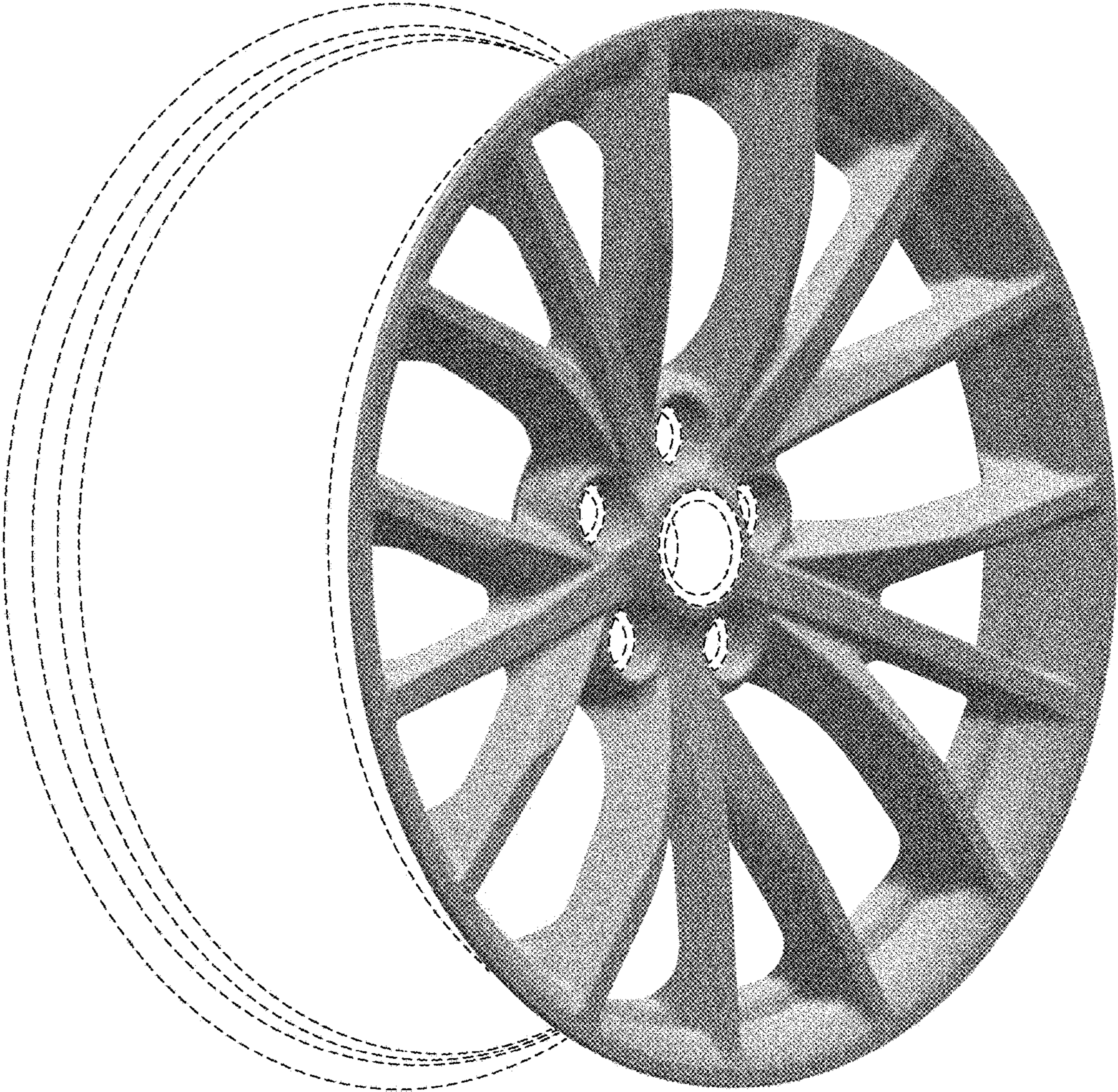


FIG. 1

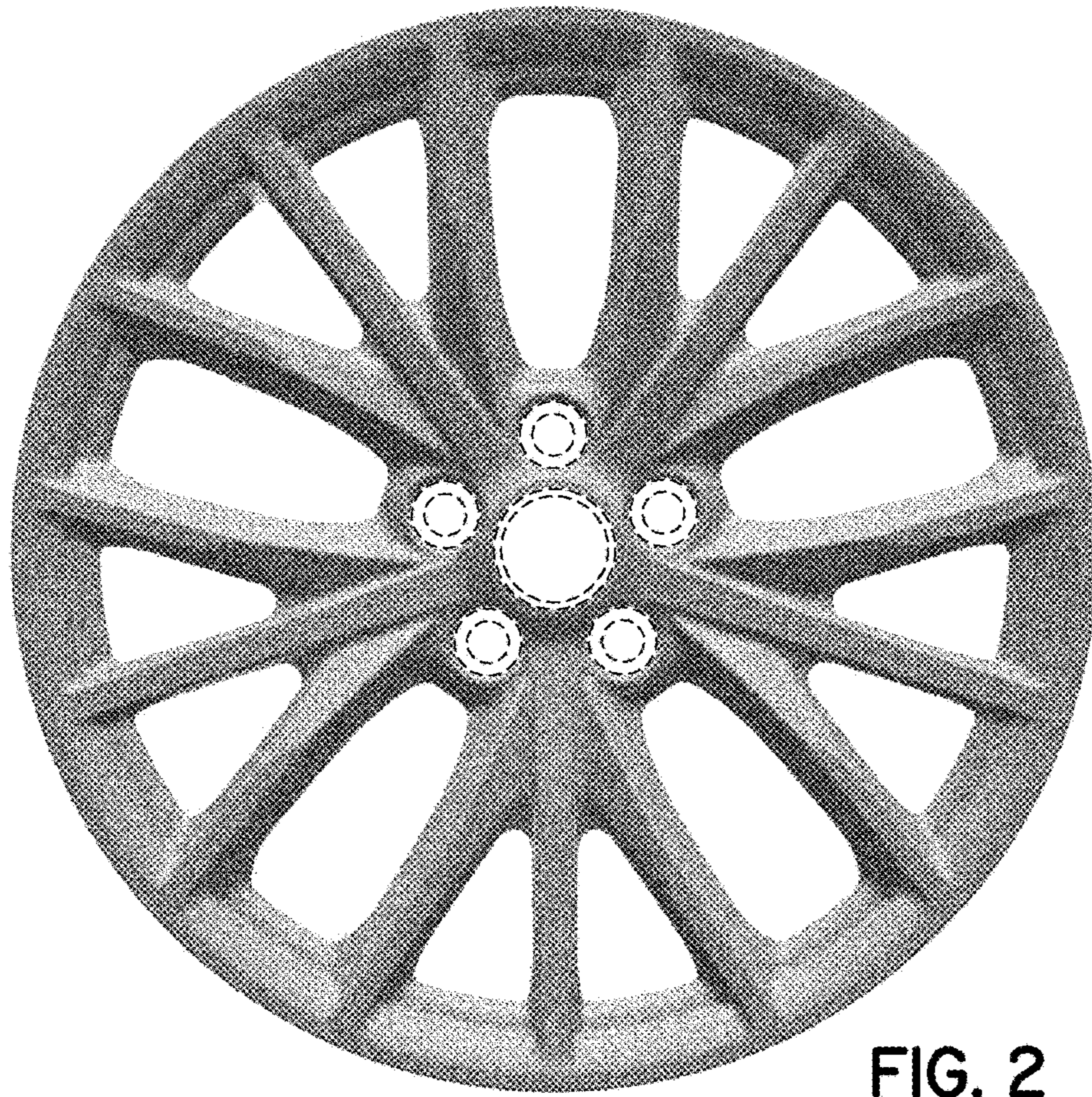


FIG. 2

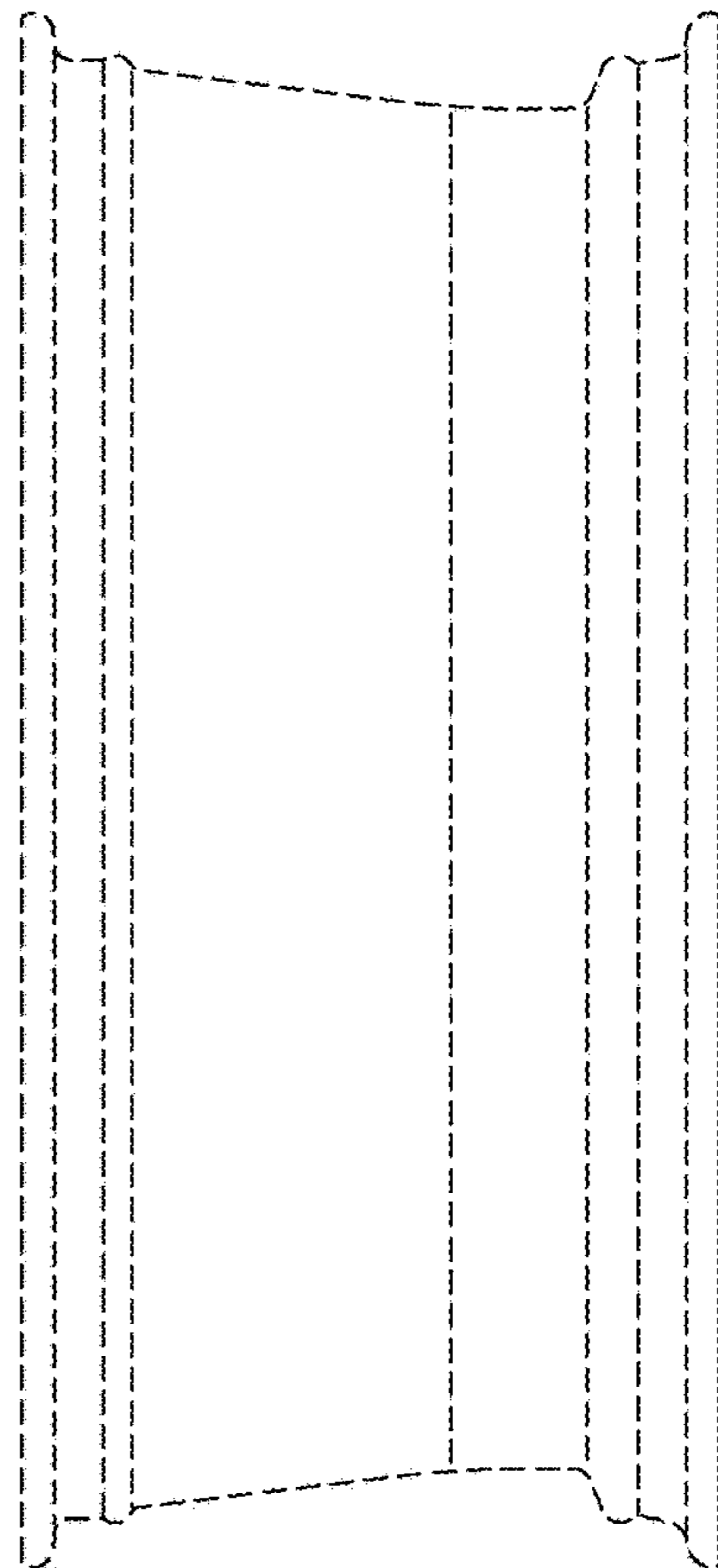


FIG. 3

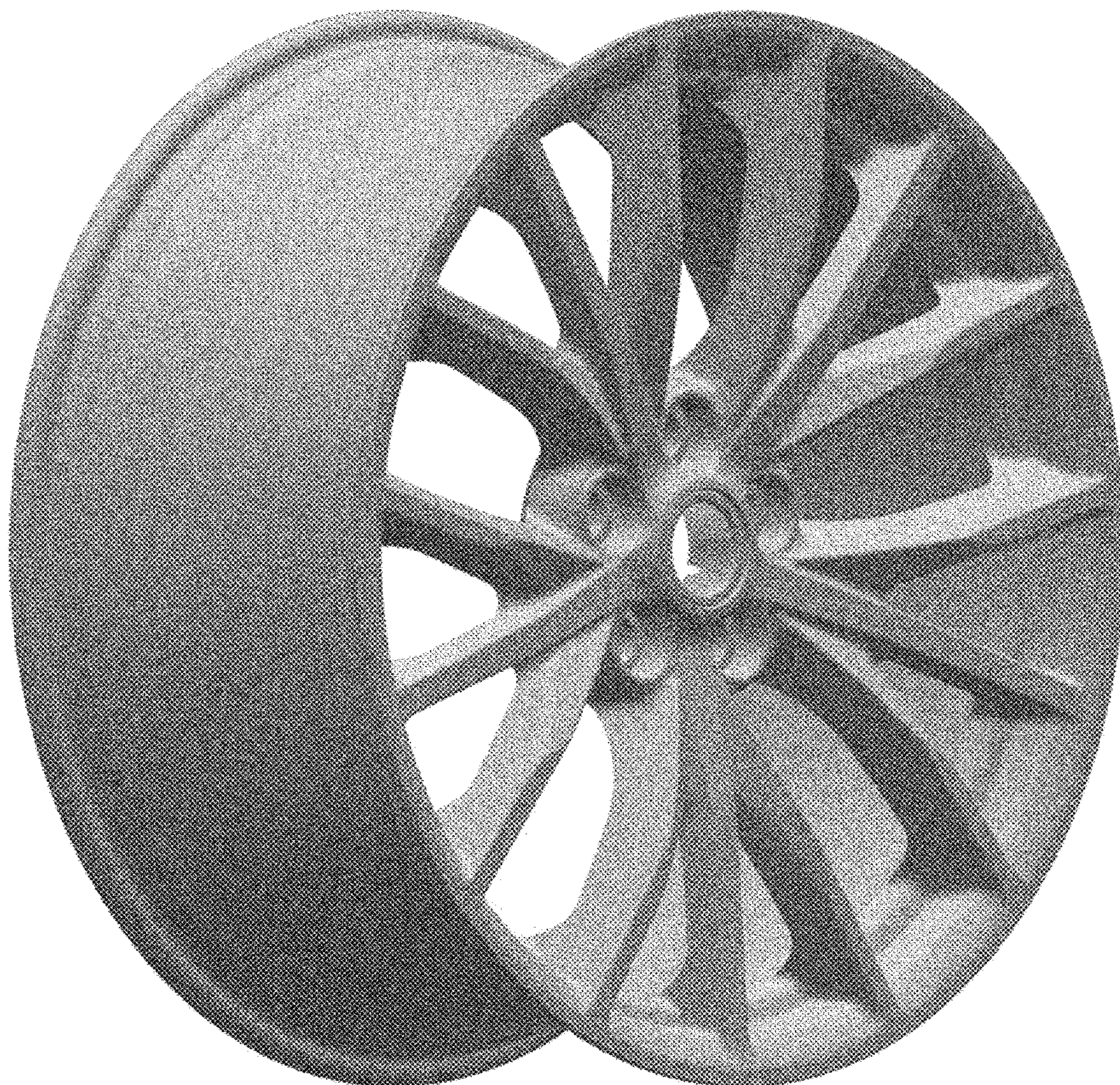


FIG. 4



FIG. 5

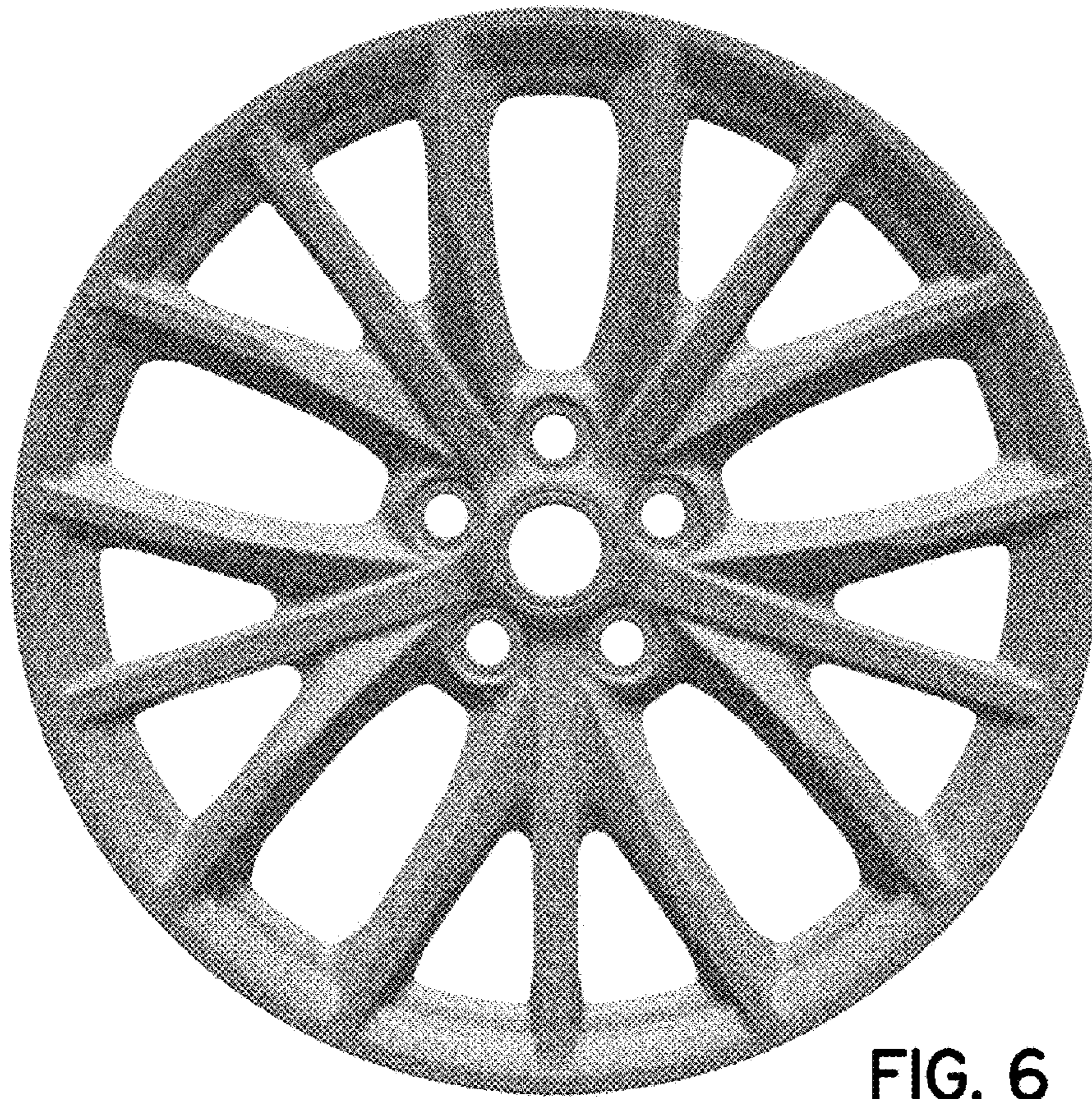


FIG. 6

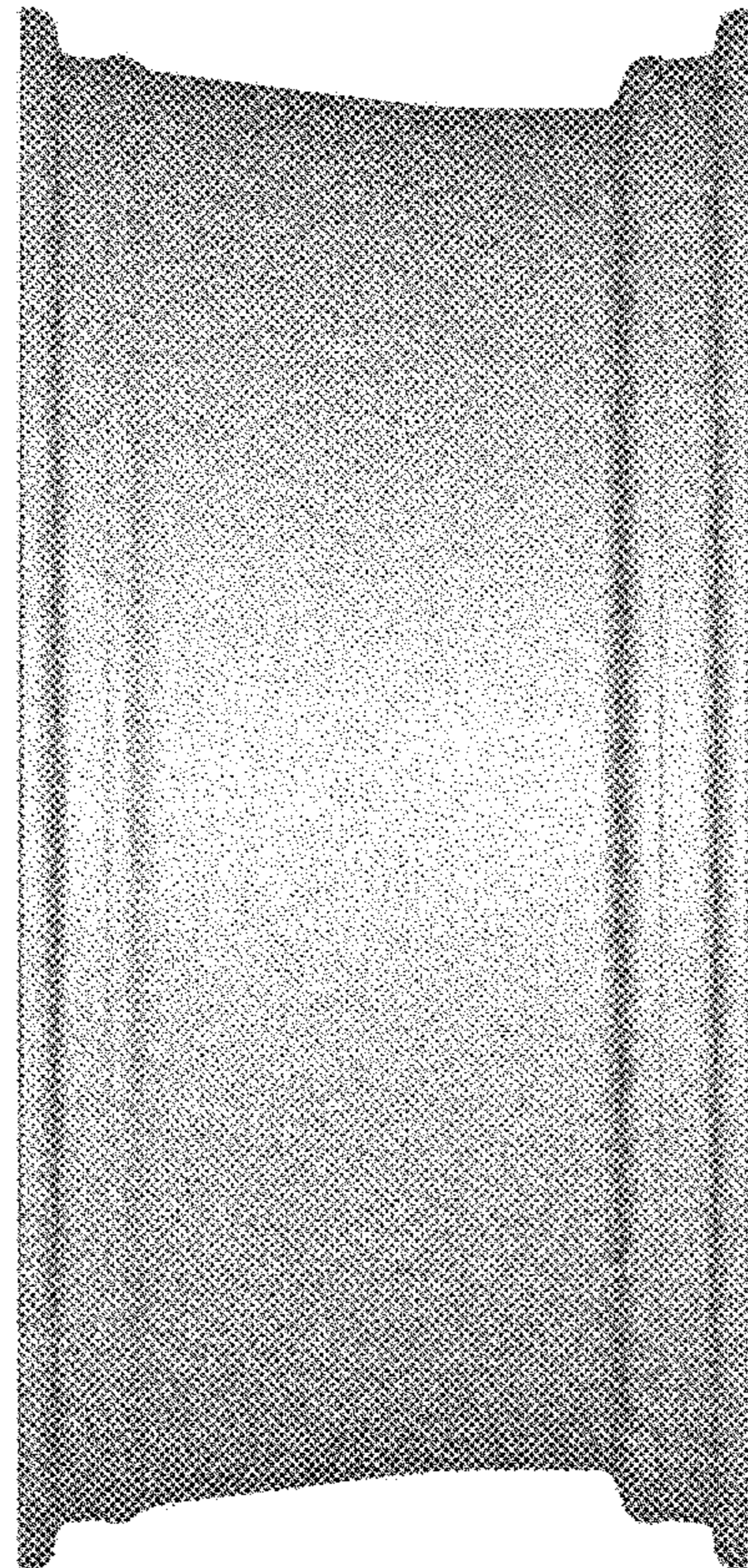


FIG. 7

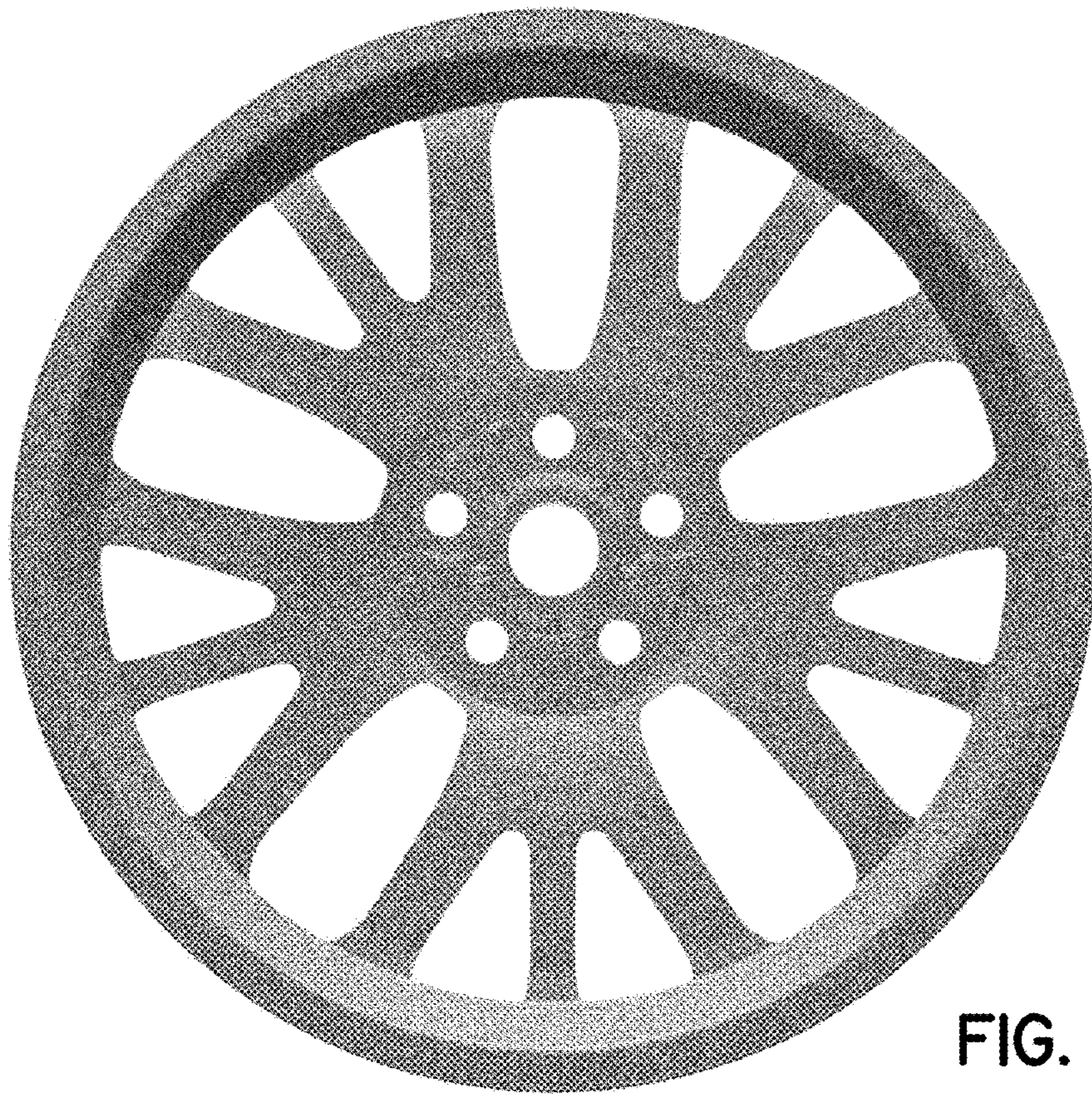


FIG. 8



FIG. 9



FIG. 10



UNITED STATES PATENT AND TRADEMARK OFFICE  
**CERTIFICATE OF CORRECTION**

PATENT NO. : D847,064 S  
APPLICATION NO. : 29/622920  
DATED : April 30, 2019  
INVENTOR(S) : Robert Eagan

Page 1 of 1

It is certified that error appears in the above-identified patent and that said Letters Patent is hereby corrected as shown below:

On the Title Page

Column 2, Under "Description"

Delete the descriptions of Figs. 4-10, in their entirety.

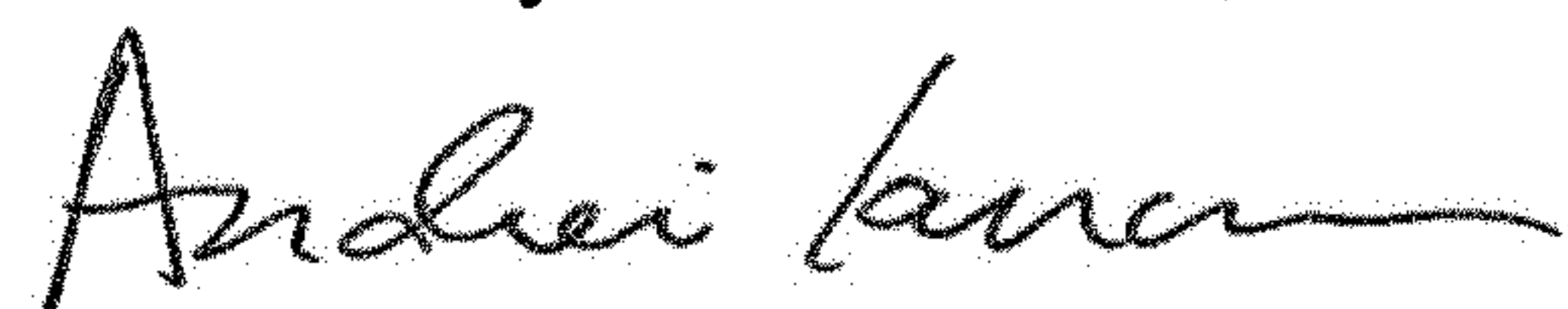
Column 2, Below the Description

Delete "1 Claim, 7 Drawing Sheets" and insert --1 Claim, 2 Drawing Sheets--.

In the Drawings

Cancel Figs. 4-10 shown on pages 3-7 of the drawings.

Signed and Sealed this  
Third Day of December, 2019



Andrei Iancu  
*Director of the United States Patent and Trademark Office*