



US00D847063S

(12) **United States Design Patent**
Kikuchi

(10) **Patent No.:** **US D847,063 S**

(45) **Date of Patent:** **** Apr. 30, 2019**

- (54) **WHEEL FOR AN AUTOMOBILE**
- (71) Applicant: **Subaru Corporation**, Tokyo (JP)
- (72) Inventor: **Kouta Kikuchi**, Tokyo (JP)
- (73) Assignee: **Subaru Corporation**, Tokyo (JP)
- (**) Term: **15 Years**

- (21) Appl. No.: **29/607,999**
- (22) Filed: **Jun. 19, 2017**

(30) **Foreign Application Priority Data**

Dec. 19, 2016 (JP) 2016-027419

(51) **LOC (11) Cl.** **12-16**

(52) **U.S. Cl.**
USPC **D12/209**

(58) **Field of Classification Search**
USPC D12/204–213; D21/533, 561, 563
CPC B60B 7/00; B60B 7/02; B60B 7/04; B60B
7/06; B60B 3/02; B60B 3/04; B60B 3/06;
B60B 3/10; B60B 1/00; B60B 1/08;
B60B 1/10; B60B 1/12
See application file for complete search history.

(56) **References Cited**

U.S. PATENT DOCUMENTS

- D571,704 S * 6/2008 Kahn D12/211
- D597,015 S * 7/2009 Juergens D12/211
- D660,769 S * 5/2012 Pollmann D12/211
- D661,239 S * 6/2012 Pollmann D12/209
- D713,773 S * 9/2014 Scheinhutte D12/209

- D720,272 S * 12/2014 Rueckheim D12/209
- D723,990 S * 3/2015 Muntada Roura D12/209
- D764,370 S * 8/2016 Chung D12/209
- D778,799 S * 2/2017 Gallert D12/211
- D786,766 S * 5/2017 Rueckheim D12/209
- D819,538 S * 6/2018 Badstuebner D12/211
- D828,264 S * 9/2018 Owens D12/209
- D830,933 S * 10/2018 Zhao D12/209

* cited by examiner

Primary Examiner — Sheryl Lane

Assistant Examiner — Calvin E Vansant

(74) *Attorney, Agent, or Firm* — Schiff Hardin LLP

(57) **CLAIM**

I claim the ornamental design for a wheel for an automobile thereof, as shown and described.

DESCRIPTION

FIG. 1 is a front perspective view for a “wheel for an automobile” showing my new design, FIG. 2 is a rear perspective view thereof, FIG. 3 is a front view thereof, FIG. 4 is a rear view thereof, FIG. 5 is a top view thereof, FIG. 6 is a bottom view thereof, FIG. 7 is a left-side view thereof, FIG. 8 is a right-side view thereof, FIG. 9 is an enlarged view of an end view cut the 9-9 line of FIG. 3 thereof, and, FIG. 10 is an enlarged view of an end view cut the 10-10 line of FIG. 3 thereof.

1 Claim, 7 Drawing Sheets

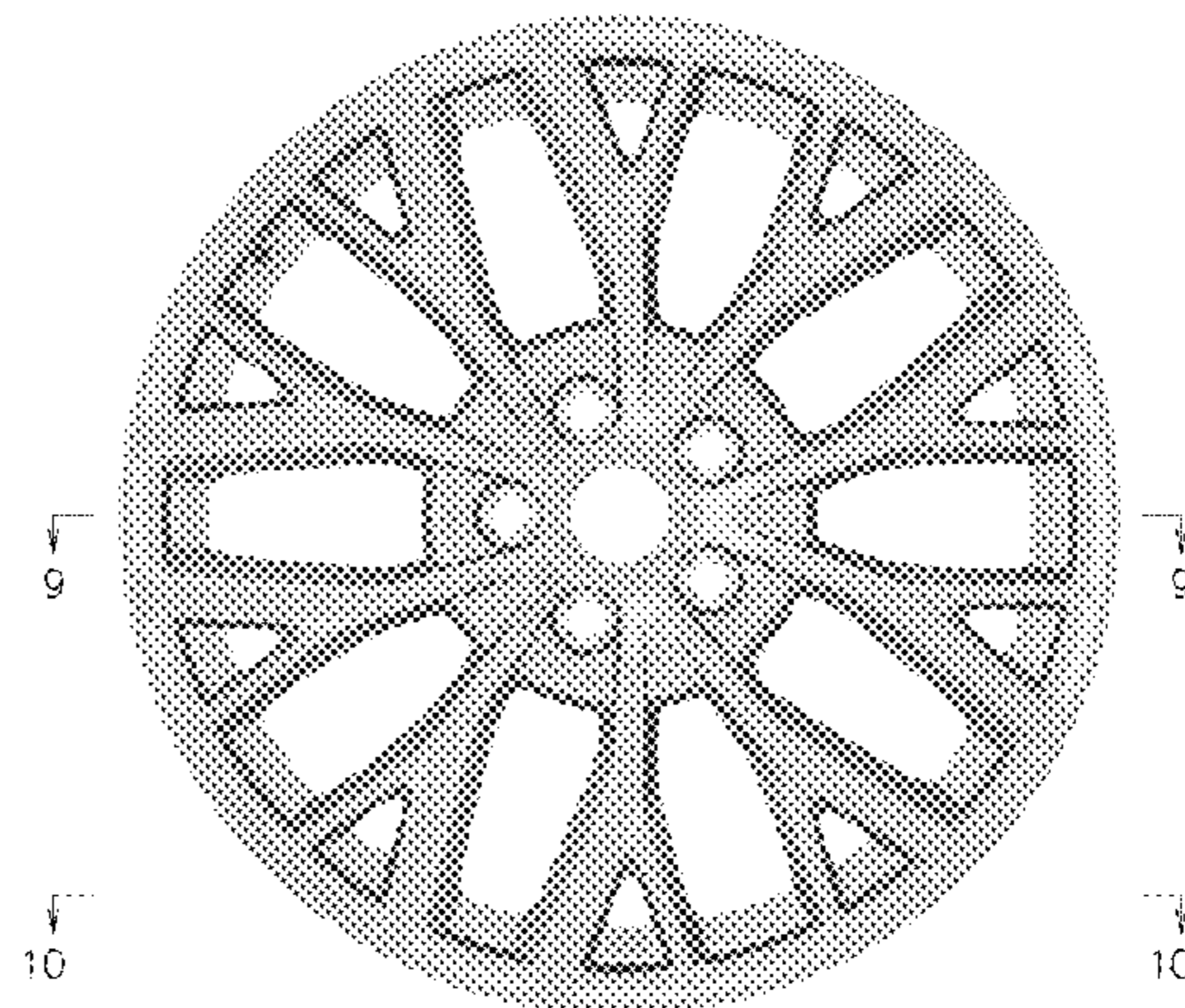
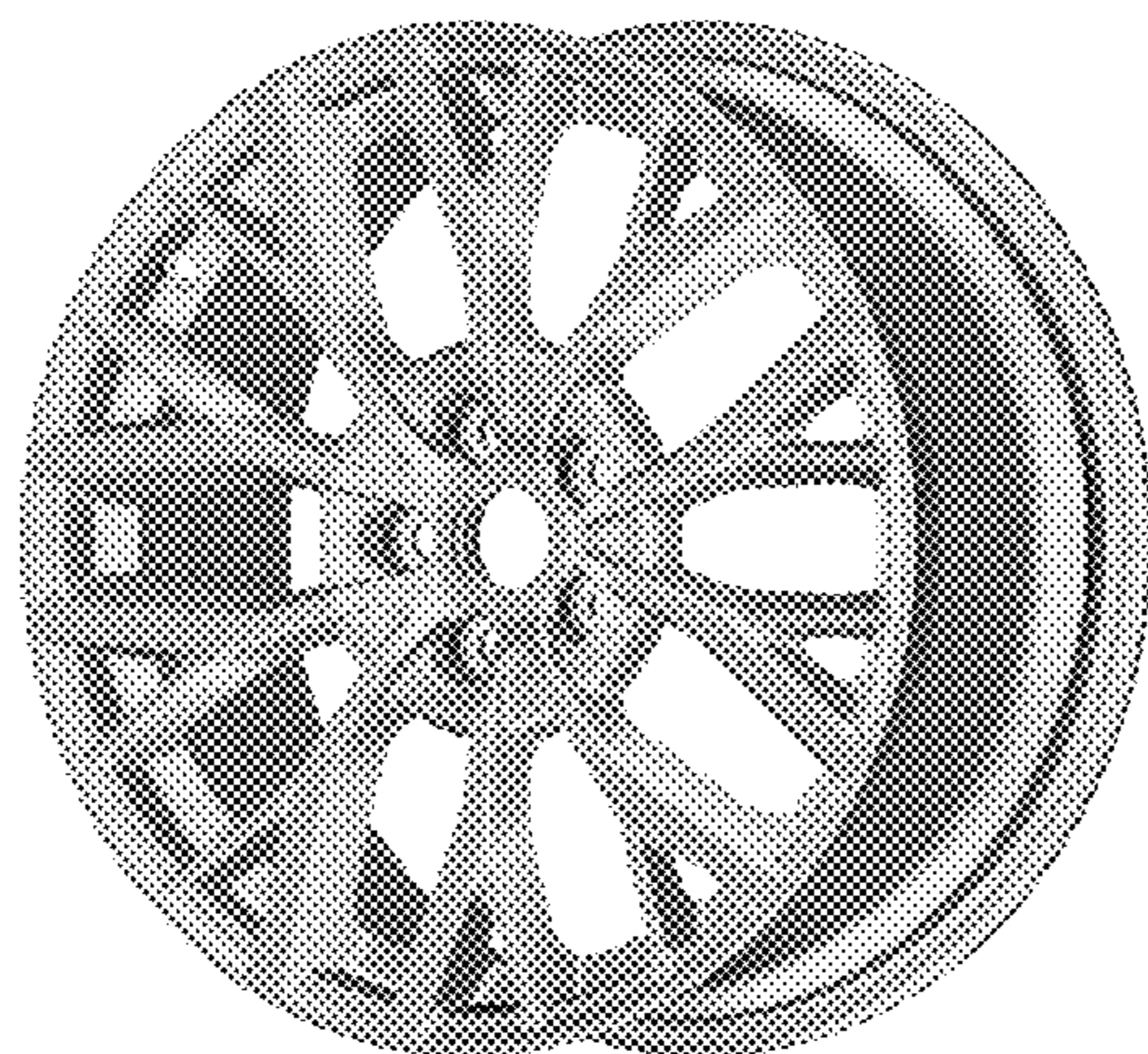


Fig. 1



Fig. 2



Fig. 3

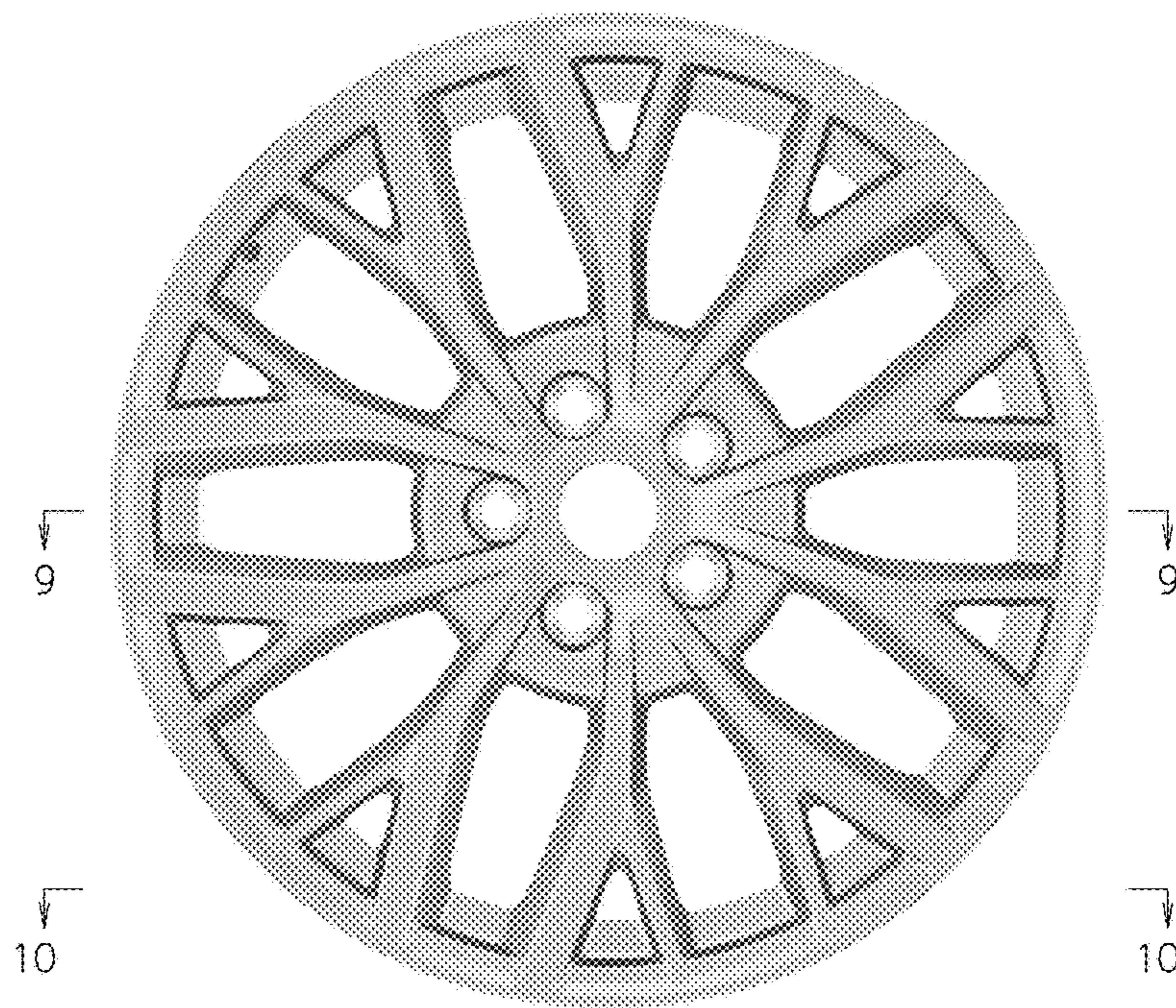


Fig. 4



Fig. 5

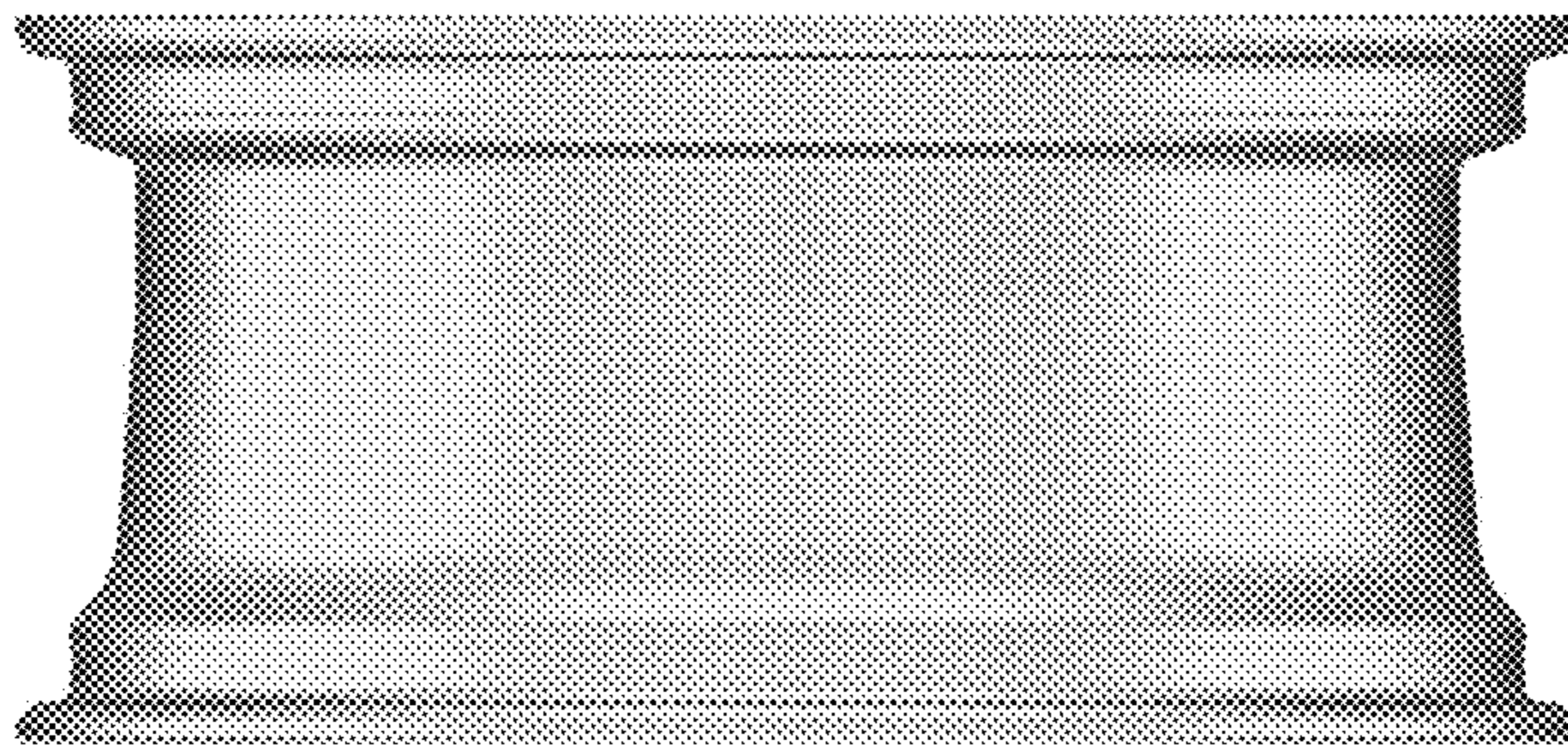


Fig. 6

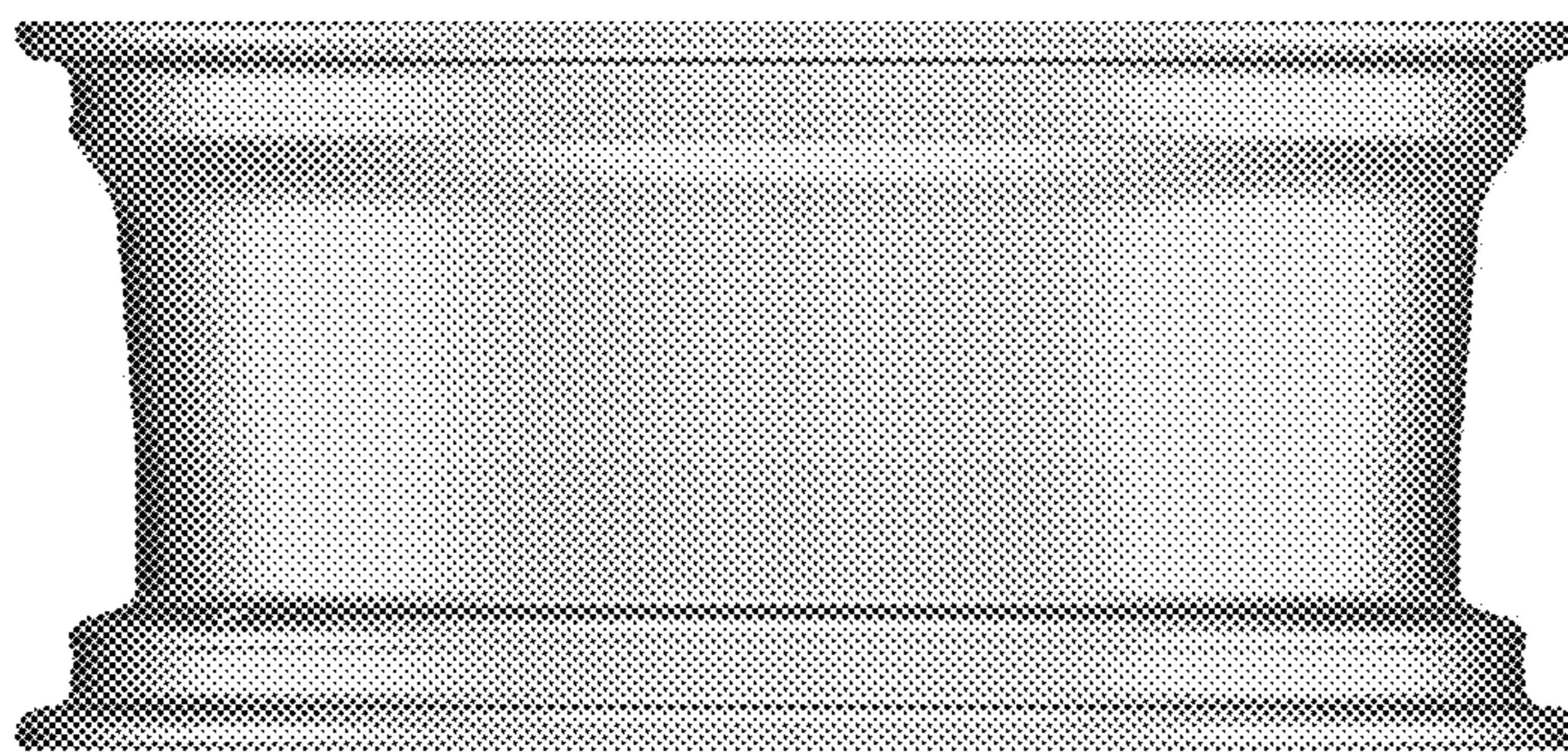


Fig. 7

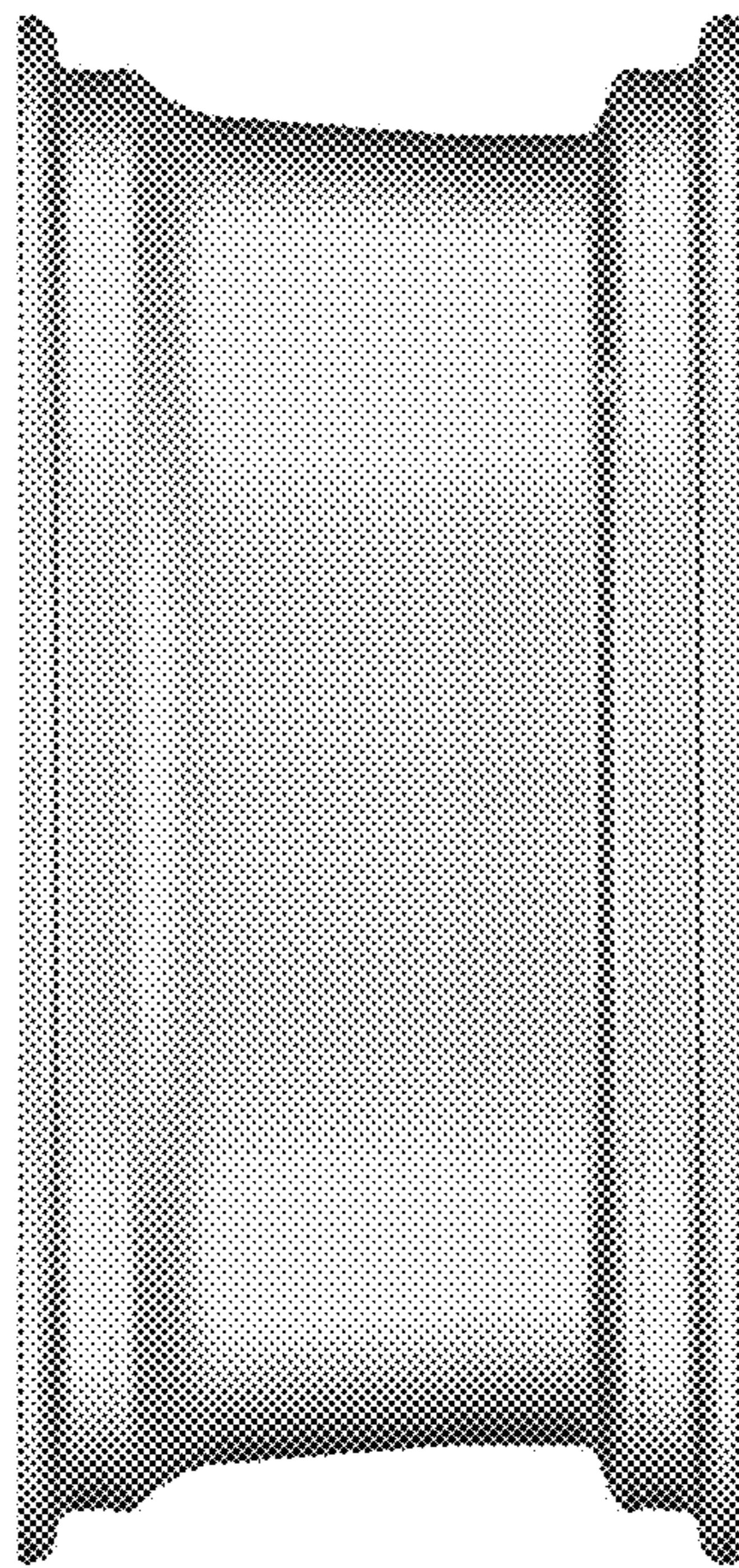


Fig. 8

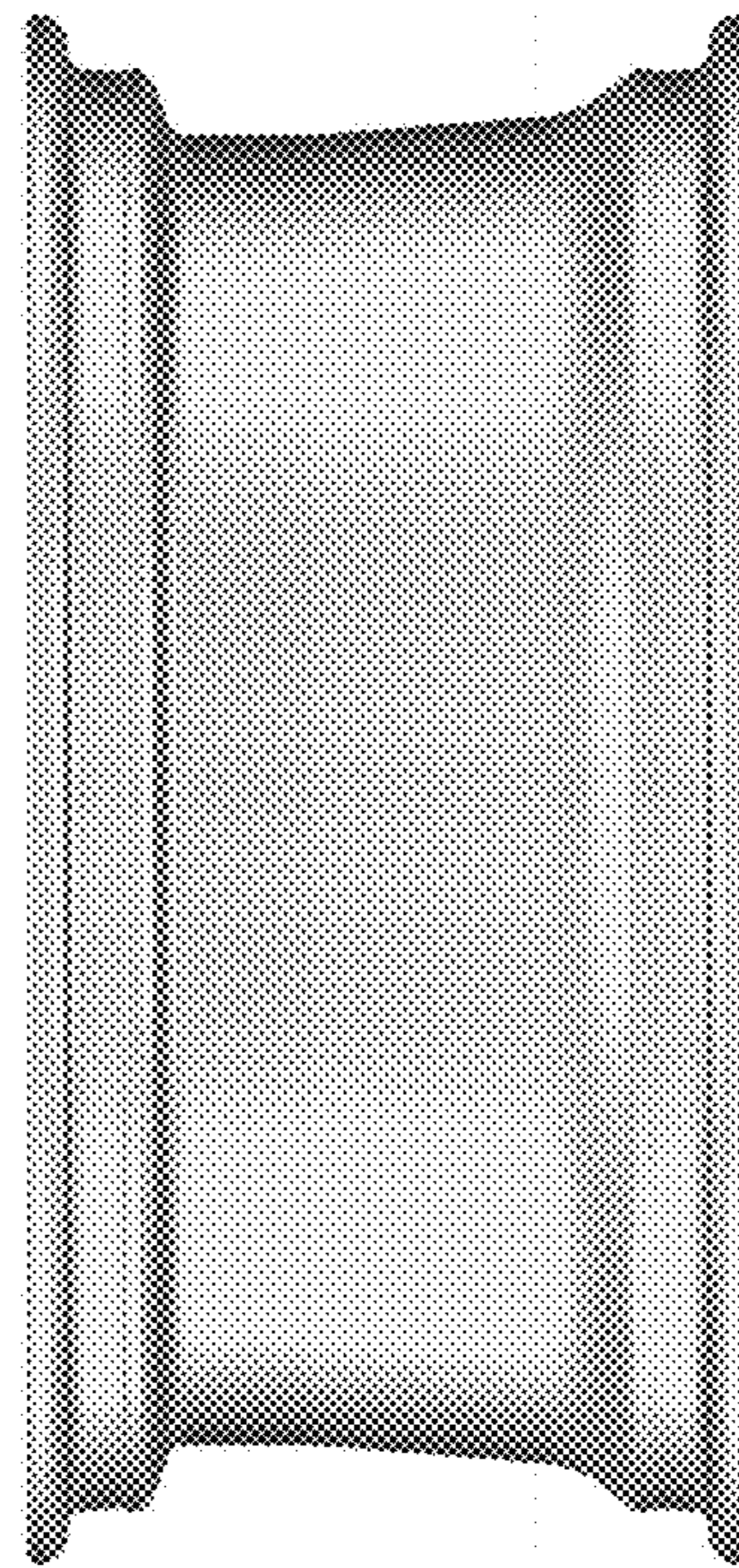


Fig. 9

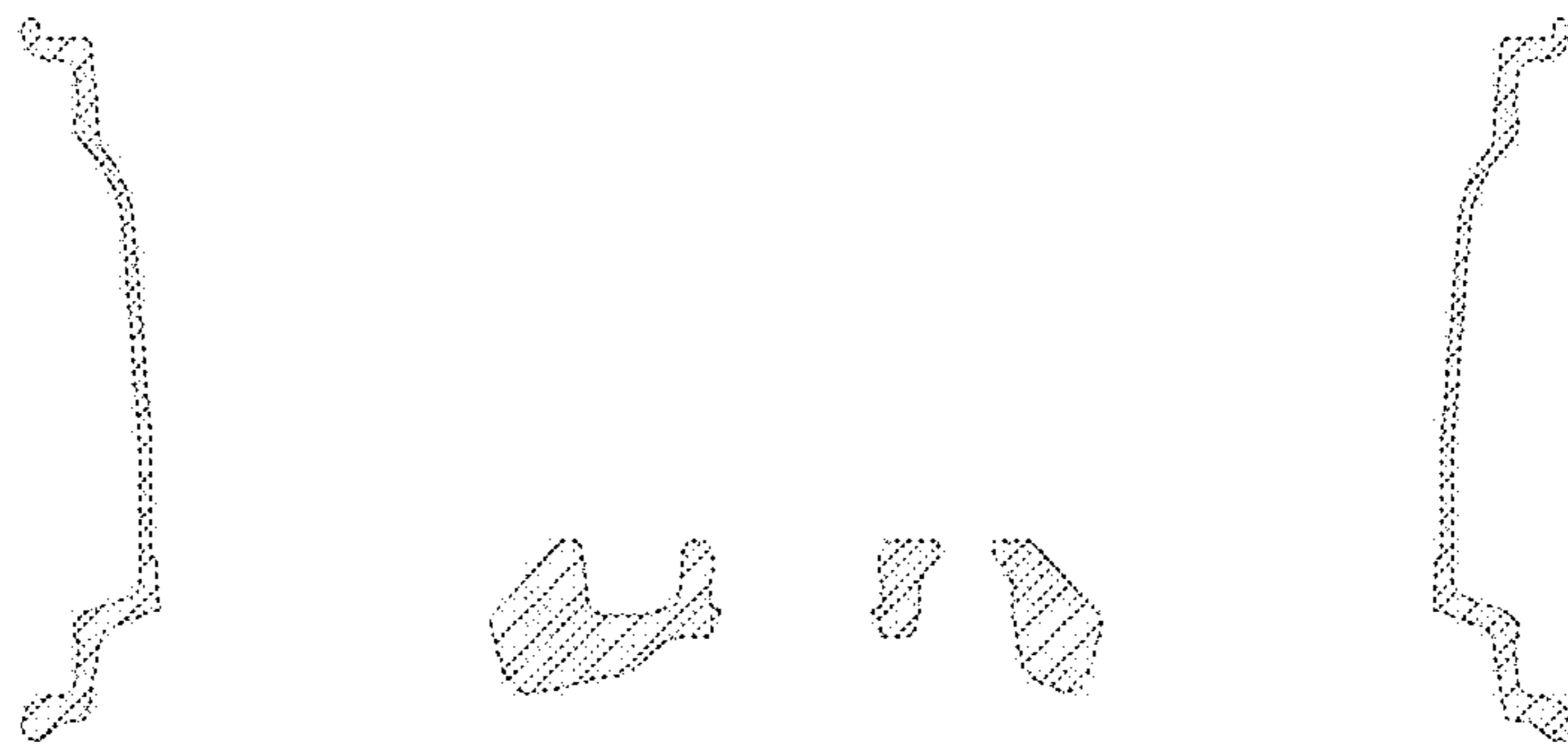


Fig. 10

