



US00D847062S

(12) **United States Design Patent**
Rolfs et al.

(10) **Patent No.:** **US D847,062 S**

(45) **Date of Patent:** **** Apr. 30, 2019**

(54) **AUTOMOBILE WHEEL**

(71) Applicants: **Jeremy Rolfs**, Sylvan Lake, MI (US);
Nicholas Vardis, Sylvan Lake, MI (US)

(72) Inventors: **Jeremy Rolfs**, Sylvan Lake, MI (US);
Nicholas Vardis, Sylvan Lake, MI (US)

(73) Assignee: **FCA US LLC**, Auburn Hills, MI (US)

(**) Term: **15 Years**

(21) Appl. No.: **29/601,907**

(22) Filed: **Apr. 27, 2017**

(51) **LOC (11) Cl.** **12-16**

(52) **U.S. Cl.**
USPC **D12/209**

(58) **Field of Classification Search**
USPC D12/204–213; D21/533, 561, 563
CPC B60B 7/00; B60B 7/02; B60B 7/04; B60B
7/06; B60B 3/02; B60B 3/04; B60B 3/06;
B60B 3/10; B60B 1/00; B60B 1/08;
B60B 1/10; B60B 1/12
See application file for complete search history.

(56) **References Cited**

U.S. PATENT DOCUMENTS

D509,783 S * 9/2005 Fitzgerald D12/211
D526,268 S * 8/2006 Pfeiffer D12/211

D667,355 S * 9/2012 Gotschke D12/209
D709,020 S * 7/2014 Chung D12/211
D742,799 S * 11/2015 Zhao D12/211
D766,804 S * 9/2016 Goodrich D12/209
D784,235 S * 4/2017 Kim D12/211
D785,536 S * 5/2017 Liffick D12/211
D787,406 S * 5/2017 Piscitelli D12/209
D791,038 S * 7/2017 Piscitelli D12/209
D792,829 S * 7/2017 Kim D12/211
D810,648 S * 2/2018 Chung D12/209

* cited by examiner

Primary Examiner — Sheryl Lane

Assistant Examiner — Calvin E Vansant

(74) *Attorney, Agent, or Firm* — Ralph E. Smith

(57) **CLAIM**

The ornamental design for an automobile wheel, as shown and described.

DESCRIPTION

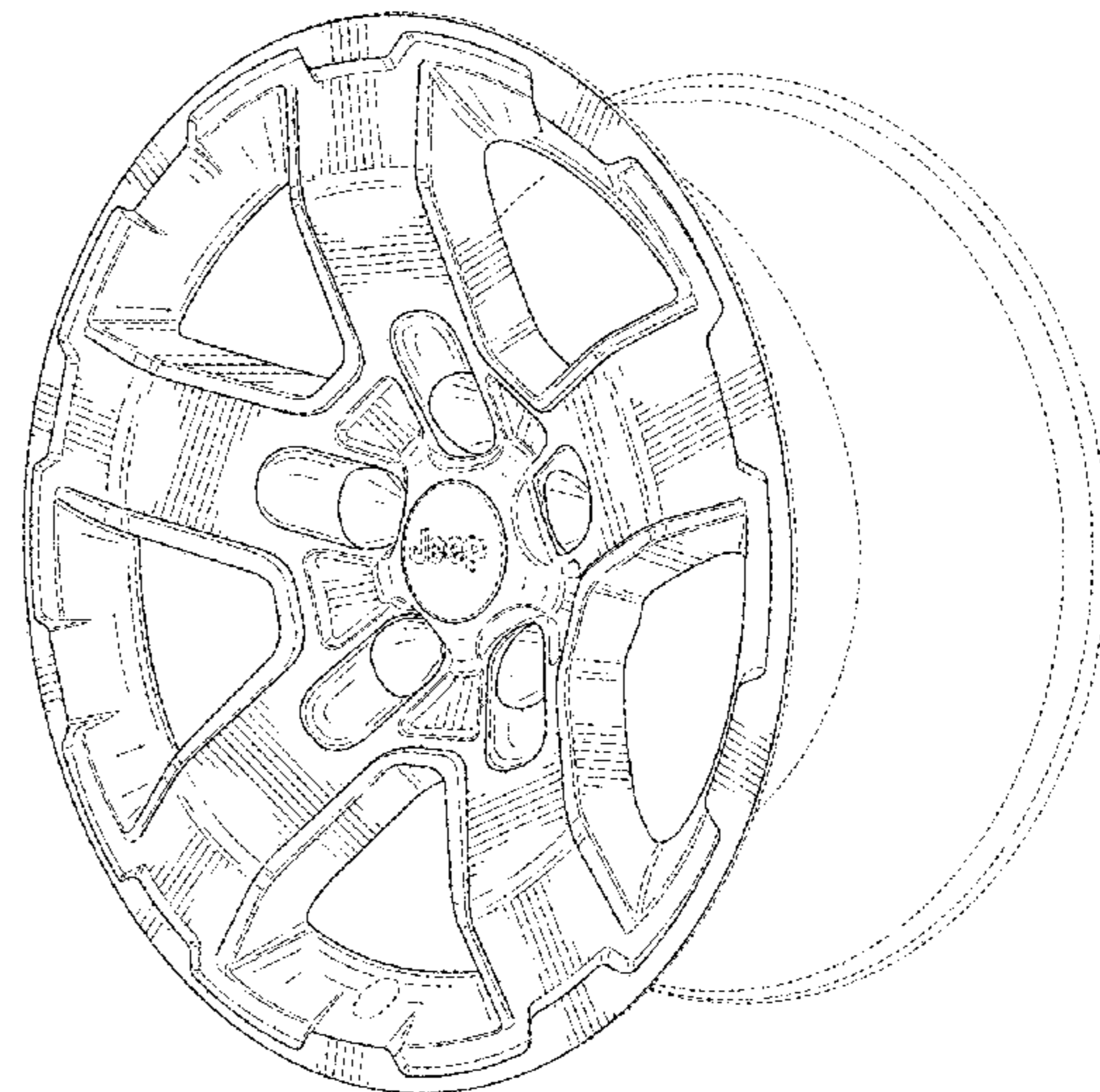
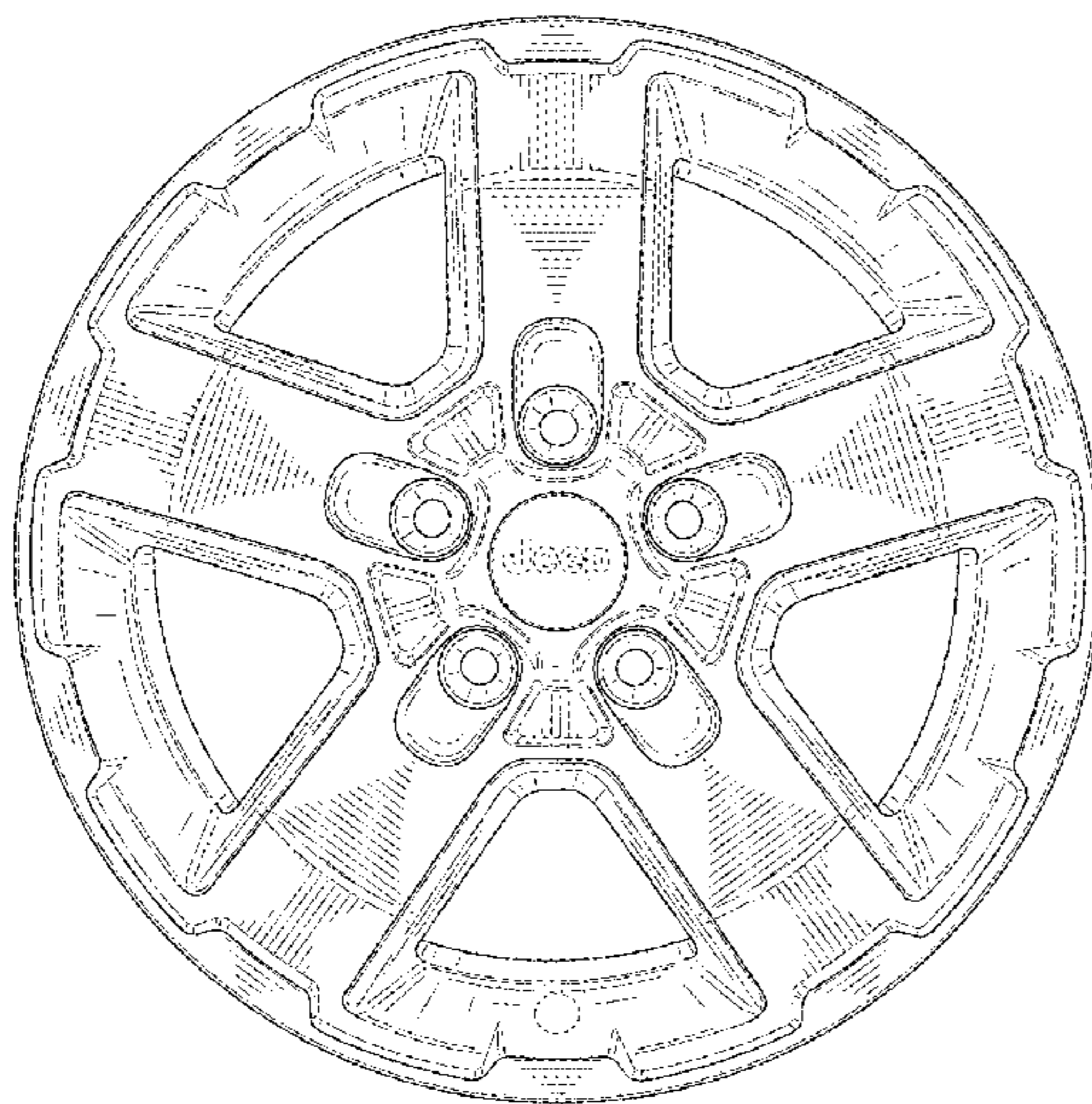
FIG. 1 is a front view of an automobile wheel showing our new design;

FIG. 2 is a left side perspective view thereof; and,

FIG. 3 is a right side perspective view.

It will be understood that the broken lines shown in the drawings illustrate portions of the automobile wheel that form no part of claimed design.

1 Claim, 3 Drawing Sheets



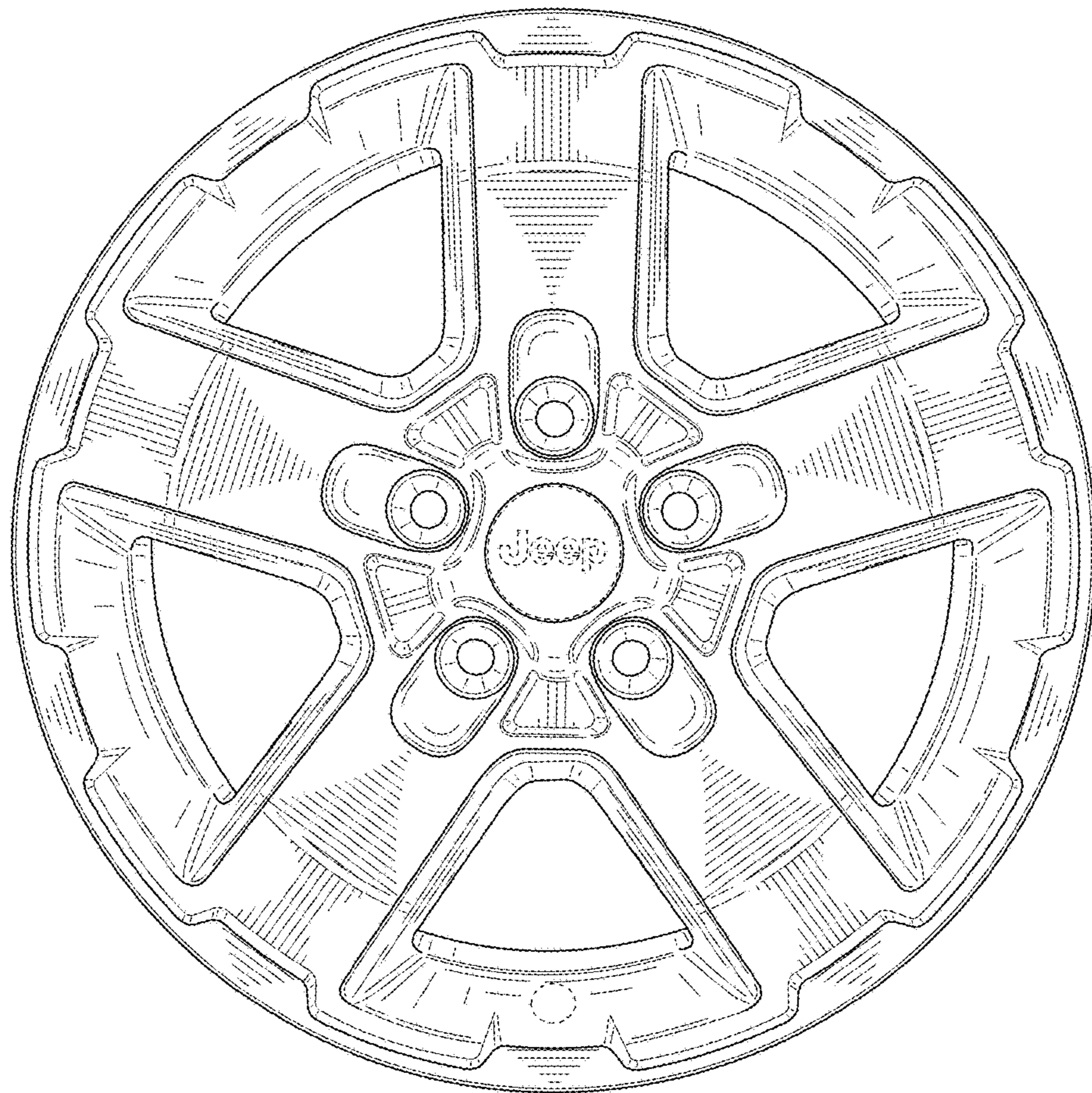


FIG. 1

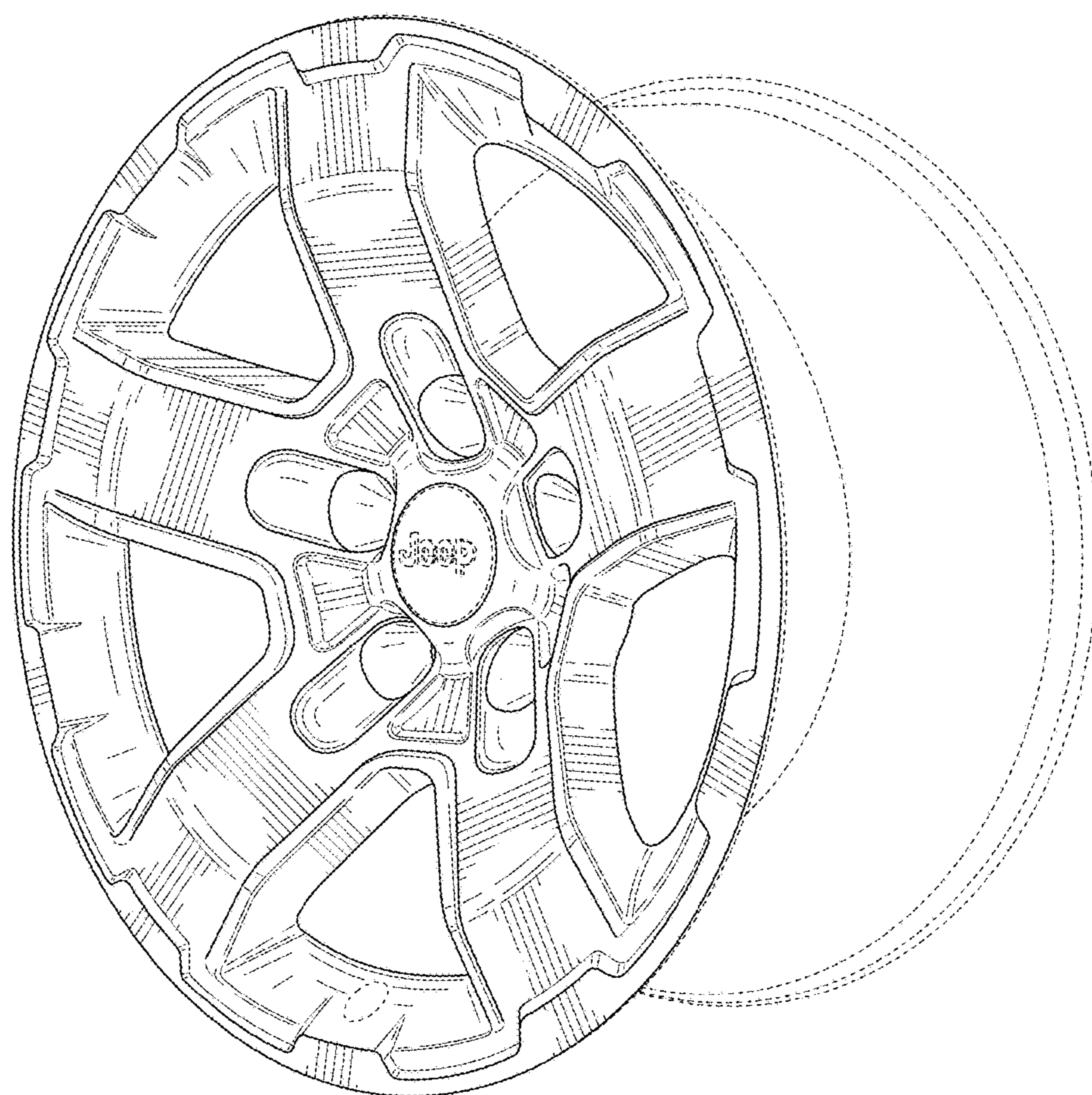


FIG. 2

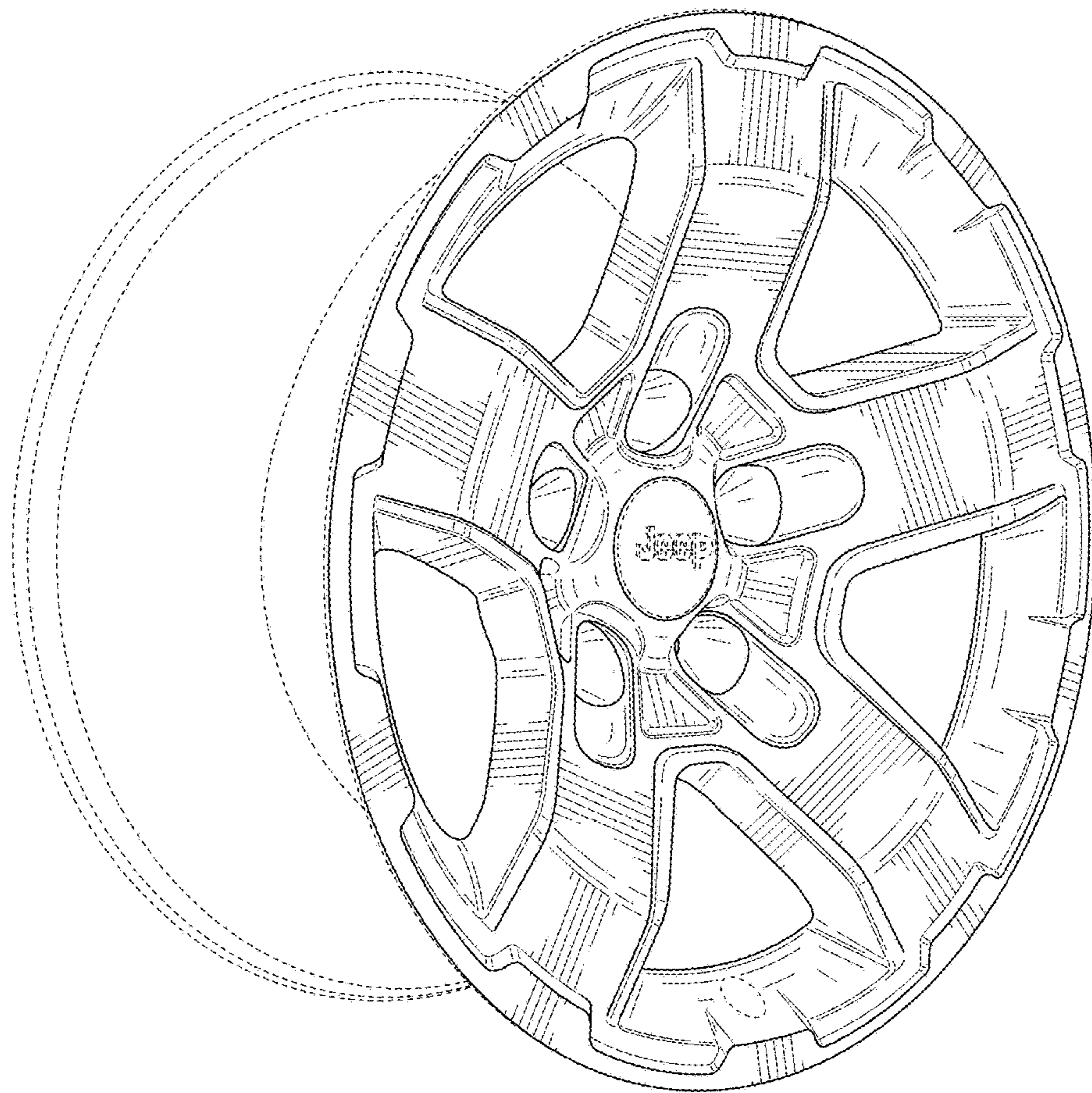


FIG. 3