



US00D847061S

(12) **United States Design Patent** (10) **Patent No.:** **US D847,061 S**  
**MacNeil et al.** (45) **Date of Patent:** **\*\* Apr. 30, 2019**

- (54) **HITCH STEP**
- (71) Applicant: **MACNEIL IP LLC**, Bolingbrook, IL (US)
- (72) Inventors: **David F. MacNeil**, Fort Lauderdale, FL (US); **Frederick W. Masanek, Jr.**, Barrington, IL (US)
- (73) Assignee: **MacNeil IP LLC**, Bolingbrook, IL (US)
- (\*\*) Term: **15 Years**
- (21) Appl. No.: **29/631,181**
- (22) Filed: **Dec. 28, 2017**

**Related U.S. Application Data**

- (63) Continuation-in-part of application No. 29/623,551, filed on Oct. 25, 2017, and a continuation-in-part of application No. 29/581,743, filed on Oct. 21, 2016, now Pat. No. Des. 815,003.
- (51) **LOC (11) Cl.** ..... **12-16**
- (52) **U.S. Cl.**  
USPC ..... **D12/203**
- (58) **Field of Classification Search**  
USPC ..... D12/203, 89, 98, 314, 162, 190, 196  
CPC .. B60R 3/002; B60R 3/02; B60R 3/00; B60R 3/005; B60R 3/007  
See application file for complete search history.

**References Cited**

**U.S. PATENT DOCUMENTS**

247,116 A	9/1881	Sawyer
287,870 A	11/1883	Sawyer
3,329,443 A	7/1967	Lowder et al.
3,408,665 A	11/1968	Harris
3,992,047 A	11/1976	Barenyi et al.
4,231,583 A	11/1980	Learn

D292,388 S	10/1987	Weiler	
D293,667 S *	1/1988	Weiler	..... D12/203
4,943,076 A	7/1990	Tripke	
D370,452 S *	6/1996	Beasley	..... D12/203

(Continued)

*Primary Examiner* — Michelle E. Wilson  
*Assistant Examiner* — Clese Moore, Jr.  
 (74) *Attorney, Agent, or Firm* — Perkins IP Law Group LLC; Jefferson Perkins

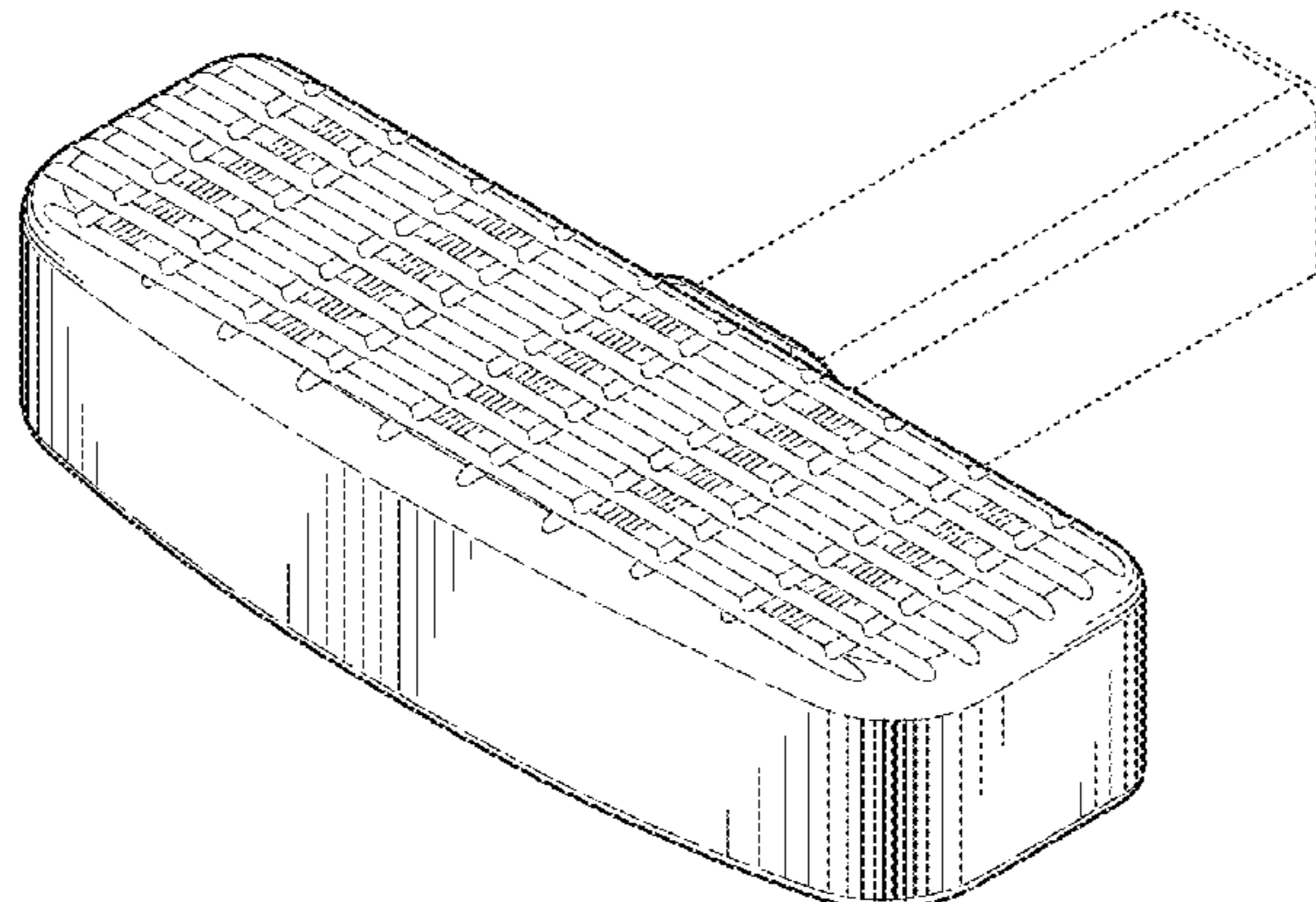
(57) **CLAIM**

We claim the ornamental design for a hitch step, as shown and described.

**DESCRIPTION**

FIG. 1 is a top rear perspective view of a first embodiment of our design;  
 FIG. 2 is a top front perspective view thereof;  
 FIG. 3 is a front view thereof;  
 FIG. 4 is a left side view thereof, a right side view being a mirror image of the left side view;  
 FIG. 5 is a top view thereof;  
 FIG. 6 is a rear view thereof;  
 FIG. 7 is a top rear perspective view of a second embodiment of our design;  
 FIG. 8 is a top front perspective view of the embodiment shown in FIG. 7;  
 FIG. 9 is a front view of the embodiment shown in FIG. 7;  
 FIG. 10 is a left side view of the embodiment shown in FIG. 7, a right side view being a mirror image of the left side view;  
 FIG. 11 is a top view of the embodiment shown in FIG. 7;  
 and,  
 FIG. 12 is a rear view of the embodiment shown in FIG. 7.  
 The bottom of the hitch step is unadorned and forms no portion of the claimed design. The broken lines shown illustrate environment that forms no part of the claimed design.

**1 Claim, 8 Drawing Sheets**



(56)

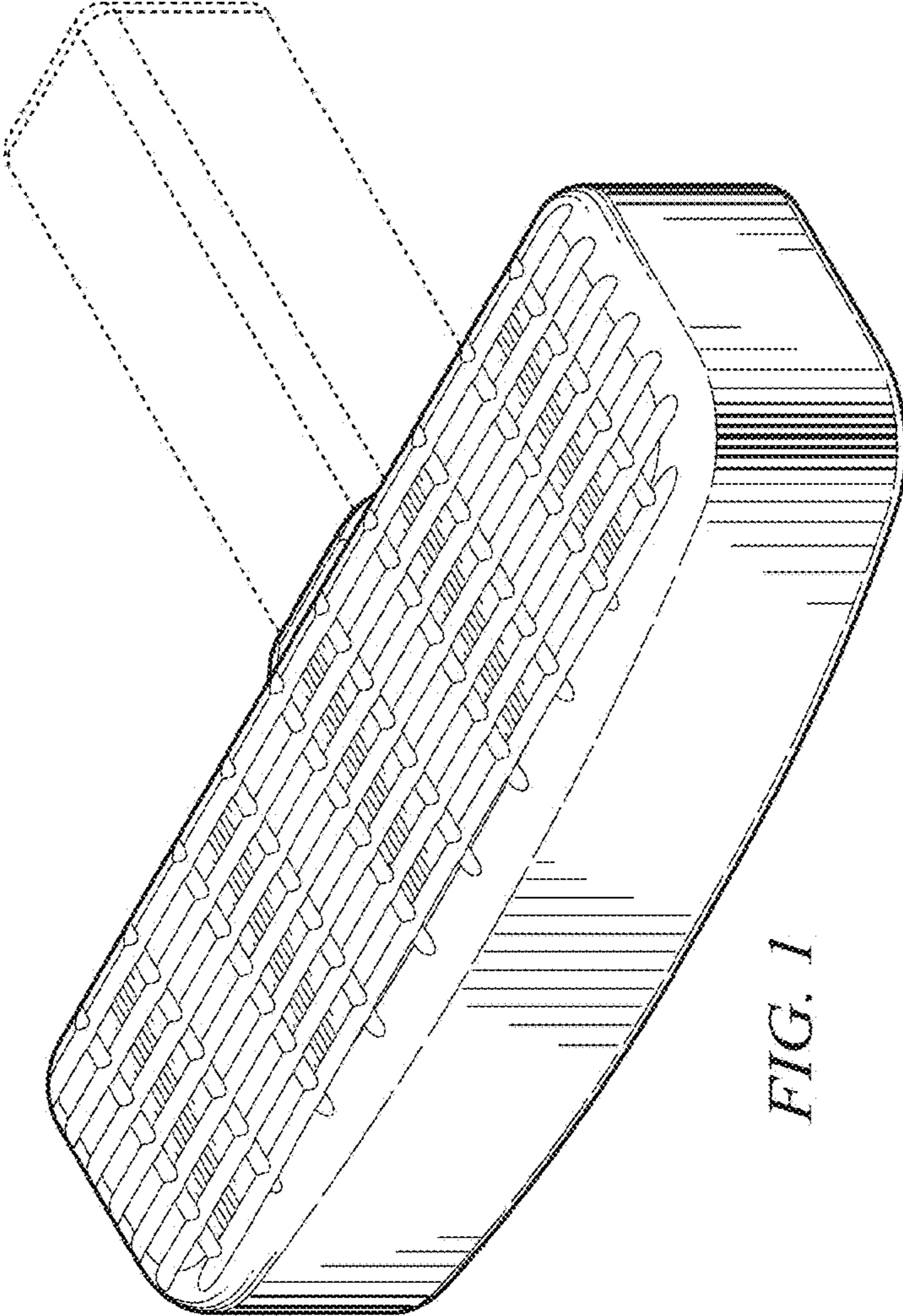
References Cited

U.S. PATENT DOCUMENTS

5,738,362 A 4/1998 Ludwick  
6,145,861 A 11/2000 Willis  
D440,931 S \* 4/2001 Knight, III ..... D12/203  
D463,345 S \* 9/2002 Cipolla ..... D12/162  
6,511,086 B2 1/2003 Schlicht  
D491,509 S 6/2004 Bundy  
6,817,447 B1 \* 11/2004 Pedersen ..... E04F 11/112  
182/228.1  
D511,319 S \* 11/2005 Wang ..... D12/162  
D513,217 S \* 12/2005 Daws ..... D12/203  
D527,323 S \* 8/2006 Storer ..... D12/203  
D532,354 S 11/2006 Storer  
D549,623 S \* 8/2007 Gaddy ..... D12/162  
D595,630 S 7/2009 McPherson et al.  
7,661,693 B1 2/2010 Lipski

7,744,106 B2 \* 6/2010 VanBelle ..... B60R 3/02  
180/90.6  
7,954,836 B2 6/2011 Mann  
7,967,311 B2 6/2011 Phillips  
D695,665 S \* 12/2013 Masanek, Jr. .... D12/203  
8,727,364 B2 5/2014 Masanek, Jr. et al.  
D714,703 S \* 10/2014 Masanek, Jr. .... B60D 1/36  
D12/203  
8,851,495 B1 10/2014 Masanek, Jr. et al.  
8,919,796 B2 12/2014 Masanek, Jr. et al.  
D739,801 S 9/2015 Bundy  
9,145,035 B2 9/2015 Masanek, Jr.  
D744,382 S 12/2015 Woller et al.  
9,242,608 B2 1/2016 Masanek, Jr. et al.  
D788,669 S \* 6/2017 Guo ..... D12/203  
2003/0011164 A1 1/2003 Cipolla  
2003/0116938 A1 6/2003 Shields et al.  
2010/0294819 A1 11/2010 Spera

\* cited by examiner



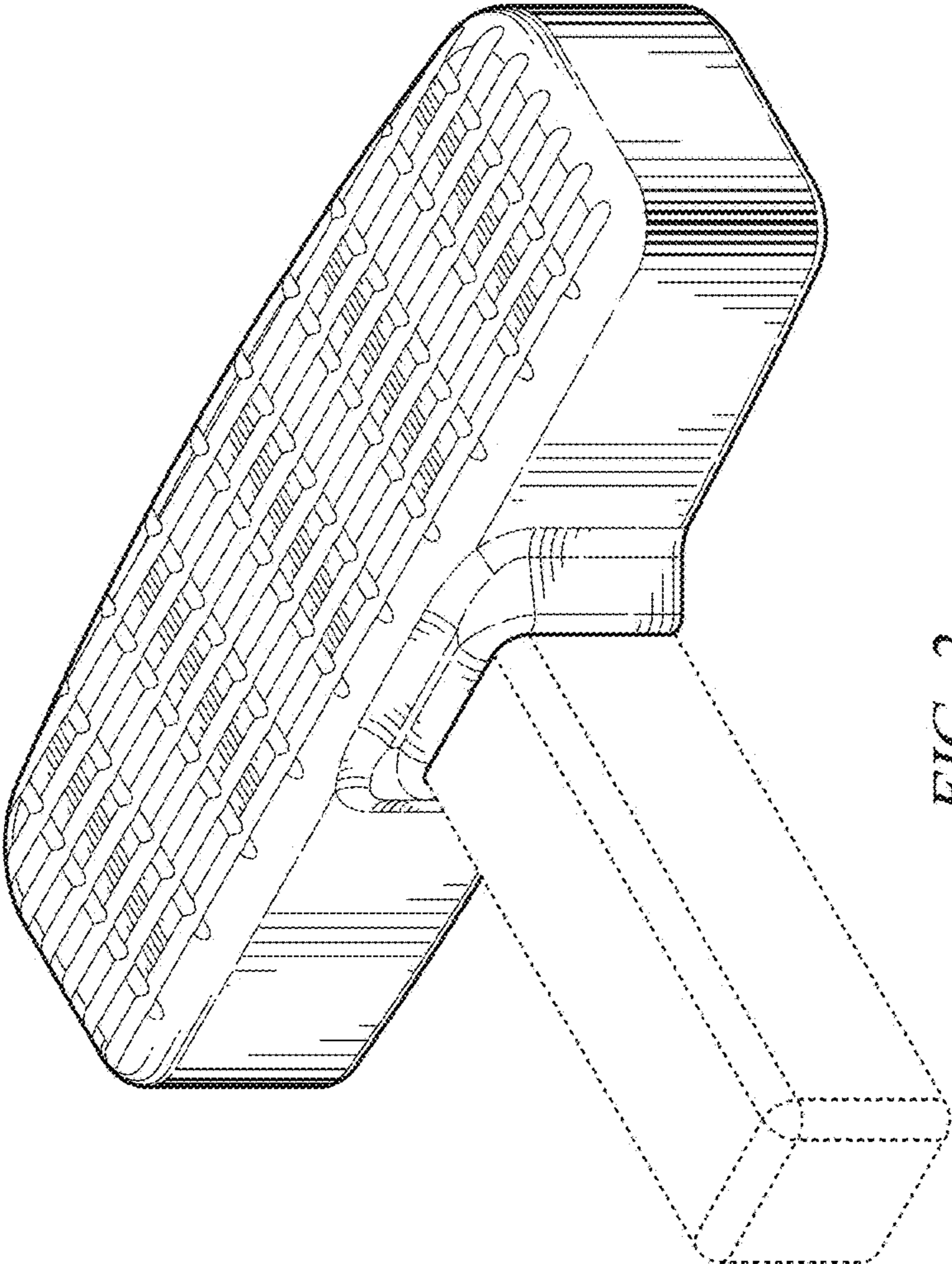


FIG. 2

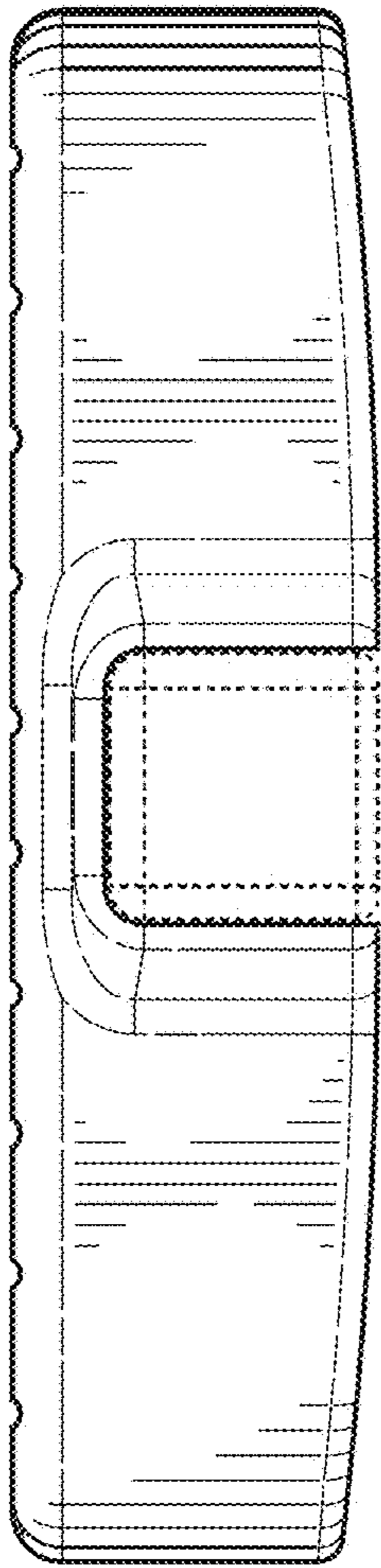


FIG. 3

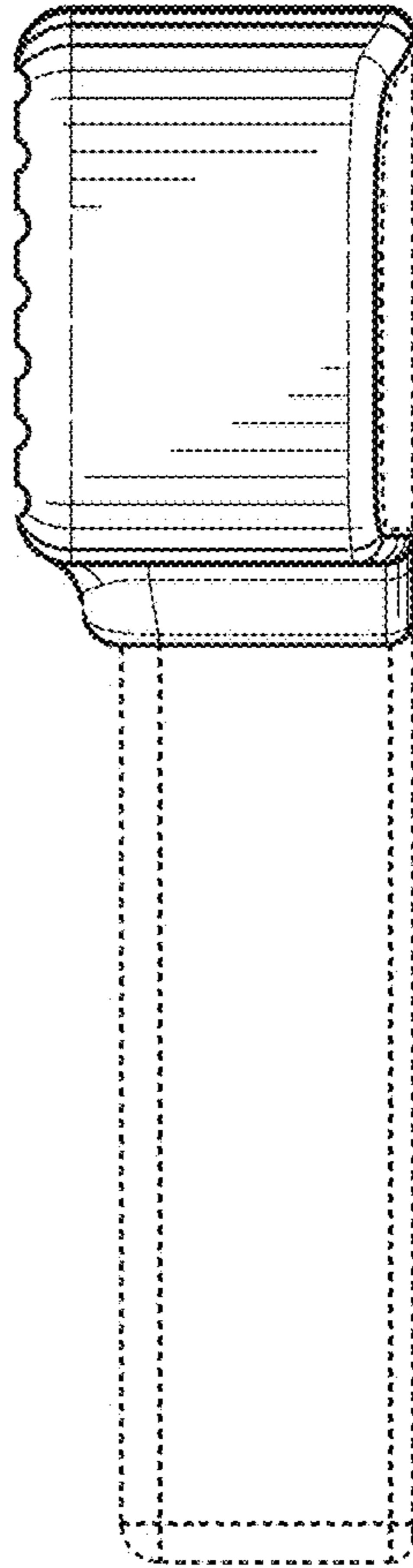


FIG. 4

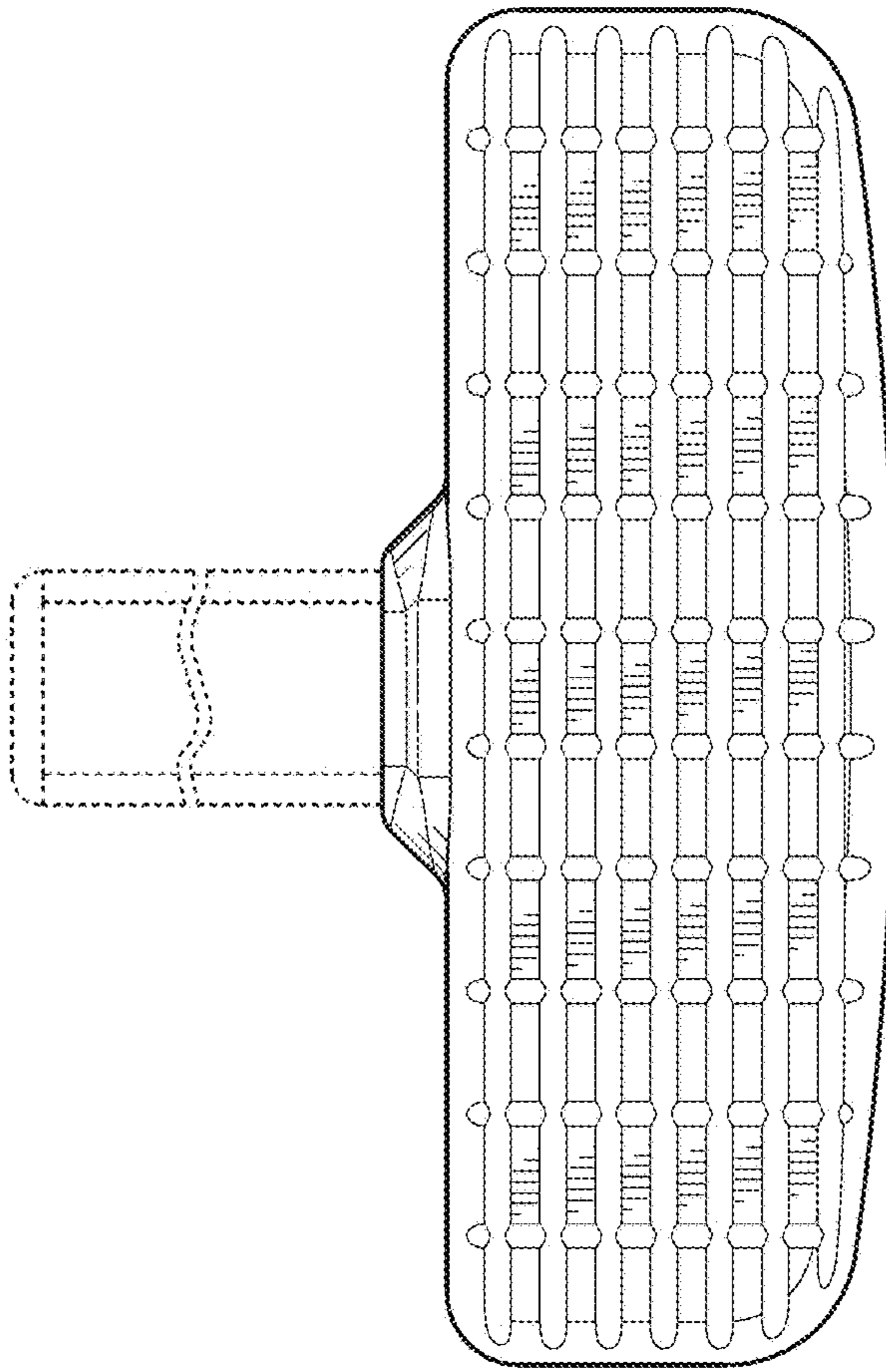


FIG. 5

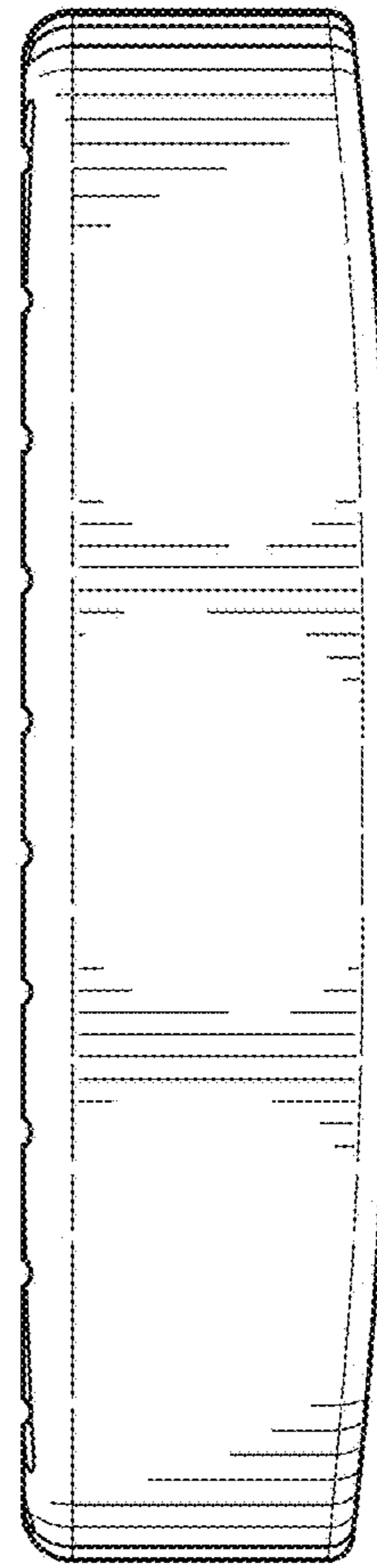


FIG. 6

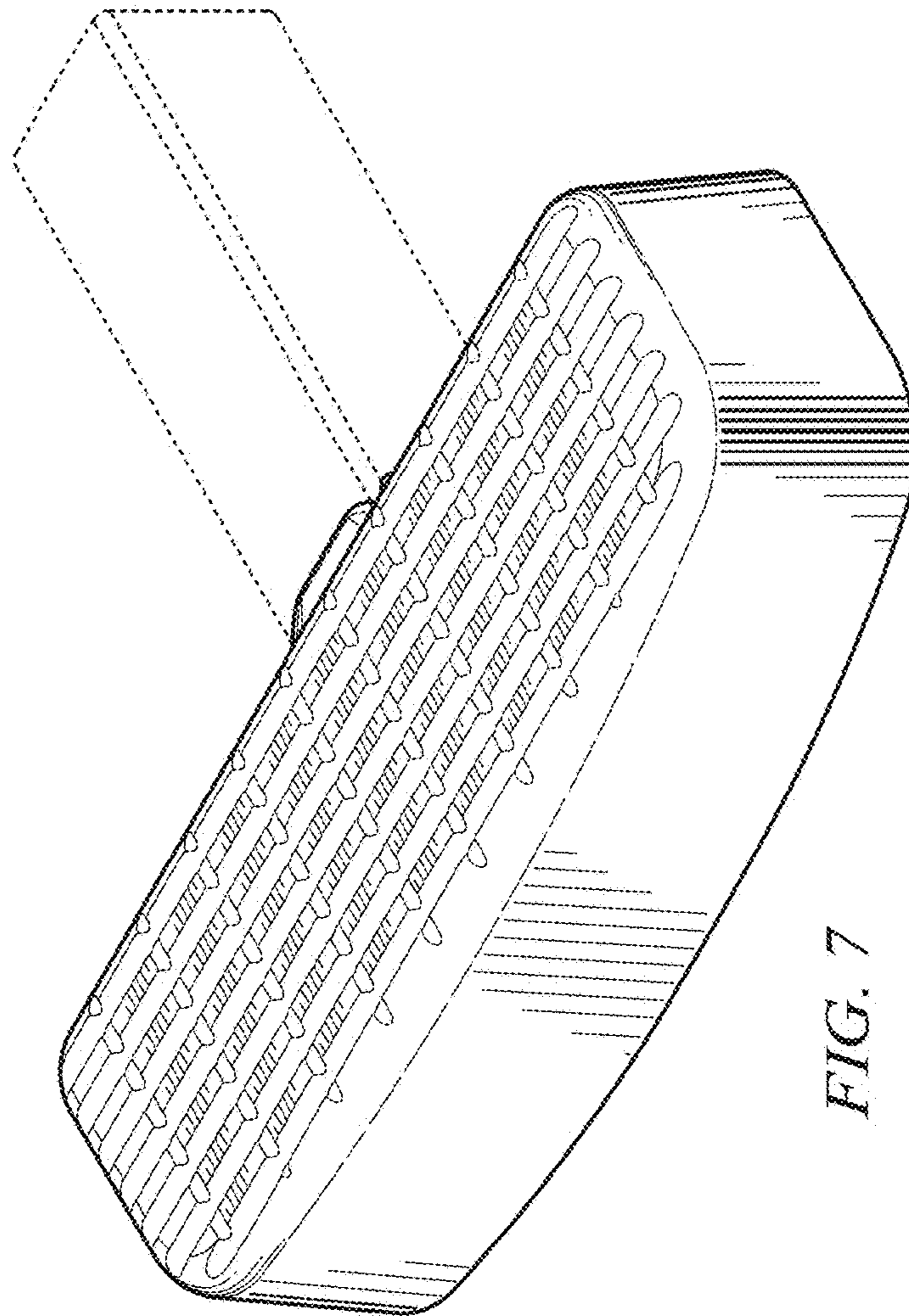


FIG. 7

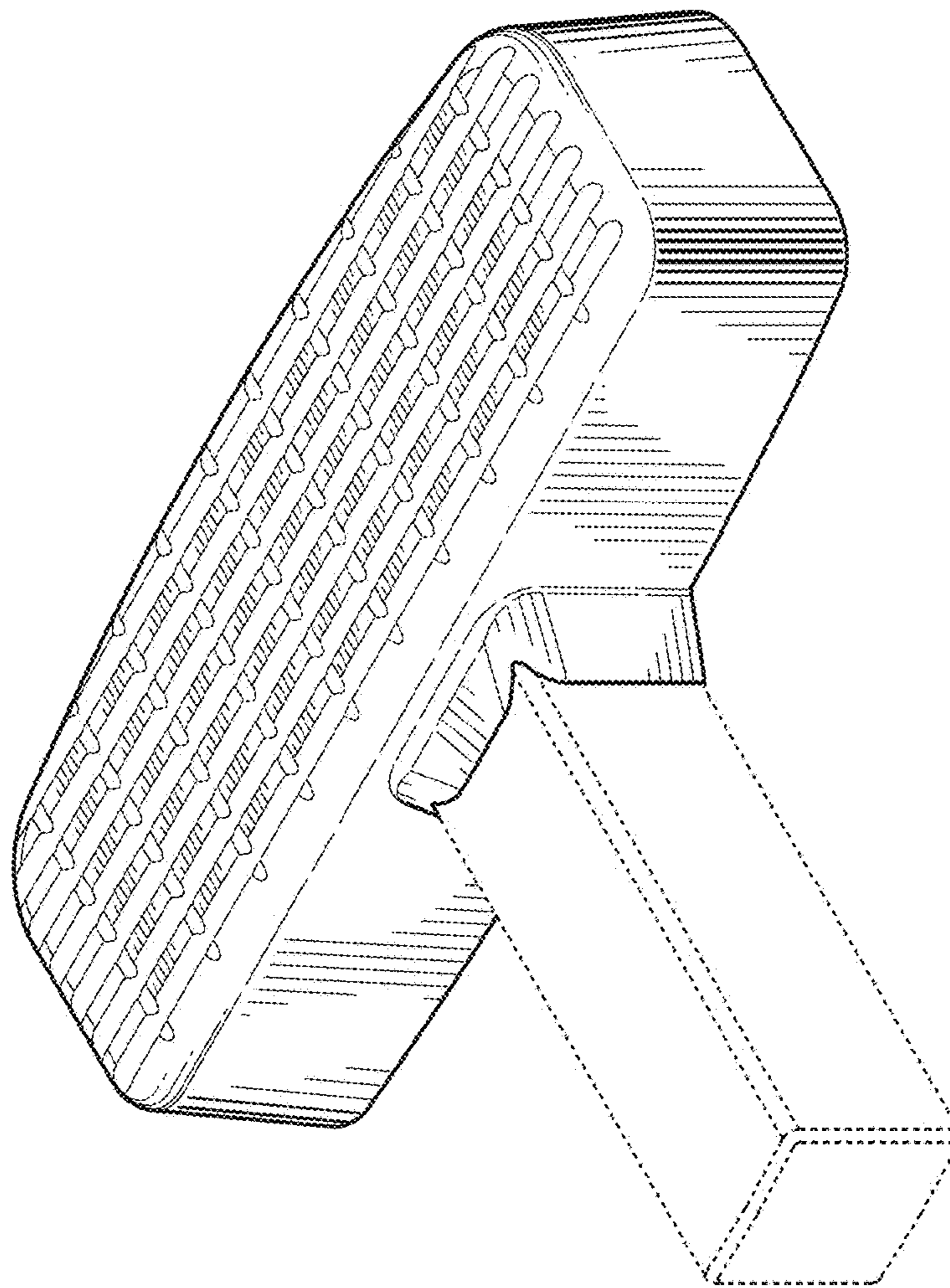


FIG. 8



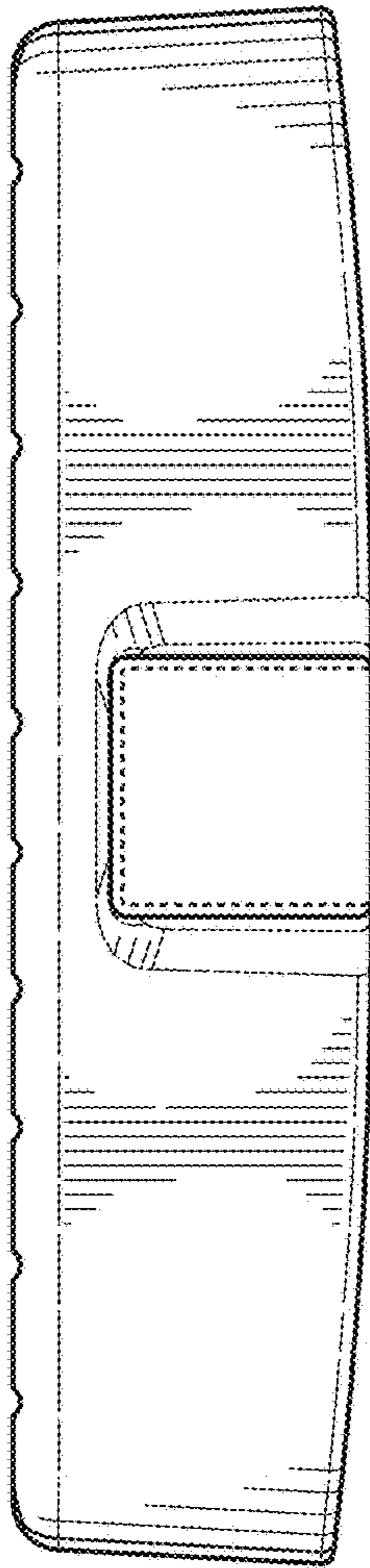


FIG. 9

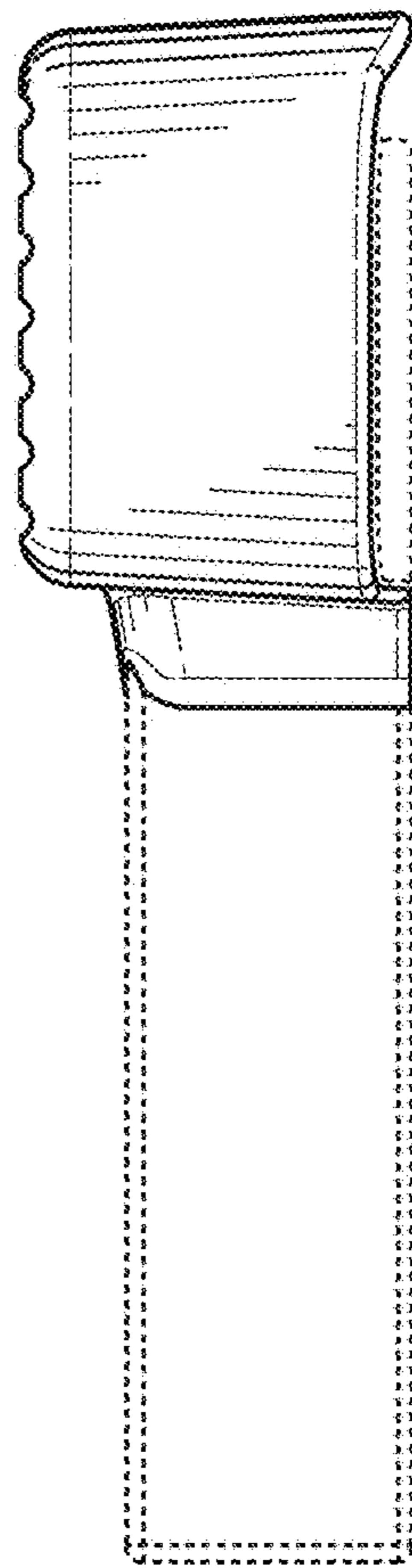


FIG. 10

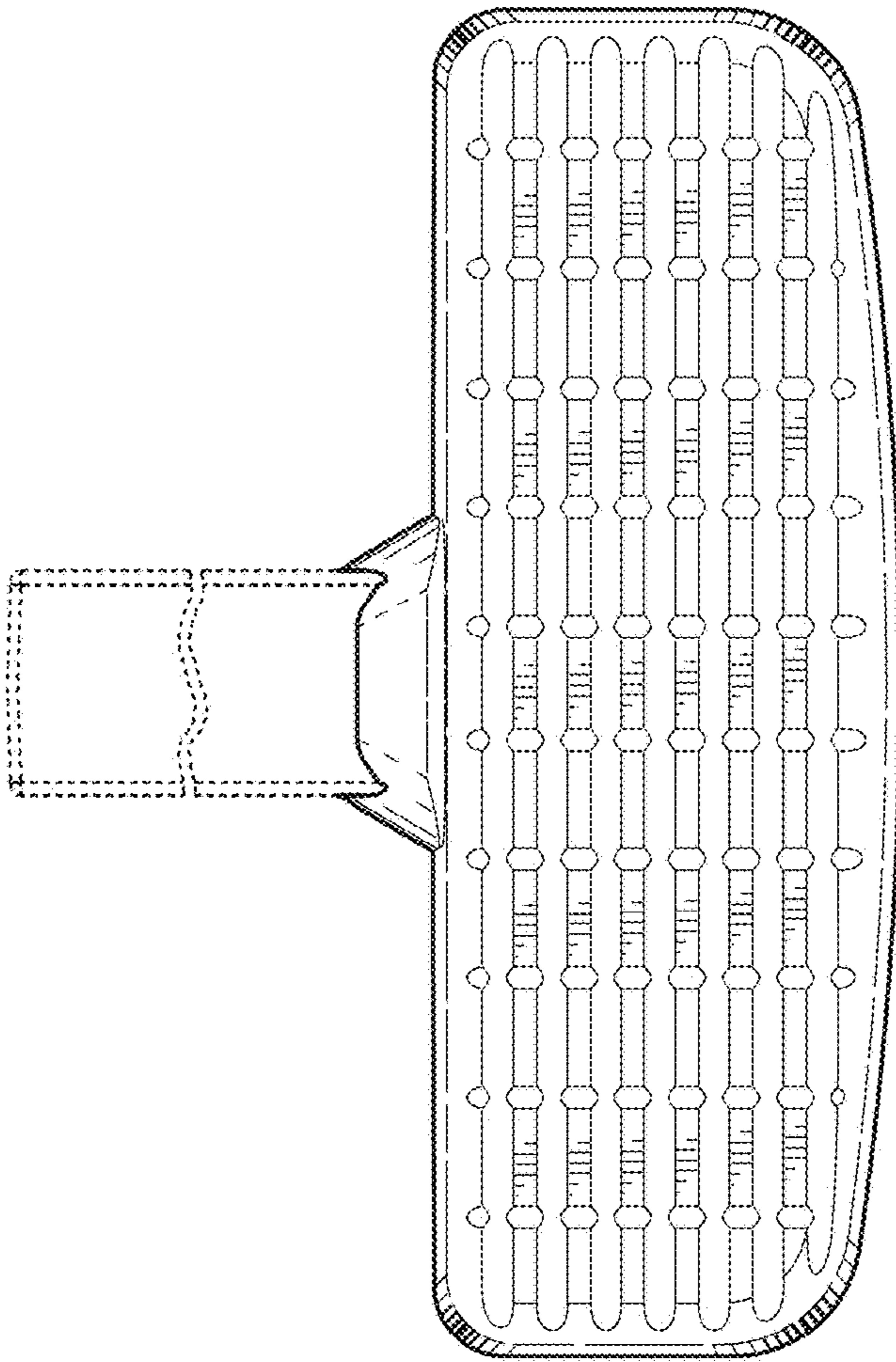


FIG. 11

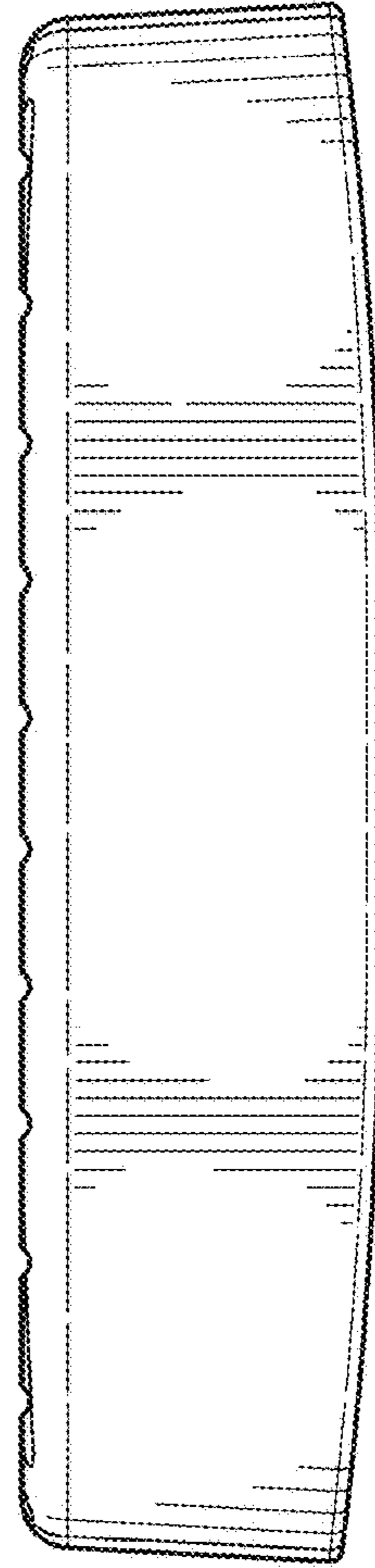


FIG. 12