



US00D847059S

(12) **United States Design Patent**
Larson

(10) **Patent No.:** **US D847,059 S**
(45) **Date of Patent:** **** Apr. 30, 2019**

- (54) **LICENSE PLATE FRAME**
- (71) Applicant: **WONDERPUS INDUSTRIES, LLC**,
Seattle, WA (US)
- (72) Inventor: **Jerrod Larson**, Bellevue, WA (US)
- (73) Assignee: **WONDERPUS INDUSTRIES, LLC**,
Seattle, WA (US)
- (**) Term: **15 Years**
- (21) Appl. No.: **29/602,617**
- (22) Filed: **May 2, 2017**
- (51) **LOC (11) Cl.** **12-16**
- (52) **U.S. Cl.**
USPC **D12/193**
- (58) **Field of Classification Search**
USPC D12/193
CPC B60R 13/10; B60R 13/105; B60R 19/24;
B60R 19/52
See application file for complete search history.

8,281,508 B1 * 10/2012 Wiskow B60R 13/105
40/209
D726,613 S * 4/2015 Spencer D12/193
D734,228 S * 7/2015 Masanek, Jr. D12/193

(Continued)

Primary Examiner — Natasha Vujcic
(74) *Attorney, Agent, or Firm* — Timothy E. Siegel Patent
Law Firm, PLLC; Timothy E. Siegel

(57) **CLAIM**

The ornamental design for a license plate frame, as shown and described.

DESCRIPTION

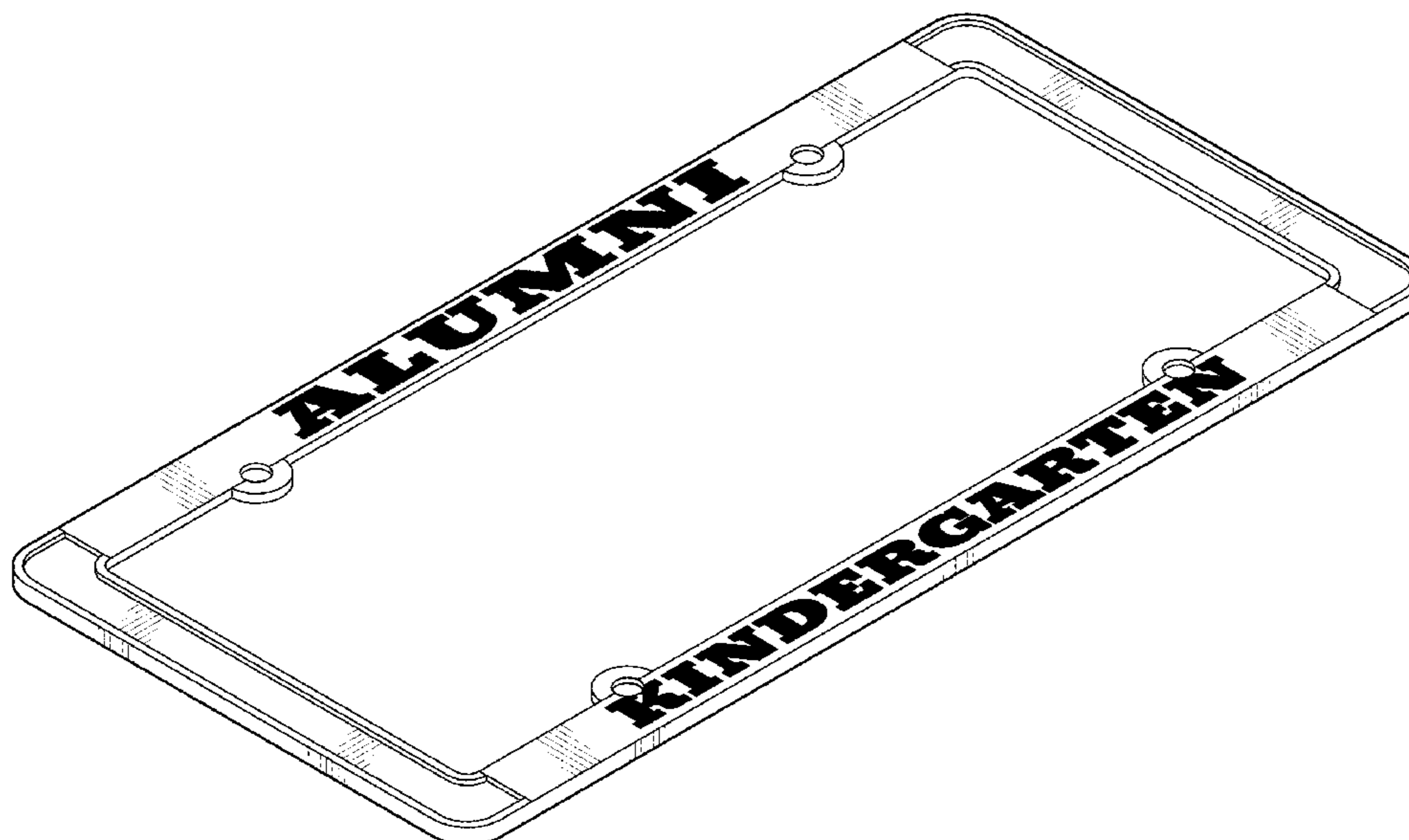
FIG. 1 is a front-left isometric view of a first embodiment of a license plate frame in accordance with the present invention.
FIG. 2 is a front view of the license plate frame of FIG. 1.
FIG. 3 is a bottom view, wherein the top view is a mirror image, of the license plate frame of FIG. 1.
FIG. 4 is a right-side view, wherein the left side view is a mirror image, of the license plate frame of FIG. 1.
FIG. 5 is a front-left isometric view of a second embodiment of a license plate frame in accordance with the present invention.
FIG. 6 is a front view of the license plate frame of FIG. 5.
FIG. 7 is a bottom view, wherein the top view is a mirror image, of the license plate frame of FIG. 5.
FIG. 8 is a right-side view, wherein the left side view is a mirror image, of the license plate frame of FIG. 5.
FIG. 9 is a front-left isometric view of a third embodiment of a license plate frame in accordance with the present invention.
FIG. 10 is a front view of the license plate frame of FIG. 9.
FIG. 11 is a bottom view, wherein the top view is a mirror image, of the license plate frame of FIG. 9; and,
FIG. 12 is a right-side view, wherein the left side view is a mirror image, of the license plate frame of FIG. 9.

(56) **References Cited**

U.S. PATENT DOCUMENTS

- 1,660,575 A * 2/1928 Overton B60R 13/105
40/209
- D233,327 S * 10/1974 Barber D12/193
- D281,490 S * 11/1985 Lien D12/193
- D367,459 S * 2/1996 Spencer D12/193
- D382,241 S * 8/1997 Moureaux D12/193
- D408,341 S * 4/1999 Spencer D12/193
- D416,527 S * 11/1999 Steinhagen D12/193
- D437,816 S * 2/2001 Hussaini D12/193
- 6,962,013 B1 * 11/2005 Perrin B60R 13/105
40/209
- D516,483 S * 3/2006 Eidsmore D12/193
- 7,350,323 B1 * 4/2008 Basos B60R 13/10
40/209

1 Claim, 6 Drawing Sheets



(56)

References Cited

U.S. PATENT DOCUMENTS

D739,800 S * 9/2015 Spencer D12/193
2003/0079381 A1 * 5/2003 Arens B60R 13/005
40/210

* cited by examiner

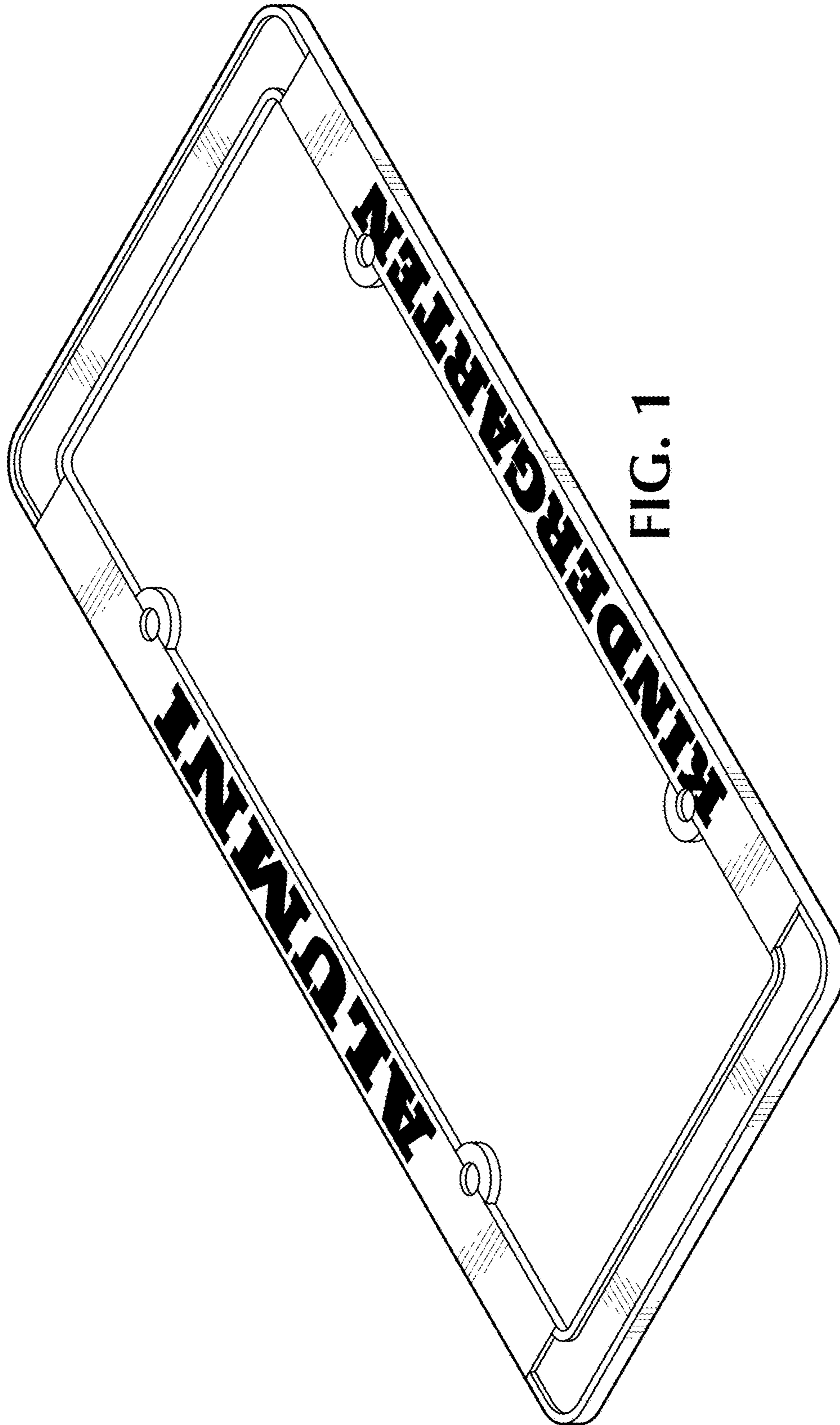


FIG. 1

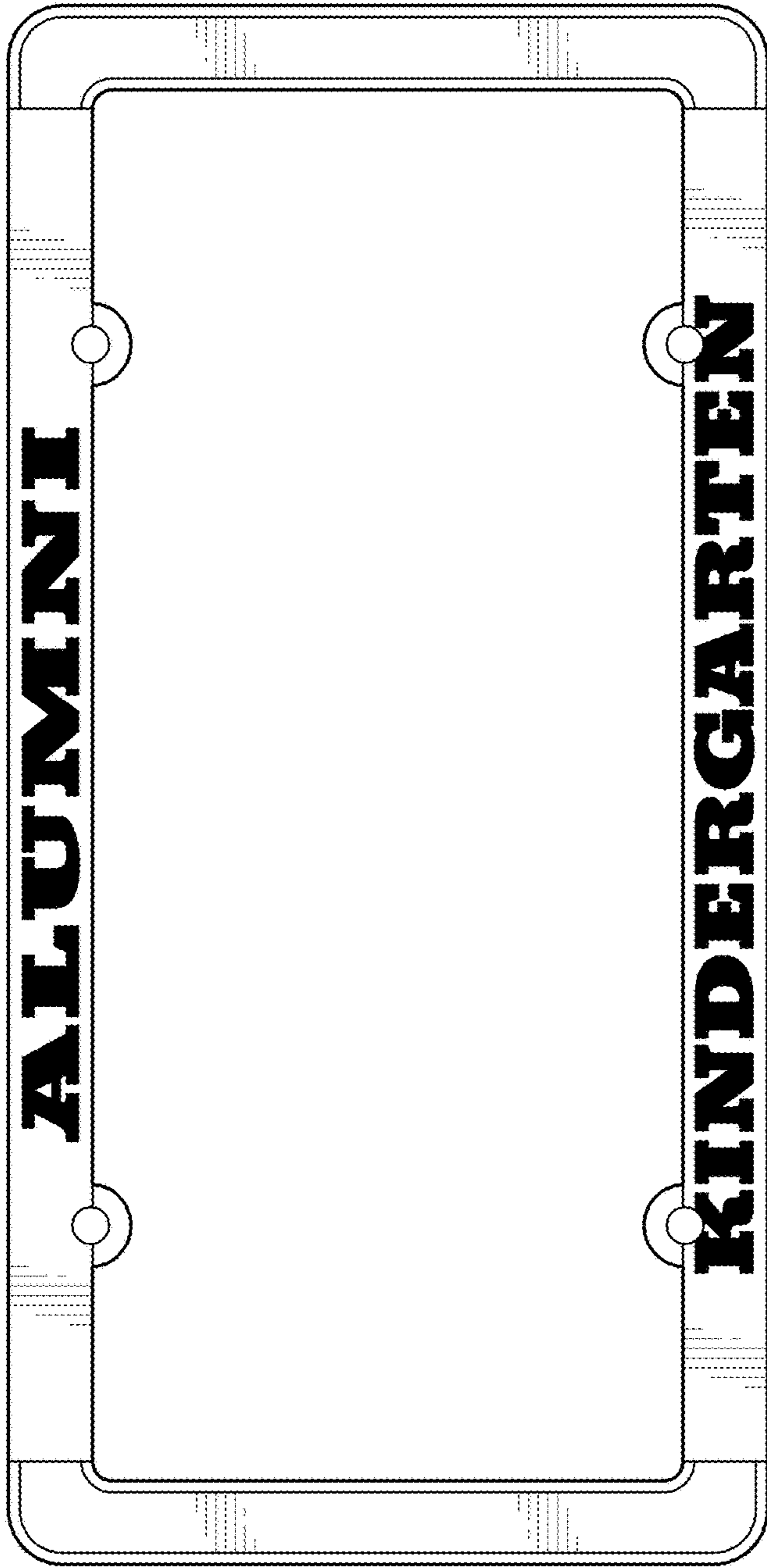


FIG. 2



FIG. 3



FIG. 4

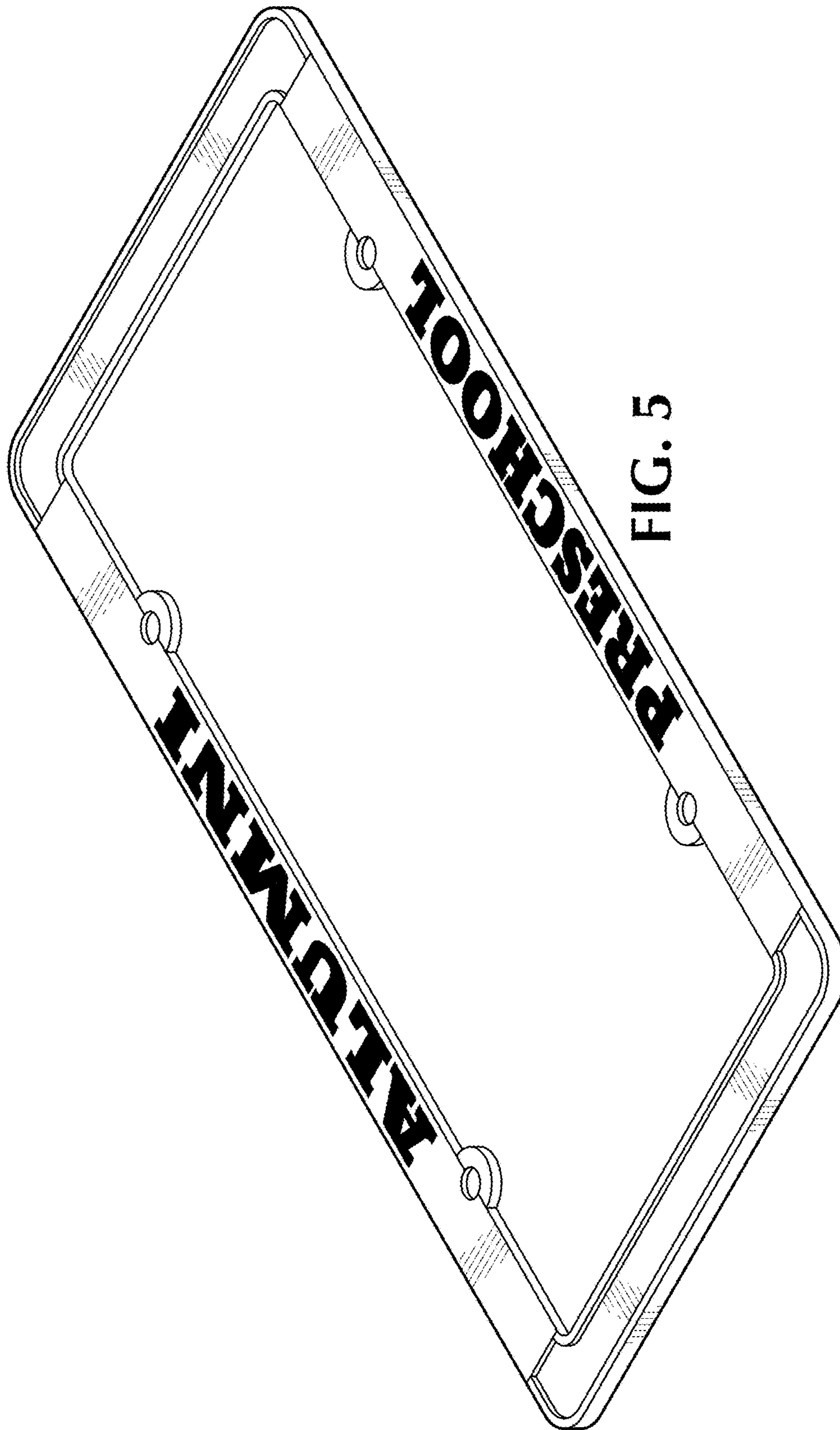


FIG. 5

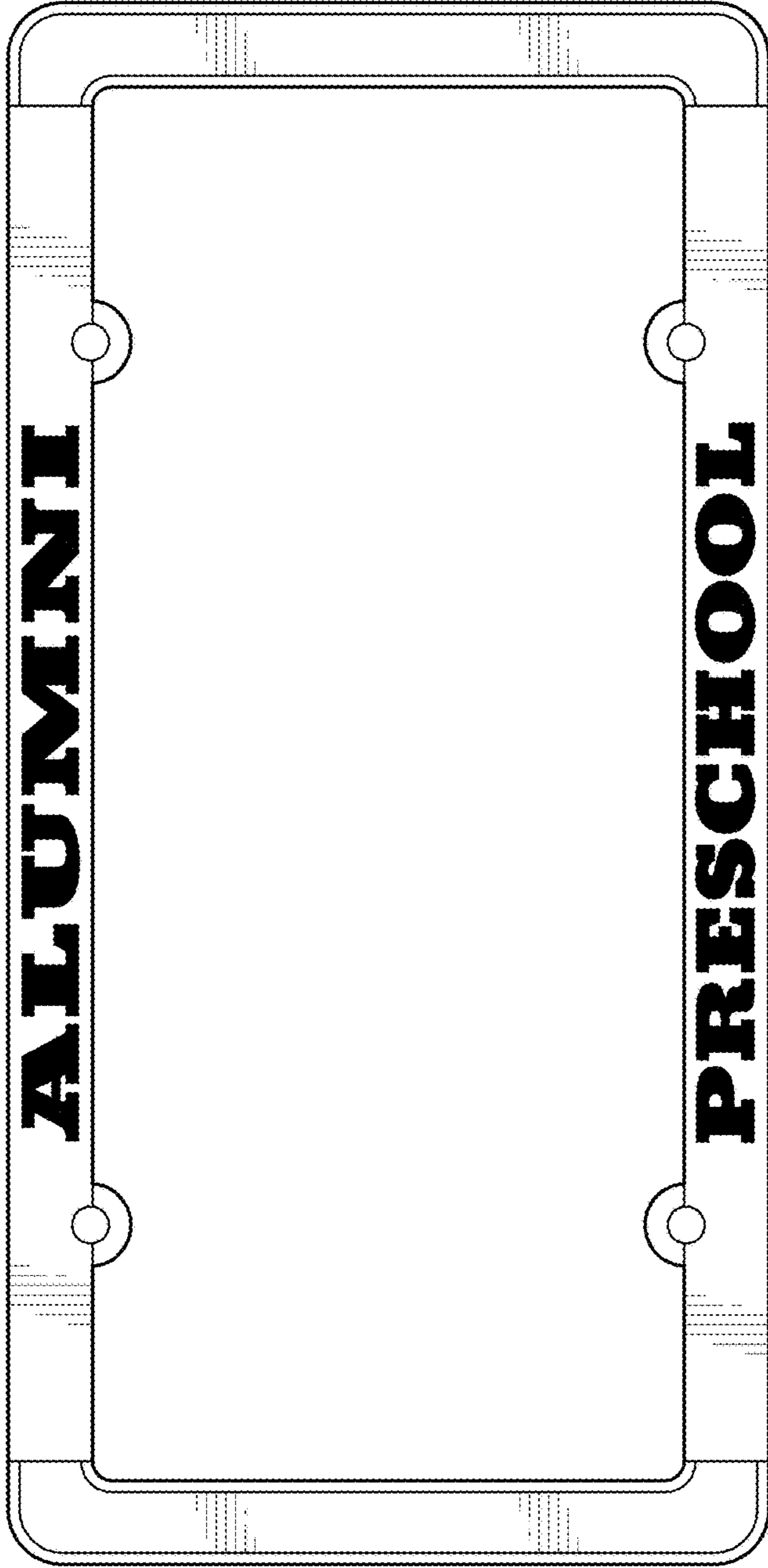


FIG. 6



FIG. 7

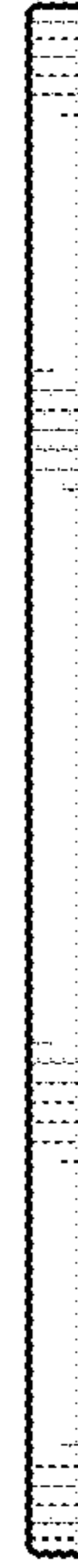


FIG. 8

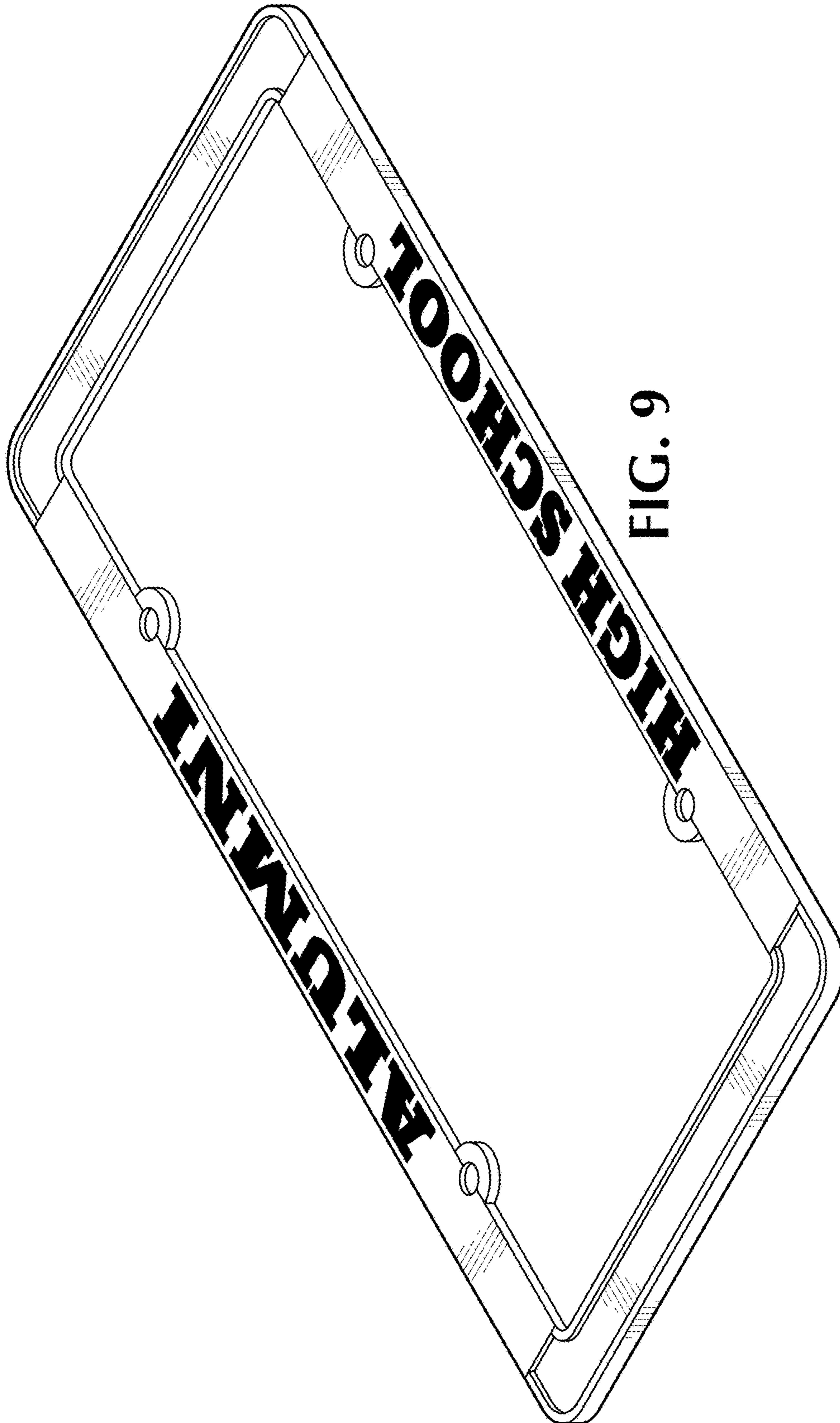


FIG. 9

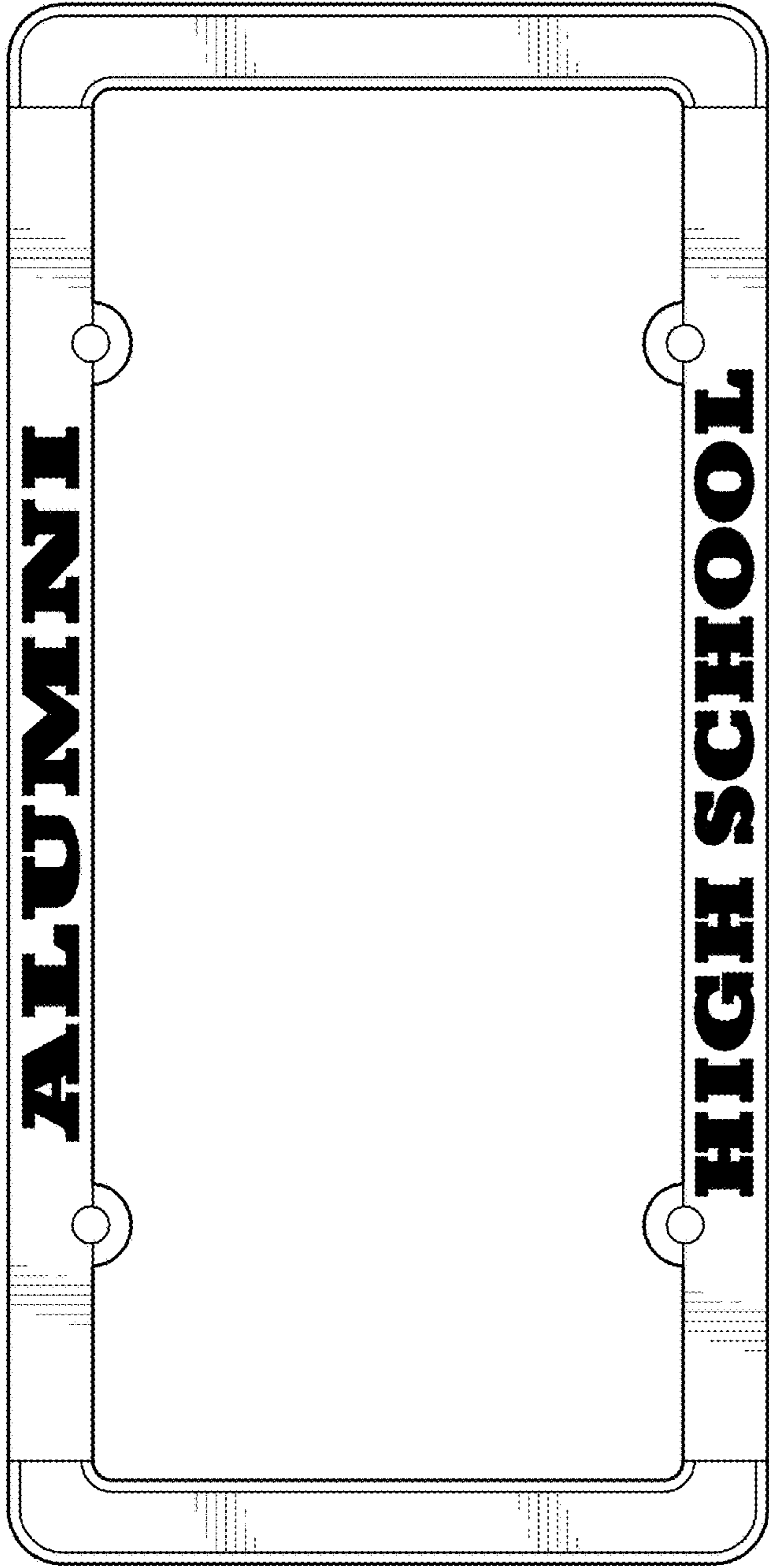


FIG. 10

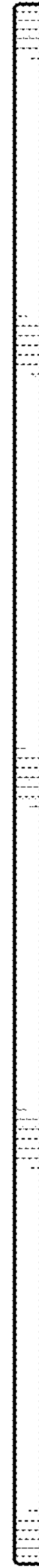


FIG. 11

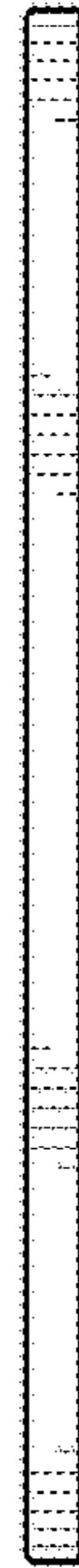


FIG. 12