



US00D847058S

(12) **United States Design Patent** (10) **Patent No.:** **US D847,058 S**  
**Ohtake et al.** (45) **Date of Patent:** **\*\* Apr. 30, 2019**

(54) **INSTRUMENT PANEL FOR AN AUTOMOBILE**

(71) Applicant: **Nissan Motor Co., Ltd.**, Yokohama, Kanagawa (JP)

(72) Inventors: **Seiichi Ohtake**, Kanagawa (JP); **Junichi Horii**, Kanagawa (JP)

(73) Assignee: **Nissan Motor Co., Ltd.**, Yokohama (JP)

(\*\*) Term: **15 Years**

(21) Appl. No.: **29/639,166**

(22) Filed: **Mar. 5, 2018**

(30) **Foreign Application Priority Data**

Sep. 6, 2017 (JP) ..... 2017-019334

(51) **LOC (11) Cl.** ..... **12-16**

(52) **U.S. Cl.**  
USPC ..... **D12/192**

(58) **Field of Classification Search**  
USPC ..... D12/192, 415, 114, 345; D10/17, 28; D15/46, 98, 102-103, 122-127; D23/324  
CPC ..... B60H 1/34; B60H 1/3407; B60H 1/3414; B60H 1/3421; B60H 1/3428; B60H 1/3435; B60H 1/3442; B60H 1/345; B60H 1/3457; B60H 2001/3464; B60H 2001/3471; B60H 2001/3478; B60H 2001/3485

See application file for complete search history.

(56) **References Cited**

**U.S. PATENT DOCUMENTS**

D813,127 S \* 3/2018 Yamamoto ..... D12/192  
D813,769 S \* 3/2018 Yaguchi ..... D12/192

D817,832 S \* 5/2018 Maezono ..... D12/192  
D819,533 S \* 6/2018 Choi ..... D12/192  
D824,306 S \* 7/2018 Joyce ..... D12/192  
D825,420 S \* 8/2018 Boyes ..... D12/192  
D826,122 S \* 8/2018 Yamamoto ..... D12/192  
D826,813 S \* 8/2018 Carr ..... D12/192  
D828,259 S \* 9/2018 Takagi ..... D12/192  
D828,260 S \* 9/2018 Takagi ..... D12/192  
D830,927 S \* 10/2018 Tanaka ..... D12/192

\* cited by examiner

*Primary Examiner* — Katrina A Betton

(57) **CLAIM**

The ornamental design for an instrument panel for an automobile, as shown and described.

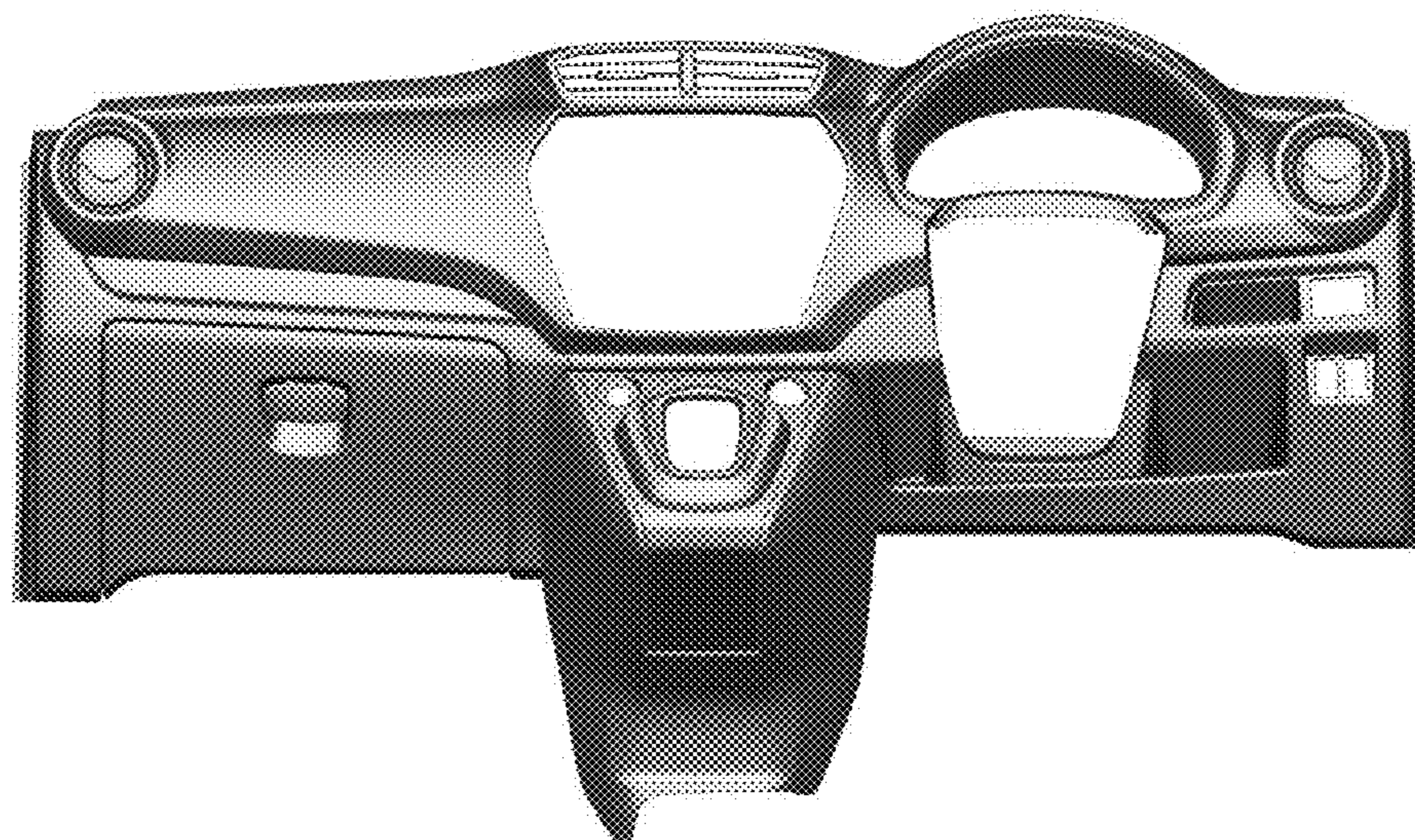
**DESCRIPTION**

FIG. 1 is a front elevational view of an instrument panel for an automobile in accordance with our new design; FIG. 2 is a top plan view thereof; FIG. 3 is a bottom plan view thereof; FIG. 4 is a left side elevational view thereof; FIG. 5 is a right side elevational view thereof; FIG. 6 is a first side perspective view thereof; and, FIG. 7 is a second perspective view thereof.

The rear view and rear surfaces of the instrument panel form no part of the claimed design. The instrument panel is configured to be mounted to an automobile. The inside surfaces of the instrument panel, shown in broken lines in FIGS. 2 to 5 and 7, form no part of the claimed design since the inside surfaces are hidden when the instrument panel is mounted to the automobile.

A second embodiment of our new design includes the mirror image of the instrument panel shown in FIGS. 1 to 7.

**1 Claim, 7 Drawing Sheets**



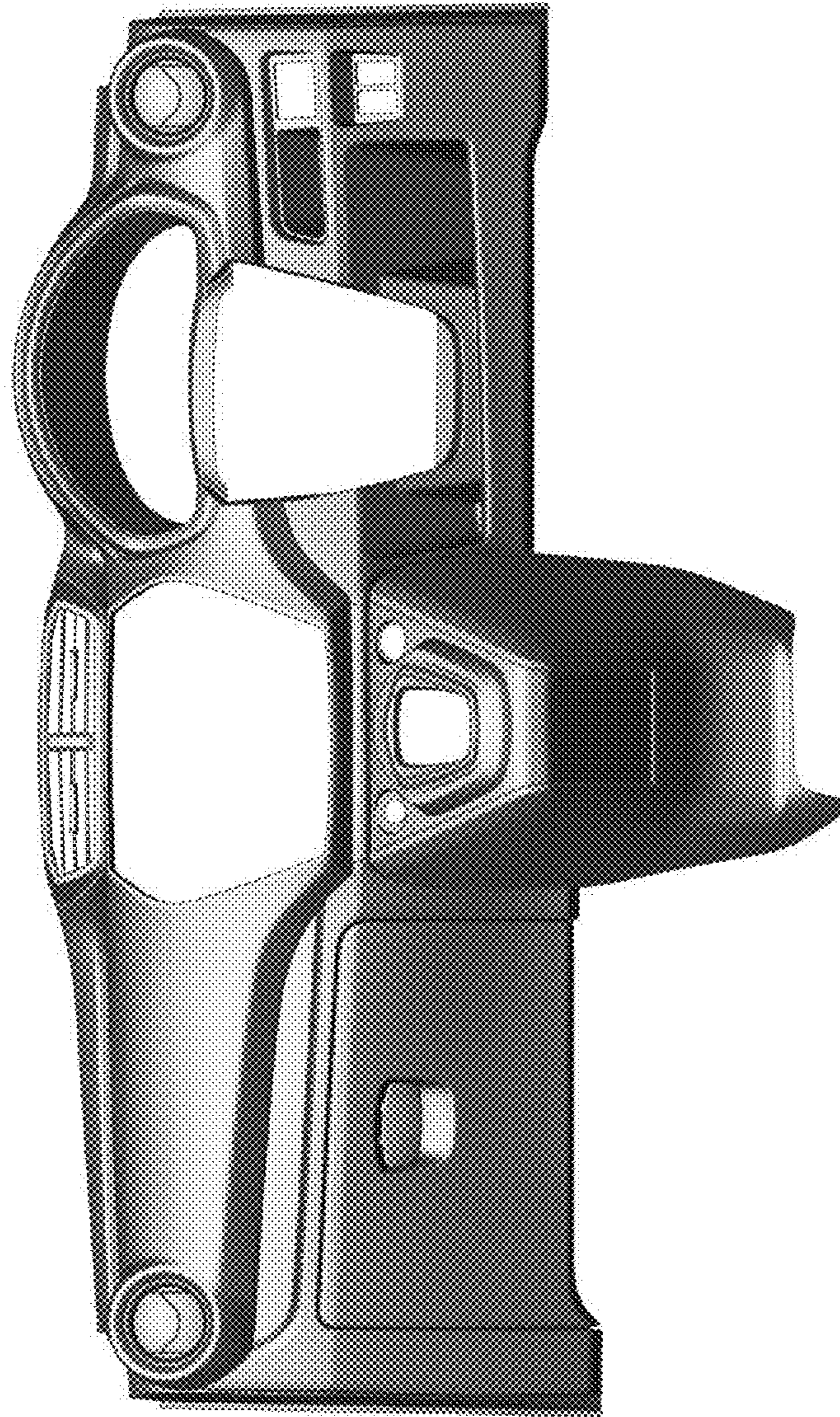


FIG. 1



FIG. 2

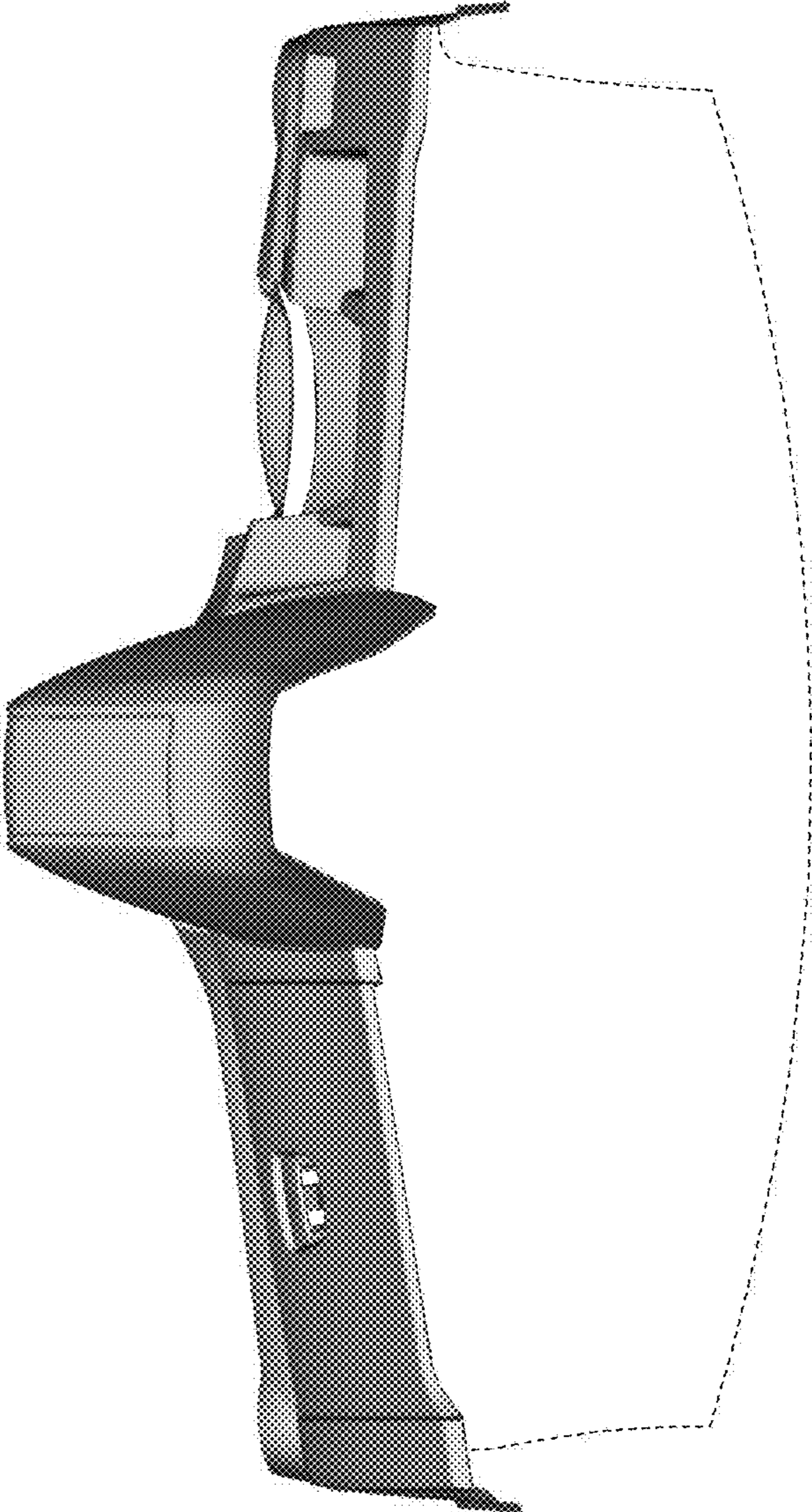


FIG. 3

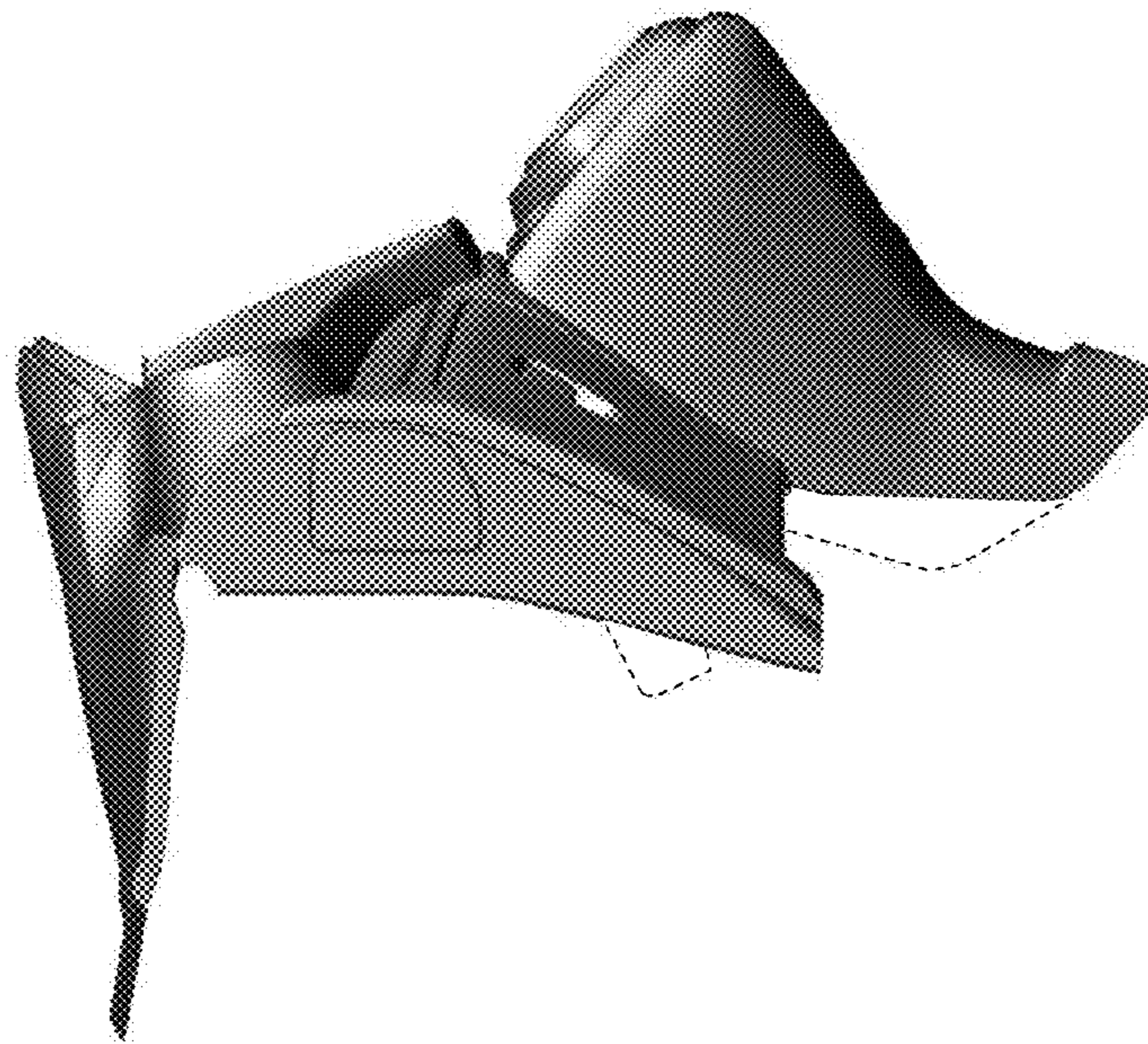


FIG. 4

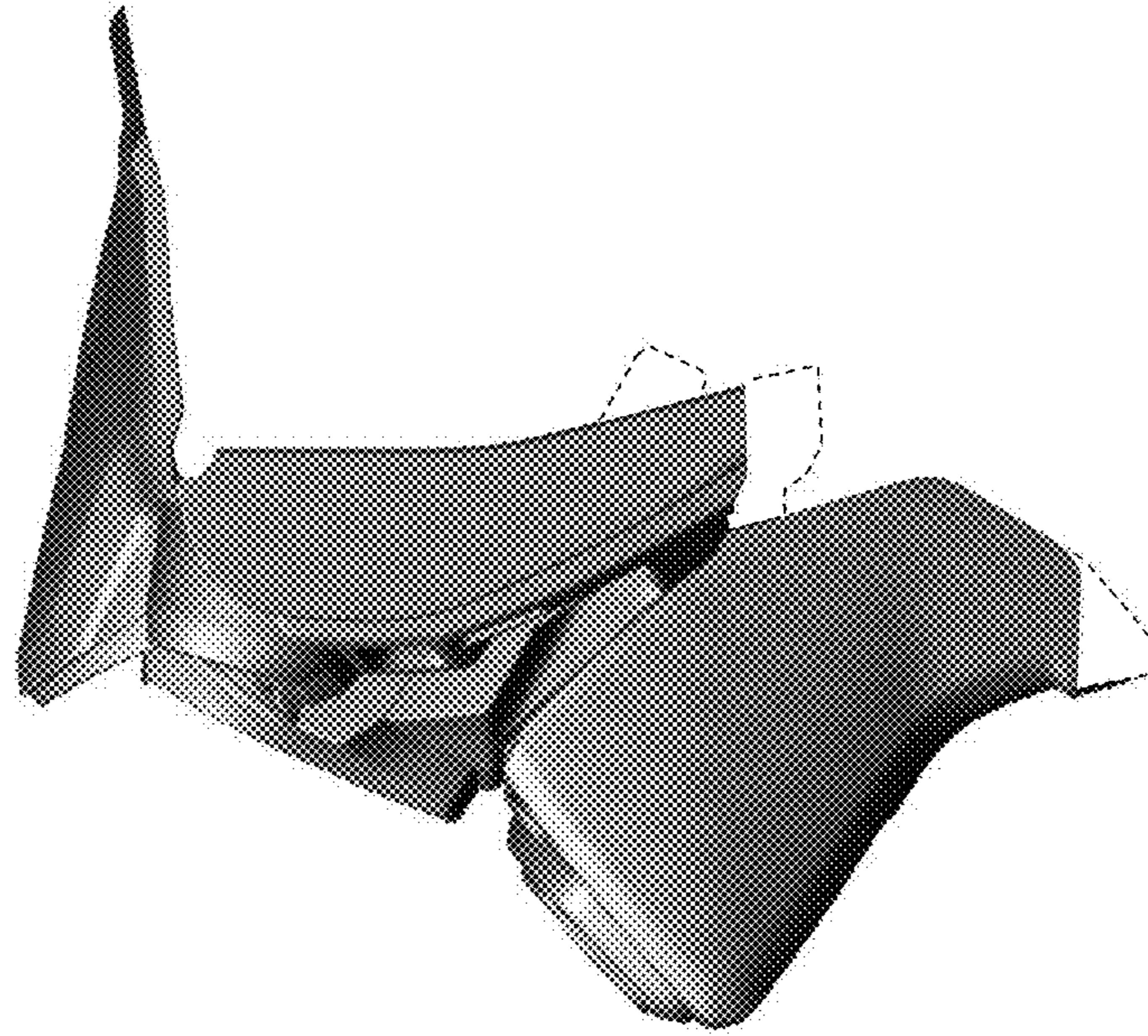


FIG. 5



FIG. 6



FIG. 7