



US00D847057S

(12) **United States Design Patent** (10) **Patent No.:** **US D847,057 S**  
**Kono et al.** (45) **Date of Patent:** **\*\* Apr. 30, 2019**

(54) **INSTRUMENT PANEL FOR AN AUTOMOBILE**  
(71) Applicants: **Mineha Kono**, Toyoake (JP); **Yasuo Kajino**, Nagoya (JP)  
(72) Inventors: **Mineha Kono**, Toyoake (JP); **Yasuo Kajino**, Nagoya (JP)  
(73) Assignee: **TOYOTA JIDOSHA KABUSHIKI KAISHA** (JP)  
(\*\*) Term: **15 Years**  
(21) Appl. No.: **29/638,817**  
(22) Filed: **Mar. 1, 2018**  
(51) **LOC (11) Cl.** ..... **12-16**  
(52) **U.S. Cl.**  
USPC ..... **D12/192**  
(58) **Field of Classification Search**  
USPC ..... D12/192, 415, 114, 345; D15/17, 28; D10/46, 98, 102-103, 122-127; D23/324  
CPC ..... B60H 1/34; B60H 1/3407; B60H 1/3414; B60H 1/3421; B60H 1/3428; B60H 1/3435; B60H 1/3442; B60H 1/345; B60H 1/3457; B60H 2001/3464; B60H 2001/3471; B60H 2001/3478; B60H 2001/3485  
See application file for complete search history.

D810,643 S \* 2/2018 Takamura ..... D12/192  
D812,536 S \* 3/2018 Matsuda ..... D12/192  
D813,769 S \* 3/2018 Yaguchi ..... D12/192  
D819,533 S \* 6/2018 Choi ..... D12/192  
D826,122 S \* 8/2018 Yamamoto ..... D12/192  
D828,260 S \* 9/2018 Takagi ..... D12/192  
D830,927 S \* 10/2018 Tanaka ..... D12/192

**OTHER PUBLICATIONS**

Autoc-One, Lexus LS500 (2017), <<http://autoc-one.jp/news/3098789/>>, available as early as Jan. 9, 2017.  
Autoc-One, Audi A6 Avant (2015), <[http://autoc-one.jp/audi/a6\\_avant/report-2389360/](http://autoc-one.jp/audi/a6_avant/report-2389360/)>, available as early as Oct. 10, 2015.  
Autoc-One, Mazda Atenza (2016), <<http://autoc-one.jp/mazda/atenza/report-2896679/>>, available as early as Sep. 14, 2016.

\* cited by examiner

*Primary Examiner* — Katrina A Betton

(74) *Attorney, Agent, or Firm* — Saidman DesignLaw Group, LLC

(57) **CLAIM**

The ornamental design for an instrument panel for an automobile, as shown and described.

**DESCRIPTION**

FIG. 1 is a perspective view of an instrument panel for an automobile showing our new design;  
FIG. 2 is a front view thereof;  
FIG. 3 is a rear view thereof;  
FIG. 4 is a left side view thereof;  
FIG. 5 is a right side view thereof;  
FIG. 6 is a top view thereof; and,  
FIG. 7 is a bottom view thereof.

The claimed design is indicated by the relatively dark portions in the figures. The relatively light portions form no part of the claimed design.

**1 Claim, 7 Drawing Sheets**

(56) **References Cited**

**U.S. PATENT DOCUMENTS**

D791,664 S \* 7/2017 Igarashi ..... D12/192  
D793,931 S \* 8/2017 Lee ..... D12/192  
D803,743 S \* 11/2017 Igarashi ..... D12/192  
D804,380 S \* 12/2017 Nakai ..... D12/192  
D807,266 S \* 1/2018 Hasegawa ..... D12/192

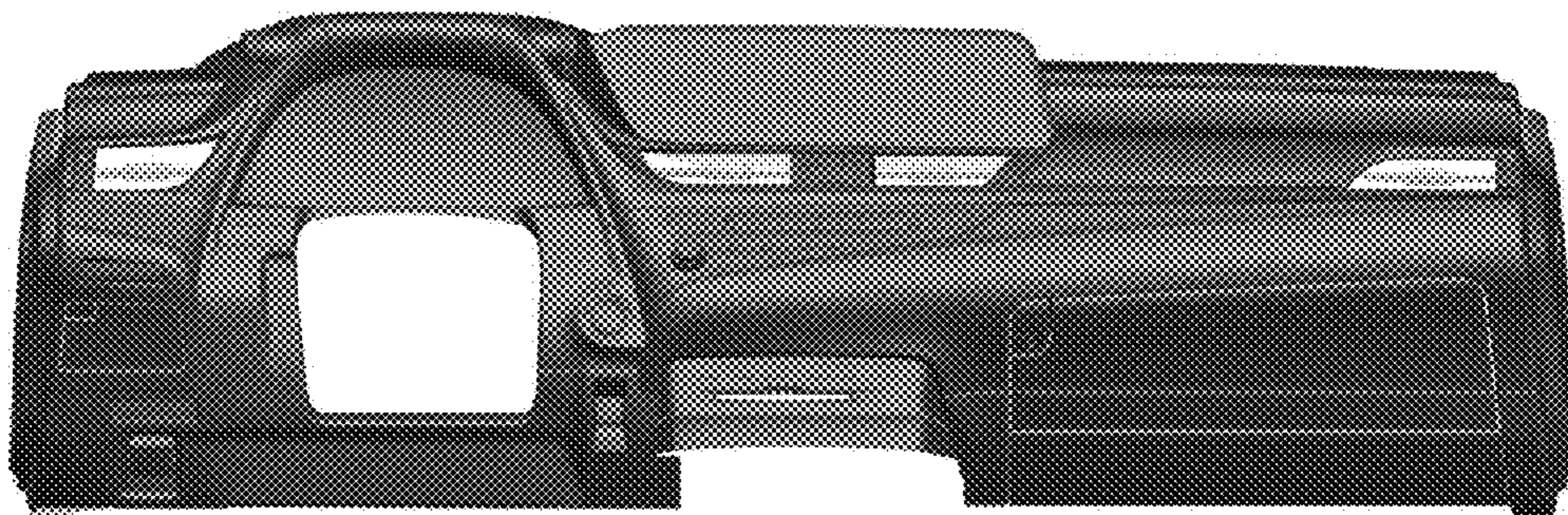




FIG. 1

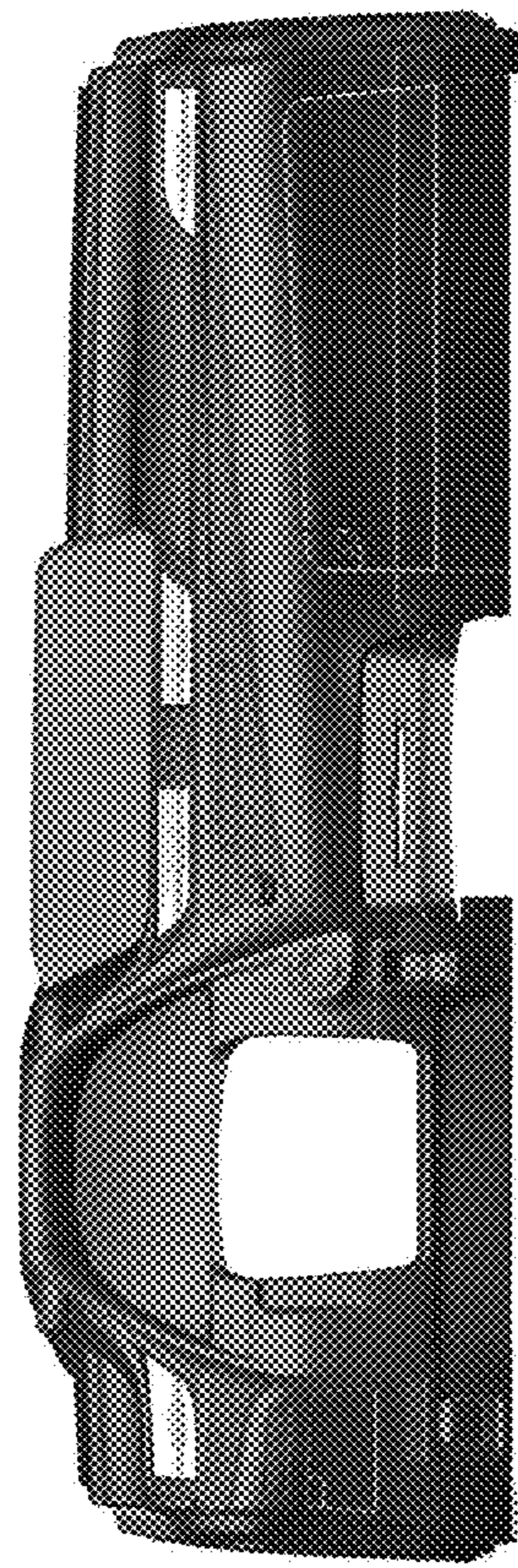


FIG. 2

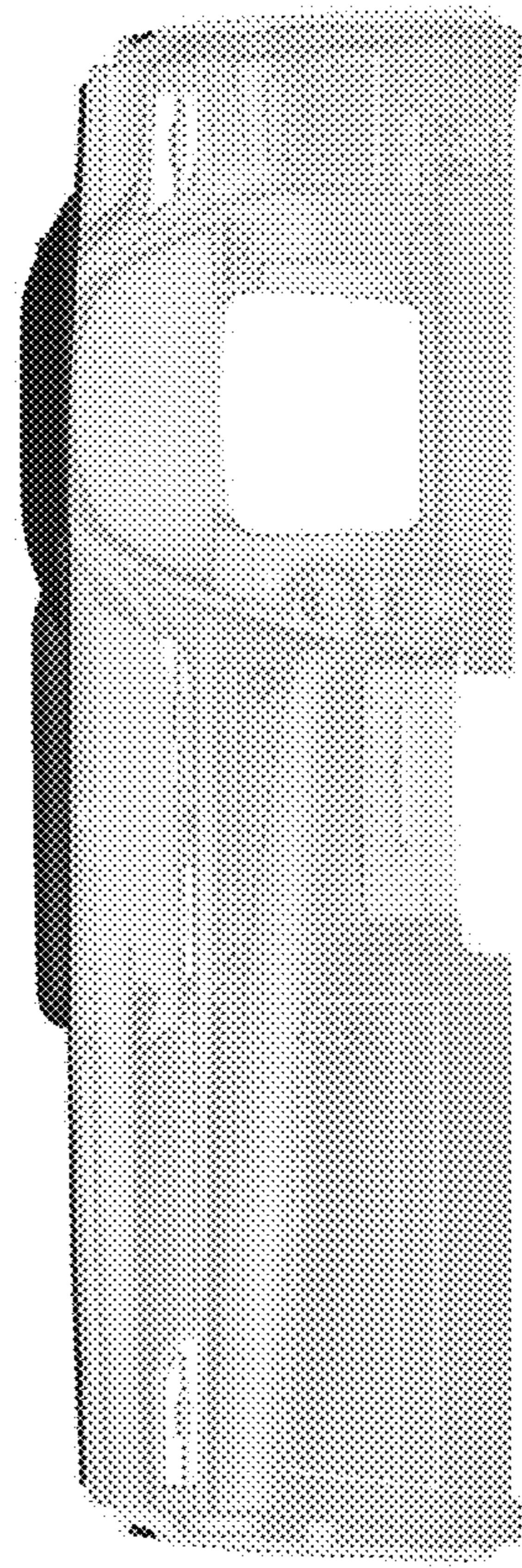


FIG. 3

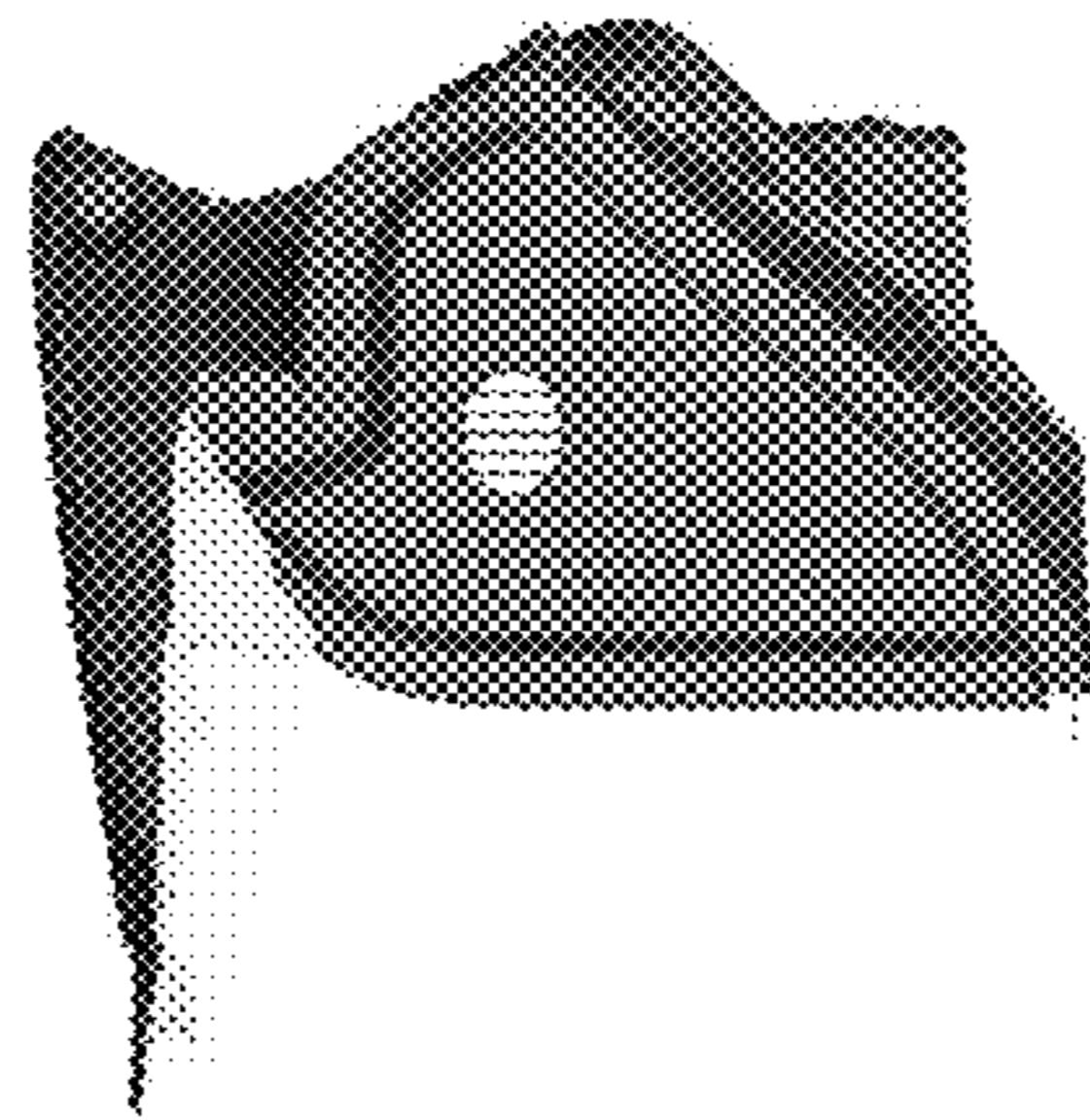


FIG. 4

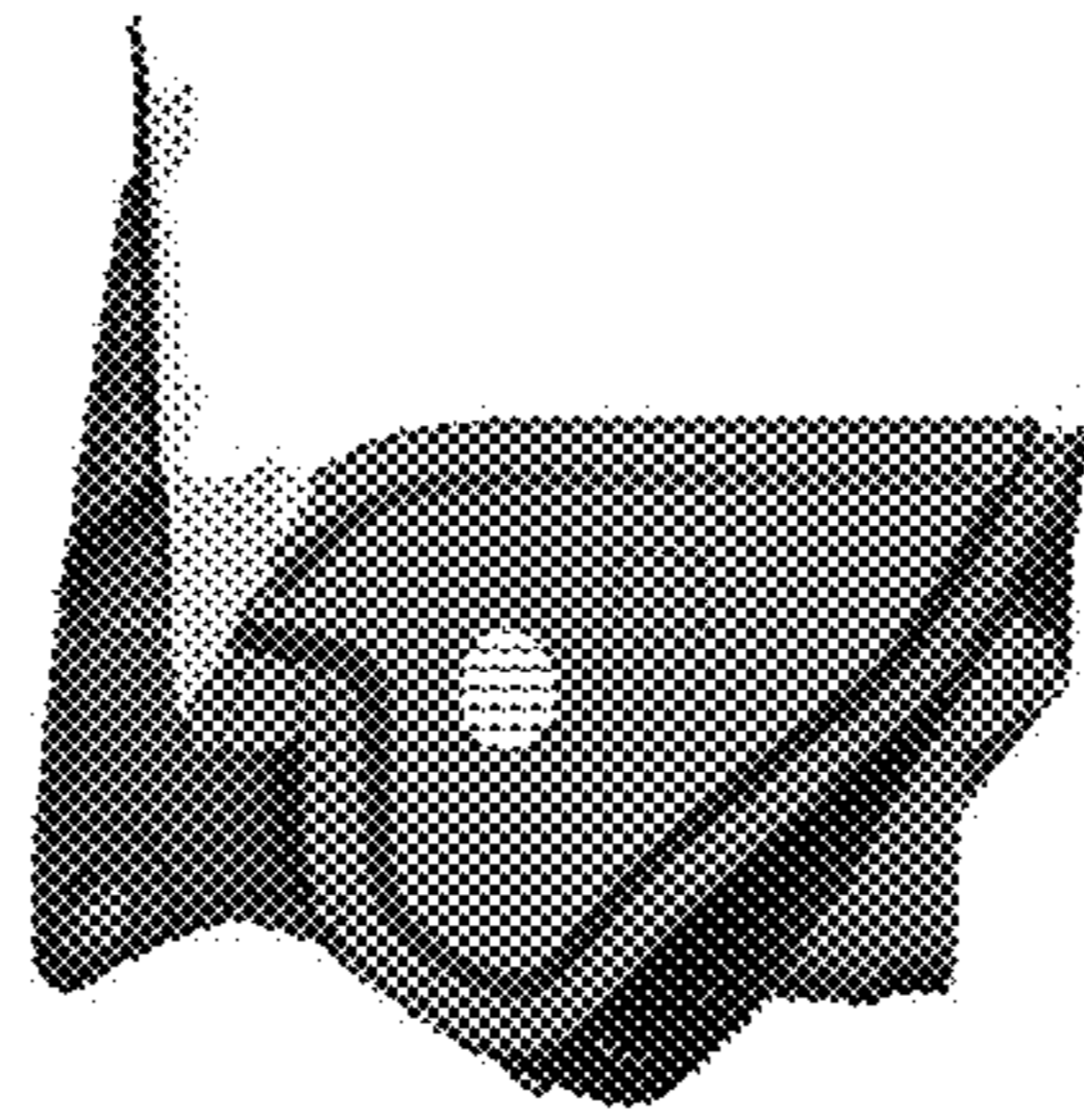


FIG. 5

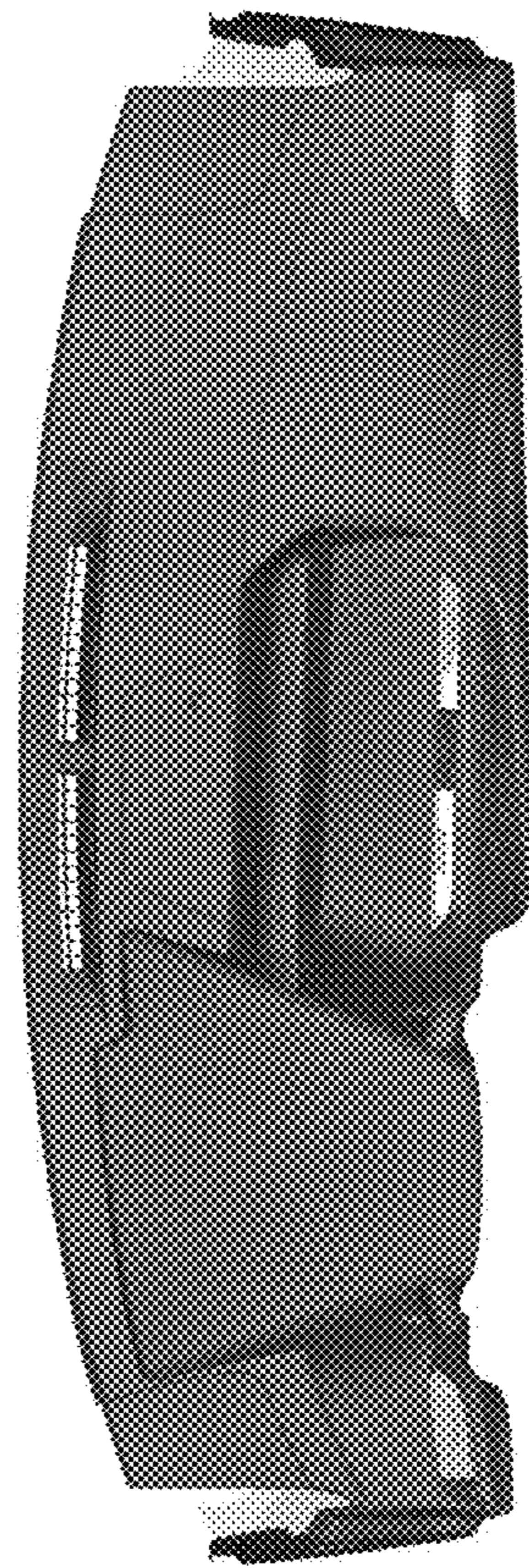


FIG. 6

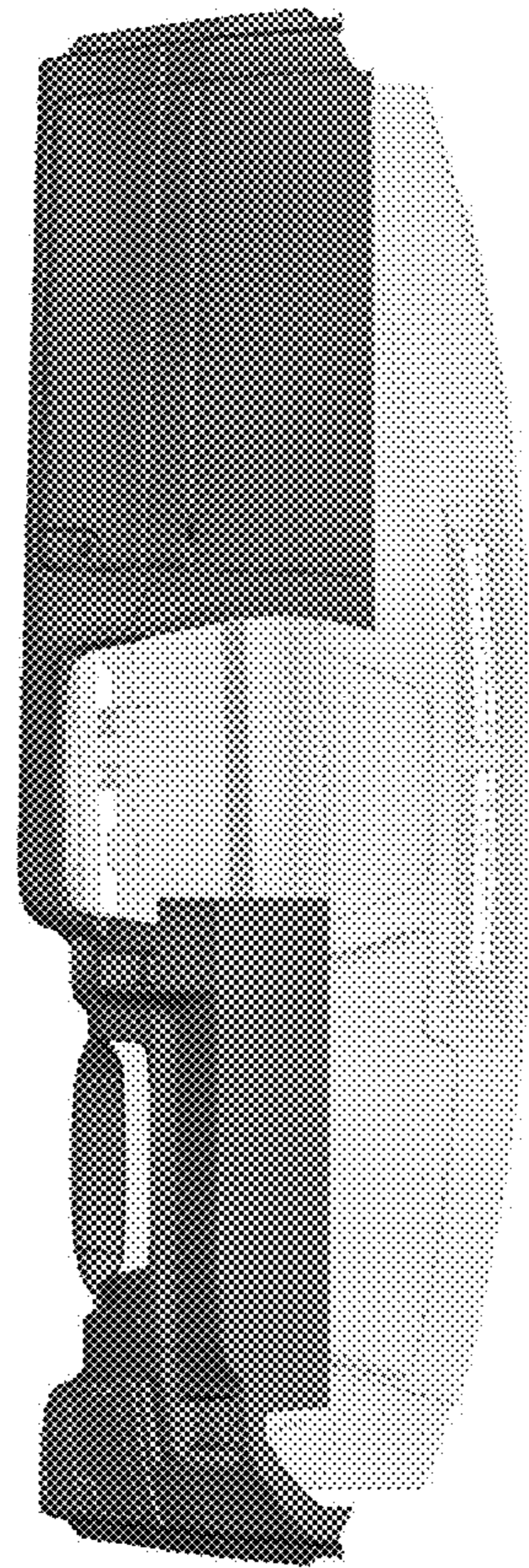


FIG. 7