



US00D847055S

(12) **United States Design Patent**
De Vienne

(10) **Patent No.:** **US D847,055 S**

(45) **Date of Patent:** **** Apr. 30, 2019**

(54) **INSTRUMENT PANEL FOR A VEHICLE**

(71) Applicant: **Jaguar Land Rover Limited**, Whitley,
Coventry (GB)

(72) Inventor: **Laetitia De Vienne**, Coventry (GB)

(73) Assignee: **Jaguar Land Rover Limited**, Whitley,
Coventry (GB)

(**) Term: **15 Years**

(21) Appl. No.: **29/637,689**

(22) Filed: **Feb. 21, 2018**

(30) **Foreign Application Priority Data**

Aug. 31, 2017 (EM) 004174720

(51) **LOC (11) Cl.** **12-16**

(52) **U.S. Cl.**
USPC **D12/192**

(58) **Field of Classification Search**

USPC D12/192, 415, 114, 345; D10/17, 28;
D15/46, 98, 102-103, 122-127; D23/324

CPC B60H 1/34; B60H 1/3407; B60H 1/3414;
B60H 1/3421; B60H 1/3428; B60H
1/3435; B60H 1/3442; B60H 1/345;
B60H 1/3457; B60H 2001/3464; B60H
2001/3471; B60H 2001/3478; B60H
2001/3485

See application file for complete search history.

(56) **References Cited**

U.S. PATENT DOCUMENTS

D813,127 S * 3/2018 Yamamoto D12/192
D813,769 S * 3/2018 Yaguchi D12/192

D817,832 S * 5/2018 Maezono D12/192
D819,533 S * 6/2018 Choi D12/192
D824,306 S * 7/2018 Joyce D12/192
D825,420 S * 8/2018 Boyes D12/192
D826,122 S * 8/2018 Yamamoto D12/192
D826,813 S * 8/2018 Carr D12/192
D828,259 S * 9/2018 Takagi D12/192
D828,260 S * 9/2018 Takagi D12/192
D830,927 S * 10/2018 Tanaka D12/192

* cited by examiner

Primary Examiner — Katrina A Betton

(74) *Attorney, Agent, or Firm* — Wood Herron & Evans
LLP

(57) **CLAIM**

The ornamental design for an instrument panel for a vehicle,
as shown and described.

DESCRIPTION

FIG. 1 is a front right perspective view of an instrument
panel for vehicle according to the present invention.

FIG. 2 is a front left perspective view of the instrument panel
shown in FIG. 1.

FIG. 3 is a rear left perspective view thereof.

FIG. 4 is a rear right perspective view thereof.

FIG. 5 is a front view thereof.

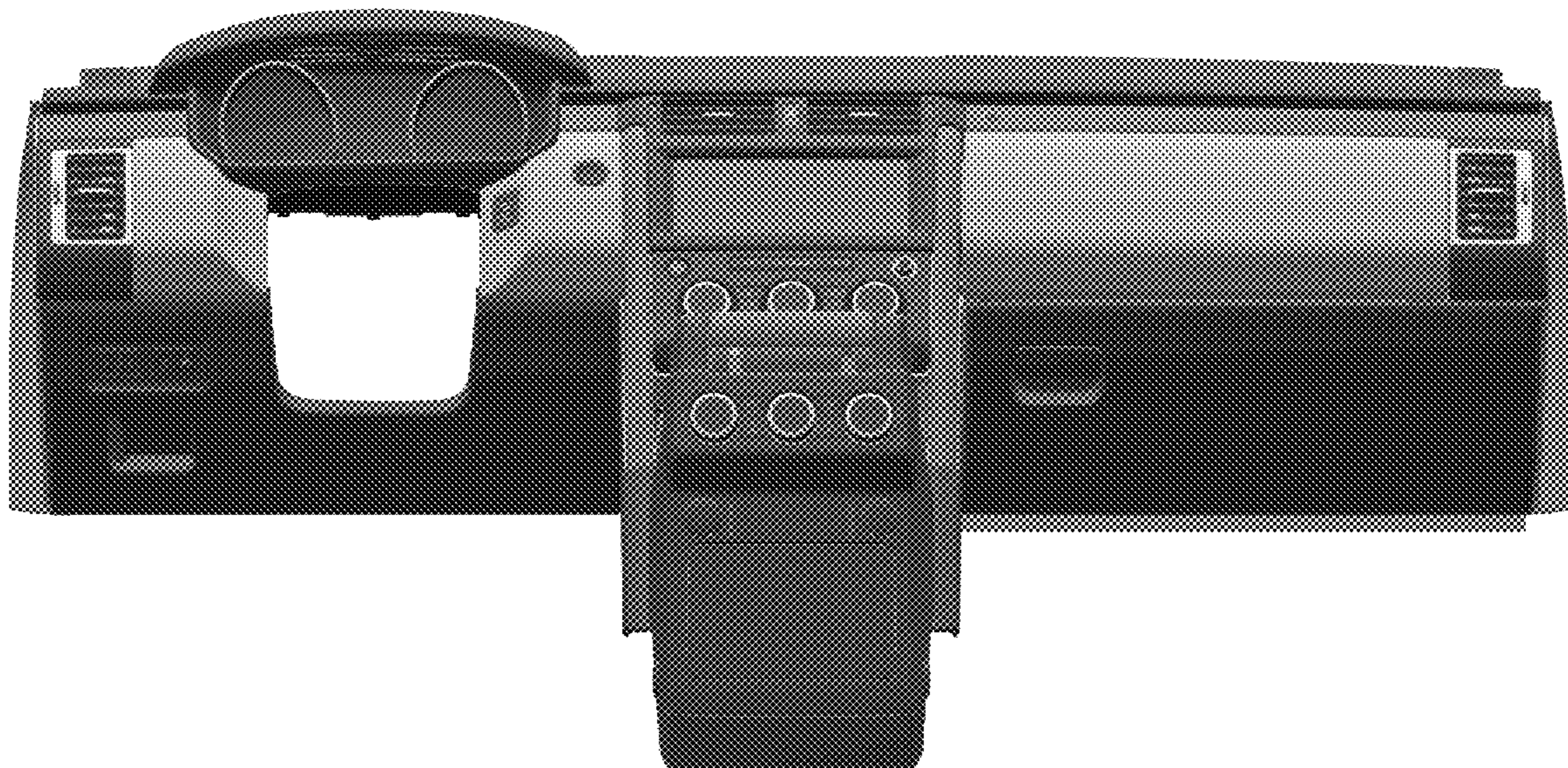
FIG. 6 is a rear view thereof.

FIG. 7 is a left side view thereof.

FIG. 8 is a right side view thereof; and,

FIG. 9 is a top view thereof.

1 Claim, 9 Drawing Sheets



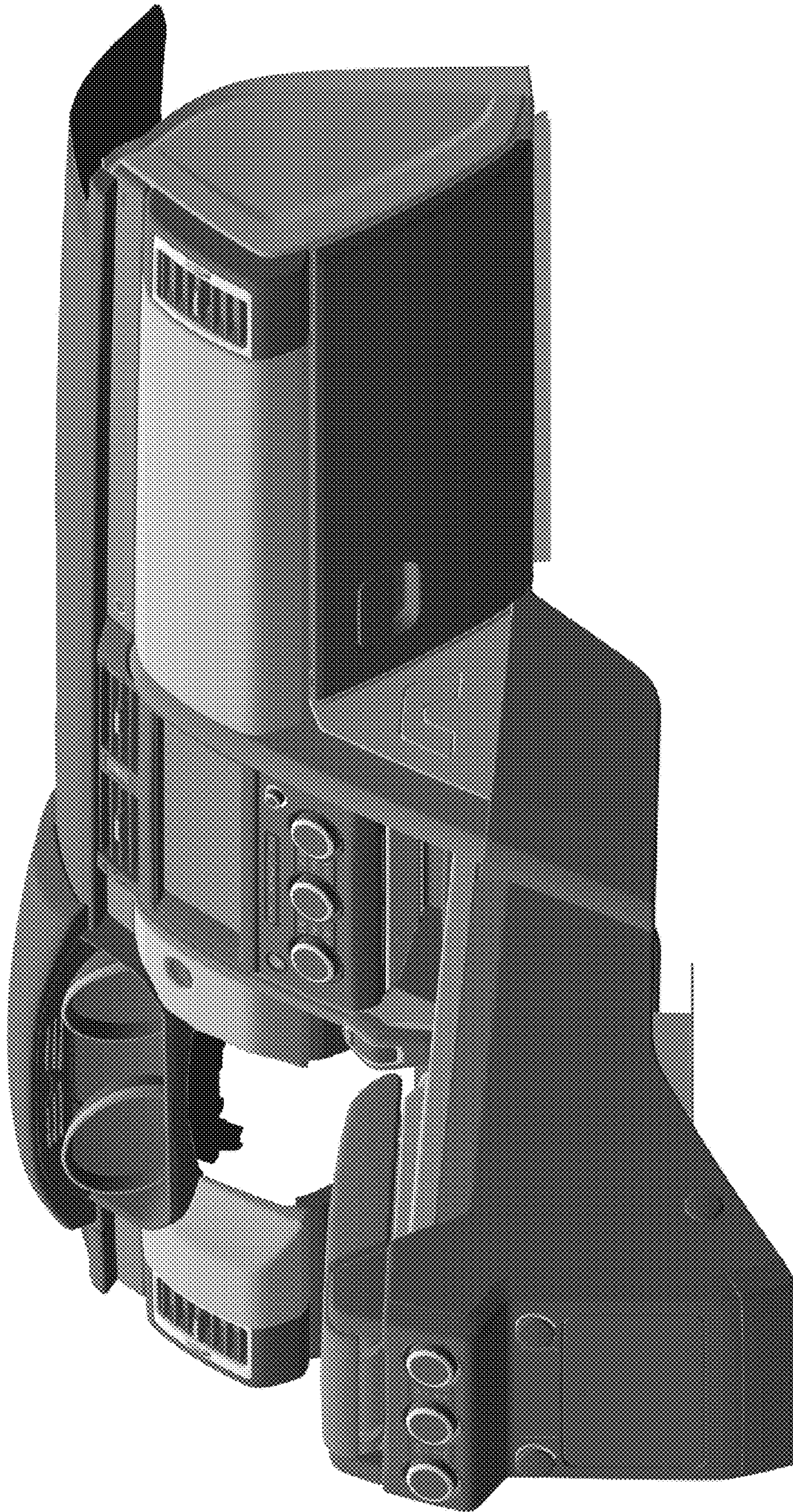


FIG. 1

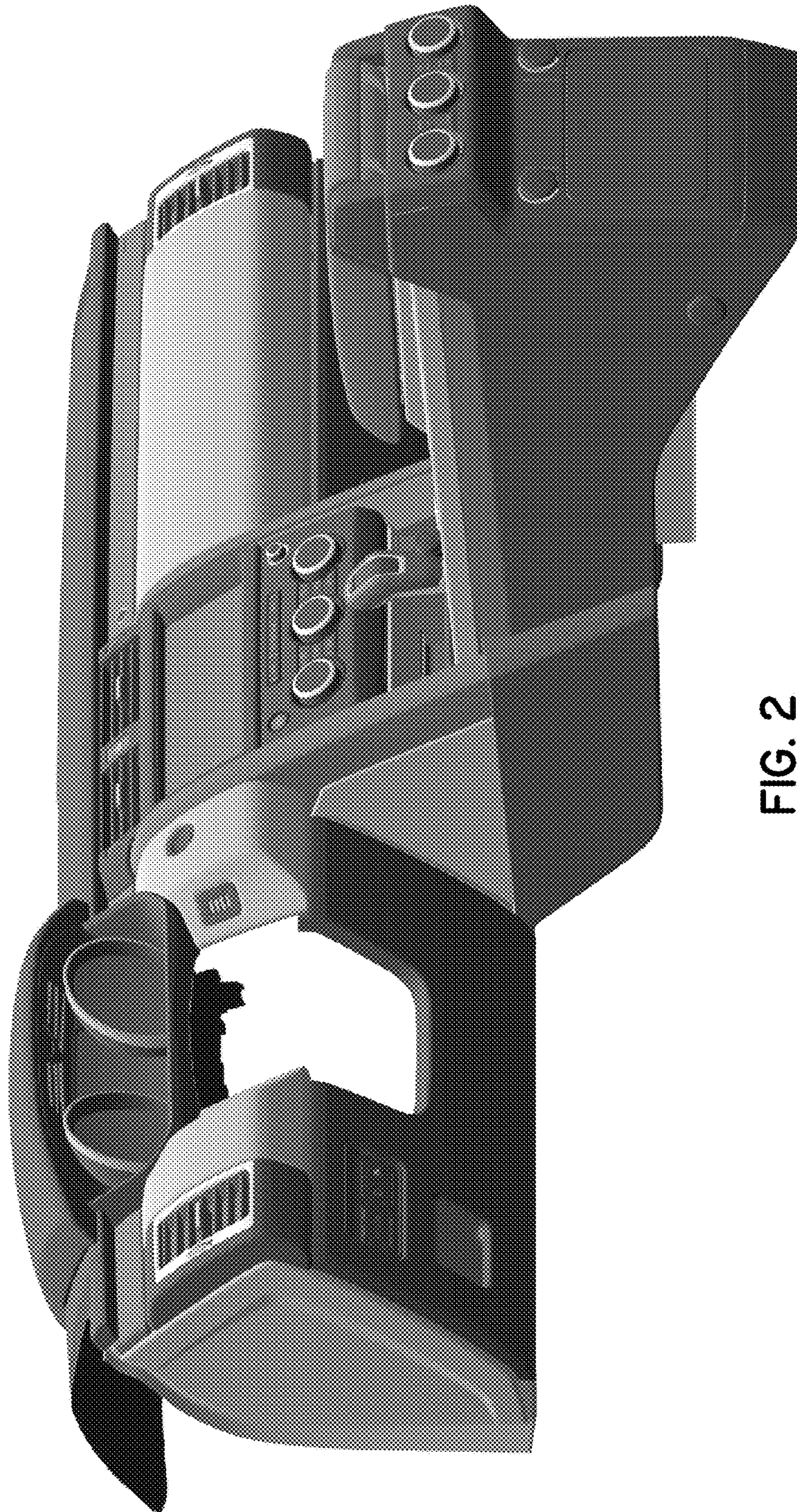


FIG. 2

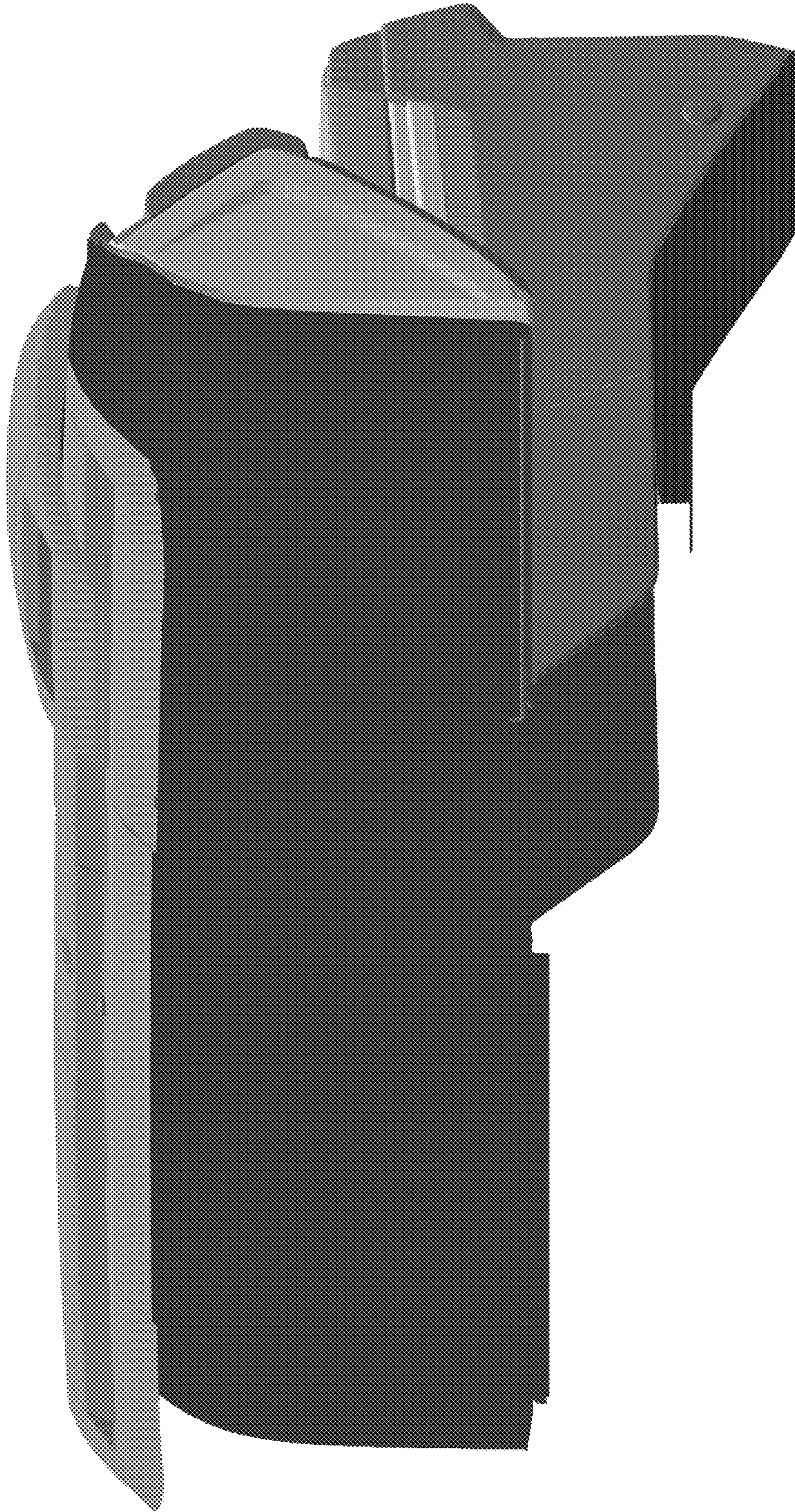


FIG. 3

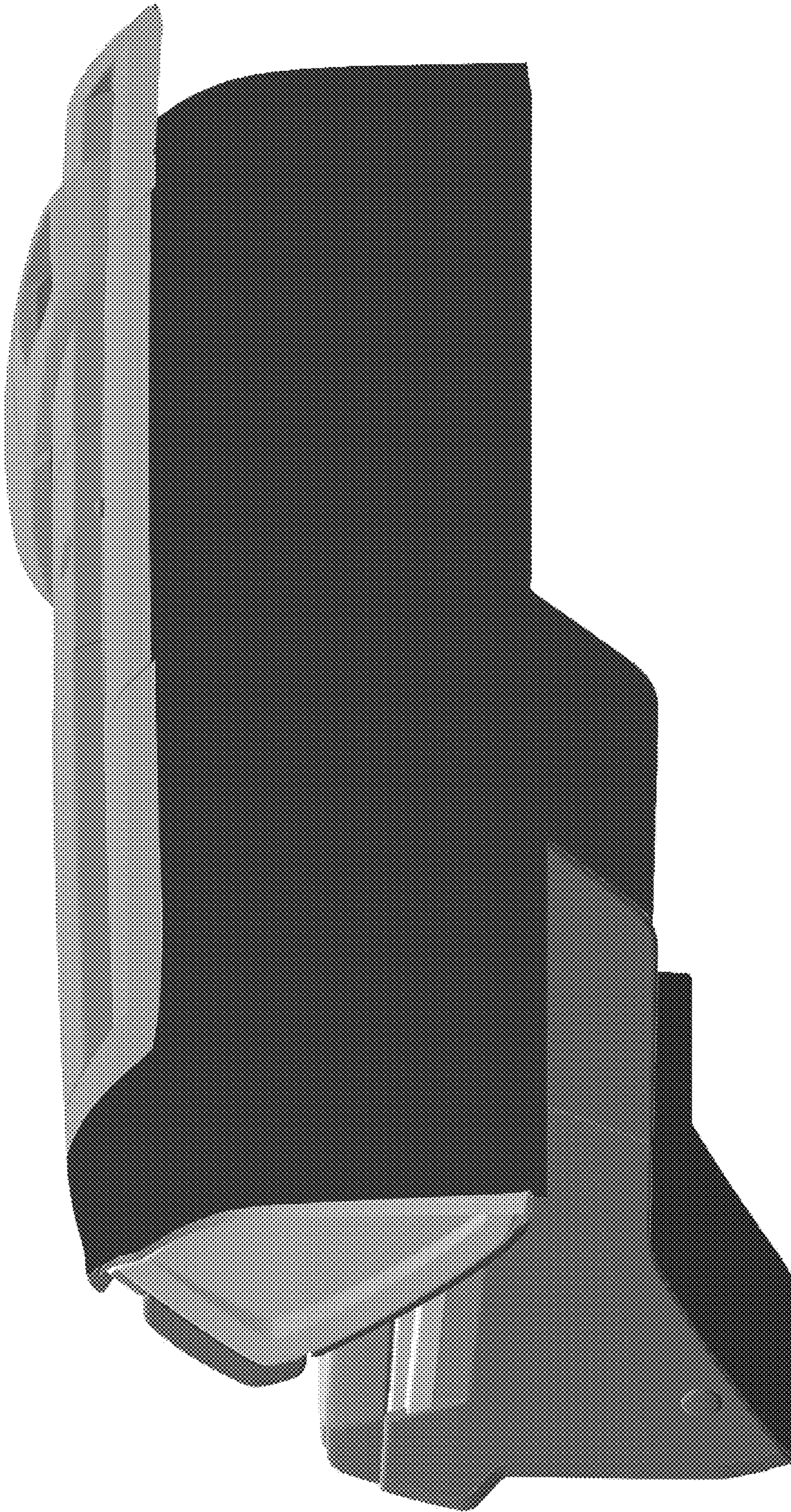


FIG. 4

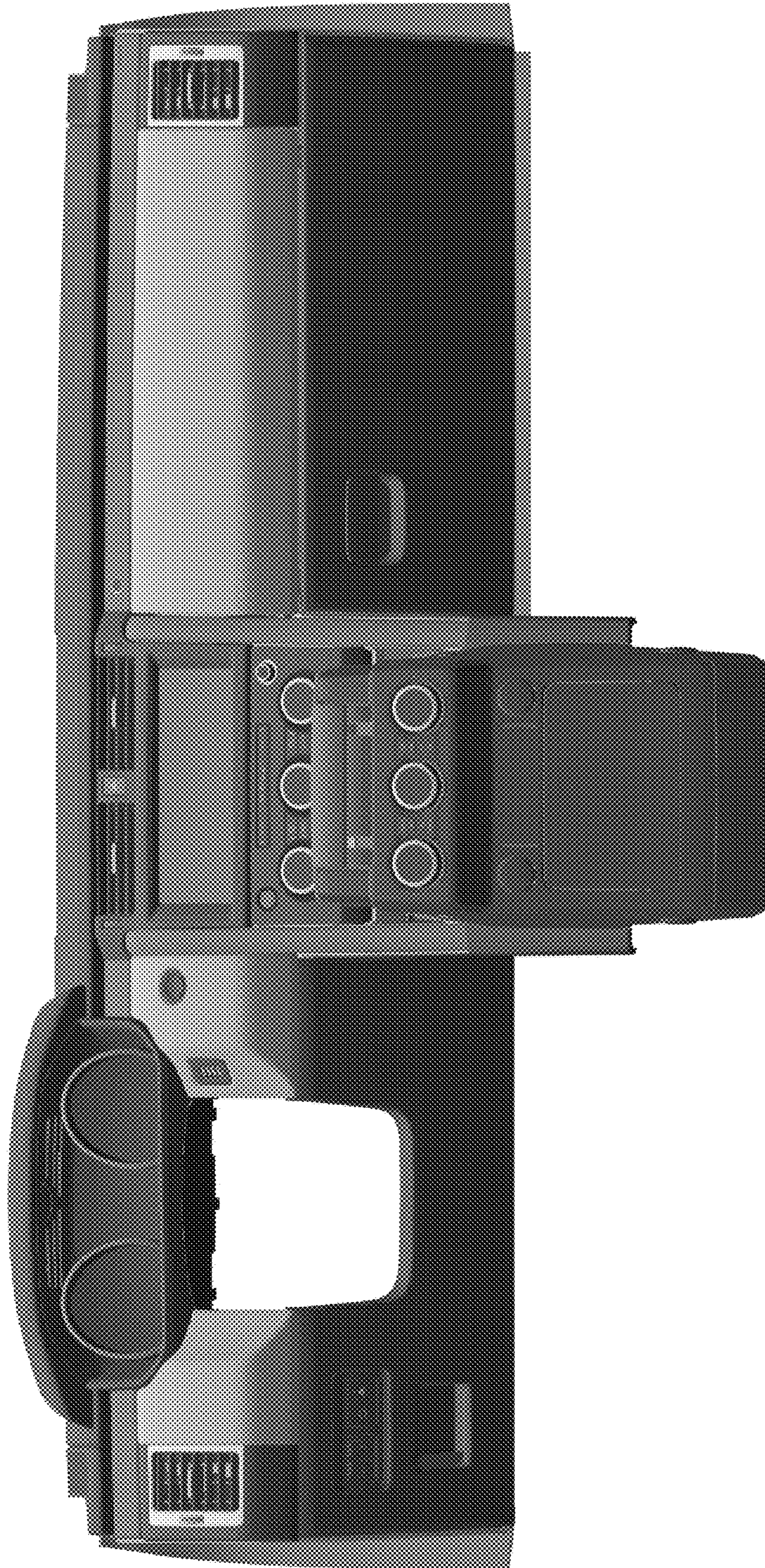


FIG. 5

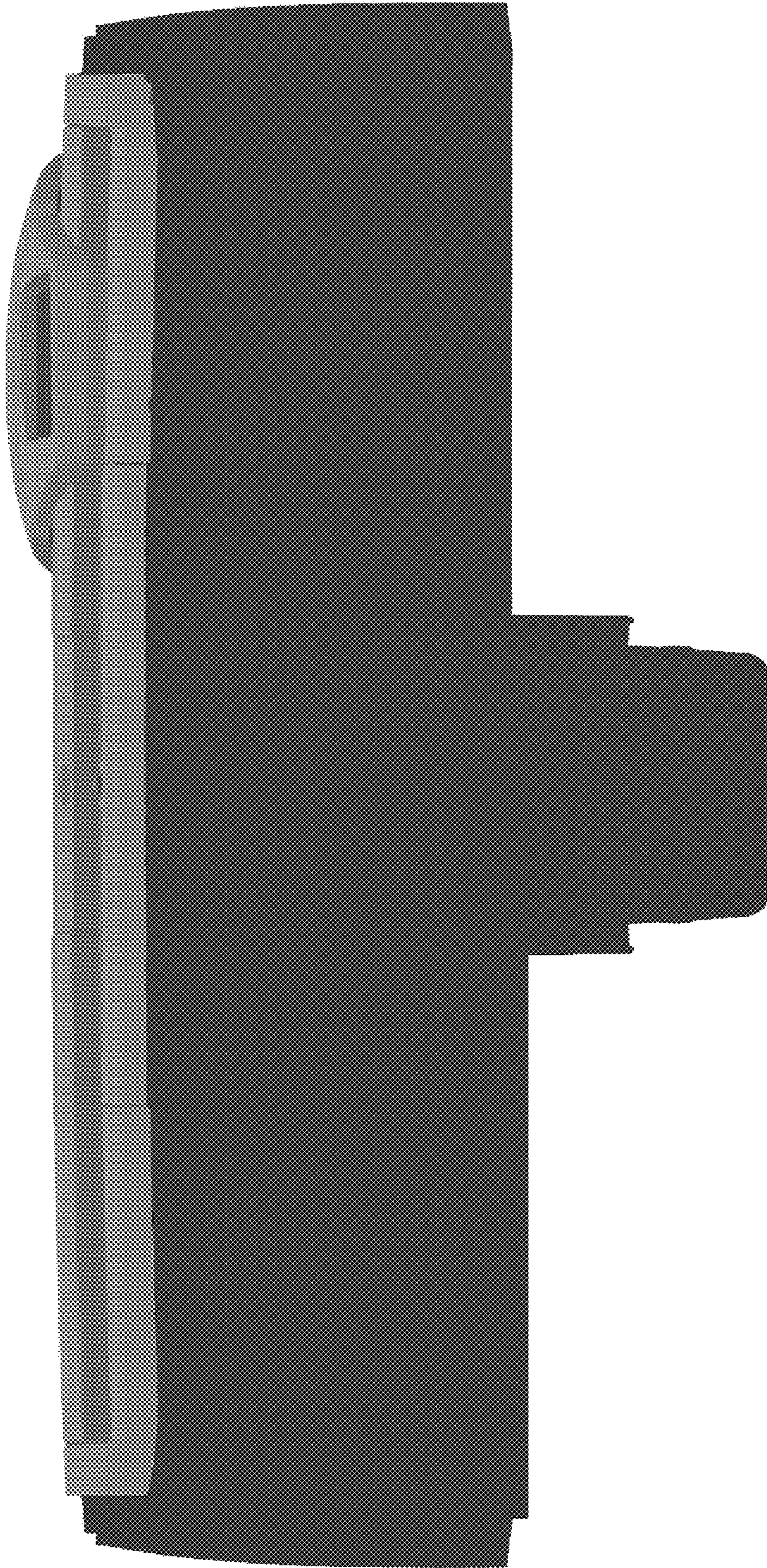


FIG. 6

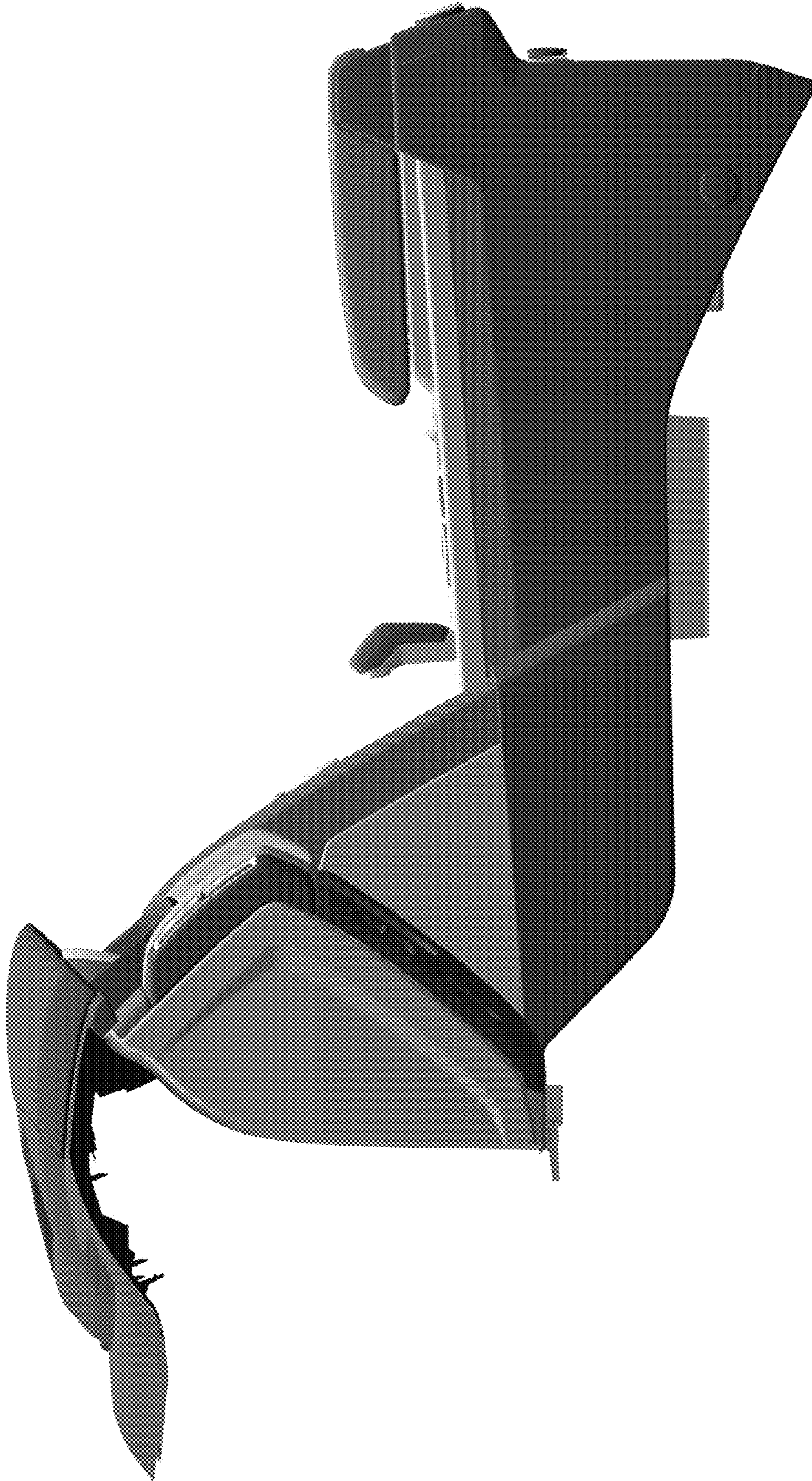


FIG. 7

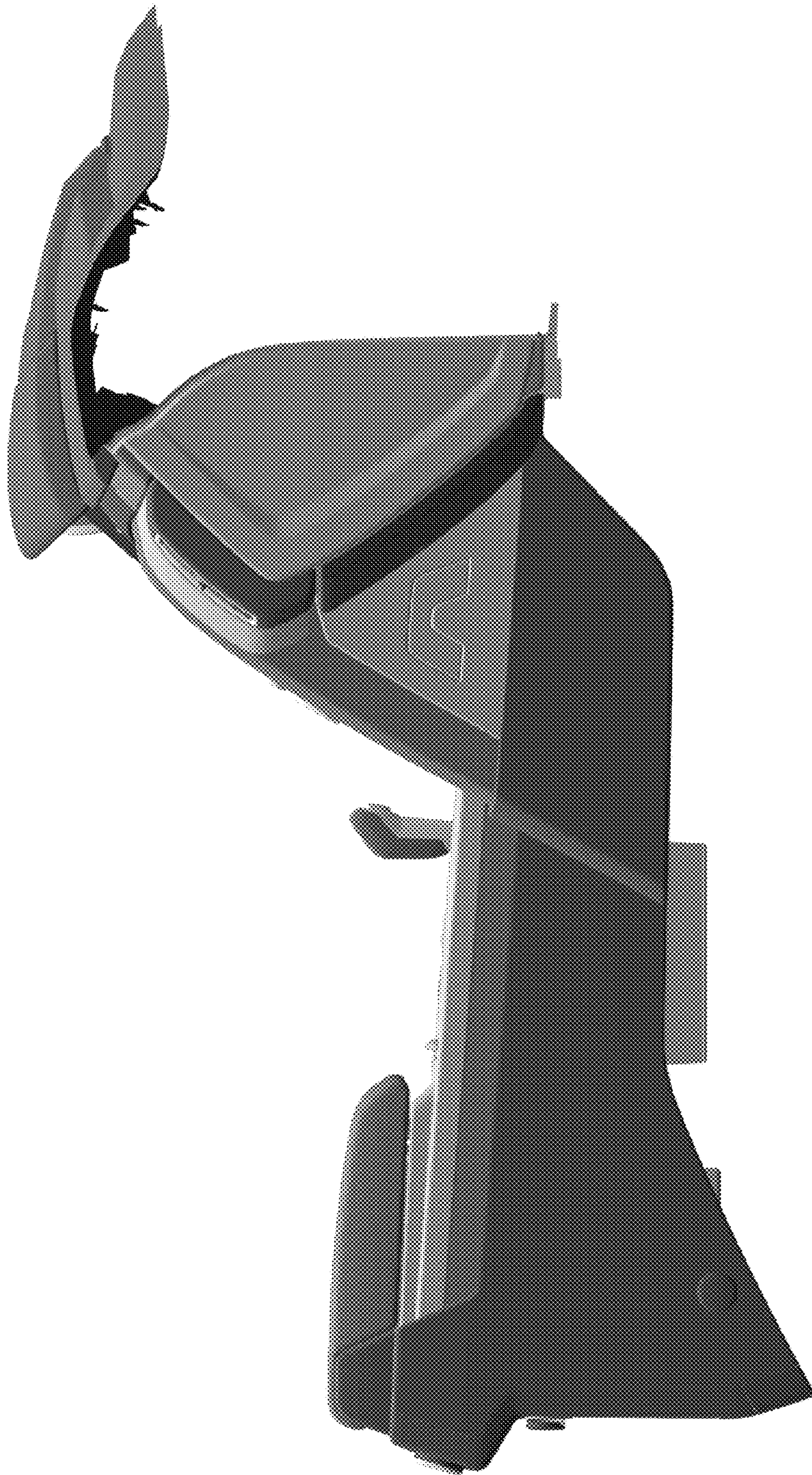


FIG. 8

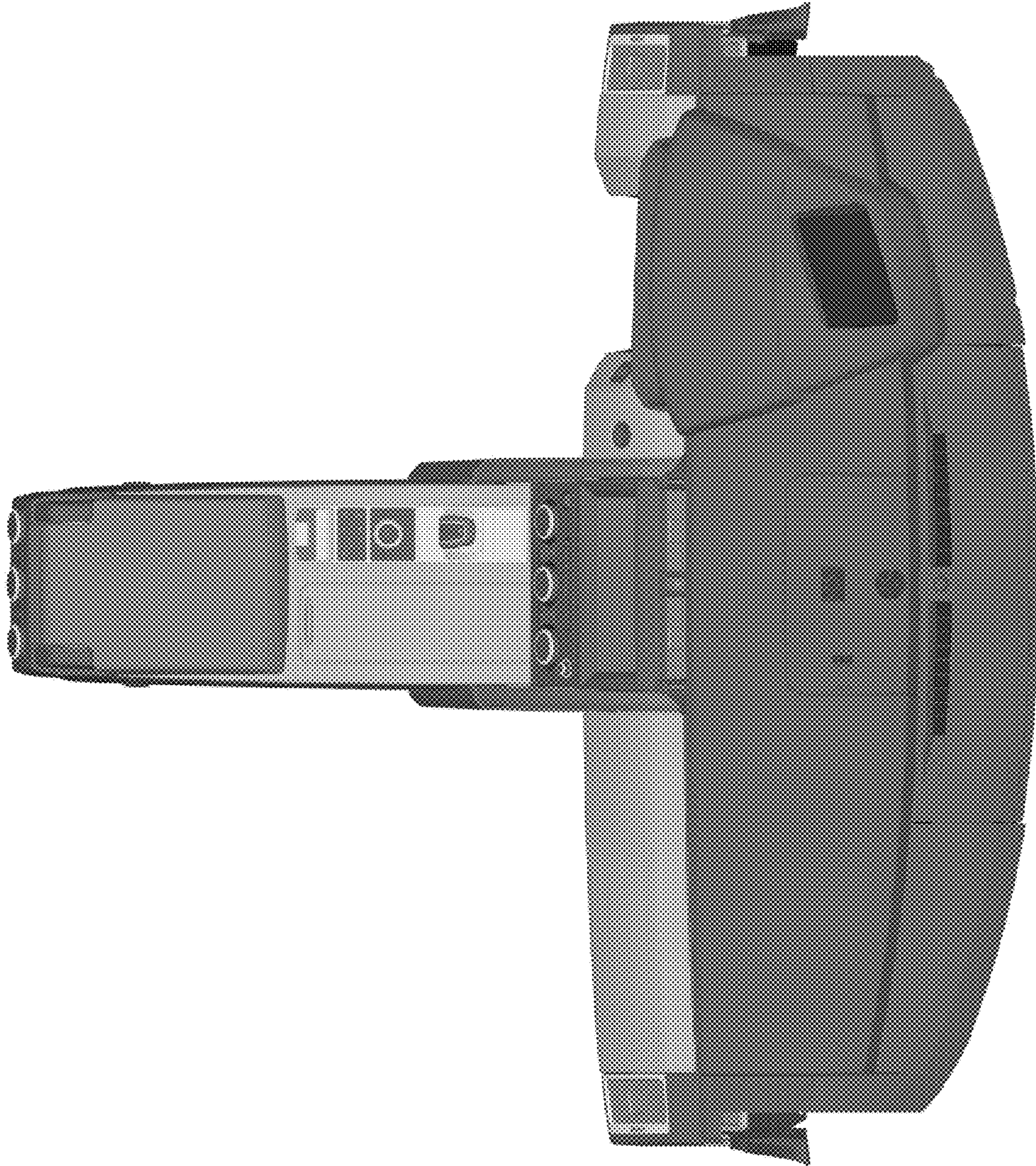


FIG. 9

UNITED STATES PATENT AND TRADEMARK OFFICE
CERTIFICATE OF CORRECTION

PATENT NO. : D847,055 S
APPLICATION NO. : 29/637689
DATED : April 30, 2019
INVENTOR(S) : Laetitia De Vienne

Page 1 of 1

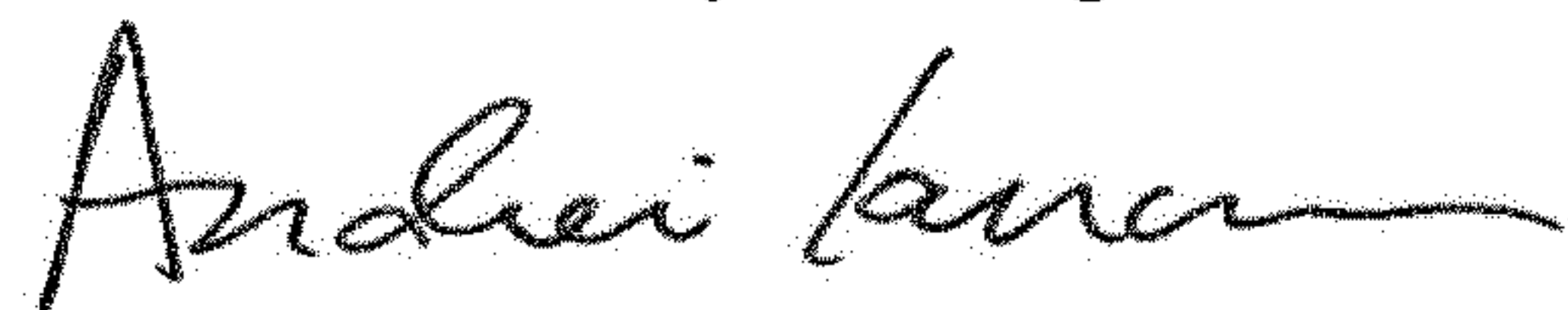
It is certified that error appears in the above-identified patent and that said Letters Patent is hereby corrected as shown below:

On the Title Page

Column 2, Under "Description"

Line 2, insert the word --a-- before the word "vehicle".

Signed and Sealed this
Thirteenth Day of August, 2019



Andrei Iancu
Director of the United States Patent and Trademark Office