



US00D847054S

(12) **United States Design Patent** (10) **Patent No.:** **US D847,054 S**
Yamada et al. (45) **Date of Patent:** **** Apr. 30, 2019**

(54) **INSTRUMENT PANEL FOR AN AUTOMOBILE**

D826,122 S * 8/2018 Yamamoto D12/192
D828,260 S * 9/2018 Takagi D12/192
D830,927 S * 10/2018 Tanaka D12/192

(71) Applicants: **Yosuke Yamada**, Nagoya (JP); **Akihisa Okada**, Nagoya (JP)

OTHER PUBLICATIONS

(72) Inventors: **Yosuke Yamada**, Nagoya (JP); **Akihisa Okada**, Nagoya (JP)

motortrend.com, Mazda Demio, <https://image.motortrend.com/f/roadtests/hatchbacks/1407_2016_mazda2_japanese_spec_first_drive/70591628/2016-mazda2-japanese-spec-interior.jpg>, available as early as Aug. 11, 2017.

(73) Assignee: **TOYOTA JIDOSHA KABUSHIKI KAISHA** (JP)

Audi Mediacycenter, Audi A4 allroad quattro , <<https://www.audi-mediacycenter.com/en/audi-a4-allroad-quattro-26>>, available as early as Aug. 11, 2017.

(**) Term: **15 Years**

* cited by examiner

(21) Appl. No.: **29/633,886**

Primary Examiner — Katrina A Betton

(22) Filed: **Jan. 17, 2018**

(74) *Attorney, Agent, or Firm* — Saidman DesignLaw Group, LLC

(51) **LOC (11) Cl.** **12-16**

(52) **U.S. Cl.**
USPC **D12/192**

(58) **Field of Classification Search**
USPC D12/192, 415, 114, 345; D15/17, 28;
D10/46, 98, 102–103, 122–127; D23/324
See application file for complete search history.

(57) **CLAIM**

The ornamental design for an instrument panel for an automobile, as shown and described.

DESCRIPTION

(56) **References Cited**

U.S. PATENT DOCUMENTS

D791,664 S * 7/2017 Igarashi D12/192
D793,931 S * 8/2017 Lee D12/192
D803,743 S * 11/2017 Igarashi D12/192
D804,380 S * 12/2017 Nakai D12/192
D807,266 S * 1/2018 Hasegawa D12/192
D810,643 S * 2/2018 Takamura D12/192
D812,536 S * 3/2018 Matsuda D12/192
D813,769 S * 3/2018 Yaguchi D12/192
D819,533 S * 6/2018 Choi D12/192

FIG. 1 is a perspective view of an instrument panel for an automobile showing our new design;
FIG. 2 is a front view thereof;
FIG. 3 is a rear view thereof;
FIG. 4 is a top view thereof;
FIG. 5 is a bottom view thereof;
FIG. 6 is a left side view thereof; and,
FIG. 7 is a right side view thereof.

The claimed design is indicated by the relatively dark portions in the figures. The relatively light portions form no part of the claimed design.

1 Claim, 7 Drawing Sheets

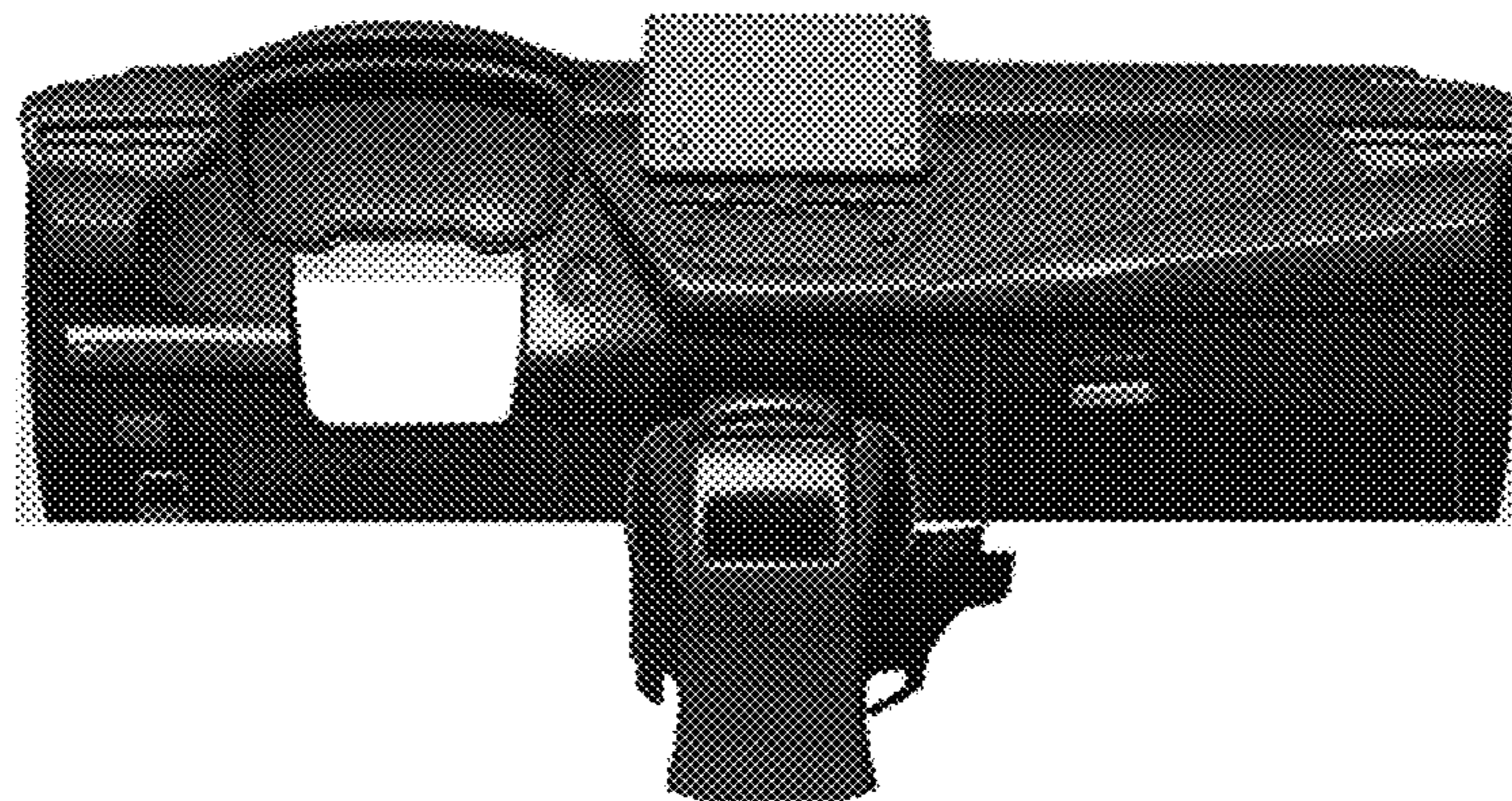




FIG. 1

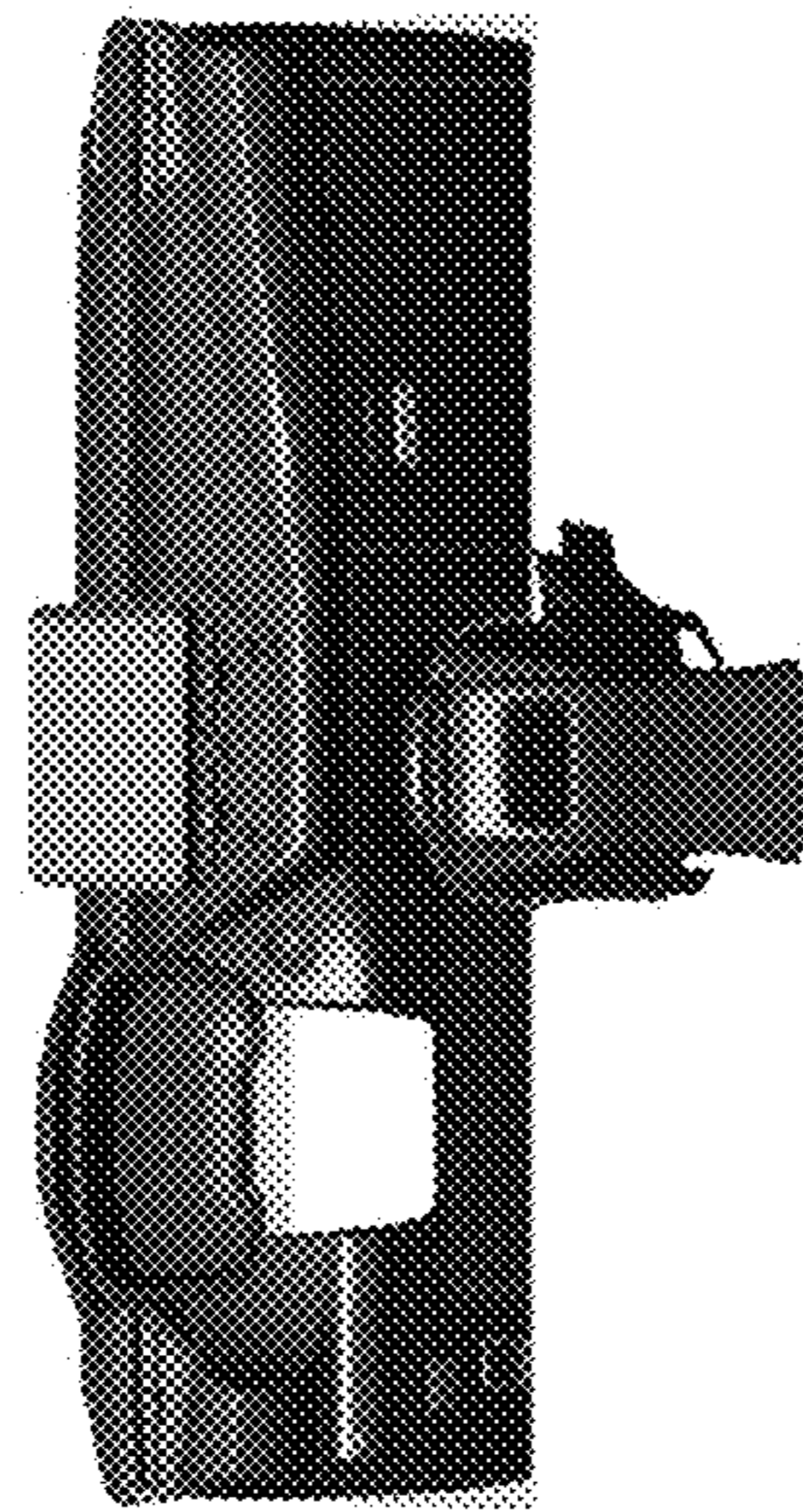


FIG. 2

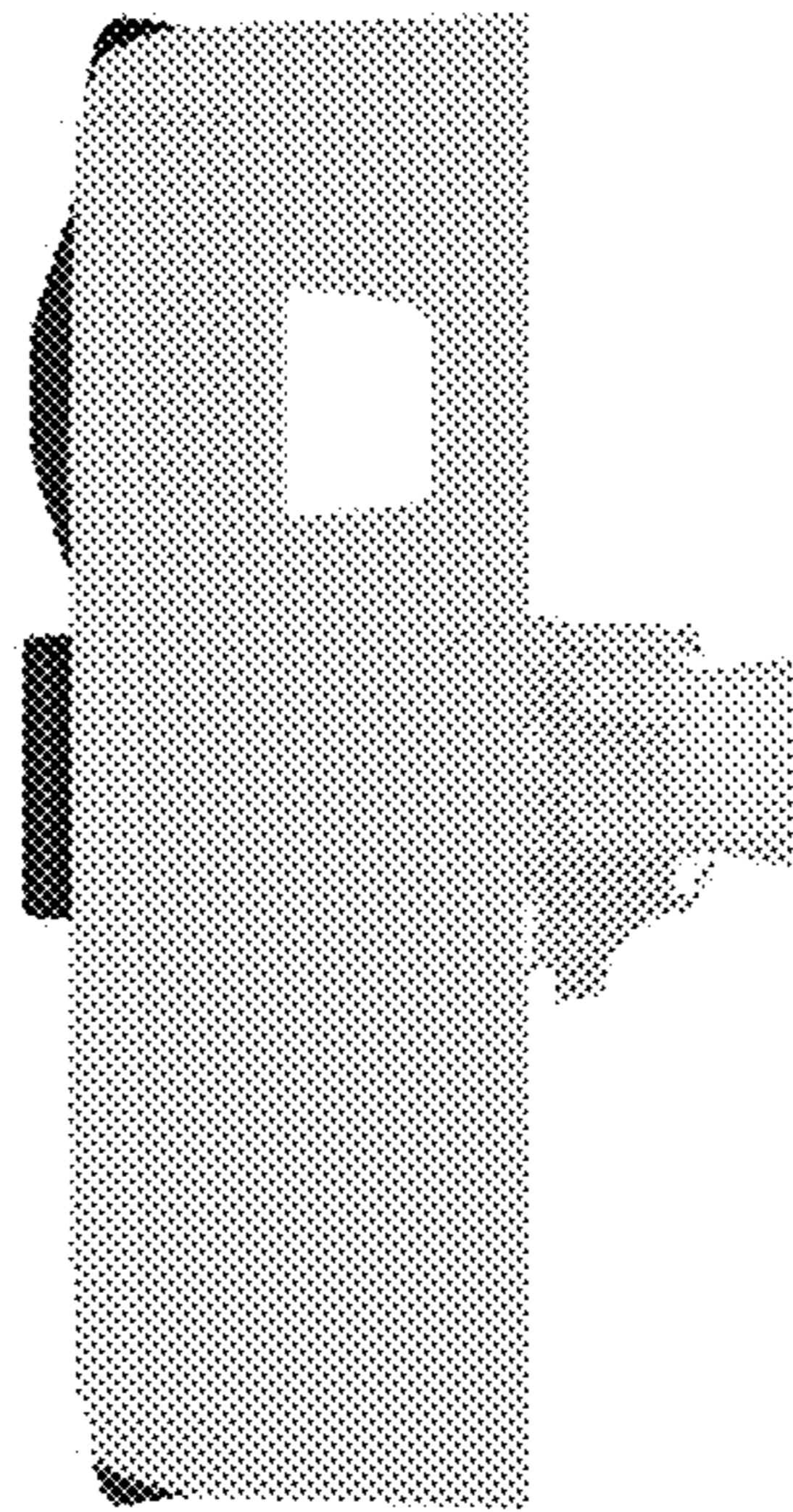


FIG. 3

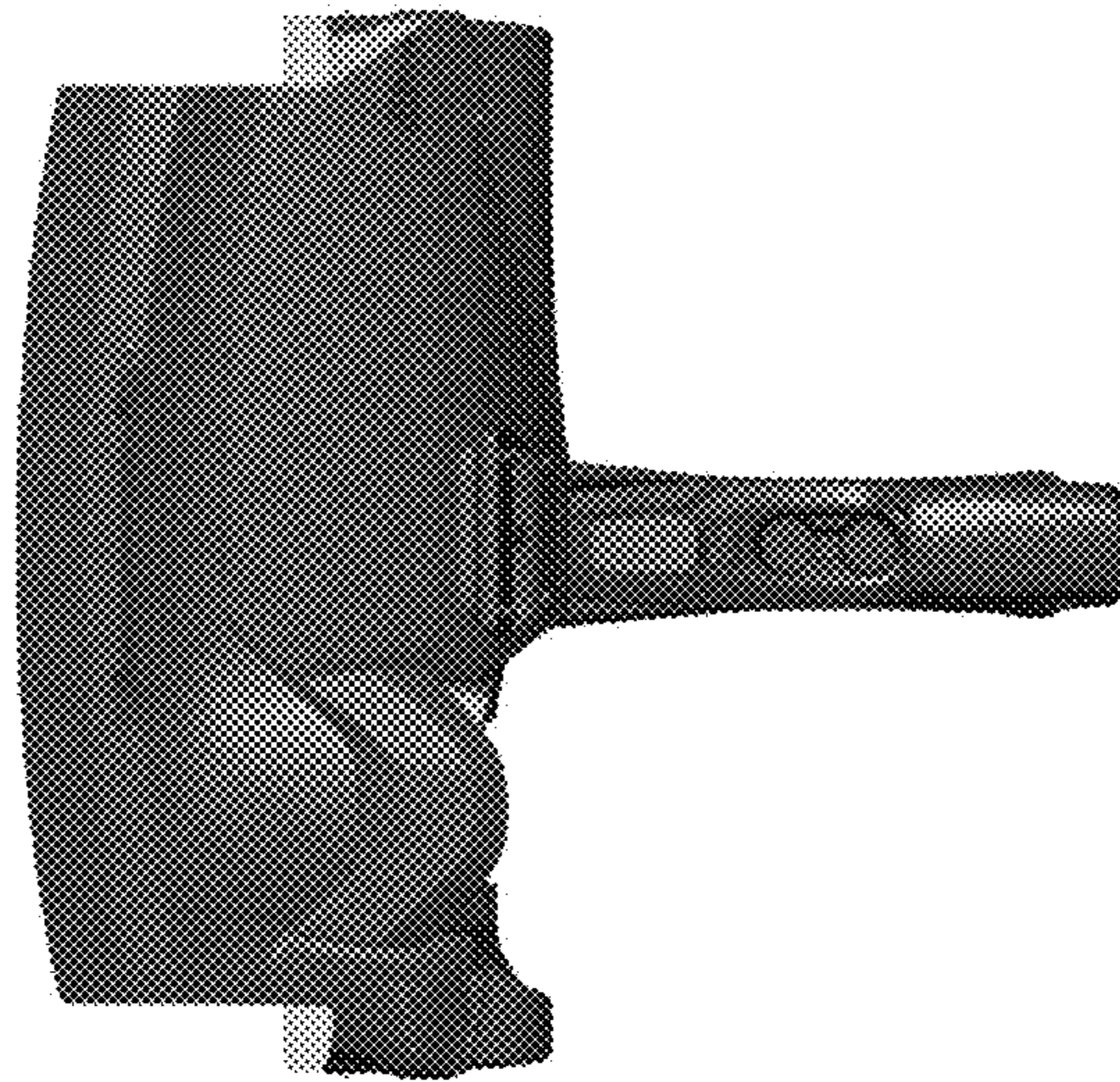


FIG. 4

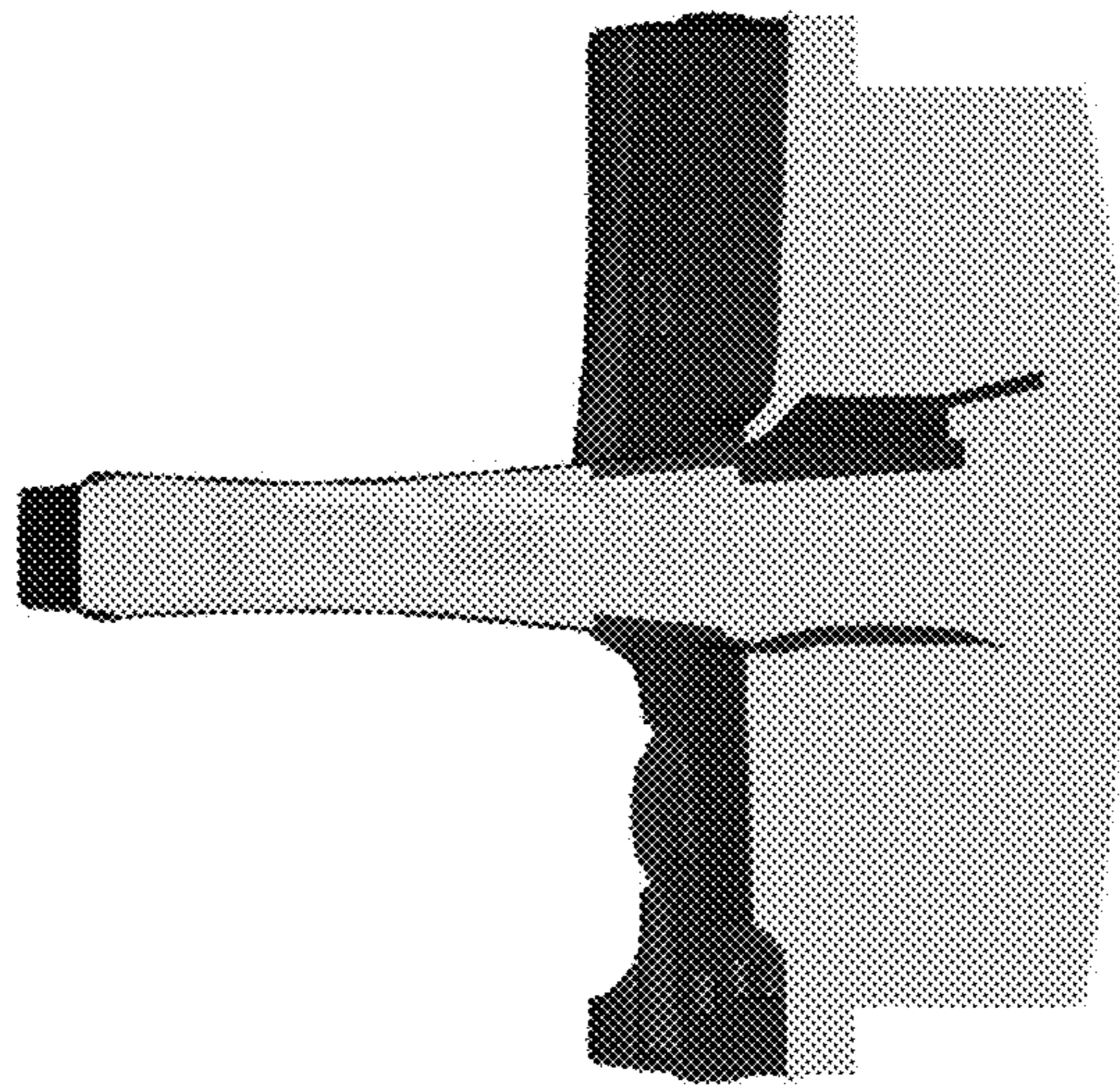


FIG. 5

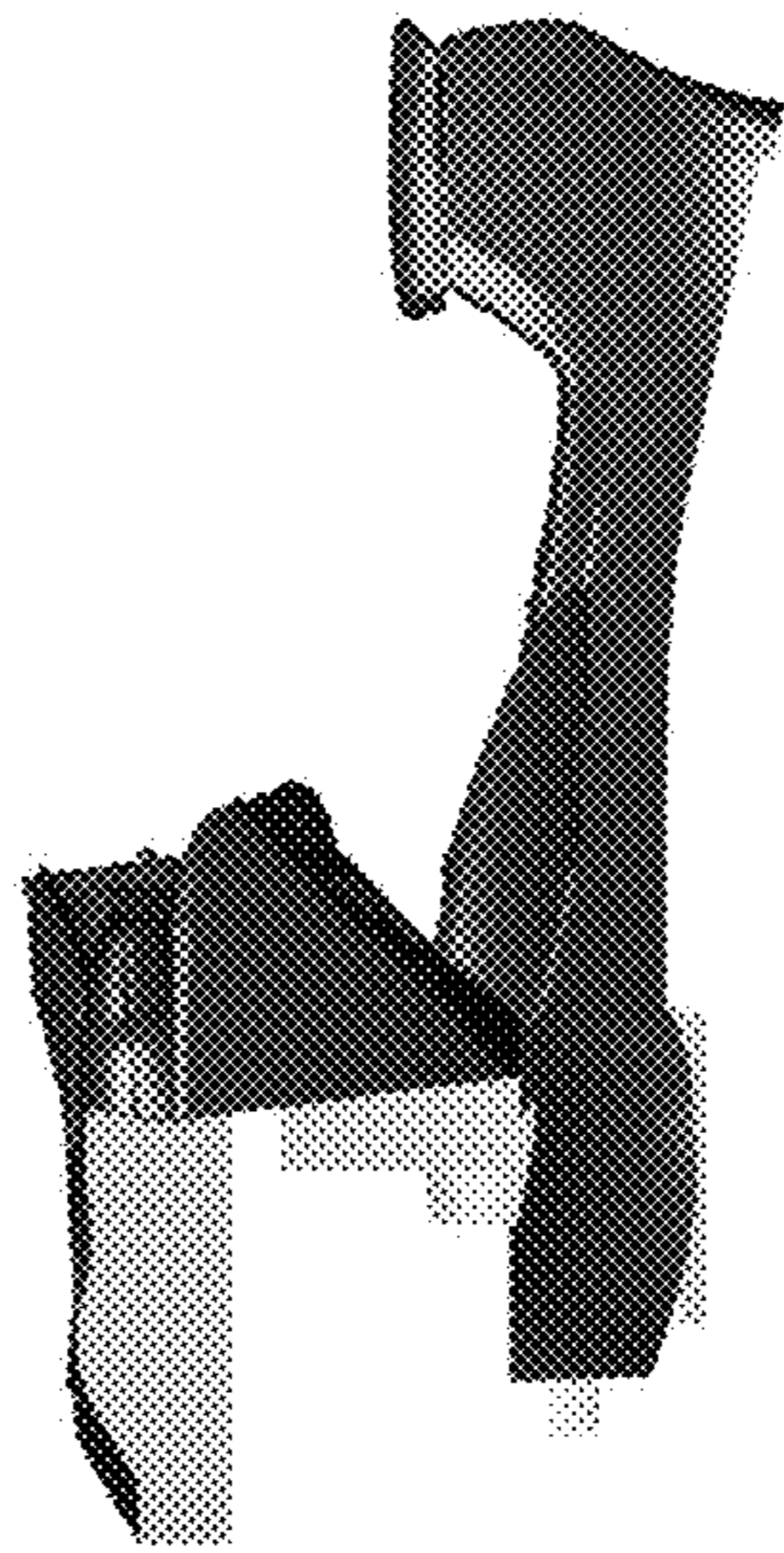


FIG. 6

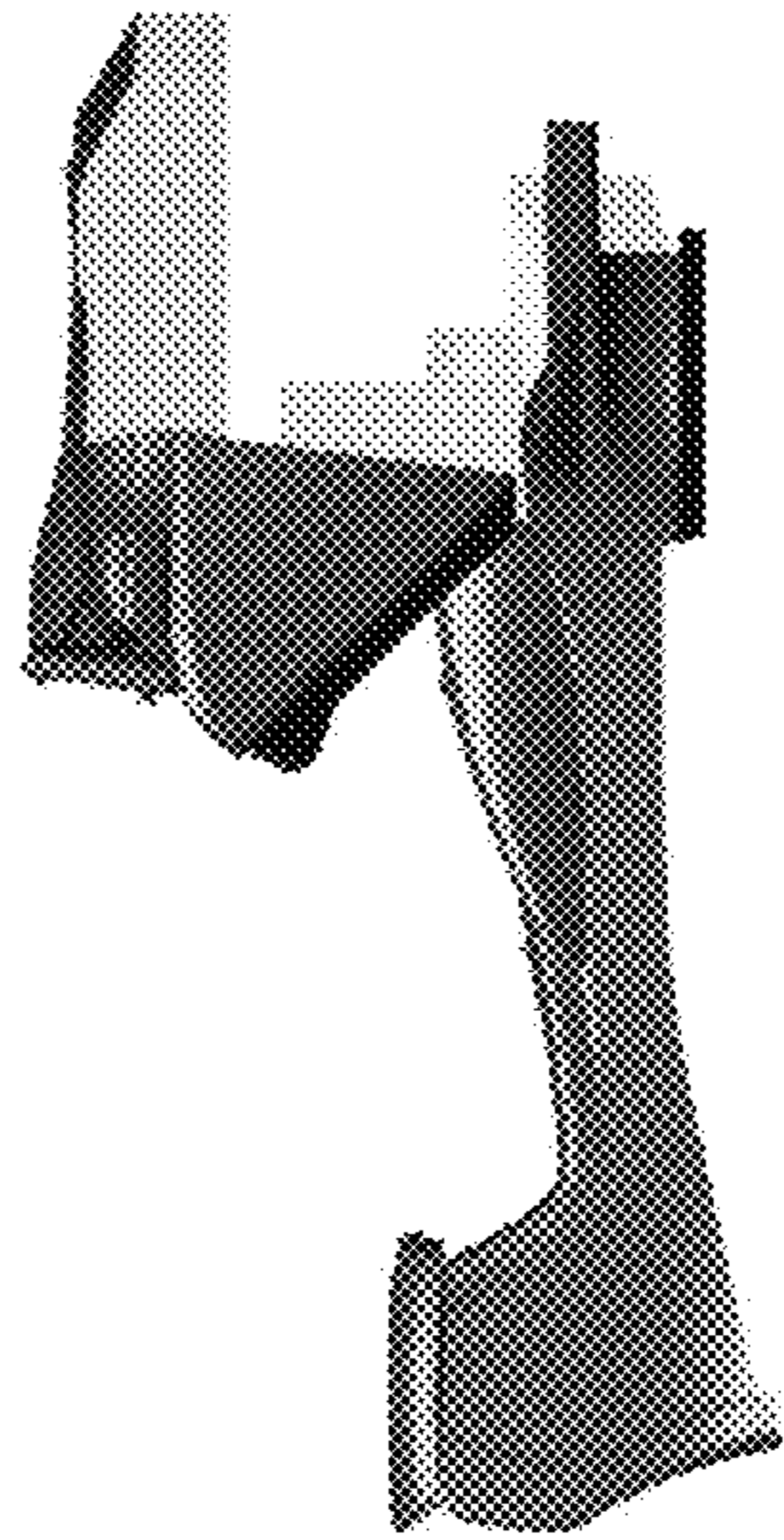


FIG. 7