



US00D847053S

(12) **United States Design Patent**
Klein et al.

(10) **Patent No.:** **US D847,053 S**

(45) **Date of Patent:** **** Apr. 30, 2019**

(54) **MOTORCYCLE FENDER**

(71) Applicant: **Unlimited Baggers, LLC**, Corona, CA (US)

(72) Inventors: **Paul C. Klein**, Corona, CA (US);
Craig McLean, Winchester, CA (US)

(73) Assignee: **Unlimited Baggers, LLC**, Corona, CA (US)

(**) Term: **15 Years**

(21) Appl. No.: **29/599,229**

(22) Filed: **Mar. 31, 2017**

(51) **LOC (11) Cl.** **12-16**

(52) **U.S. Cl.**
USPC **D12/186**

(58) **Field of Classification Search**
USPC D12/110, 111, 114, 126, 184–186
CPC B62J 15/00; B62J 23/00
See application file for complete search history.

(56) **References Cited**

U.S. PATENT DOCUMENTS

D242,913 S *	1/1977	Petty	D12/186
D279,974 S *	8/1985	Komori	D12/186
D383,106 S *	9/1997	Rice	D12/186
D409,539 S *	5/1999	Hanlon	D12/186
D409,964 S *	5/1999	Hanlon	D12/186
6,557,876 B2 *	5/2003	Saiki	B62J 15/02 280/152.1
D482,304 S *	11/2003	Song	D12/186

D496,614 S *	9/2004	Everitt	D12/186
D499,994 S *	12/2004	Sugimoto	D12/186
D551,142 S *	9/2007	Simpson	D12/186
D581,845 S *	12/2008	Longpre	D12/107
D594,392 S *	6/2009	Nishihara	D12/186
D617,703 S *	6/2010	Ilmberger	D12/186
D627,283 S *	11/2010	Ilmberger	D12/186
D635,496 S *	4/2011	Serbinski	D12/186
8,191,912 B2 *	6/2012	Serbinski	B62J 15/04 280/152.1
D694,686 S *	12/2013	Deluy	D12/186
D787,396 S *	5/2017	Serbinski	D12/184

* cited by examiner

Primary Examiner — Darlington Ly

(74) *Attorney, Agent, or Firm* — Ice Miller LLP

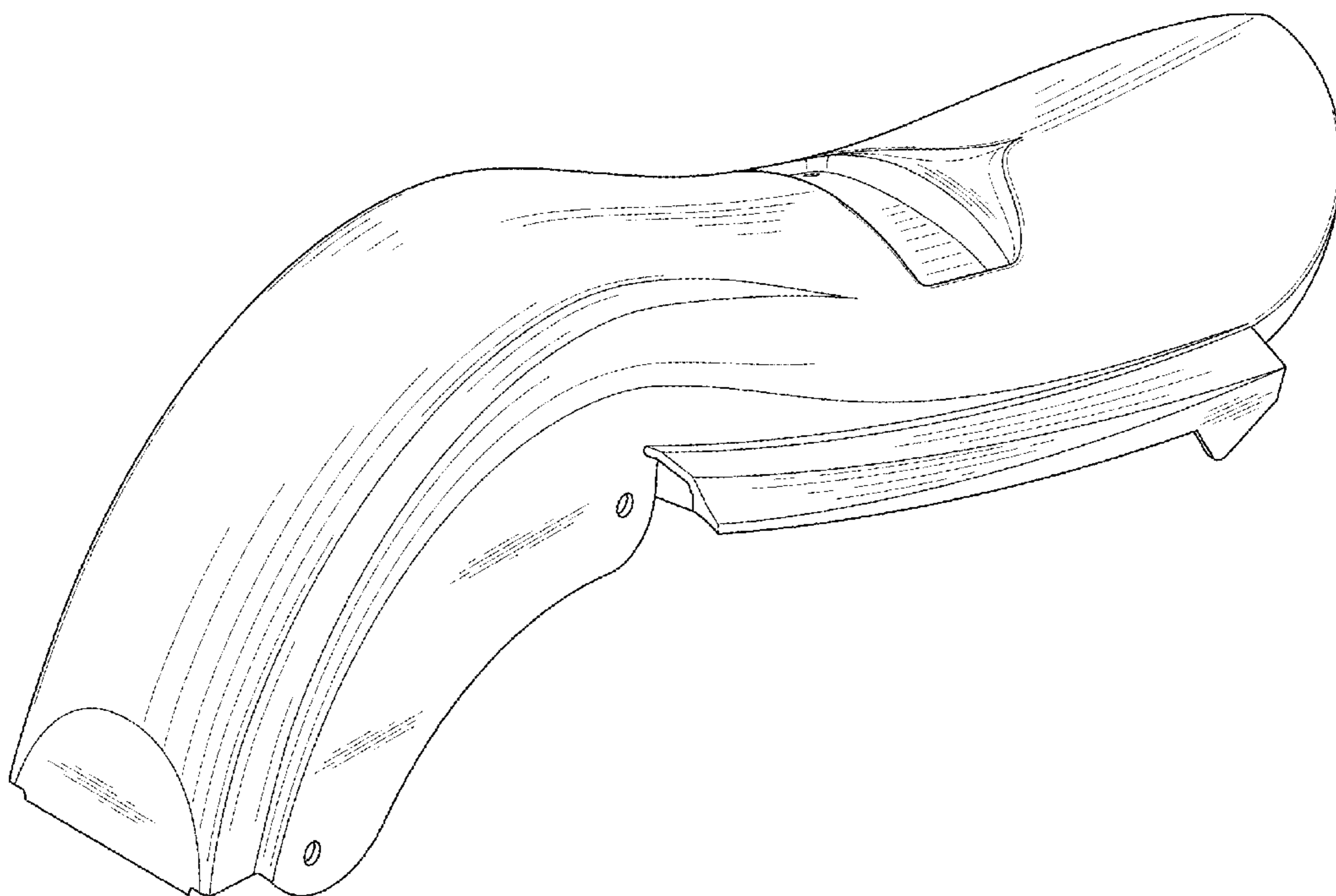
(57) **CLAIM**

The ornamental design for a motorcycle fender, as shown and described.

DESCRIPTION

FIG. 1 is a left side elevation view of the motorcycle fender; FIG. 2 is a front elevation view of the motorcycle fender; FIG. 3 is a rear elevation view of the motorcycle fender; FIG. 4 is a top plan view of the motorcycle fender; FIG. 5 is a bottom plan view of the motorcycle fender; FIG. 6 is a front perspective view of the motorcycle fender; and, FIG. 7 is a rear perspective view of the motorcycle fender. The right side elevation view is a mirror image of the left side elevation view of the motorcycle fender of FIG. 1. All of the broken lines illustrate portions of the motorcycle fender that form no part of the claimed design.

1 Claim, 6 Drawing Sheets



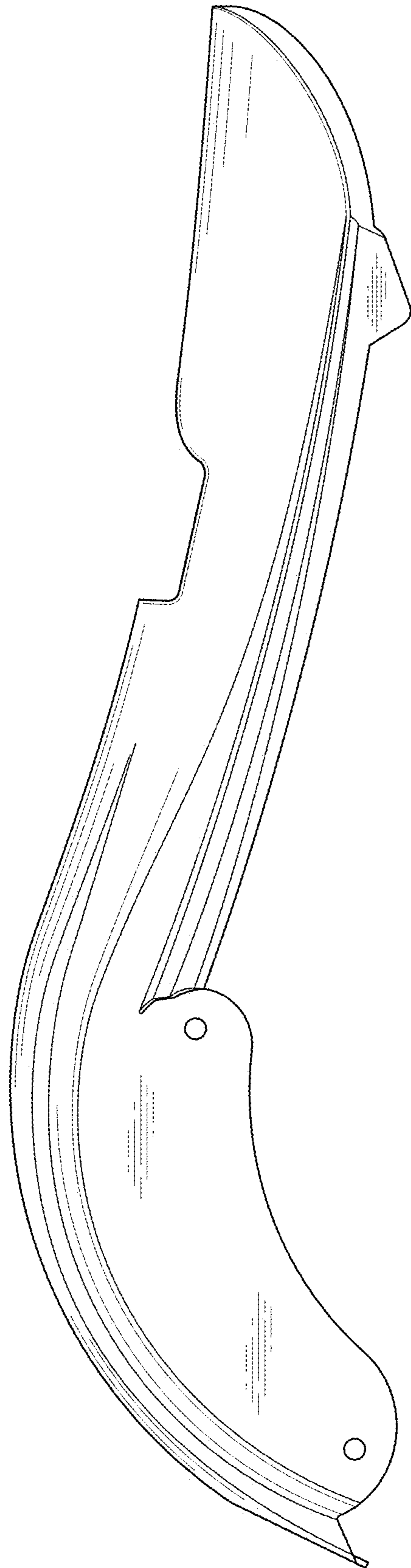


FIG. 1

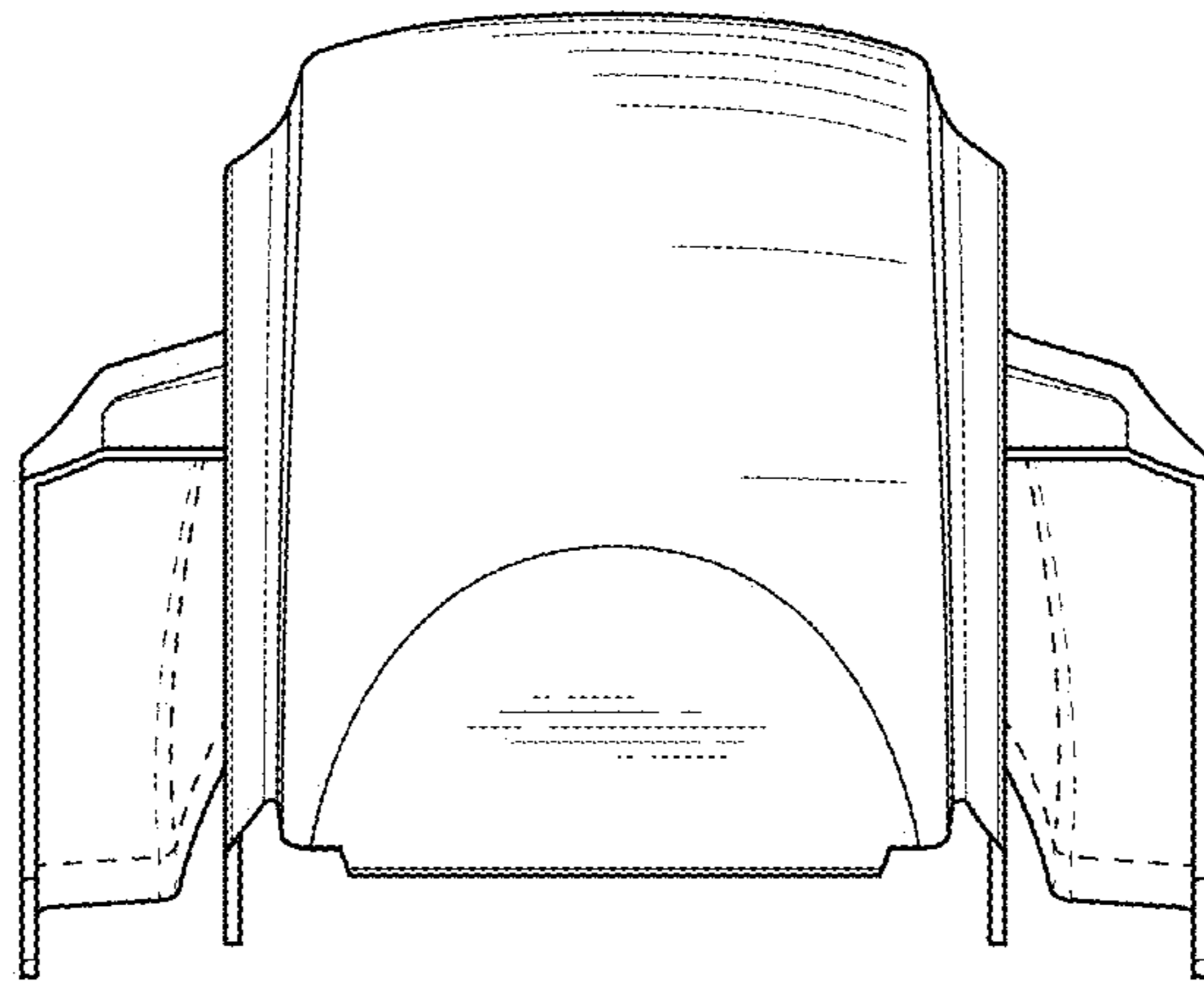


FIG. 2

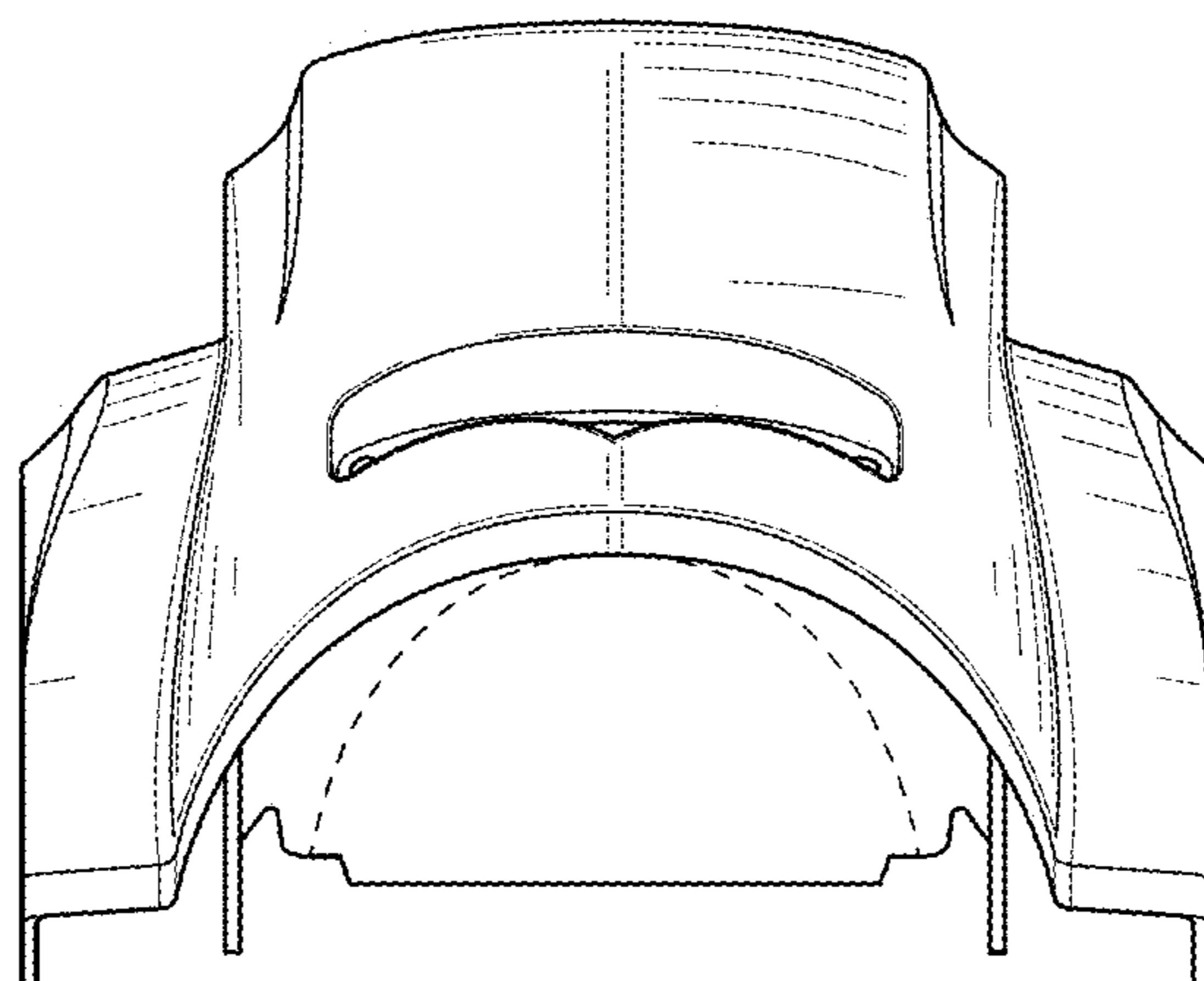


FIG. 3

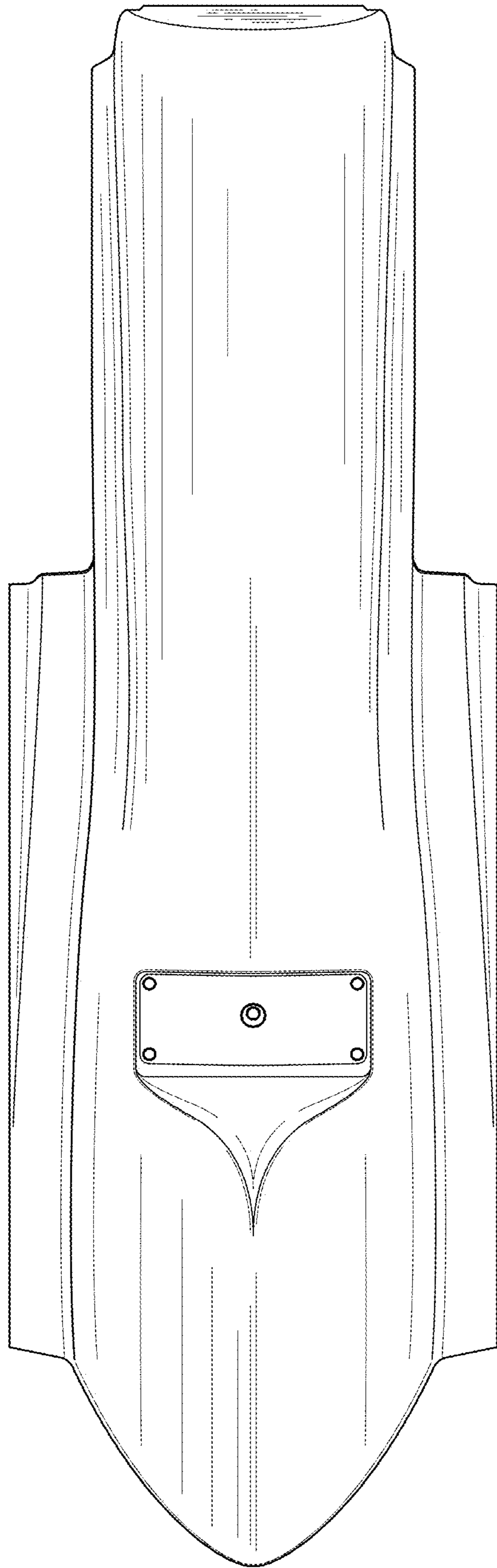


FIG. 4

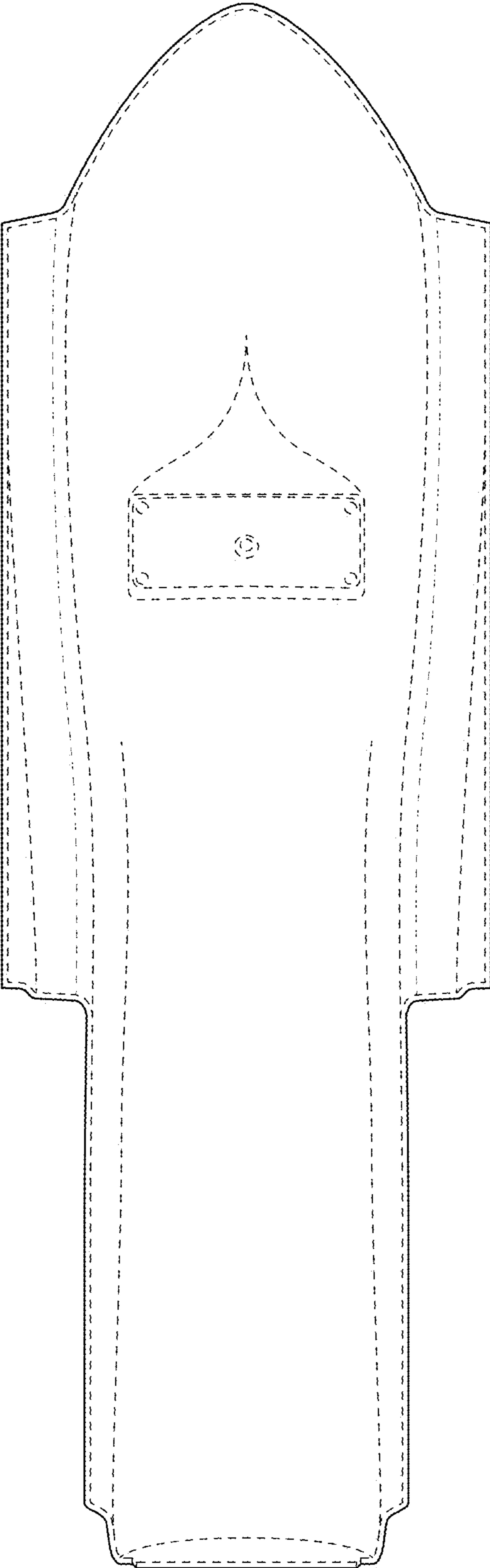


FIG. 5



FIG. 6

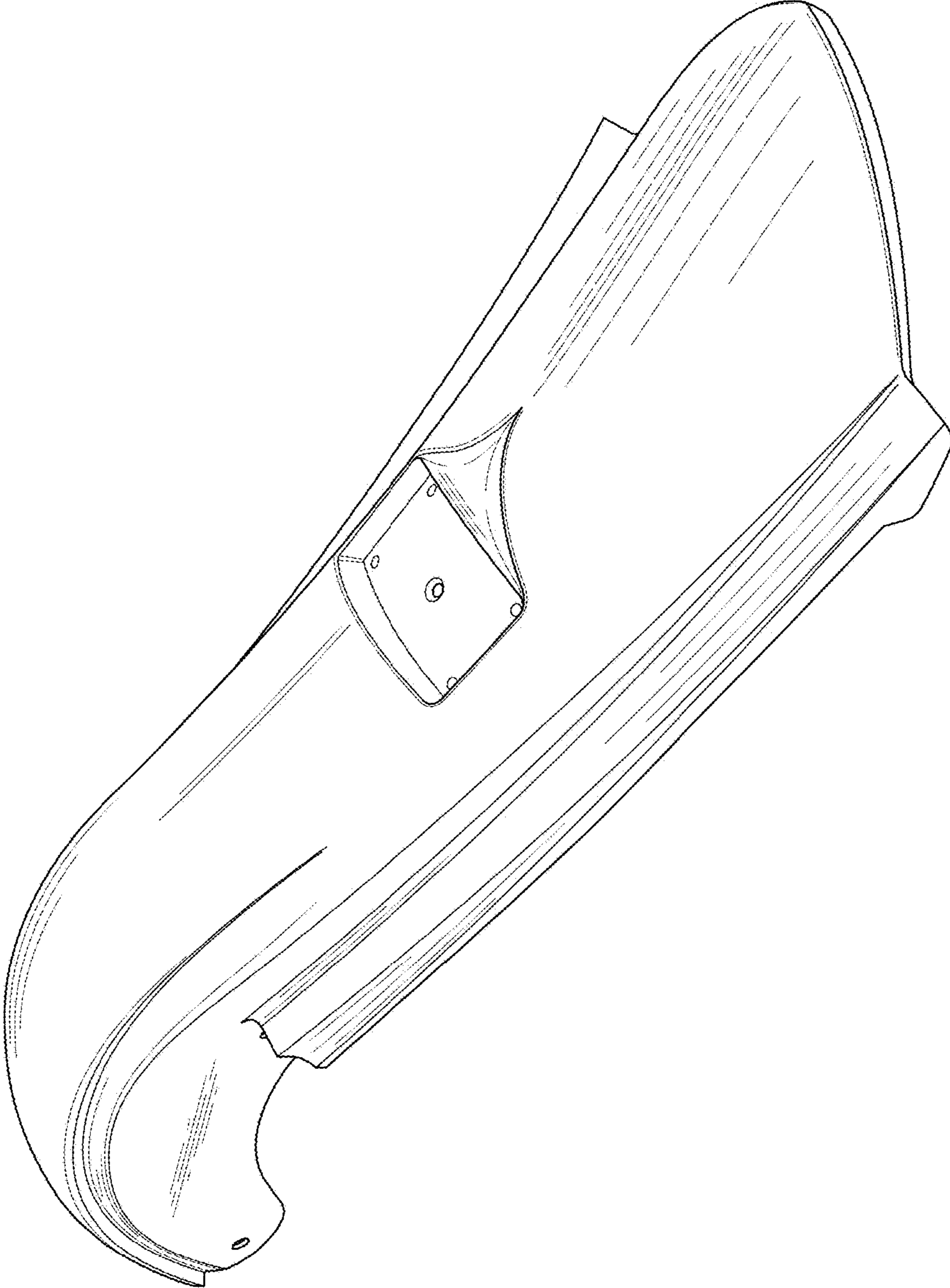


FIG. 7