



US00D847039S

(12) **United States Design Patent** (10) **Patent No.:** **US D847,039 S**
Lu (45) **Date of Patent:** **** Apr. 30, 2019**

(54) **GRILLE TEETH**
(71) Applicant: **Turn 5, Inc.**, Malvern, PA (US)
(72) Inventor: **Shunguo Lu**, Danyang (CN)
(73) Assignee: **Turn 5, Inc.**, Paoli, PA (US)
(**) Term: **15 Years**
(21) Appl. No.: **29/607,828**
(22) Filed: **Jun. 16, 2017**
(51) **LOC (11) Cl.** **12-16**
(52) **U.S. Cl.**
USPC **D12/163**
(58) **Field of Classification Search**
USPC D12/163, 164, 165, 166, 167, 168, 169,
D12/170, 171, 172, 173, 181
CPC B60K 11/08; B62L 39/16; B60R 19/50;
B62D 25/08
See application file for complete search history.

(56) **References Cited**

U.S. PATENT DOCUMENTS

6,328,358 B1 * 12/2001 Berweiler B60R 19/52
180/68.6
D619,508 S * 7/2010 Choi D12/164
D633,012 S * 2/2011 Bauer D12/163
D635,897 S * 4/2011 Frei D12/163
D640,610 S * 6/2011 Schell D12/163
D645,795 S * 9/2011 Ishibashi D12/163
D663,656 S * 7/2012 Frenzel D12/163
D687,750 S * 8/2013 Frei D12/163
D687,751 S * 8/2013 Futschik D12/163
D692,358 S * 10/2013 Nakamuta D12/190
D699,163 S * 2/2014 Janssen D12/164
D701,798 S * 4/2014 Futschik D12/164
D711,790 S * 8/2014 Futschik D12/164
D721,019 S * 1/2015 Pevovar D12/163
D759,551 S * 6/2016 Nakahara D12/163

D788,662 S * 6/2017 Minami D12/190
D788,663 S * 6/2017 Minami D12/190
D788,664 S * 6/2017 Minami D12/190
D790,412 S * 6/2017 Dunford D12/163
2004/0190985 A1 * 9/2004 Aigner B60R 19/52
403/329
2005/0006928 A1 * 1/2005 Diehl B60R 19/52
296/193.1
2006/0119115 A1 * 6/2006 Filip B60R 19/52
293/115
2006/0237995 A1 * 10/2006 Huttenlocher B60R 13/005
296/193.1
2008/0079271 A1 * 4/2008 Maruko B60R 19/52
293/102
2009/0256397 A1 * 10/2009 Bauernfeind B60K 13/02
296/193.1

(Continued)

Primary Examiner — Susan Bennett Hattan

Assistant Examiner — Suzanne E Tisdell

(74) *Attorney, Agent, or Firm* — Schott, P.C.

(57) **CLAIM**

The ornamental design for grille teeth, as shown and described.

DESCRIPTION

FIG. 1 is a perspective view of the grille teeth of the present invention, understanding that mirror views of these views are possible;

FIG. 2 is a front elevation thereof;

FIG. 3 is a rear elevation view thereof;

FIG. 4 is a top view thereof;

FIG. 5 is a bottom view thereof;

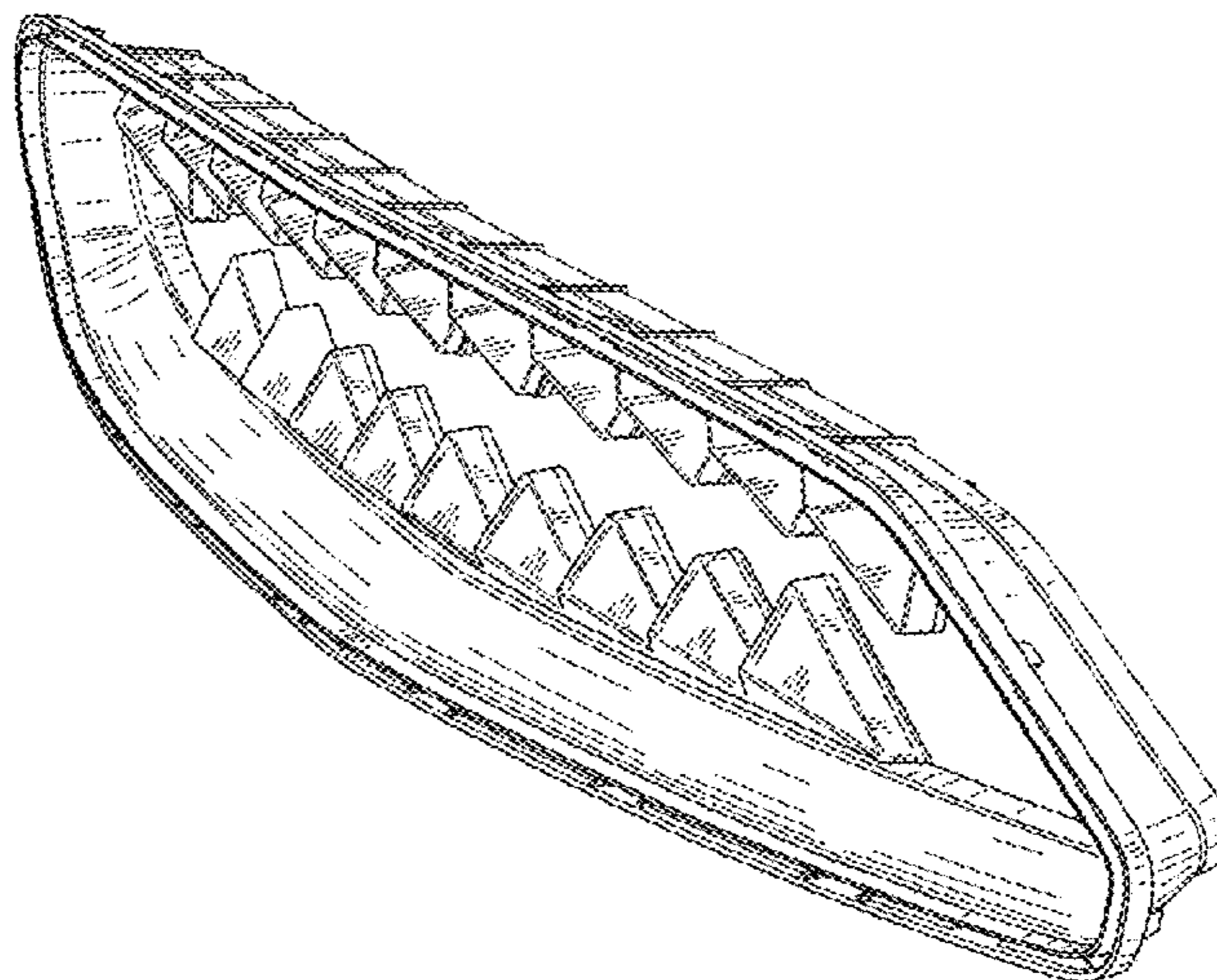
FIG. 6 is a right view thereof;

FIG. 7 is a left view thereof; and,

FIG. 8 is a perspective view thereof, showing the invention in a potential environment.

The broken lines illustrate the design's environment and form no part of the claimed design.

1 Claim, 6 Drawing Sheets



(56)

References Cited

U.S. PATENT DOCUMENTS

2015/0183313 A1* 7/2015 Bruckner B60K 11/085
180/68.1
2016/0272060 A1* 9/2016 Edwards B60K 11/085
2017/0050509 A1* 2/2017 Aizawa B60K 11/085
2017/0129430 A1* 5/2017 Aizawa B60R 19/18
2017/0137954 A1* 5/2017 Hashimoto B60K 11/08

* cited by examiner

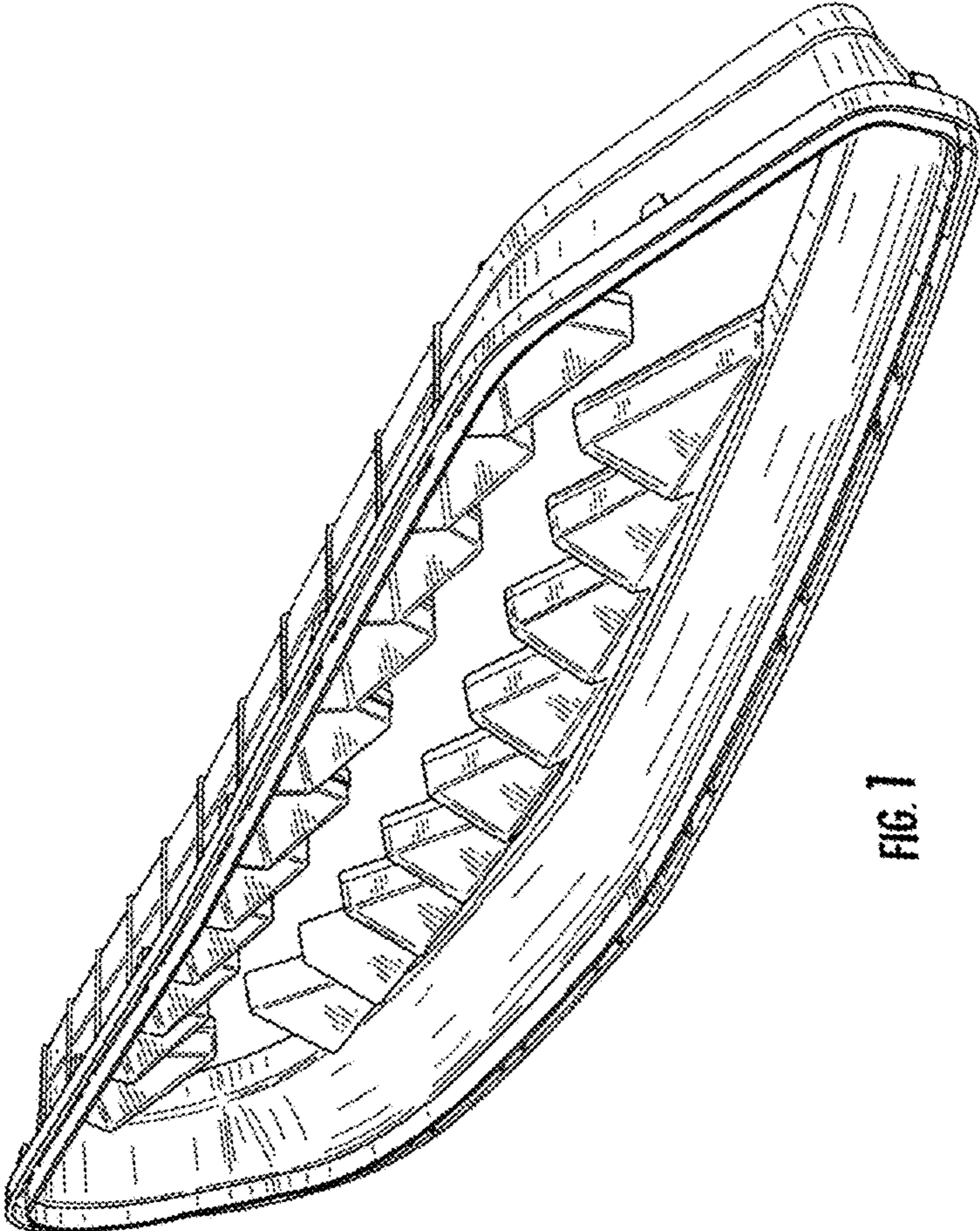


FIG. 1

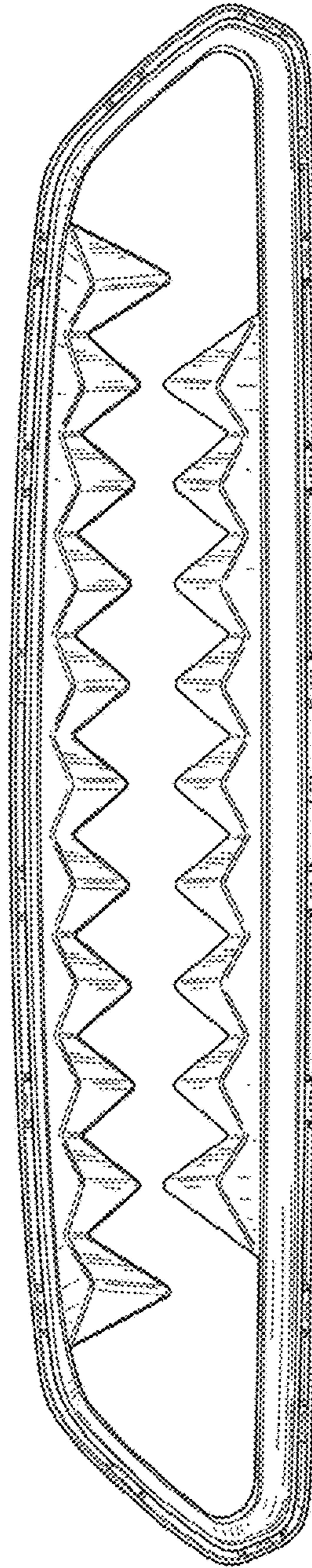


FIG. 2

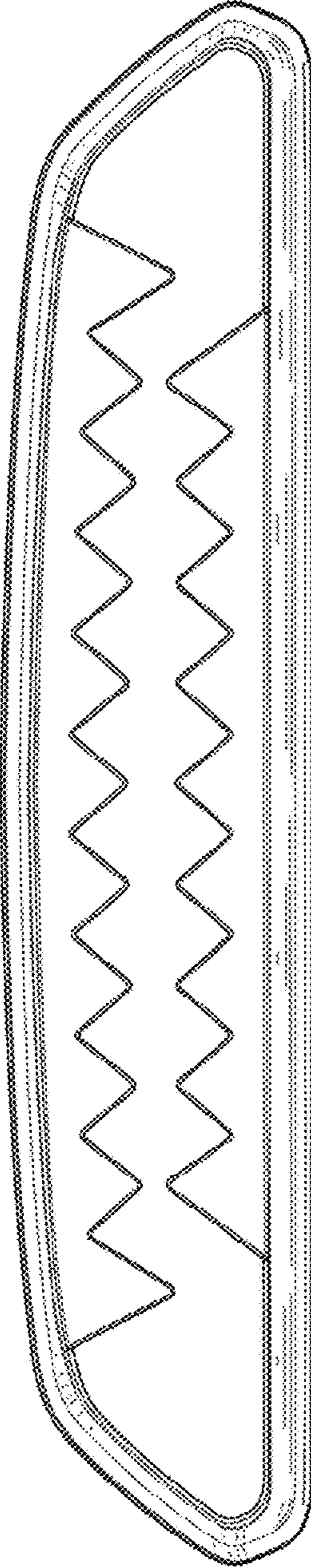


FIG 3

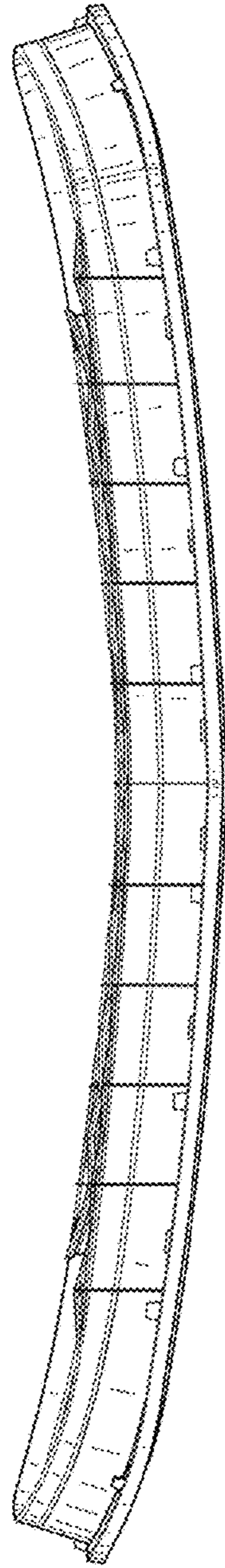


FIG. 4

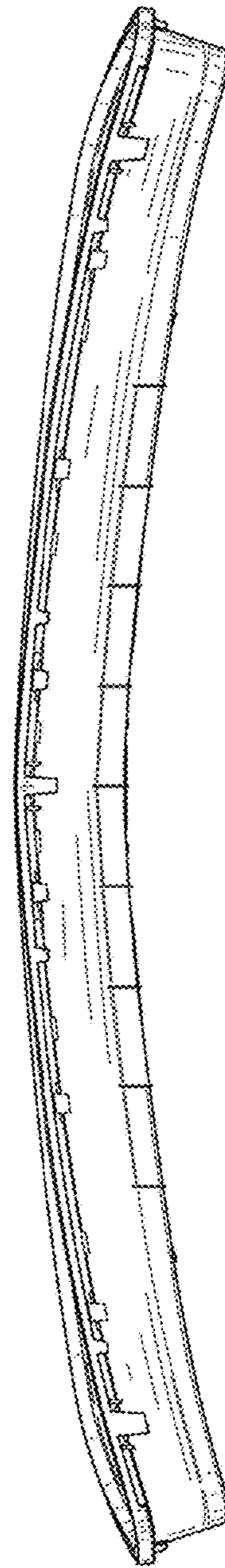


FIG. 5

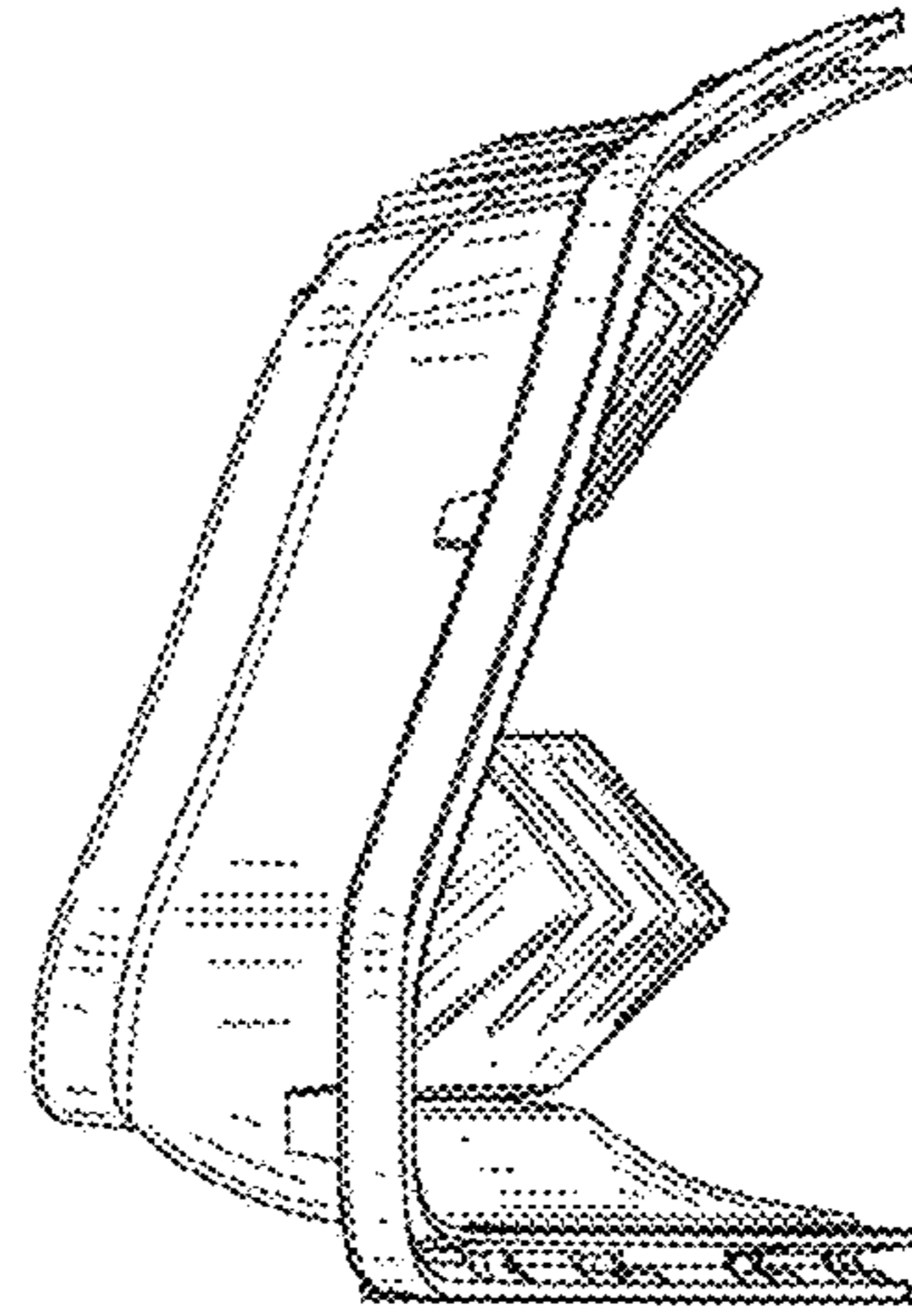


FIG. 6

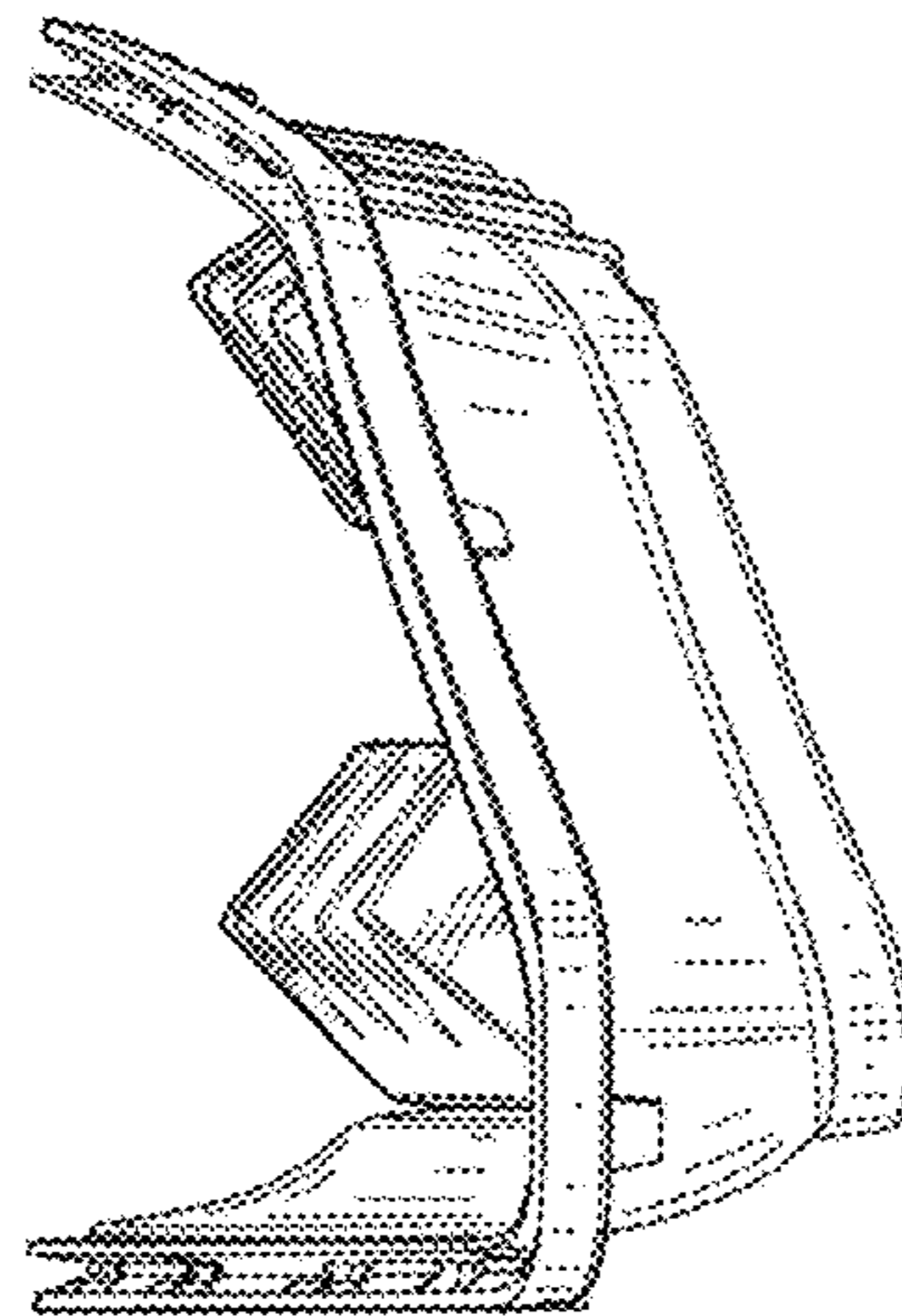


FIG. 7

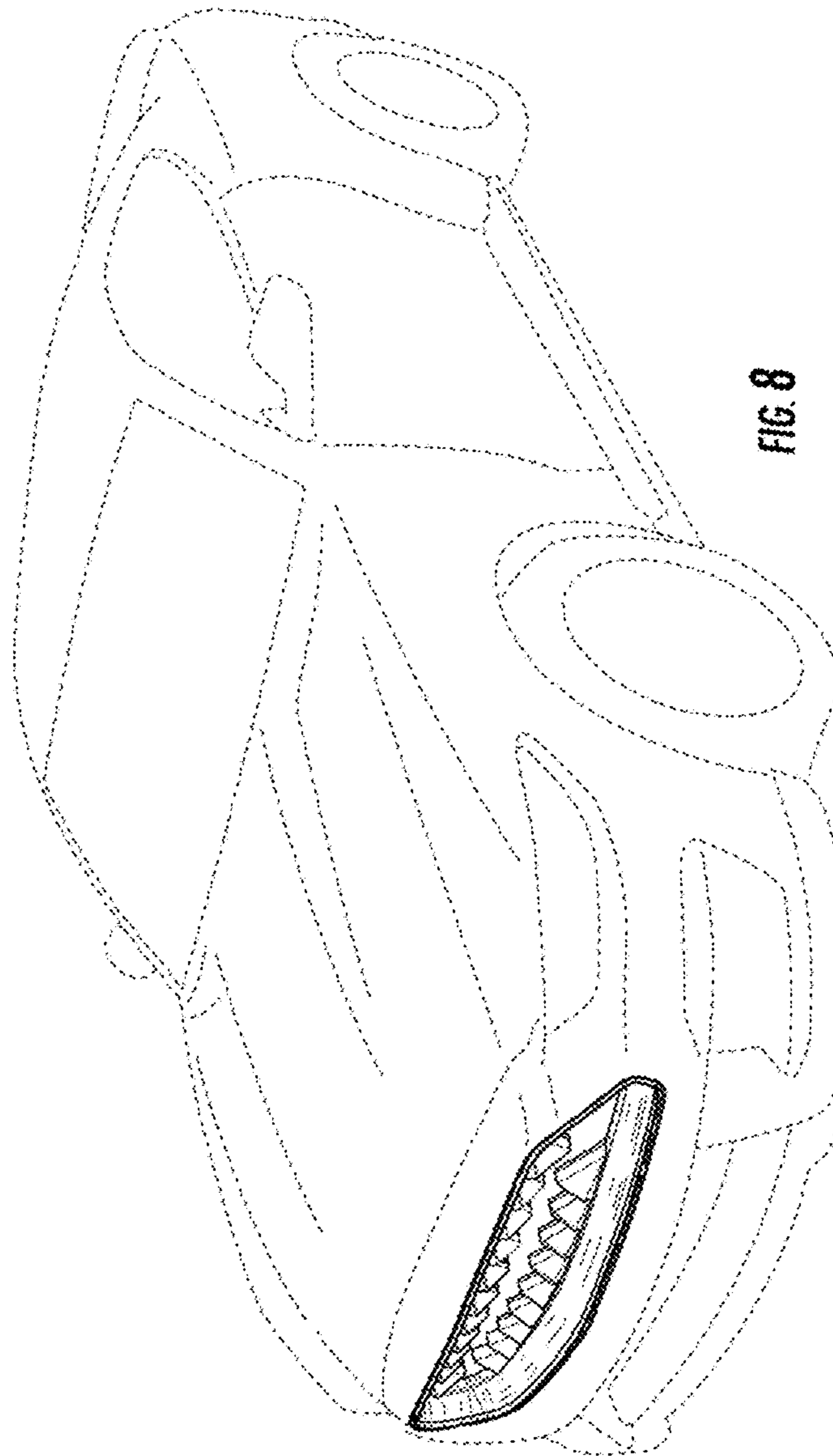


FIG. 8