



US00D847037S

(12) **United States Design Patent**  
**Hancock**

(10) **Patent No.:** **US D847,037 S**

(45) **Date of Patent:** **\*\* Apr. 30, 2019**

- (54) **HITCH PIN DEVICE**
- (71) Applicant: **Truck Shields, LLC**, Salt Lake City, UT (US)
- (72) Inventor: **Dennis H. Hancock**, Evanston, WY (US)
- (73) Assignee: **Truck Shields, LLC**, Salt Lake City, UT (US)

4,298,212 A \* 11/1981 Jamison ..... B60D 1/025  
280/506

4,412,464 A 11/1983 Cook  
D276,787 S 12/1984 Burns  
(Continued)

**FOREIGN PATENT DOCUMENTS**

CN 302787205 4/2014  
JP 4546949 B2 9/2010  
JP 5220149 B2 6/2013

- (\*\*) Term: **15 Years**
- (21) Appl. No.: **29/619,338**
- (22) Filed: **Sep. 28, 2017**
- (51) **LOC (11) Cl.** ..... **12-16**
- (52) **U.S. Cl.**  
USPC ..... **D12/162**
- (58) **Field of Classification Search**  
USPC ..... D12/106, 161, 162, 199, 400; D3/215;  
D8/330, 331, 344, 333, 346, 356;  
D21/315, 318, 356, 780, 727; D25/315,  
D25/318, 356, 780, 727; D29/102, 105,  
D29/111, 115, 116.3  
CPC ... B60D 1/06; B60D 1/07; B60D 1/52; B60D  
1/58; B60D 1/60  
See application file for complete search history.

**OTHER PUBLICATIONS**

Cotter hair pin Details—175-2106—USA-Clean, website 2018, site visited Aug. 17, 2018, [https://usafix.usaclean.com/...m=adwords&gclid=CjOKCGjw5NnbBRDaARIsAJP-YR\\_UW77sZTGUF2JSm9PxxkOaDakw9H-ZPFomLCCZULNJK-G3rR91UaAsZxEALw\\_wcB](https://usafix.usaclean.com/...m=adwords&gclid=CjOKCGjw5NnbBRDaARIsAJP-YR_UW77sZTGUF2JSm9PxxkOaDakw9H-ZPFomLCCZULNJK-G3rR91UaAsZxEALw_wcB) (Year: 2018); 7 pages.

(Continued)

*Primary Examiner* — Darlington Ly  
(74) *Attorney, Agent, or Firm* — TraskBritt

(57) **CLAIM**

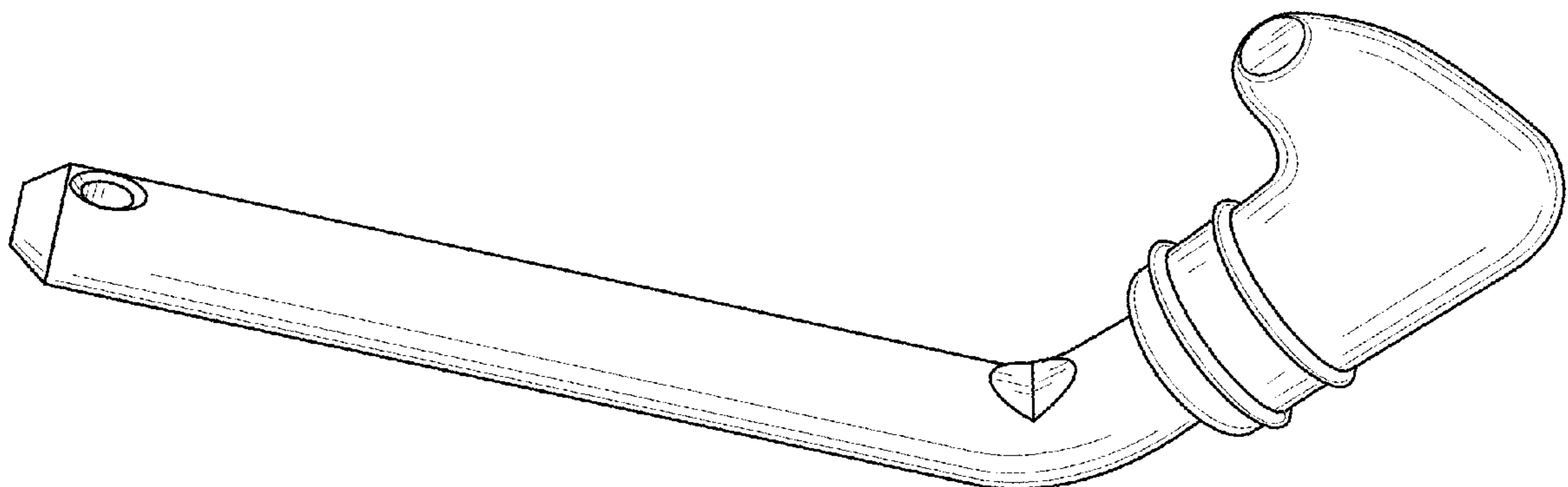
The ornamental design for a hitch pin device, substantially as shown and described.

**DESCRIPTION**

FIG. 1 is a front and top perspective view of a hitch pin device showing my new design;  
FIG. 2 is a front elevation view thereof;  
FIG. 3 is a right side elevation view thereof;  
FIG. 4 is a rear elevation view thereof;  
FIG. 5 is a left side elevation view thereof;  
FIG. 6 is a top plan view thereof;  
FIG. 7 is a bottom plan view thereof; and,  
FIG. 8 is a rear and bottom perspective view thereof.  
The broken line showing of the cotter pin is provided for the purposes of illustrating environmental structure and forms no part of the claimed design.

**1 Claim, 4 Drawing Sheets**

- (56) **References Cited**  
U.S. PATENT DOCUMENTS  
872,180 A 11/1907 Hite  
1,280,756 A 10/1918 Kelecom  
1,429,353 A 9/1922 Karsky  
1,849,605 A 3/1932 Whitlock  
2,166,614 A 7/1939 Strid  
D118,329 S 12/1939 Crowley  
2,400,960 A 5/1946 Strid  
2,588,731 A 3/1952 Kabanuck  
3,151,512 A 10/1964 Charczenko  
4,037,513 A 7/1977 Hobson  
4,087,112 A \* 5/1978 Lee, Jr. .... B60D 1/02  
213/188



(56)

References Cited

U.S. PATENT DOCUMENTS

D278,203 S 4/1985 Braukmann  
 D278,436 S \* 4/1985 Storlie ..... D15/28  
 4,526,396 A \* 7/1985 Mayer ..... B60D 1/025  
 280/515  
 D281,389 S 11/1985 Summers  
 4,555,125 A \* 11/1985 Goodlove ..... B60D 1/02  
 280/515  
 4,624,619 A 11/1986 Uher  
 4,773,805 A \* 9/1988 Krahling ..... B60D 1/02  
 24/453  
 4,840,528 A \* 6/1989 Doom ..... F16B 21/12  
 411/340  
 4,890,854 A \* 1/1990 Hoover ..... B60D 1/02  
 24/303  
 D306,144 S \* 2/1990 Haggstrom ..... D10/83  
 D308,620 S 6/1990 Baca  
 D318,406 S 7/1991 Gabriele  
 5,267,494 A 12/1993 Waluda  
 D356,763 S \* 3/1995 Herrick ..... D12/162  
 5,509,380 A 4/1996 Tipp  
 5,524,511 A 6/1996 Taka  
 5,557,832 A 9/1996 Vanden Brook  
 5,662,446 A 9/1997 Haan  
 D389,624 S 1/1998 Drimmie et al.  
 D396,885 S 8/1998 Shyu  
 D401,969 S 12/1998 Ho  
 D405,019 S \* 2/1999 Neuman ..... D10/83  
 6,145,866 A \* 11/2000 Peter ..... B60D 1/02  
 280/515  
 D480,283 S 10/2003 Brown

D497,576 S \* 10/2004 Wang ..... D12/162  
 D535,181 S 1/2007 Roychowdhury  
 7,306,275 B2 \* 12/2007 Kalous ..... B60D 1/06  
 296/1.07  
 D560,565 S 1/2008 Kalous  
 D570,257 S \* 6/2008 VanderBurgh ..... D12/162  
 D620,785 S 8/2010 St. Germaine  
 8,267,420 B2 9/2012 Merten et al.  
 8,388,366 B2 3/2013 Yang  
 D693,660 S 11/2013 Hackett et al.  
 D724,914 S 3/2015 Tipp  
 9,090,136 B2 \* 7/2015 Breeden ..... B60D 1/06  
 D749,994 S \* 2/2016 Verboeket ..... D12/162  
 9,669,276 B1 6/2017 Maloy  
 D797,009 S \* 9/2017 Verboeket ..... D12/162  
 2006/0078374 A1 4/2006 Wrase et al.  
 2006/0147297 A1 7/2006 Wrase et al.  
 2007/0007782 A1 1/2007 Kalous  
 2007/0062006 A1 3/2007 Wright, Jr.  
 2007/0251059 A1 11/2007 You  
 2009/0044847 A1 2/2009 Barangan  
 2009/0278334 A1 11/2009 Carr et al.  
 2010/0200333 A1 8/2010 Maurice et al.  
 2018/0147715 A1 5/2018 Promo et al.

OTHER PUBLICATIONS

Amazon.com: Pin Wiz Trailer Hitch Clip, oldest review 2018,  
[https://www.amazon.com/Pin-Wiz-Trailer-Hitch-Black/dp/B079QQ9PK5/ref=cm\\_cr\\_arp\\_d\\_product\\_top?ie=UTF8](https://www.amazon.com/Pin-Wiz-Trailer-Hitch-Black/dp/B079QQ9PK5/ref=cm_cr_arp_d_product_top?ie=UTF8), site visited Aug. 17, 2018 (Year: 2018); 13 pages.  
 Durometer Shore Hardness Scale for Rubbers.

\* cited by examiner

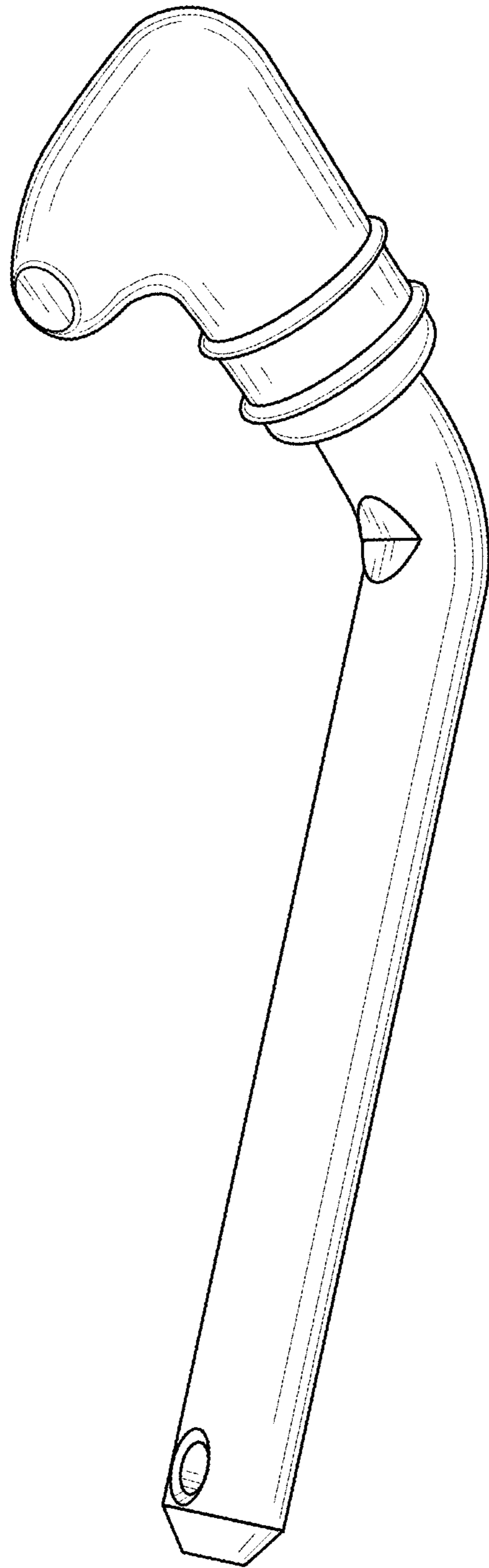
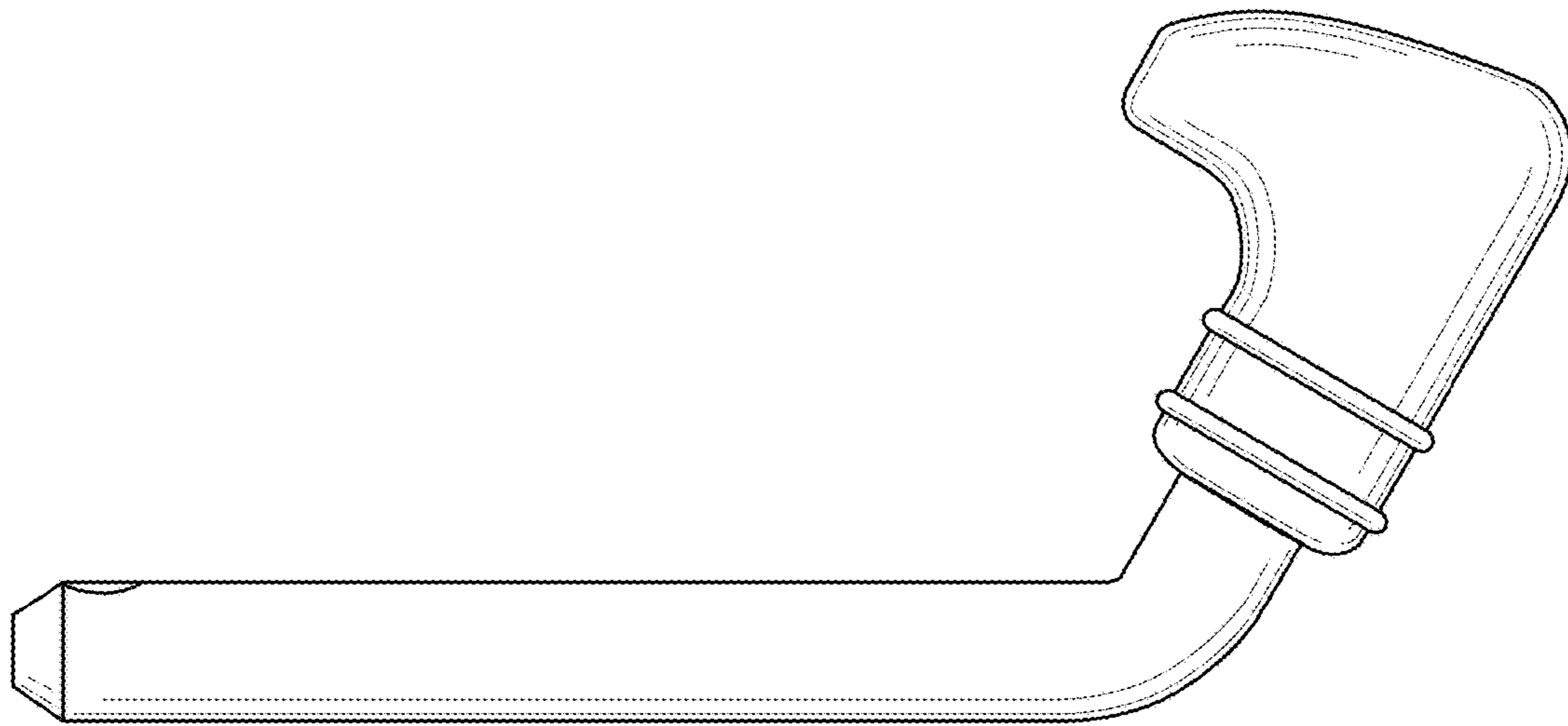
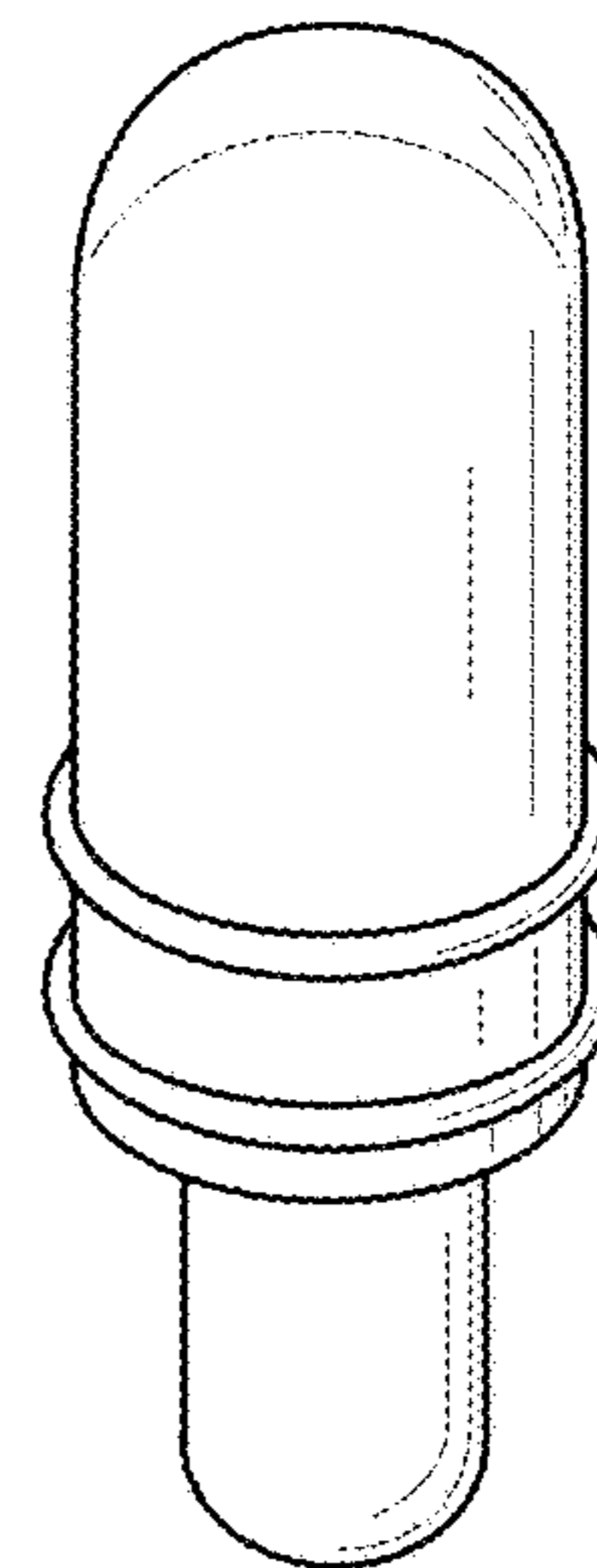


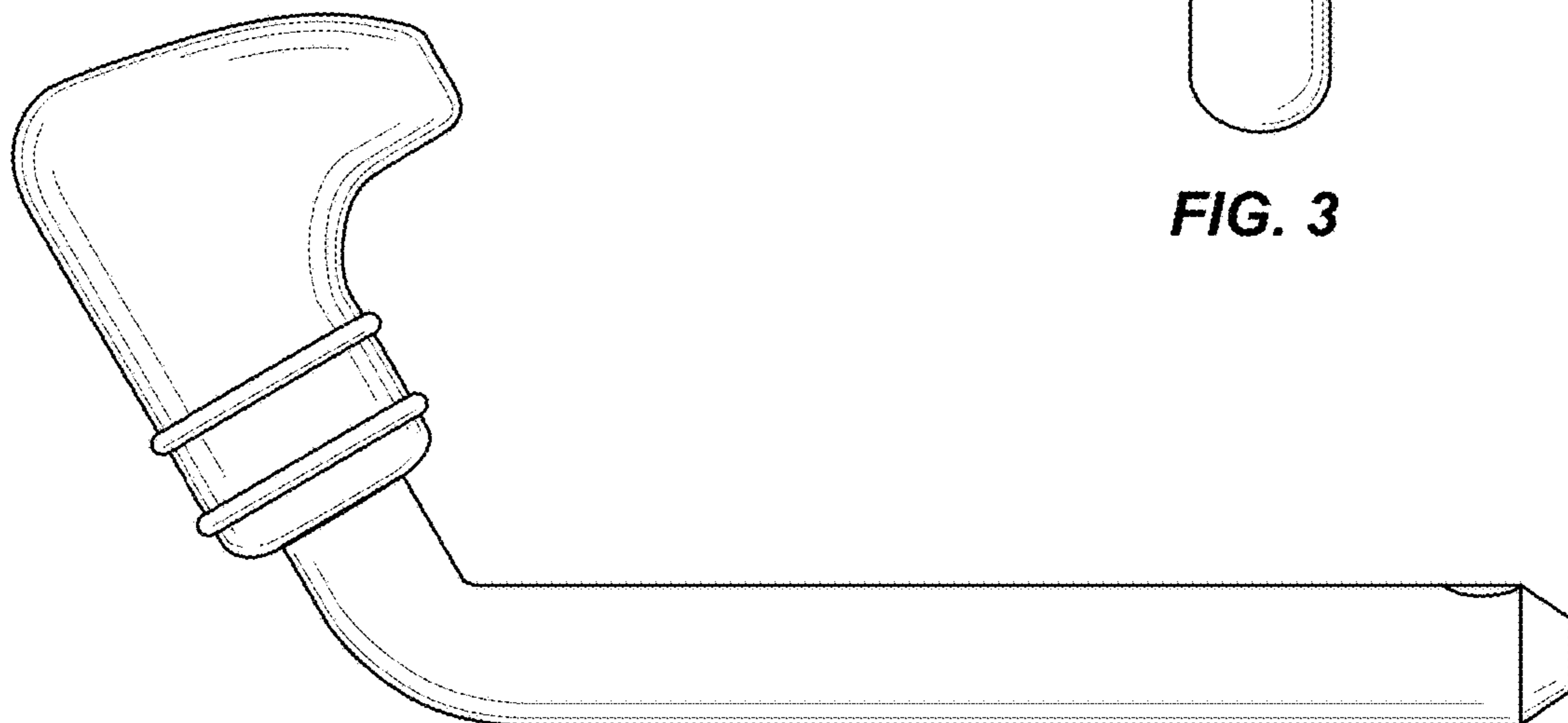
FIG. 1



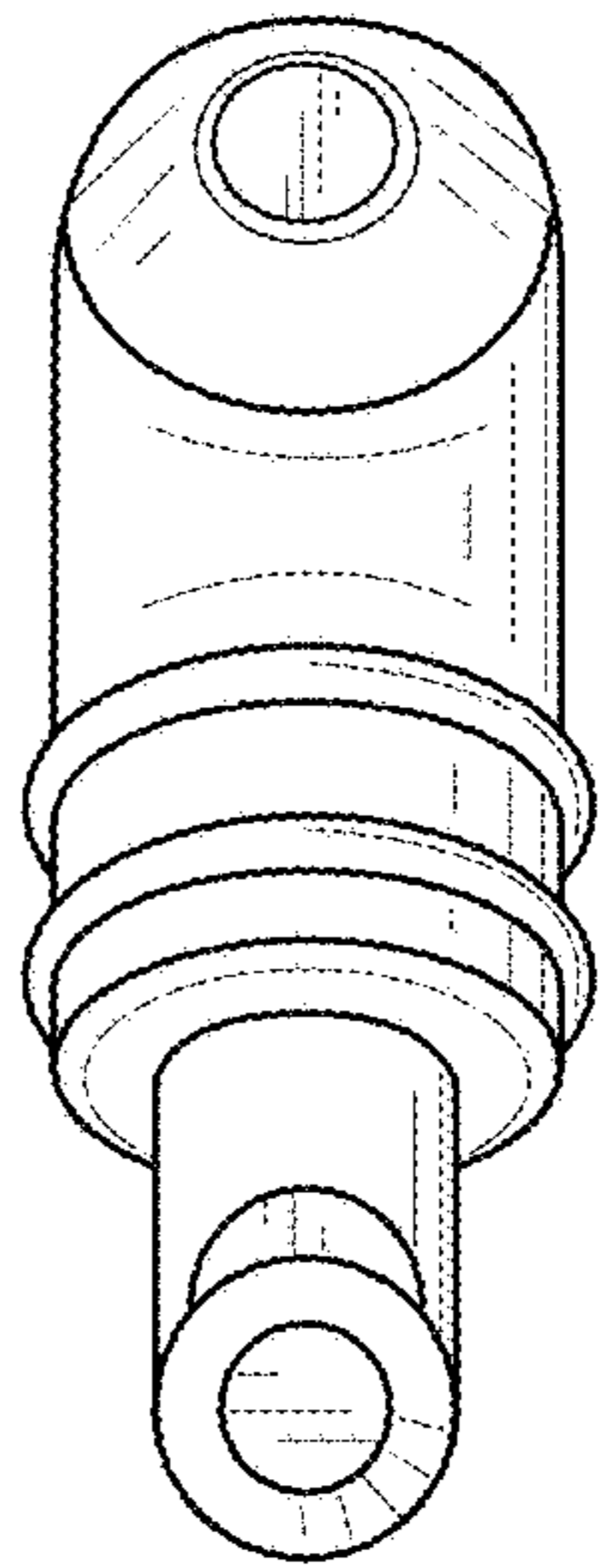
**FIG. 2**



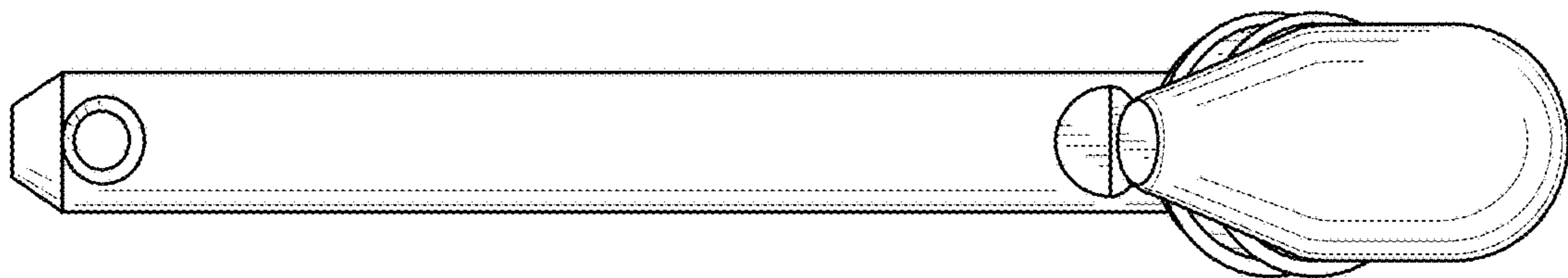
**FIG. 3**



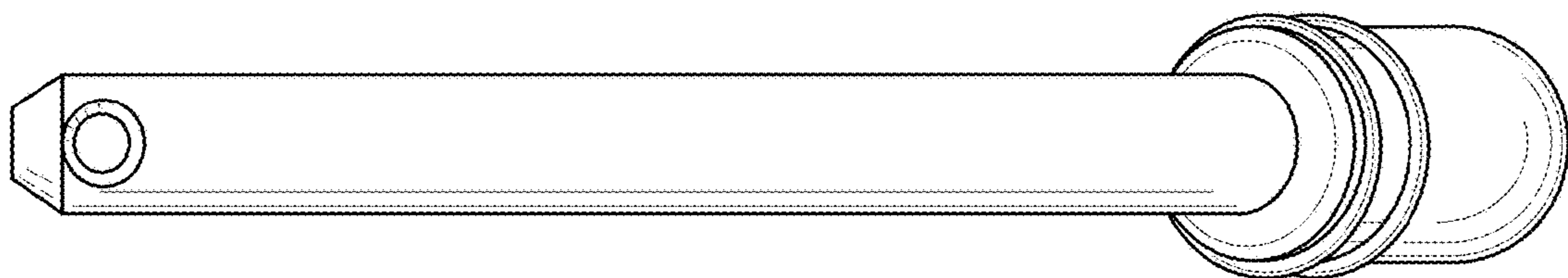
**FIG. 4**



**FIG. 5**



**FIG. 6**



**FIG. 7**

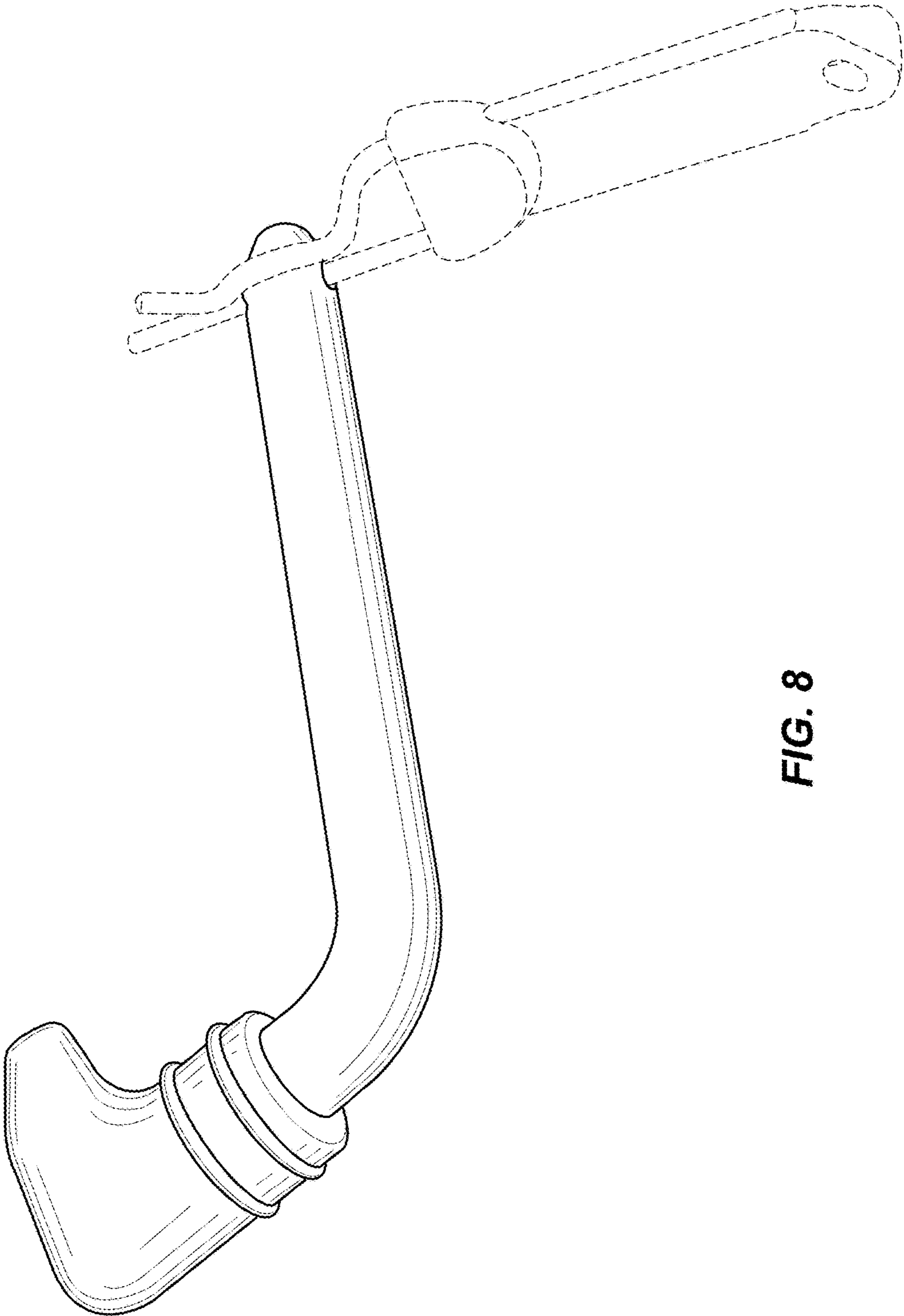


FIG. 8