



US00D847035S

(12) **United States Design Patent** (10) **Patent No.:** **US D847,035 S**
Lu (45) **Date of Patent:** **** Apr. 30, 2019**

(54) **UPPER FRAME FOR BABY WALKER**

(71) Applicant: **Li-Wei Lu**, Taichung (TW)

(72) Inventor: **Li-Wei Lu**, Taichung (TW)

(**) Term: **15 Years**

(21) Appl. No.: **29/635,177**

(22) Filed: **Jan. 29, 2018**

(51) **LOC (11) Cl.** **12-02**

(52) **U.S. Cl.**
USPC **D12/130**

(58) **Field of Classification Search**
USPC D12/128–133
See application file for complete search history.

(56) **References Cited**

U.S. PATENT DOCUMENTS

D445,143 S *	7/2001	Bellows	D12/130
D451,052 S *	11/2001	Lu	D12/130
D475,325 S *	6/2003	Wu	D12/133
6,863,287 B2 *	3/2005	Myers	A47D 13/043 135/67
D587,764 S *	3/2009	Cheng	D12/130
D612,302 S *	3/2010	Cheng	D12/133
D627,009 S *	11/2010	Lu	D12/130
D630,259 S *	1/2011	Lu	D12/130
D679,337 S *	4/2013	Lai	D12/133

D700,248 S *	2/2014	Proulx	D21/425
D750,534 S *	3/2016	Lu	D12/130
D765,557 S *	9/2016	Cheng	D12/130
D771,524 S *	11/2016	Lu	D12/130
9,610,211 B2 *	4/2017	Lai	A61H 3/008
10,016,067 B2 *	7/2018	Burns	A47D 13/043

* cited by examiner

Primary Examiner — Charles D Hanson
(74) *Attorney, Agent, or Firm* — Egbert Law Offices, PLLC

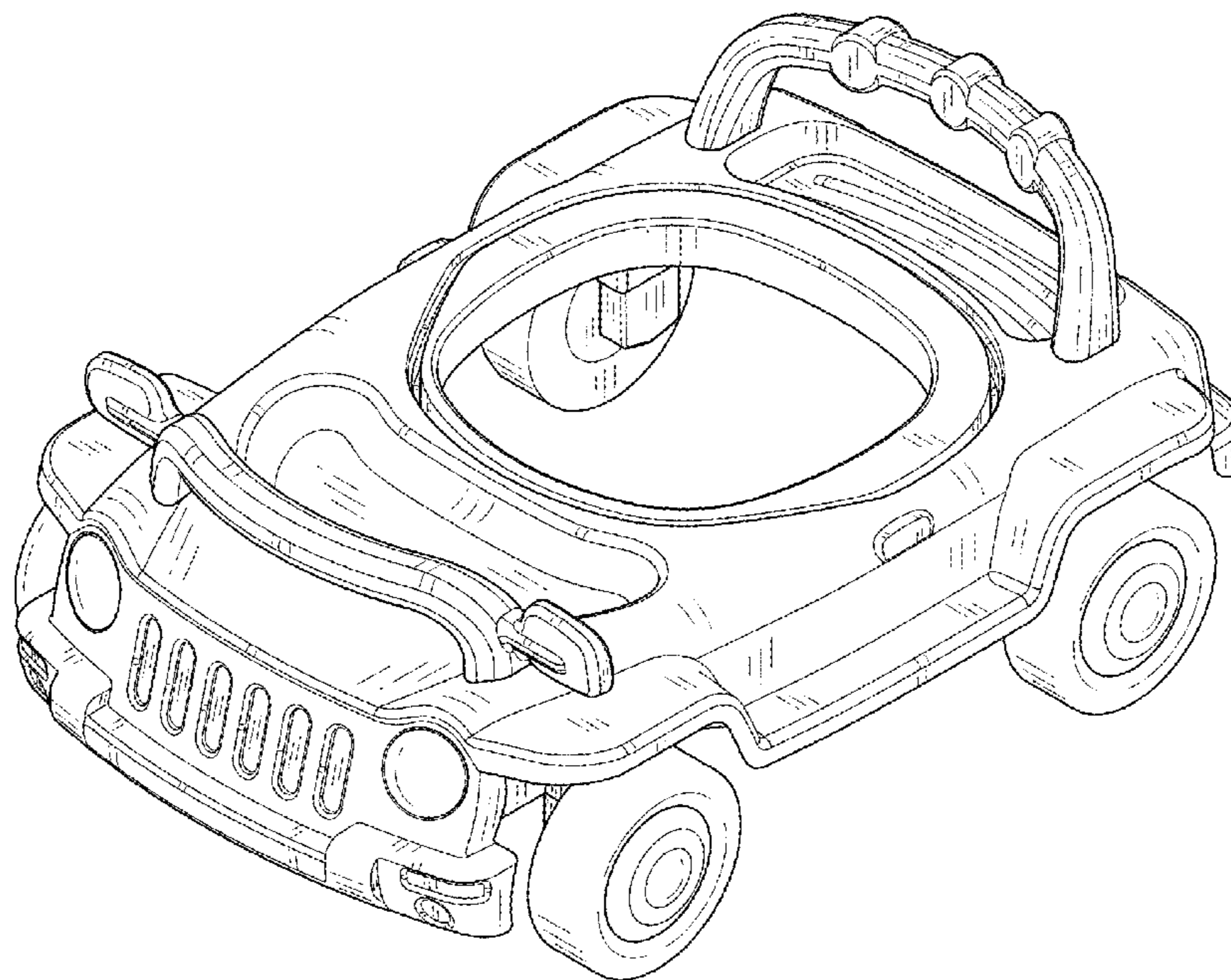
(57) **CLAIM**

The ornamental design for a upper frame for baby walker, as shown and described.

DESCRIPTION

FIG. 1 is a perspective view of a upper frame for baby walker showing my new design;
FIG. 2 is a front elevational view thereof;
FIG. 3 is a rear elevational view thereof;
FIG. 4 is a left side view thereof;
FIG. 5 is a right side view thereof; and,
FIG. 6 is a top plan view thereof.
The bottom of the upper frame for baby walker forms no part of the claimed design.

1 Claim, 6 Drawing Sheets



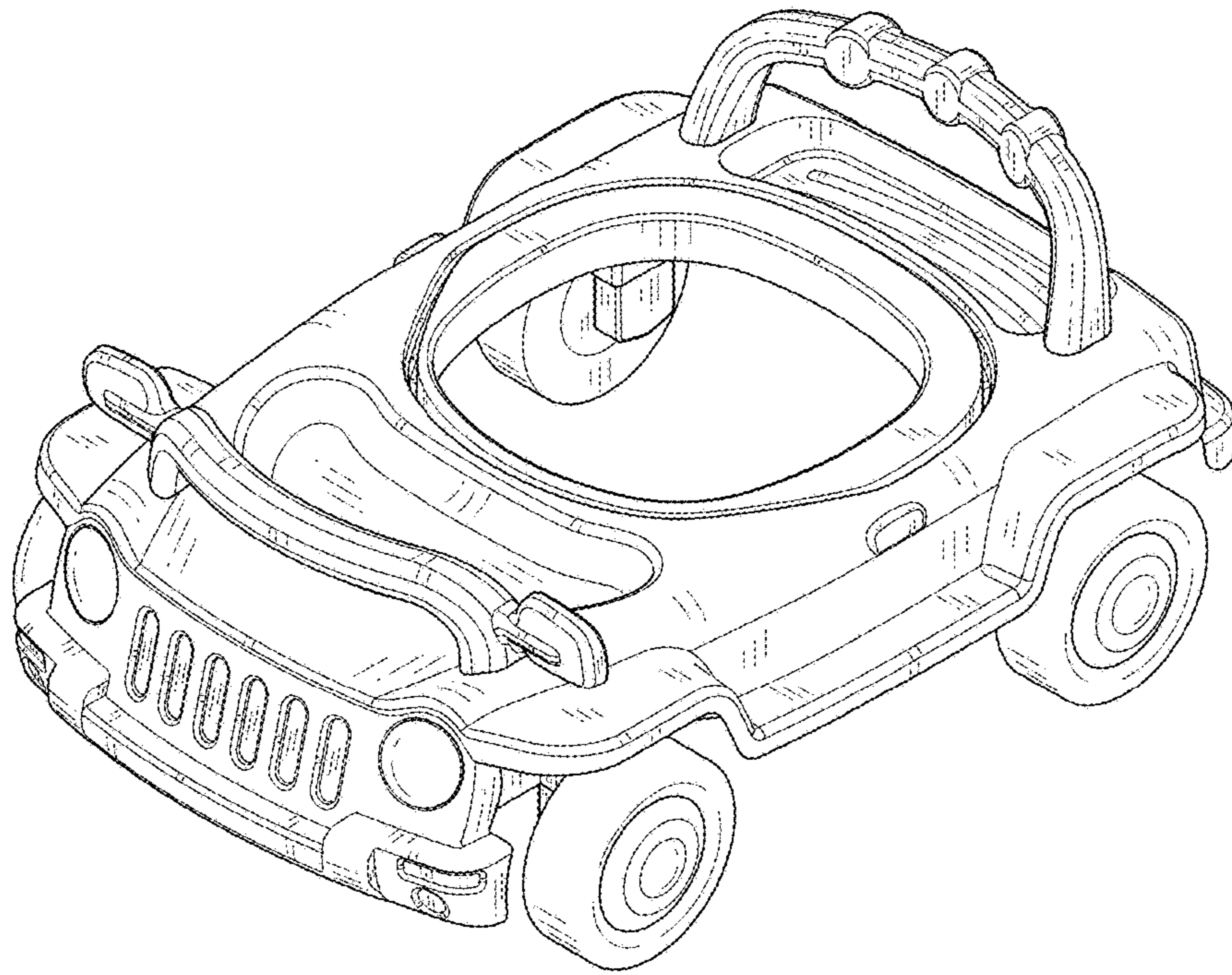


FIG. 1

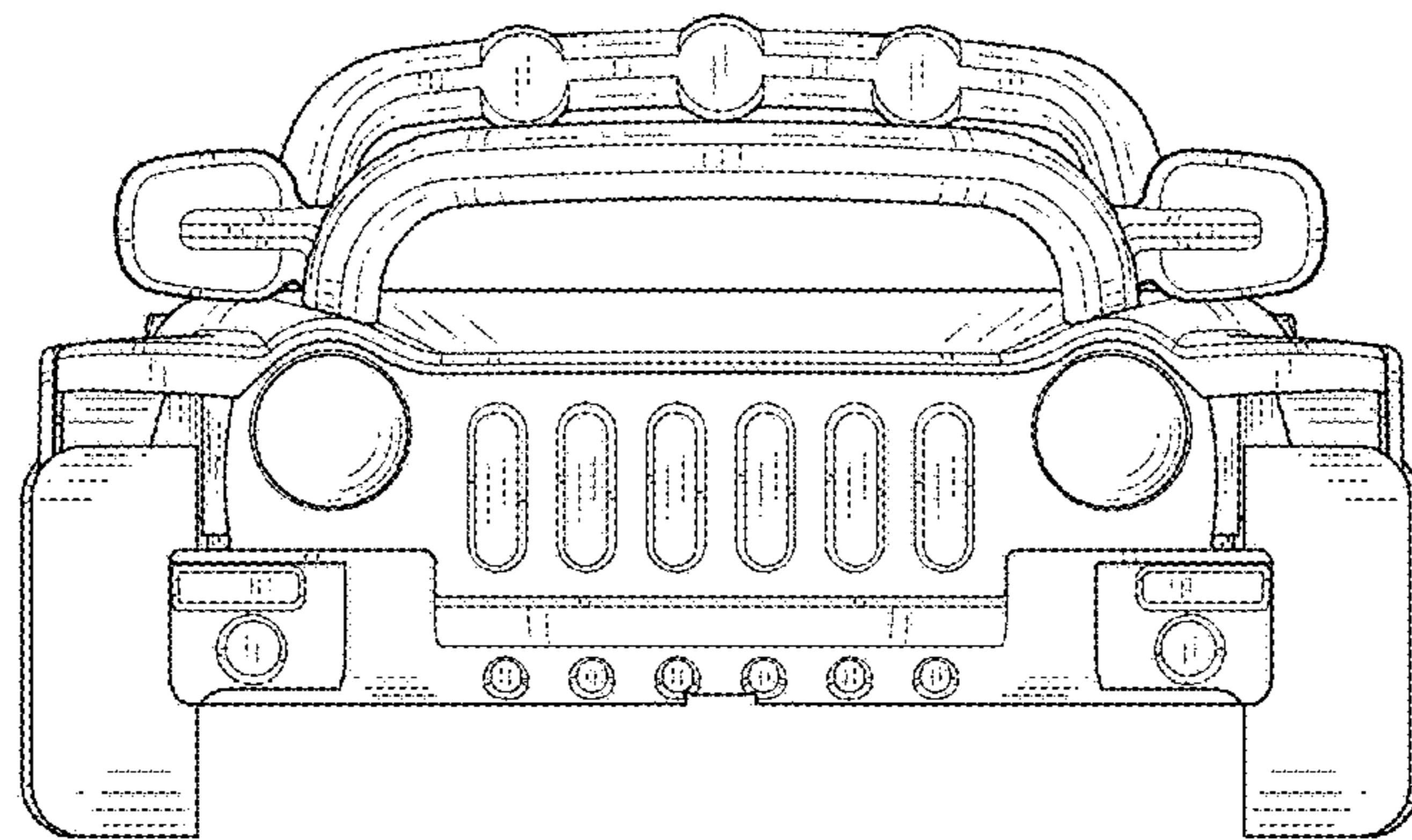


FIG. 2

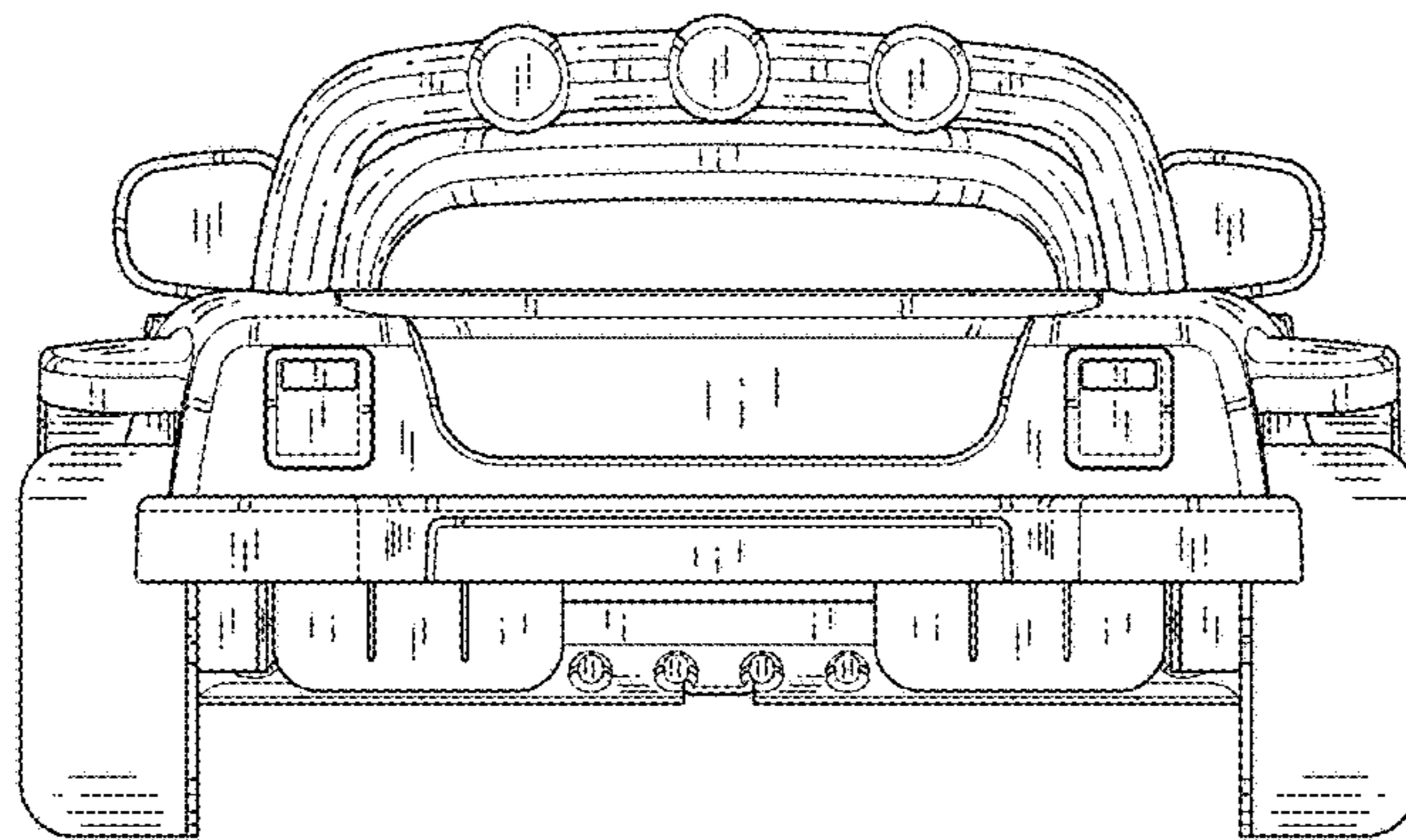


FIG. 3

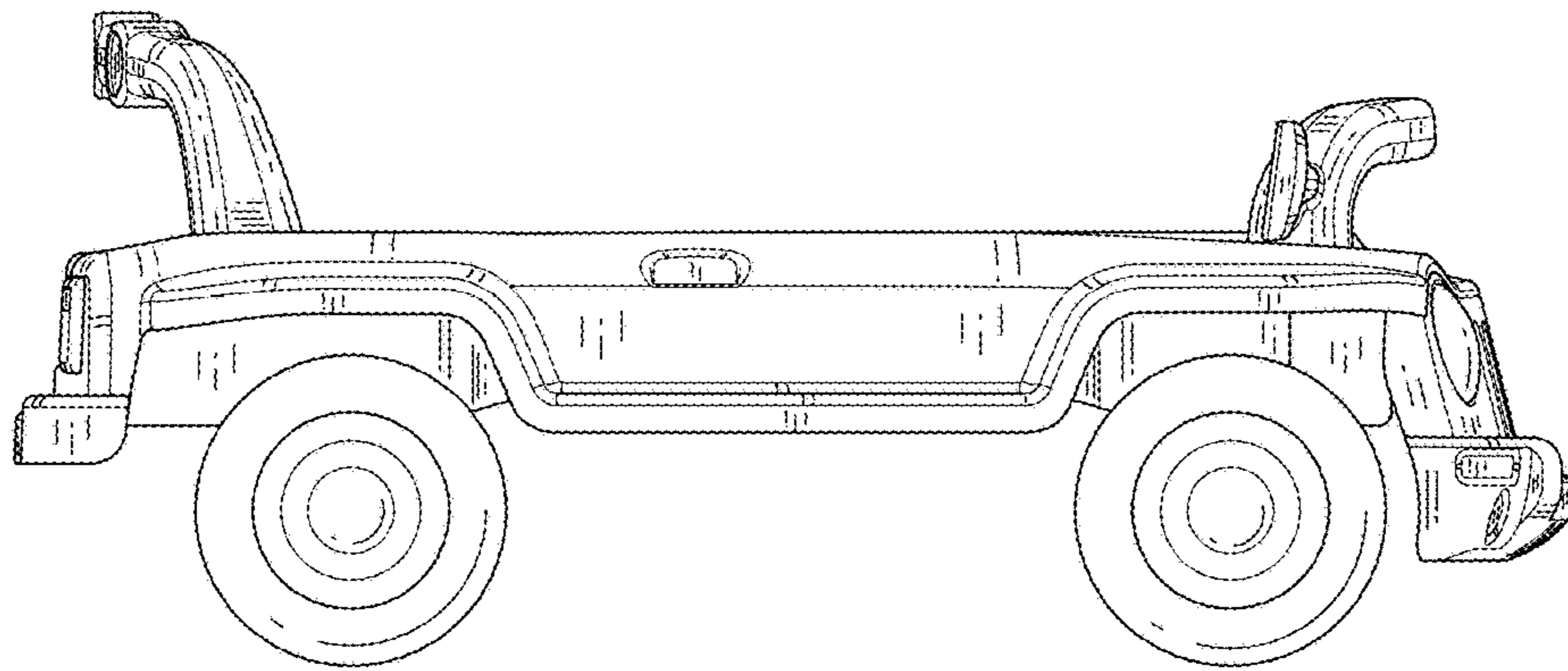


FIG. 4

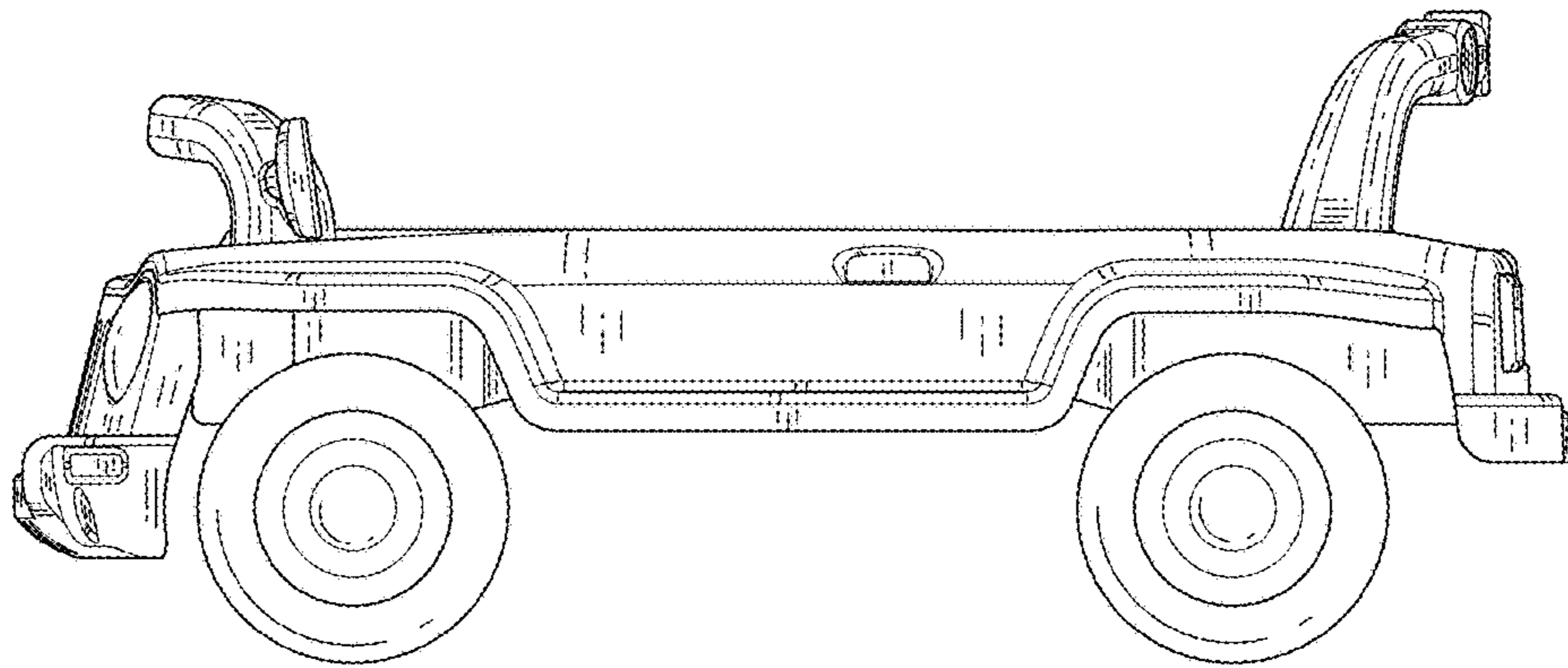


FIG. 5

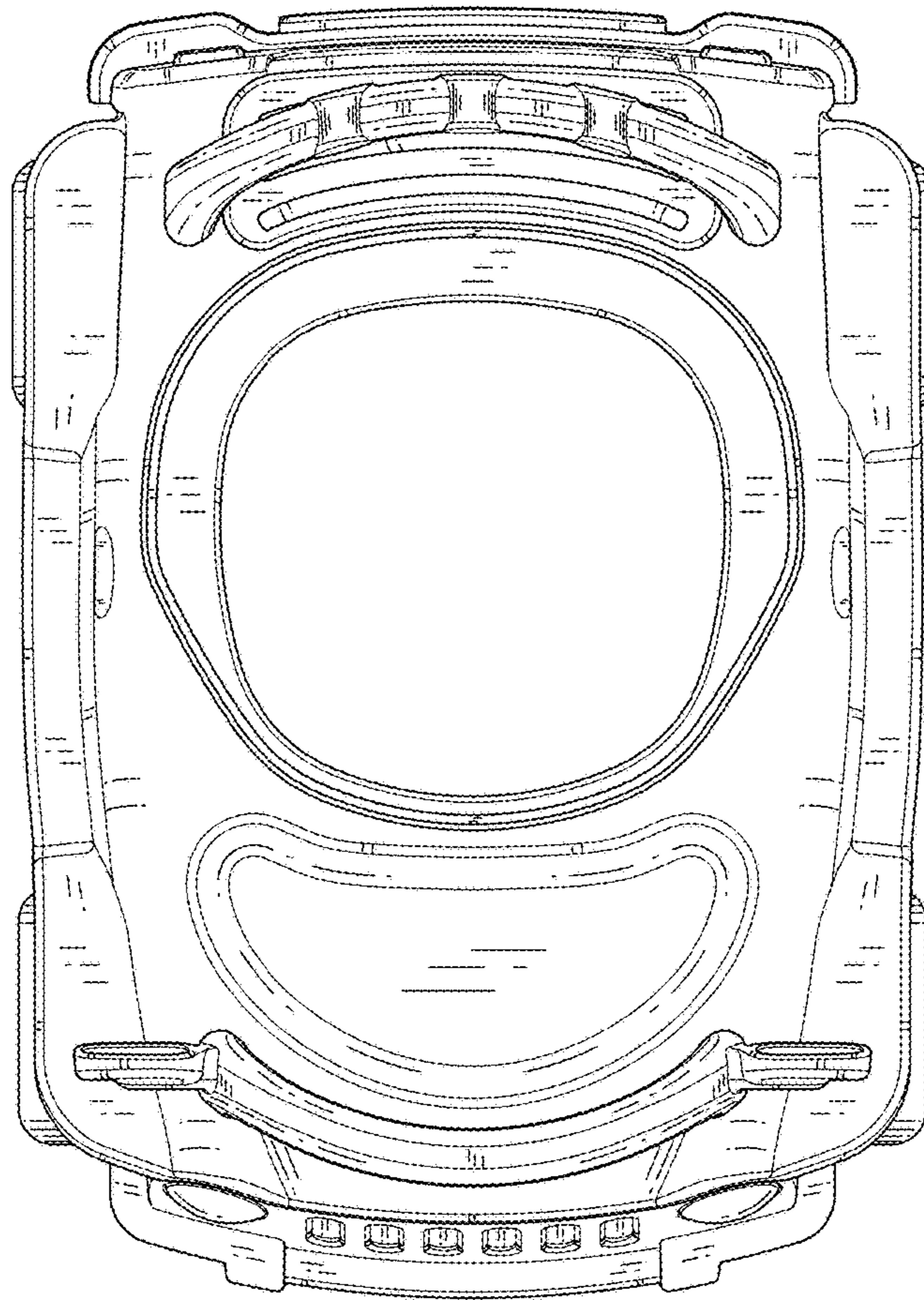


FIG. 6