



US00D847033S

(12) **United States Design Patent**  
**Yan**

(10) **Patent No.:** **US D847,033 S**

(45) **Date of Patent:** **\*\* Apr. 30, 2019**

(54) **BICYCLE**

(71) Applicant: **Zhejiang Right Digital Technology Co., Ltd., Zhejiang (CN)**

(72) Inventor: **Ming Yan, Zhejiang (CN)**

(73) Assignee: **ZHEJIANG RIGHT DIGITAL TECHNOLOGY CO., LTD., Zhejiang (CN)**

(\*\*) Term: **15 Years**

(21) Appl. No.: **29/603,234**

(22) Filed: **May 8, 2017**

(30) **Foreign Application Priority Data**

Nov. 25, 2016 (CN) ..... 2016 3 0575257

(51) **LOC (11) Cl.** ..... **12-11**

(52) **U.S. Cl.**  
USPC ..... **D12/111**

(58) **Field of Classification Search**  
USPC ..... D12/111, 117, 406, 407  
CPC . B62K 3/00; B62K 3/005; B62K 9/00; B62K 19/00; B62K 19/02; B62K 19/04; B62K 19/06; B62K 19/16  
See application file for complete search history.

(56) **References Cited**

**U.S. PATENT DOCUMENTS**

D491,111 S *	6/2004	Mizuta	.....	D12/111
D616,335 S *	5/2010	Kubota	.....	D12/111
D620,400 S *	7/2010	Haller	.....	D12/111
D621,302 S *	8/2010	Tanaka	.....	D12/111
D670,208 S *	11/2012	Frenzel	.....	D12/111
D672,690 S *	12/2012	Augustin	.....	D12/111
D686,540 S *	7/2013	Hinderhofer	.....	D12/111

D694,156 S *	11/2013	Taipalus	.....	D12/111
D727,214 S *	4/2015	Yang	.....	D12/111
D727,215 S *	4/2015	Yang	.....	D12/111
D741,221 S *	10/2015	Haller	.....	D12/111
D774,971 S *	12/2016	Lambri	.....	D12/111
D774,972 S *	12/2016	Lambri	.....	D12/111
9,616,966 B2 *	4/2017	Talavasek	.....	B62K 19/36
D797,003 S *	9/2017	Qiu	.....	D12/111
D797,609 S *	9/2017	Gonzalez-Gancedo Carrillo-Albornoz	.....	D12/111
D802,487 S *	11/2017	Petrov	.....	D12/111
D807,234 S *	1/2018	Chan	.....	D12/111
D811,275 S *	2/2018	Hendey	.....	D12/111
D811,946 S *	3/2018	Williams	.....	D12/111
D828,231 S *	9/2018	Yan	.....	D12/111

\* cited by examiner

*Primary Examiner* — Darlington Ly

(74) *Attorney, Agent, or Firm* — Volpe and Koenig, P.C.

(57) **CLAIM**

The ornamental design for a bicycle, as shown and described.

**DESCRIPTION**

The patent or application file contains at least one drawing executed in color. Copies of this patent or patent application publication with color drawing(s) will be provided by the Office upon request and payment of the necessary fee.

FIG. 1 is a perspective view of a bicycle showing the new design;

FIG. 2 is a front elevation view thereof;

FIG. 3 is a rear elevation view thereof;

FIG. 4 is a left side elevation view thereof;

FIG. 5 is a right side elevation view thereof;

FIG. 6 is a top plan view thereof; and,

FIG. 7 is a bottom plan view thereof.

**1 Claim, 7 Drawing Sheets**  
**(7 of 7 Drawing Sheet(s) Filed in Color)**





FIG. 1



FIG. 2



FIG. 3

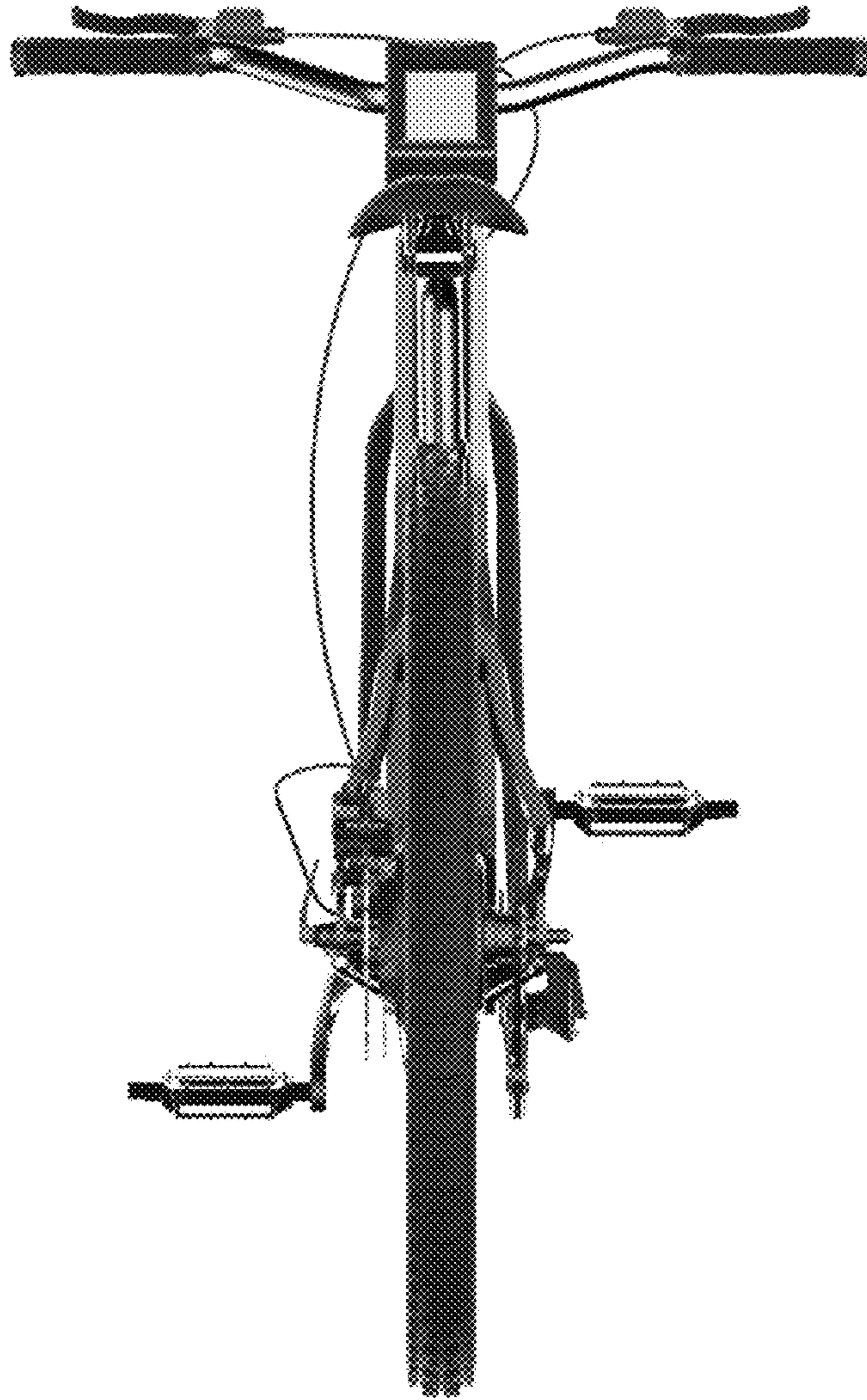


FIG. 4

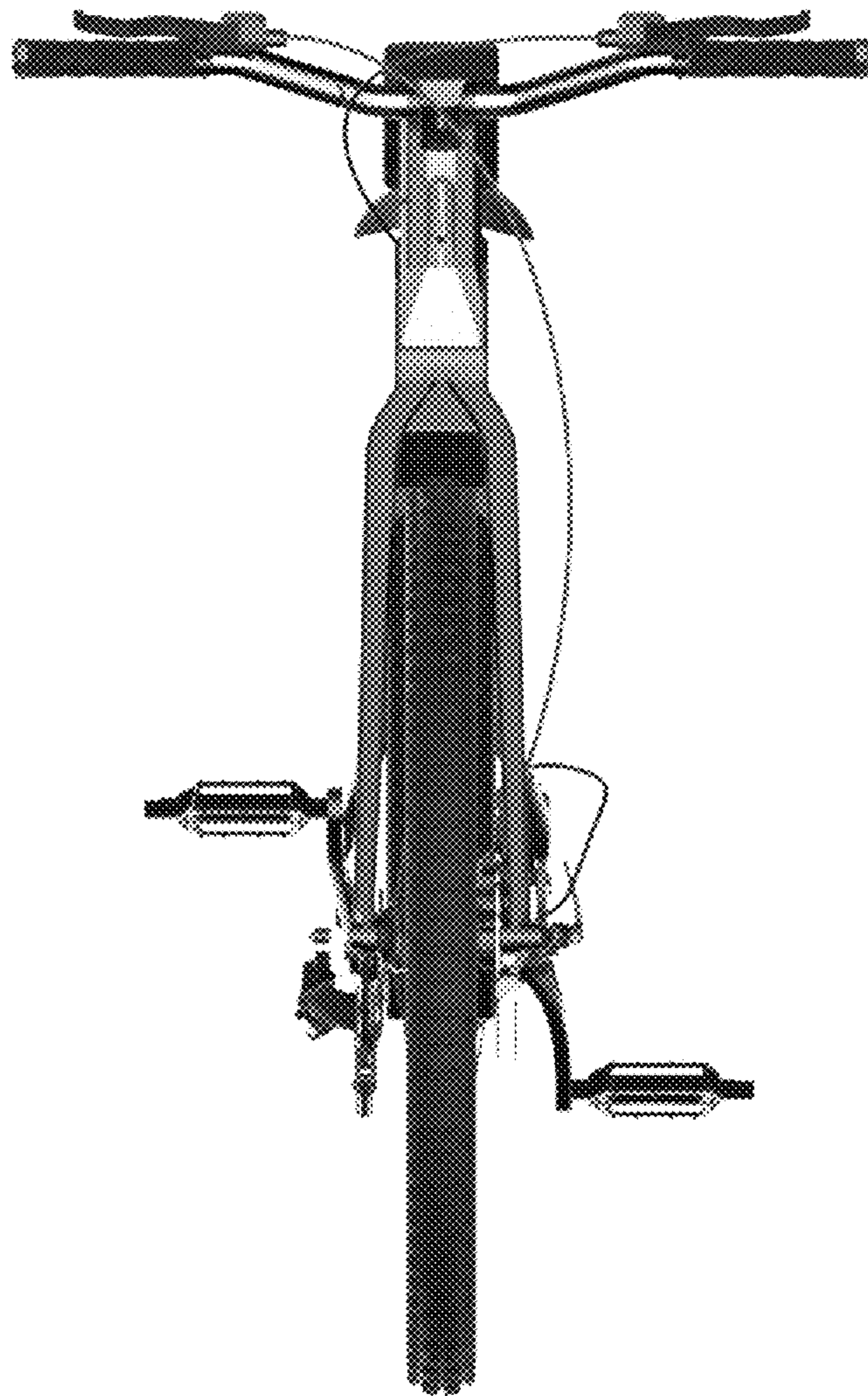


FIG. 5

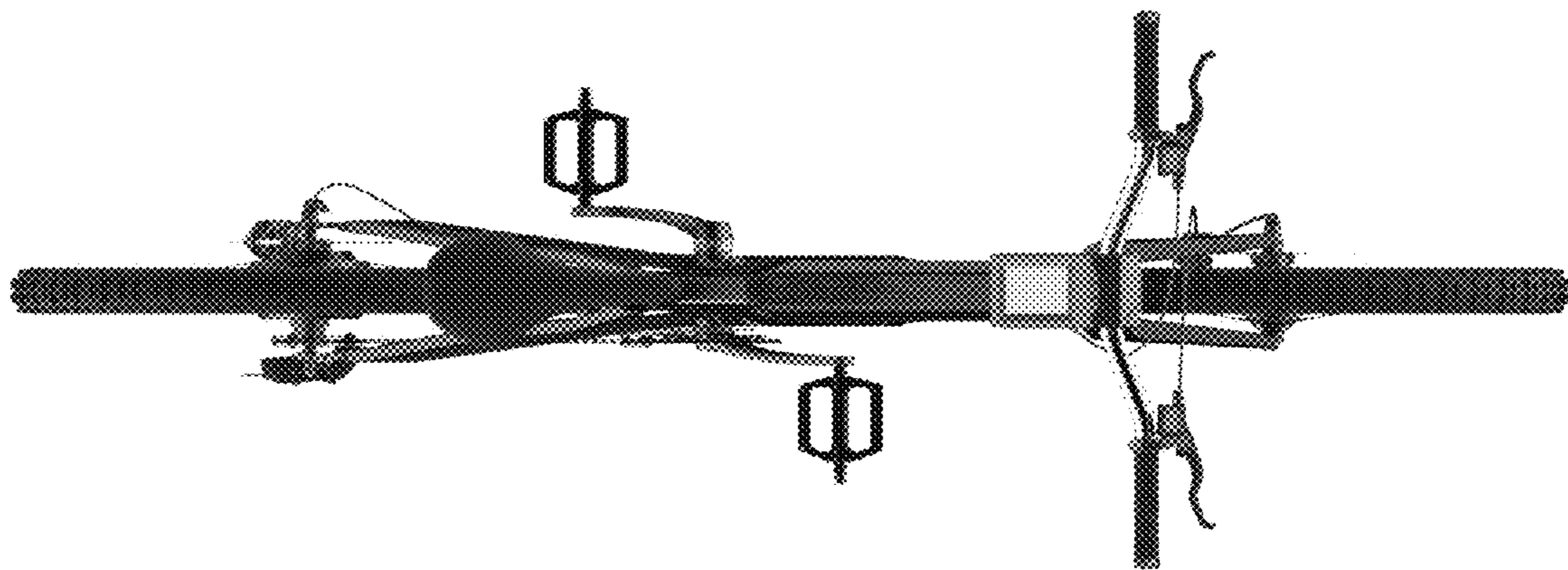


FIG. 6

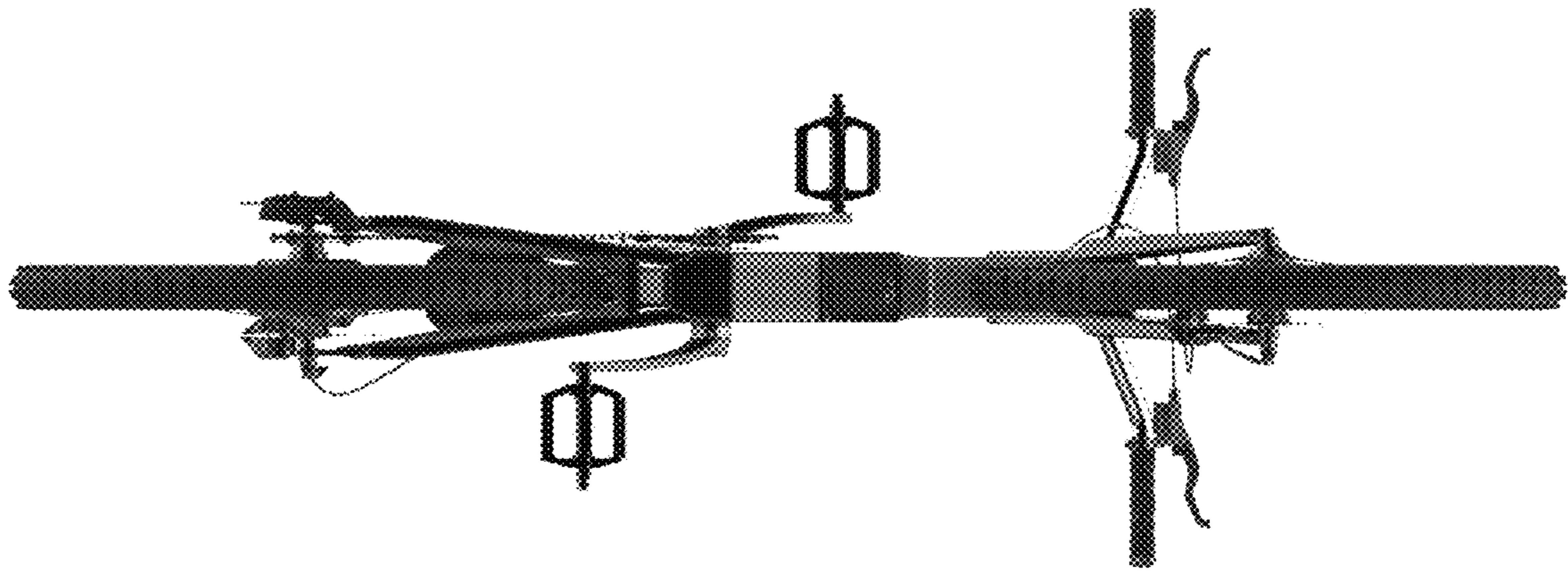


FIG. 7