



US00D847029S

(12) **United States Design Patent** (10) **Patent No.:** **US D847,029 S**
Ninov et al. (45) **Date of Patent:** **** Apr. 30, 2019**

- (54) **AUTOMOBILE BODY**
- (71) Applicants: **Deyan Ninov**, Royal Oak, MI (US);
Michael C Gillam, Oxford, MI (US);
Joseph S Dehner, Bloomfield Hills, MI (US)
- (72) Inventors: **Deyan Ninov**, Royal Oak, MI (US);
Michael C Gillam, Oxford, MI (US);
Joseph S Dehner, Bloomfield Hills, MI (US)
- (73) Assignee: **FCA US LLC**, Auburn Hills, MI (US)
- (**) Term: **15 Years**
- (21) Appl. No.: **29/626,530**
- (22) Filed: **Nov. 17, 2017**
- (51) **LOC (11) Cl.** **12-08**
- (52) **U.S. Cl.**
USPC **D12/98**
- (58) **Field of Classification Search**
USPC D12/86, 90-92, 88, 98; D21/424, 433,
D21/434, 533; 296/181.1, 181.5, 181.3,
296/183.1, 37.6
CPC B60R 9/06; B62D 35/00
See application file for complete search history.

D659,053 S *	5/2012	Ware	D12/98
D703,586 S *	4/2014	Platto	D12/98
D723,428 S *	3/2015	Sperling	D12/98
D725,001 S *	3/2015	McMahan	D12/98
D732,435 S *	6/2015	Mackay	D12/98
D735,082 S *	7/2015	Sperling	D12/98
D742,790 S *	11/2015	Noguchi	D12/98
D748,014 S *	1/2016	Ino	D12/98
D748,015 S *	1/2016	Ino	D12/98
D755,082 S *	5/2016	Gillam	D12/98
D755,083 S *	5/2016	Gillam et al.	
D759,544 S *	6/2016	Chung	D12/98
D803,727 S *	11/2017	Noone	D12/98
D805,438 S *	12/2017	Scott	D12/98

* cited by examiner

Primary Examiner — Melody N Brown
(74) *Attorney, Agent, or Firm* — Ralph E. Smith

(57) **CLAIM**

The ornamental design for an automobile body, as shown and described.

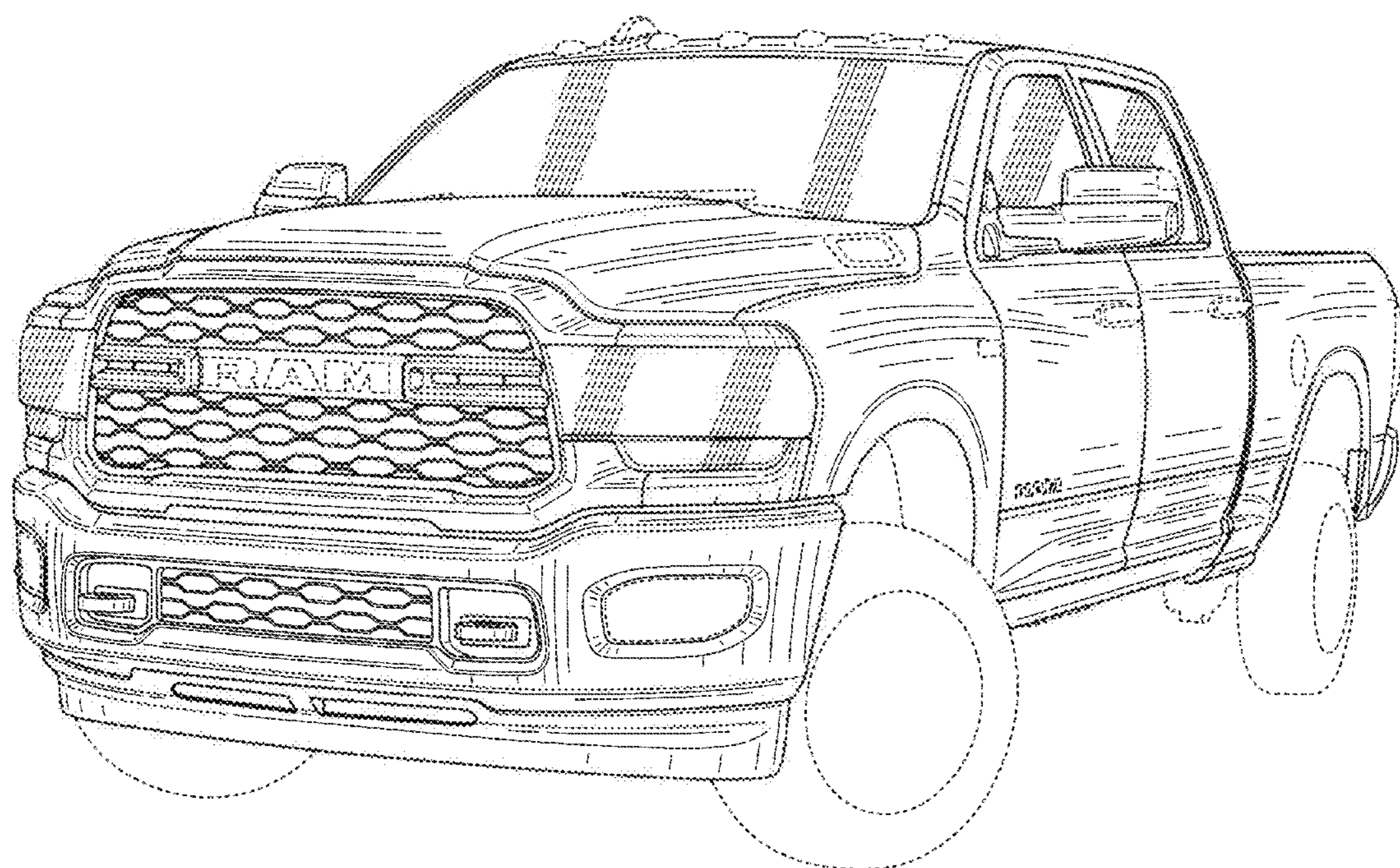
DESCRIPTION

FIG. 1 is a front perspective view of an automobile body showing our new design;
FIG. 2 is a rear perspective view thereof;
FIG. 3 is a front view thereof;
FIG. 4 is a rear view thereof;
FIG. 5 is a side view thereof; and,
FIG. 6 is a top plan view thereof.

It will be understood that the broken lines shown in the drawings illustrate portions of the automobile body that form no part of claimed design.

- (56) **References Cited**
U.S. PATENT DOCUMENTS
D586,699 S * 2/2009 Opfer D12/98
D588,501 S 3/2009 Krugger et al.
D589,407 S 3/2009 Krugger et al.

1 Claim, 6 Drawing Sheets



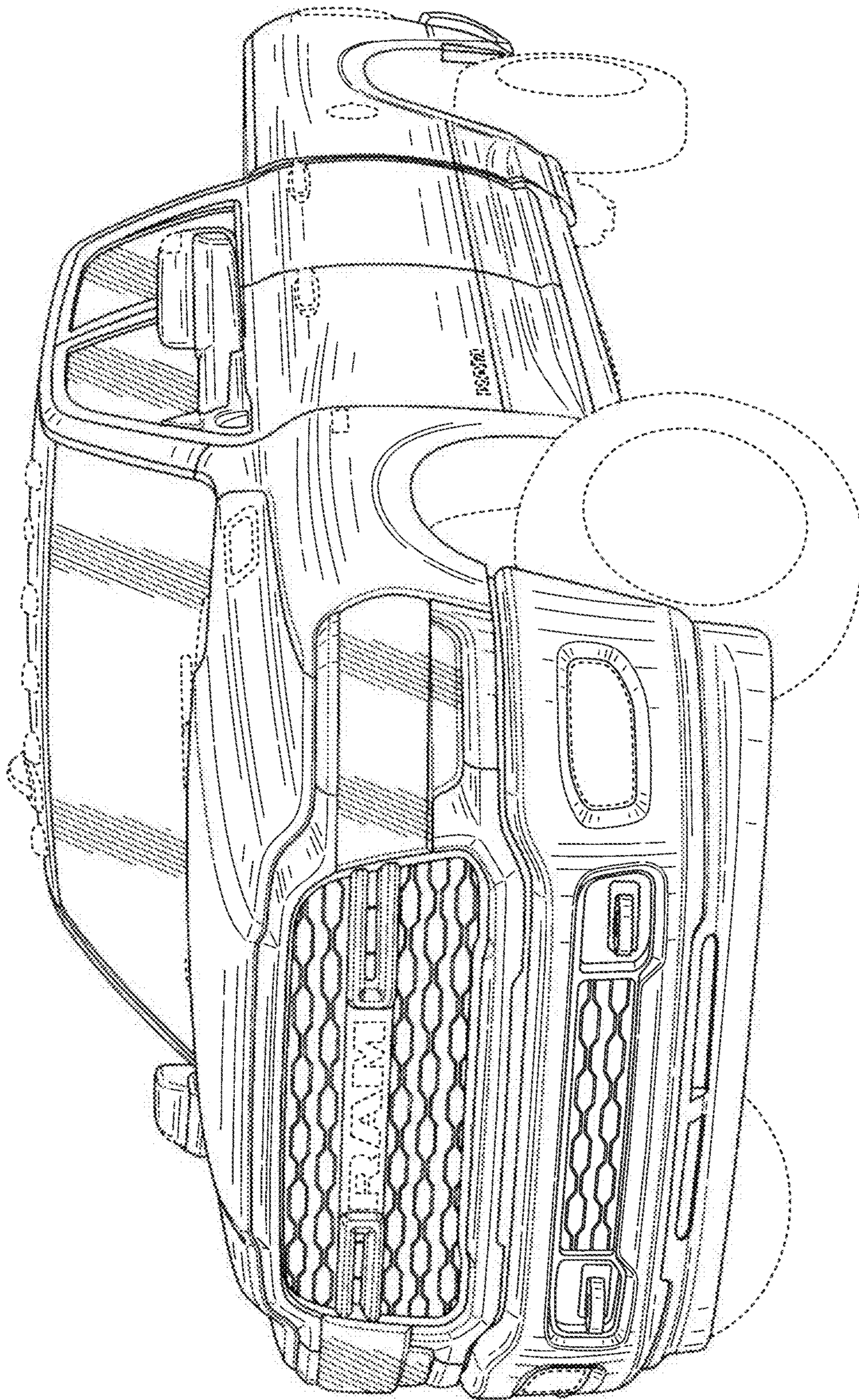


FIG. 1

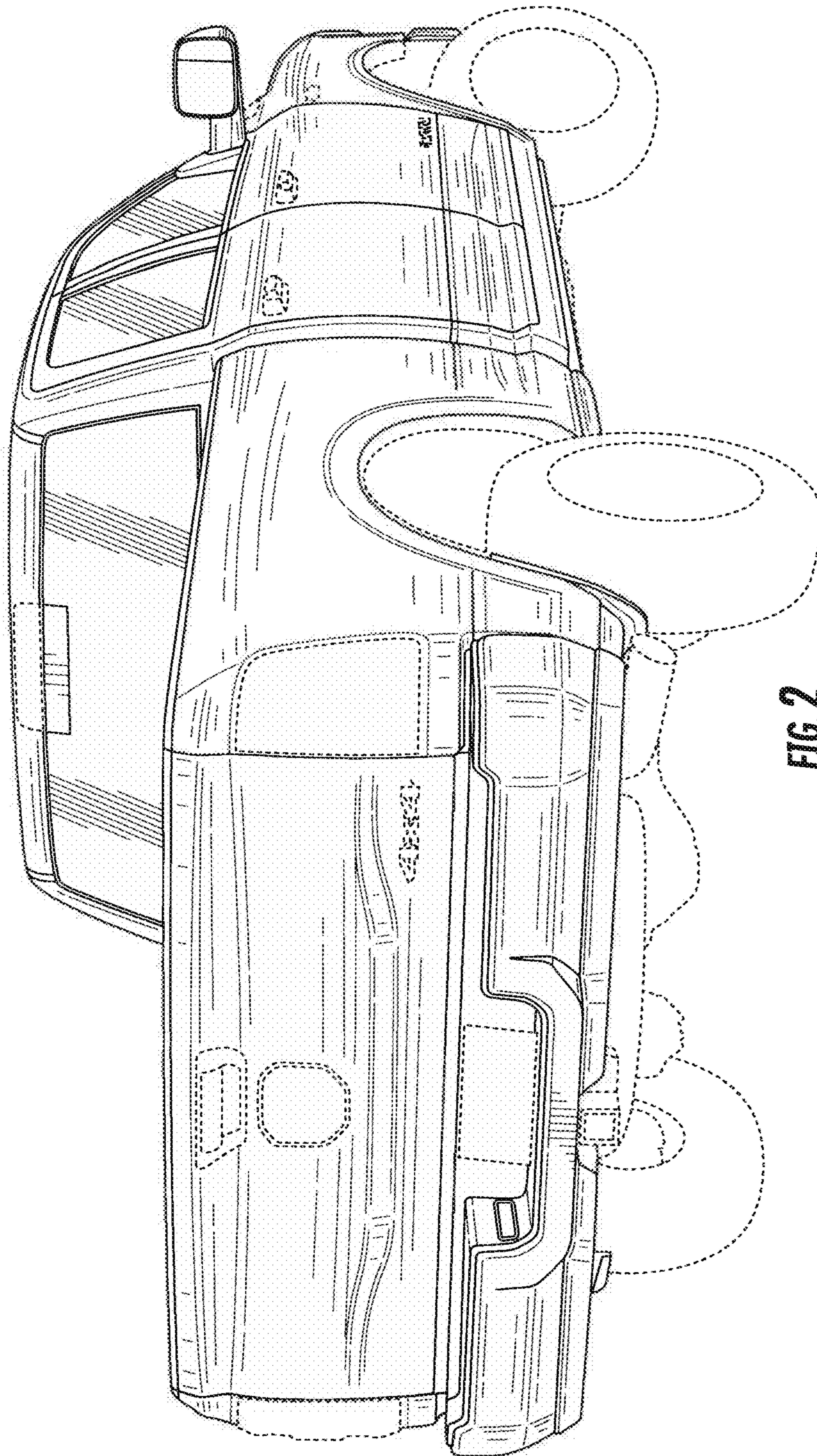


FIG. 2

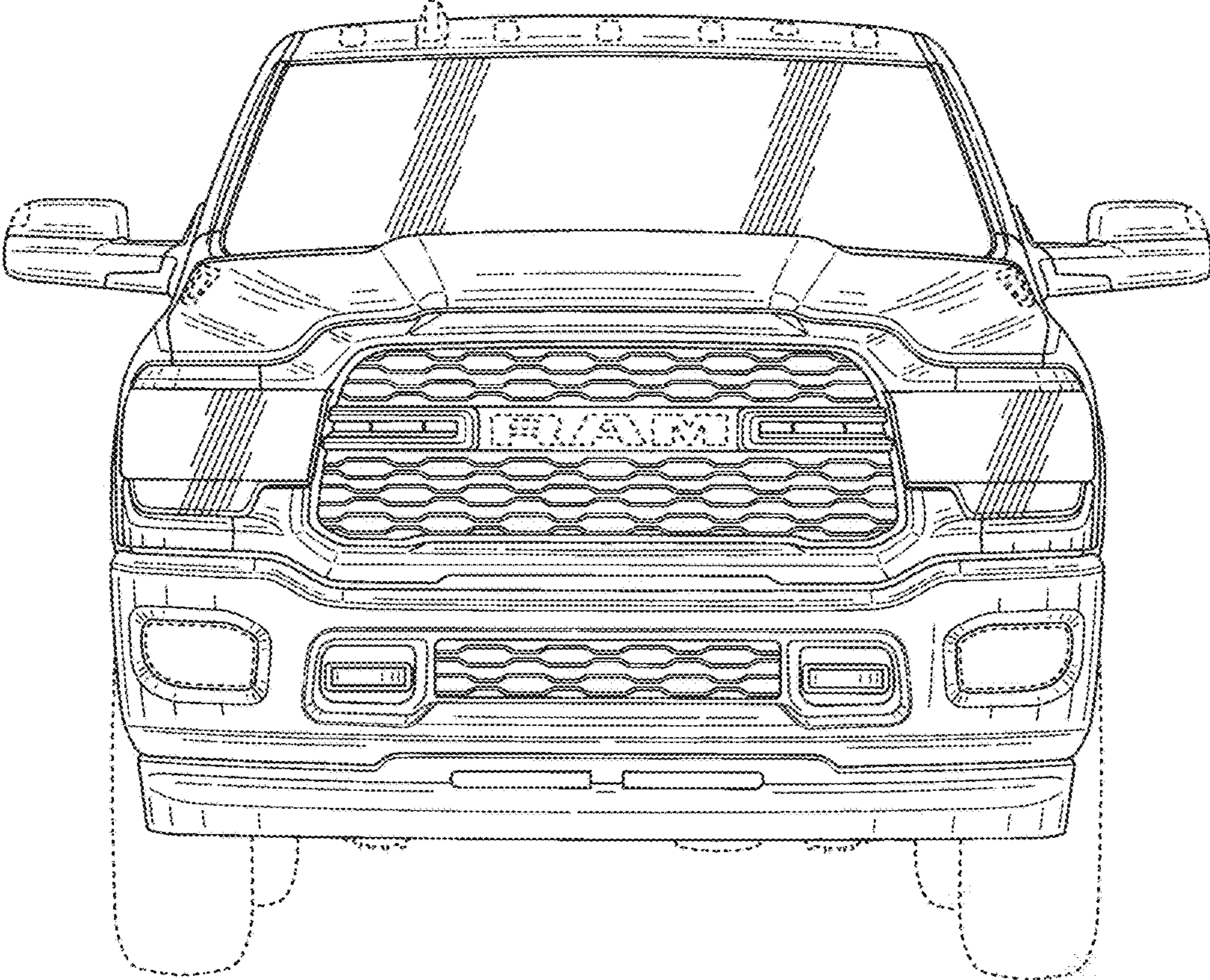


FIG. 3

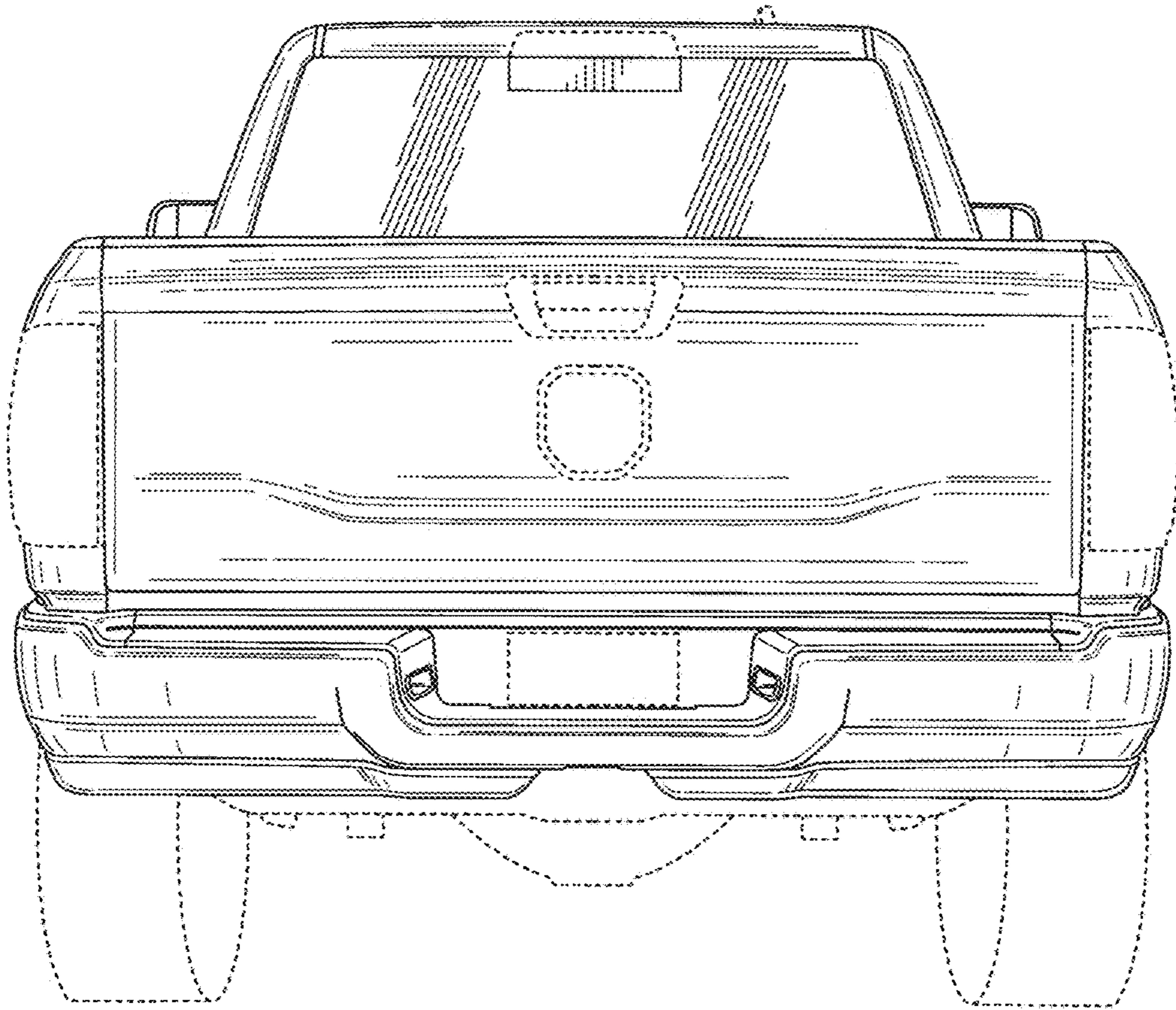


FIG. 4

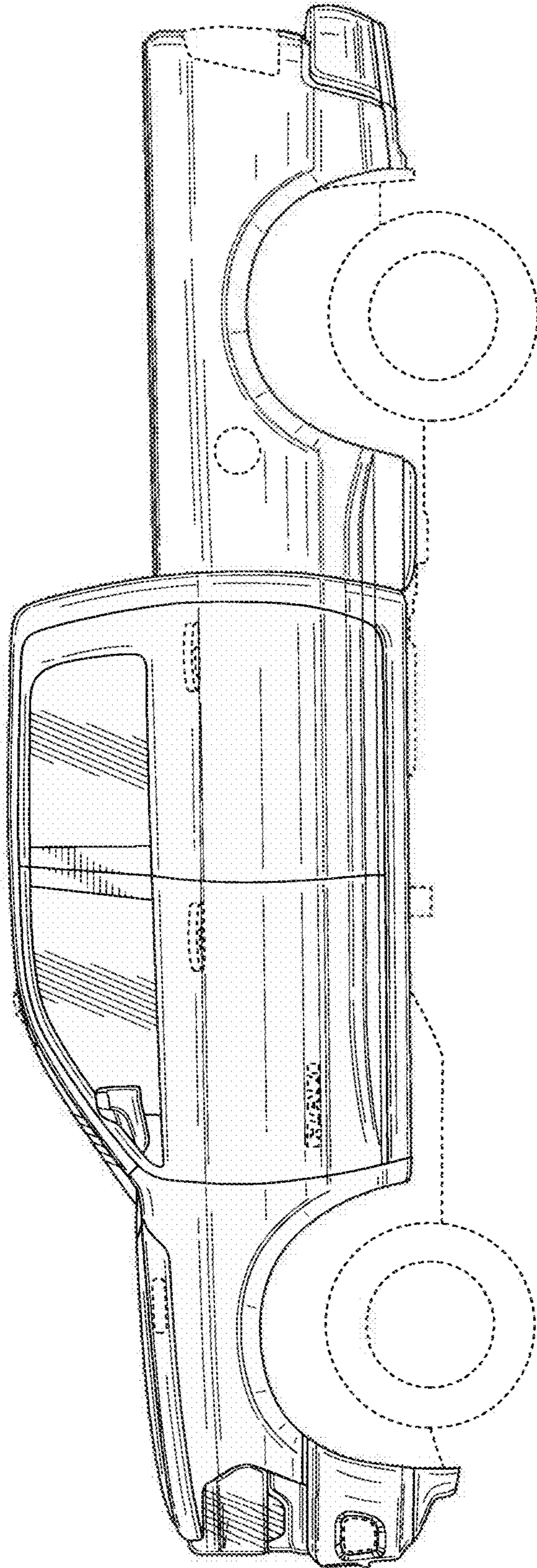


FIG. 5

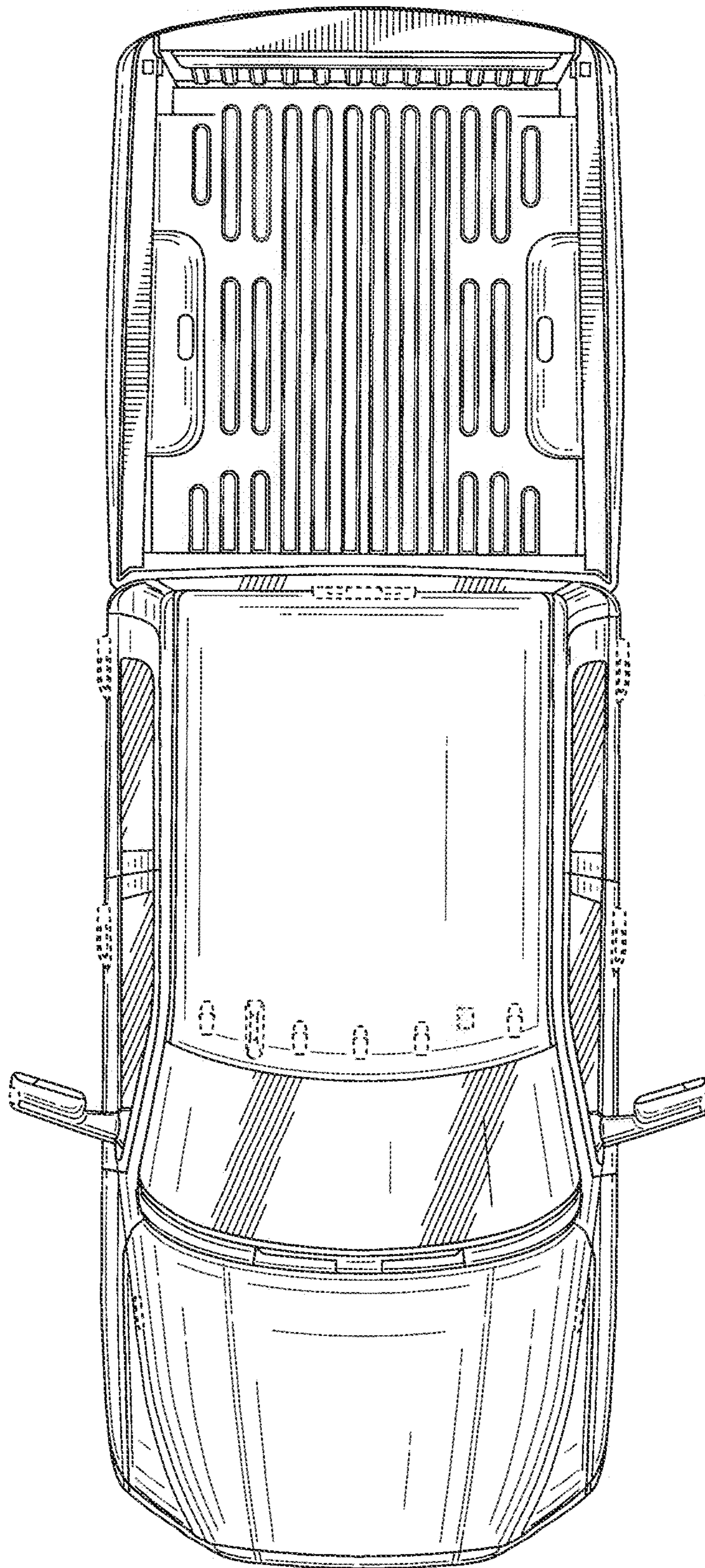


FIG. 6